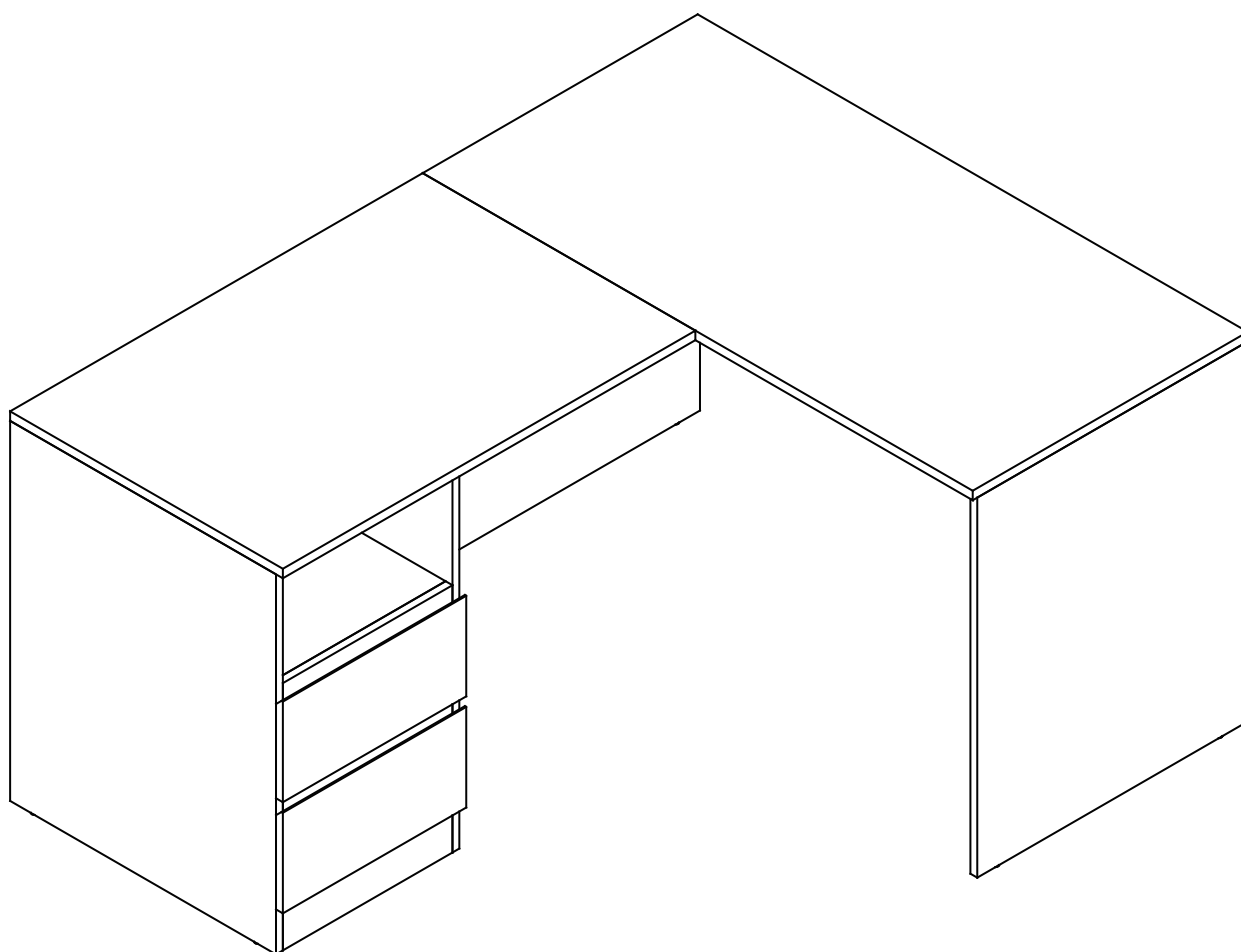


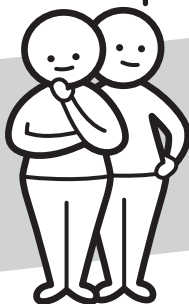


**Fantastic  
Furniture**

Version 1.0



**Two People**



**Required**

**Como**  
Desk Corner

[fantasticfurniture.com.au](http://fantasticfurniture.com.au)

Recommended weight capacity : 50kgs.

## Looks like you've found your Fantastic!

We're thrilled you've chosen Fantastic Furniture  
to help create a home you'll love



# Fantastic Furniture

### Love it? Share it!

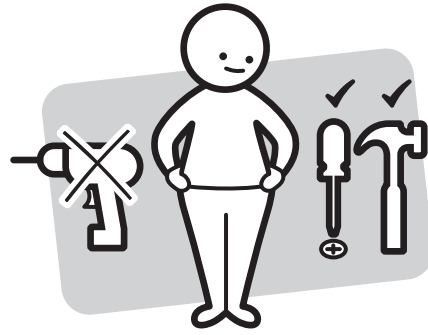
Fantastic buy! Share how it looks at home for your  
chance to win a \$250 Fantastic Furniture Gift Card!

**fantasticfurniture**

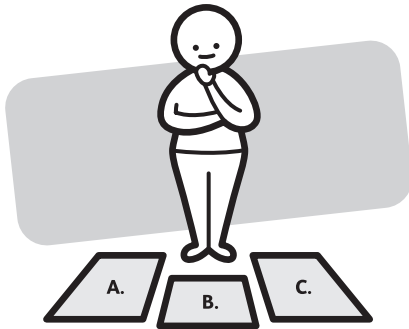
# Assembly Checklist



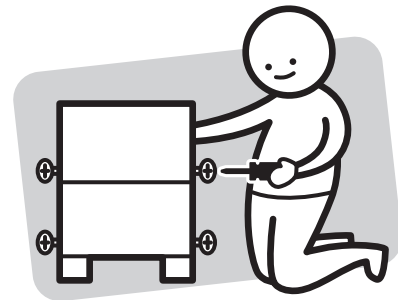
Read through the instructions carefully before you begin.



Make sure you have all the required tools. Never use power tools unless instructed.



Identify and lay out all of the components before you begin assembly.



Unless instructed, do not fully tighten screws until the item is fully assembled.

## Useful Information

- ! Never use power tools unless specifically instructed. They can damage your components or hardware if used incorrectly.
- ! The most common mistakes made during assembly are using the wrong hardware or getting components back to front.
- ! Always use a soft surface (such as carpet or cardboard) when assembling your product to avoid scratching or damaging the surface of the product.
- ! Bulky items such as wardrobes and bunk beds should be assembled in the room they will be used in as they may not fit through a door once assembled.
- ! Never use any glue until you are certain that the parts belong together.
- ! Periodically check and re-tighten all fasteners. Check the product care label or website for product care instructions.
- ! If you are having any difficulties assembling your product, missing any hardware or components please visit our website Help Centre for further assistance.
- ! Please see page 2 for any safety requirements or weight restrictions.

# What you need

## to assemble the product



DO NOT USE

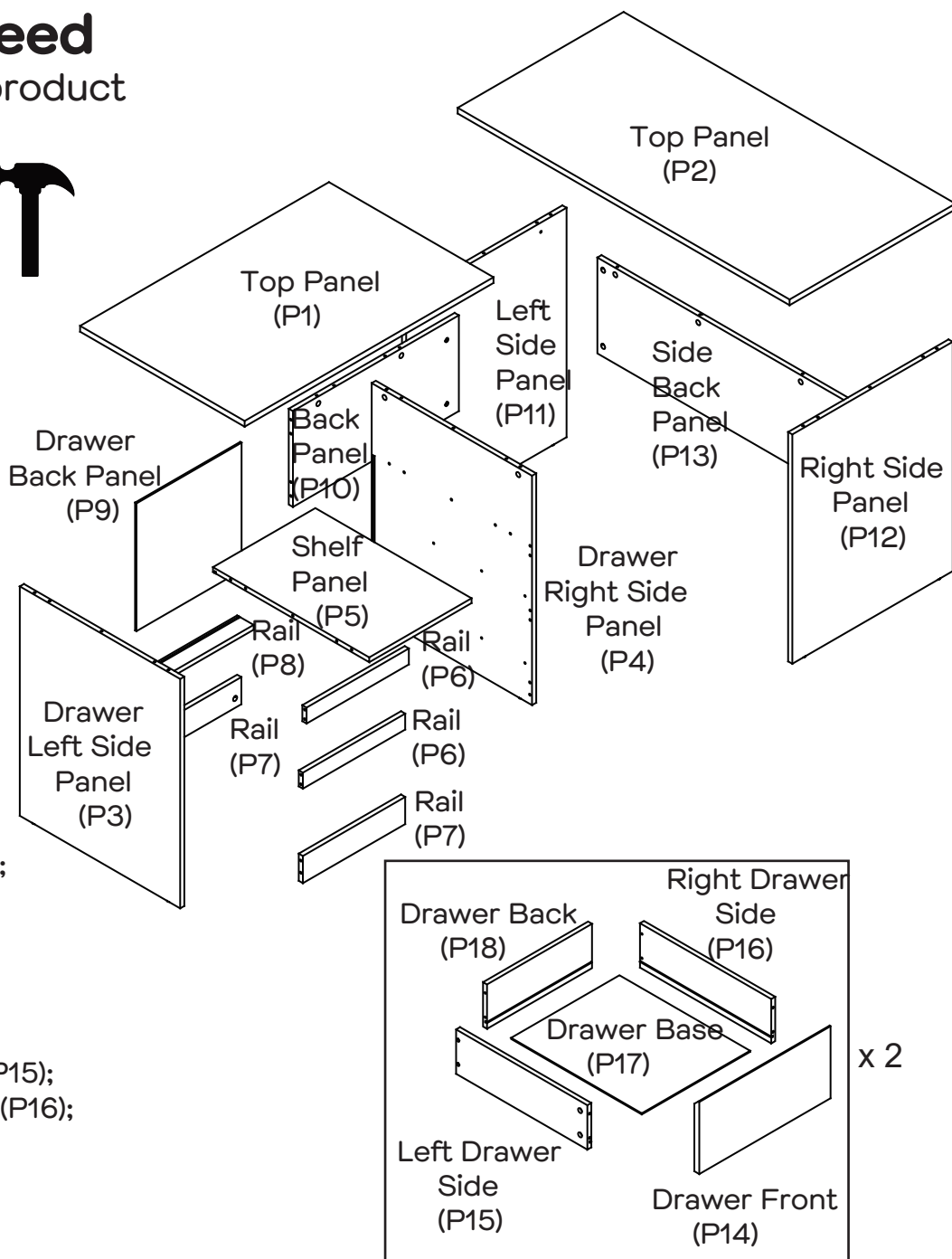


### Other tools you need:

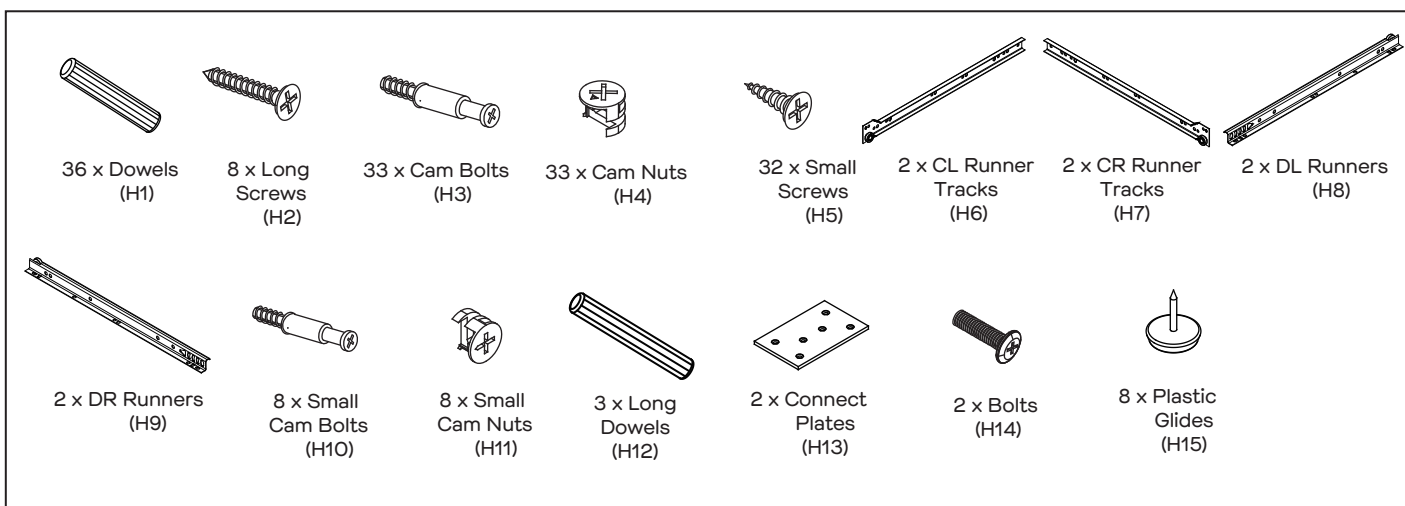
Phillips head screwdriver;  
Hammer

### Parts list

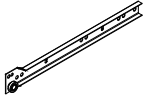


Top Panel (P1);  
Top Panel (P2);  
Drawer Left Side Panel (P3);  
Drawer Right Side Panel (P4);  
Shelf Panel (P5);  
2 x Rail (P6);  
2 x Rail (P7);  
Rail (P8);  
Drawer Back Panel (P9);  
Back Panel (P10);  
Left Side Panel (P11);  
Right Side Panel (P12);  
Side Back Panel (P13);  
2 x Drawer Fronts (P14);  
2 x Left Drawer Sides (P15);  
2 x Right Drawer Sides (P16);  
2 x Drawer Bases (P17);  
2 x Drawer Backs (P18)

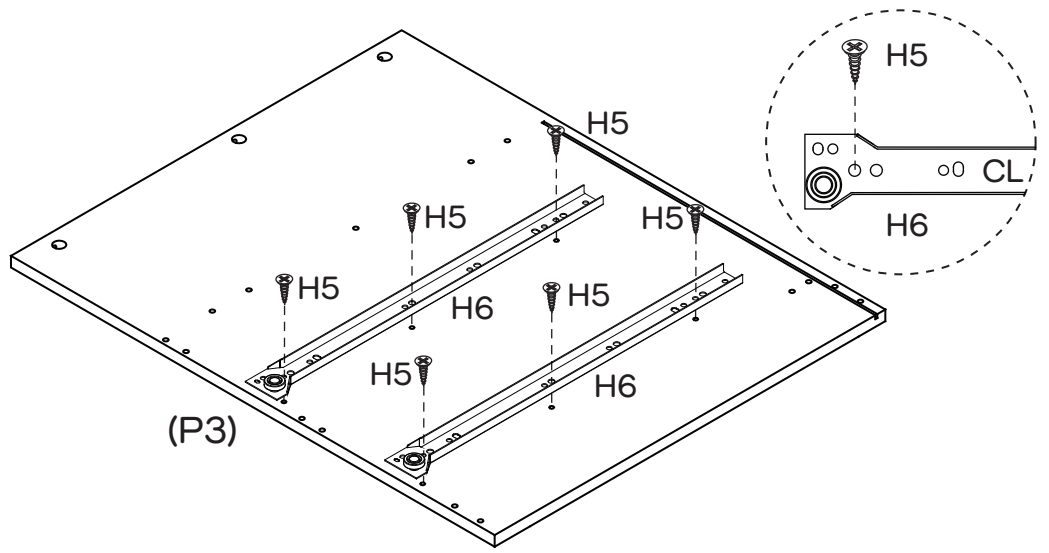


### Hardware pack



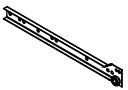


# Step 1

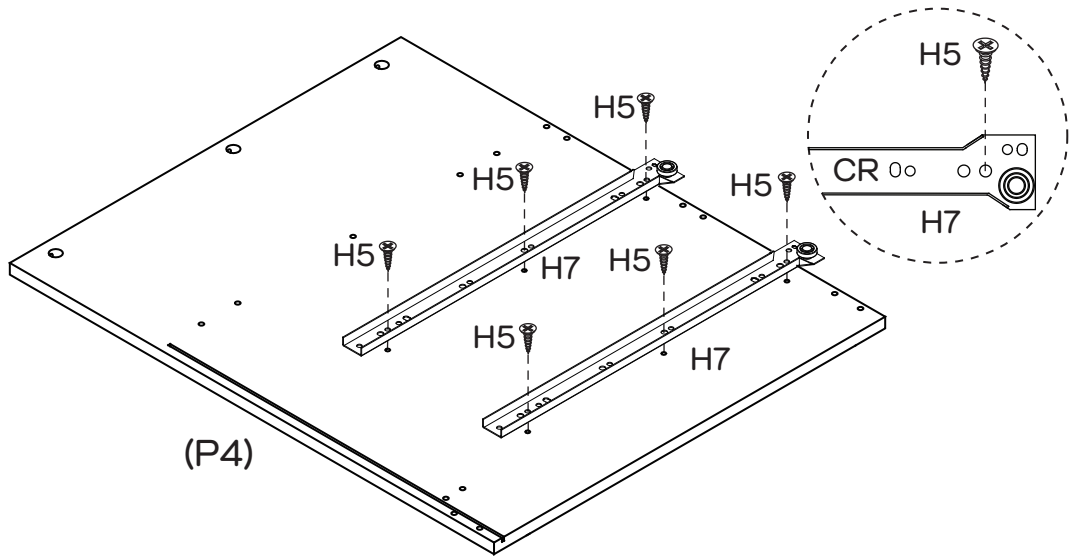
You will need	
	
2 x CL Runner Tracks (H6)	6 x Small Screws (H5)
	
Phillips Head Screwdriver	



Attach 2 x CL Runner Tracks (H6) to Drawer Left Side Panel (P3) with 6 x Small Screws (H5) by tightening with the Phillips Head Screwdriver.

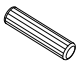
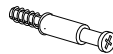

# Step 2

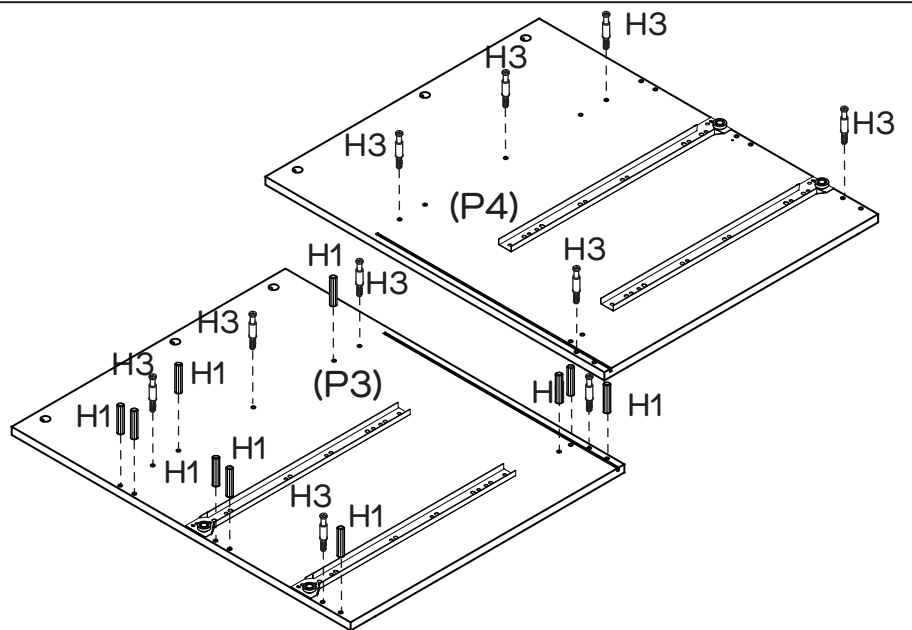
You will need	
	
2 x CR Runner Tracks (H7)	6 x Small Screws (H5)
	
Phillips Head Screwdriver	



Attach 2 x CR Runner Tracks (H7) to Drawer Right Side Panel (P4) with 6 x Small Screws (H5) by tightening with the Phillips Head Screwdriver.

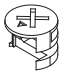

# Step 3

You will need	
	
10 x Dowels (H1)	10 x Cam Bolts (H3)
	
Phillips Head Screwdriver	

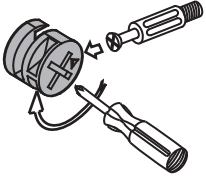


Insert 10 x Dowels (H1) into Drawer Left Side Panel (P3) as shown. Attach 10 x Cam Bolts (H3) to Drawer Left & Right Side Panels (P3&P4) by tightening with the Phillips Head Screwdriver.

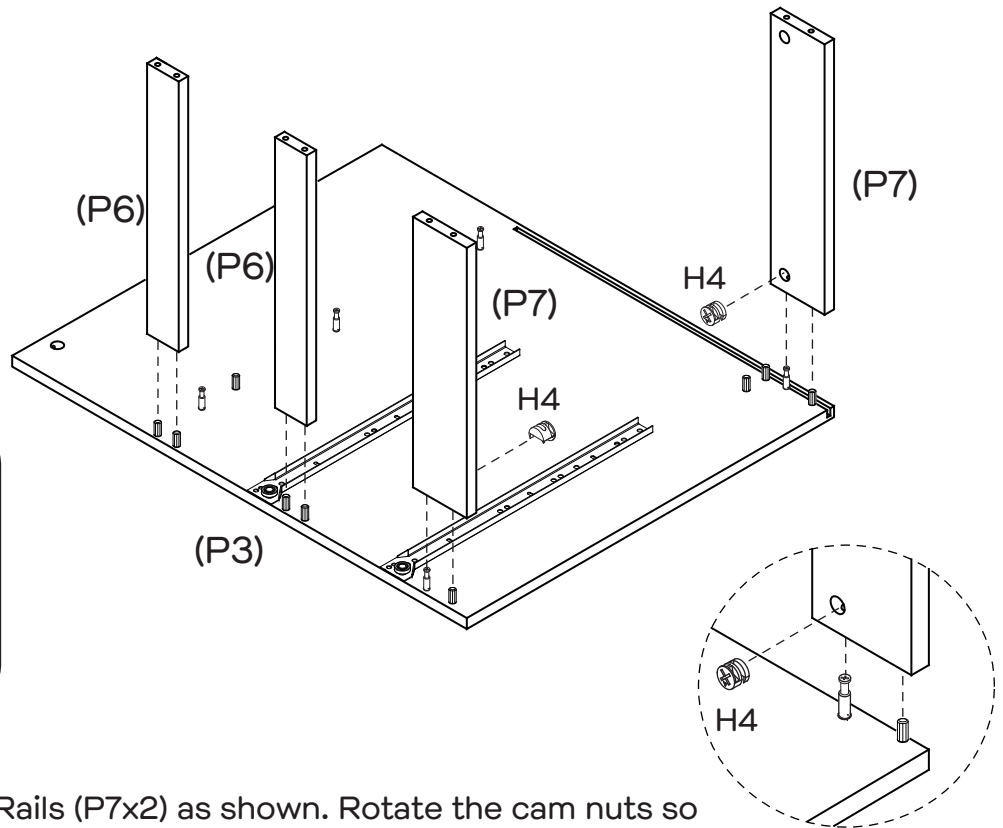
## Step 4

You will need	
	
2 x Cam Nuts (H4)	Phillips Head Screwdriver

This is how a cam nut works.....

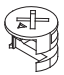



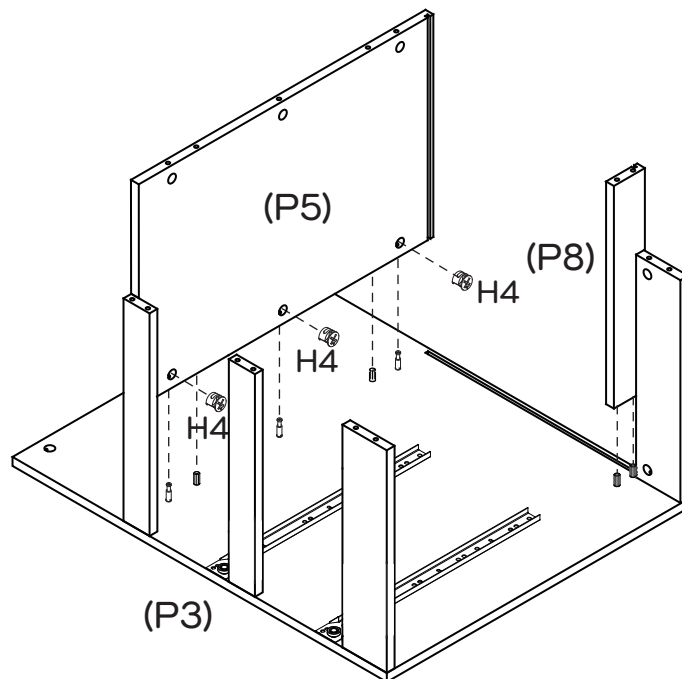
The head of the cam bolt goes into the open mouth of the cam nut. You then turn the cam nut so it tightens over the bolt.



Insert 2 x Cam Nuts (H4) into Rails (P7x2) as shown. Rotate the cam nuts so the arrows point towards the incoming cam bolts. Attach Rails (P7x2) to Drawer Left Side Panel (P3) by tightening all cam nuts with the Phillips Head Screwdriver. Attach Rails (P6x2) to Drawer Left Side Panel (P3) as shown.

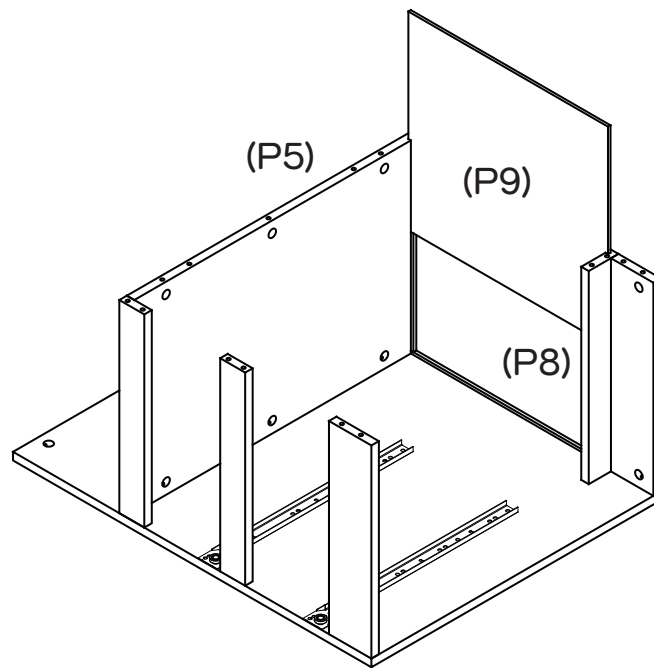
## Step 5

You will need	
	
3 x Cam Nuts (H4)	Phillips Head Screwdriver



Insert 3 x Cam Nuts (H4) into Shelf Panel (P5). Rotate the cam nuts so the arrows point towards the incoming cam bolts. Attach Shelf Panel (P5) to Drawer Left Side Panel (P3) by tightening all cam nuts with the Phillips Head Screwdriver. Attach Rail (P8) to Drawer Left Side Panel (P3) as shown.

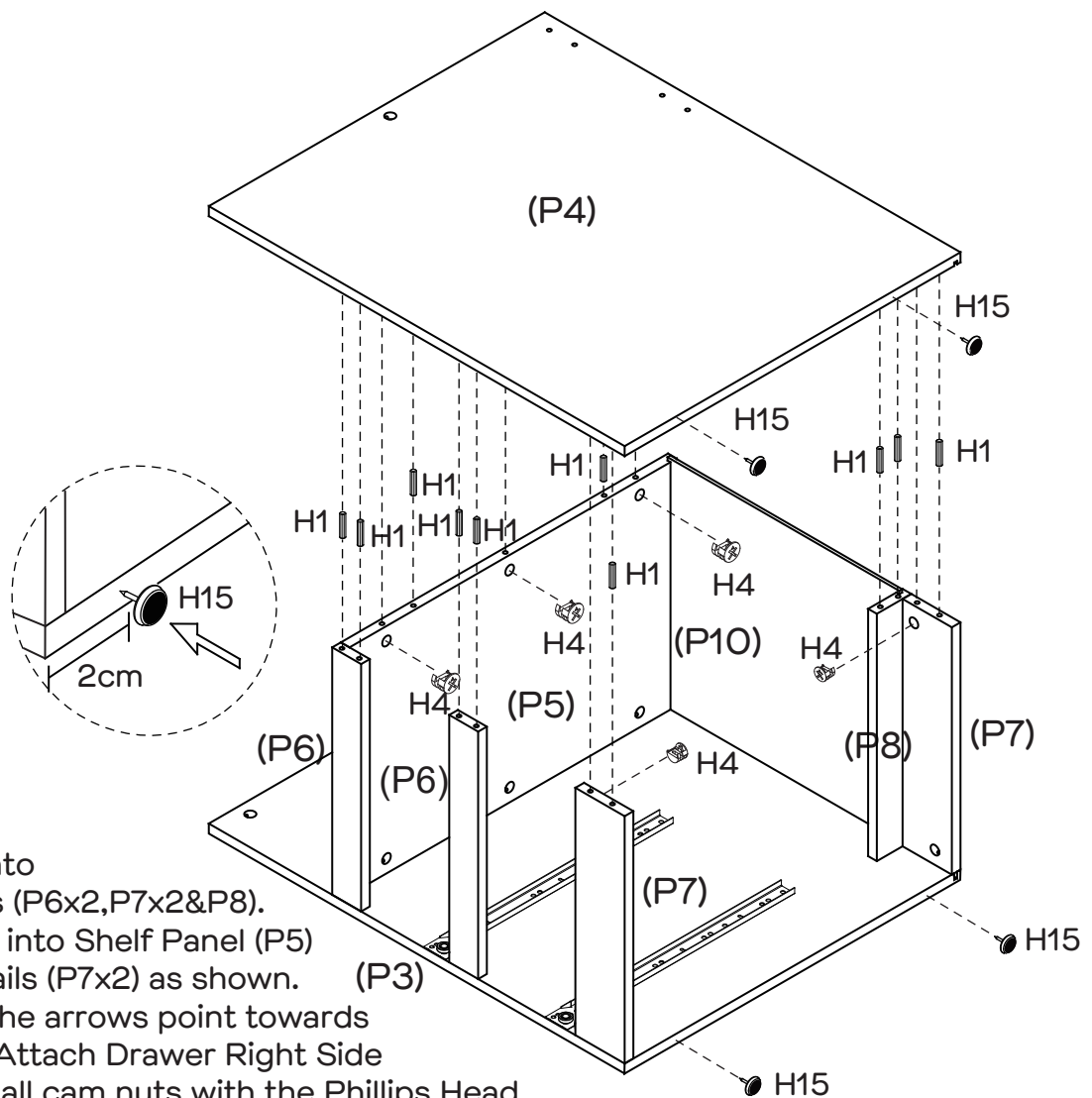
## Step 6



Slide Drawer Back Panel (P9) into the grooves of Shelf Panel (P5) and Rail (P8). Ensure the laminated side of the Back Panel is facing outwards.

## Step 7

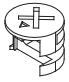



You will need	
5 x Cam Nuts (H4)	4 x Plastic Glides (H15)
10 x Dowels (H1)	Hammer
Phillips Head Screwdriver	

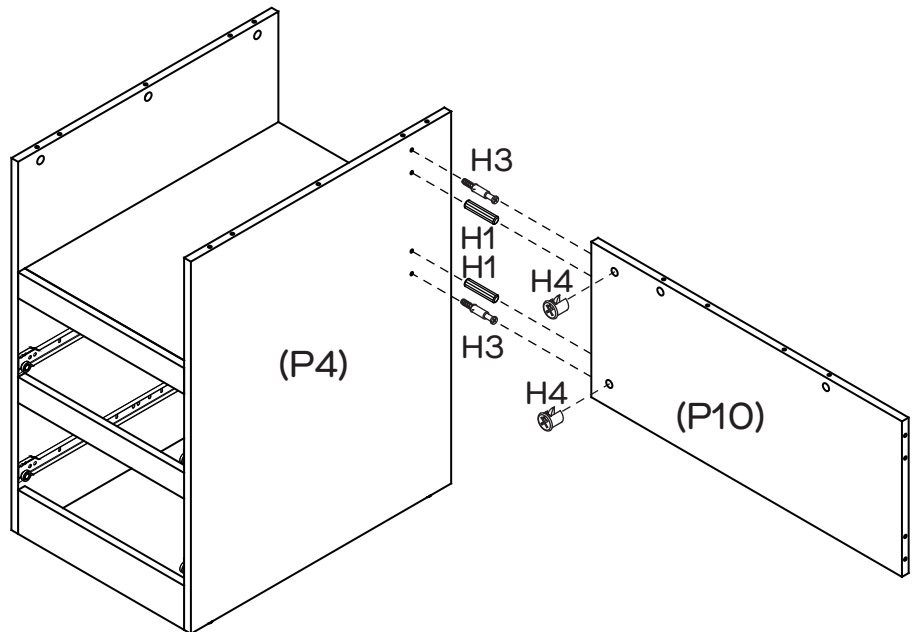


Insert 10 x Dowels (H1) into Shelf Panel (P5) and Rails (P6x2, P7x2 & P8). Insert 3 x Cam Nuts (H4) into Shelf Panel (P5) and 2 x Cam Nuts into Rails (P7x2) as shown. Rotate the cam nuts so the arrows point towards the incoming cam bolts. Attach Drawer Right Side Panel (P4) by tightening all cam nuts with the Phillips Head Screwdriver. Secure 4 x Plastic Glides (H15) to the bottom of Drawer Left & Right Side Panels (P3 & P4) with the Hammer, approximately 2cm from the end of each panel as shown.

[fantasticfurniture.com.au](http://fantasticfurniture.com.au)





## Step 8

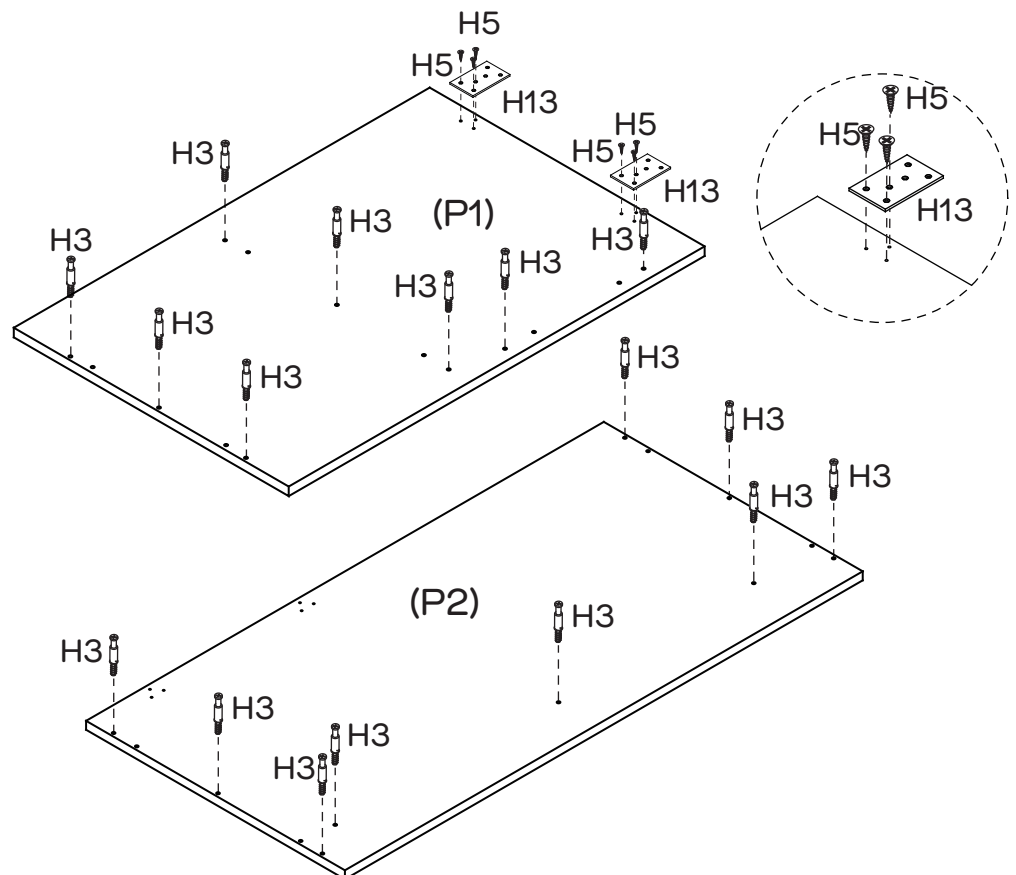
You will need	
	
2 x Cam Nuts (H4)	2 x Cam Bolts (H3)
	
2 x Dowels (H1)	Phillips Head Screwdriver



Stand the partially assembled drawer unit upright as shown. Insert 2 x Dowels (H1) into Drawer Right Side Panel (P4) and attach 2 x Cam Bolts (H3) by tightening with the Phillips Head Screwdriver. Insert 2 x Cam Nuts (H4) into Back Panel (P10) as shown. Rotate the cam nuts so the arrows point towards the incoming cam bolts. Attach Back Panel (P10) to Drawer Right Side Panel (P4) by tightening cam nuts with the Phillips Head Screwdriver.

## Step 9


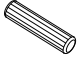

You will need	
	
17 x Cam Bolts (H3)	2 x Connect Plates (H13)
	
6 x Small Screws (H5)	Phillips Head Screwdriver



Attach 17 x Cam Bolts (H3) to Top Panels (P1&P2) by tightening with the Phillips Head Screwdriver. Attach 2 x Connect Plates (H13) to Top Panel (P1) with 6 x Small Screws (H5) by tightening with the Phillips Head Screwdriver.



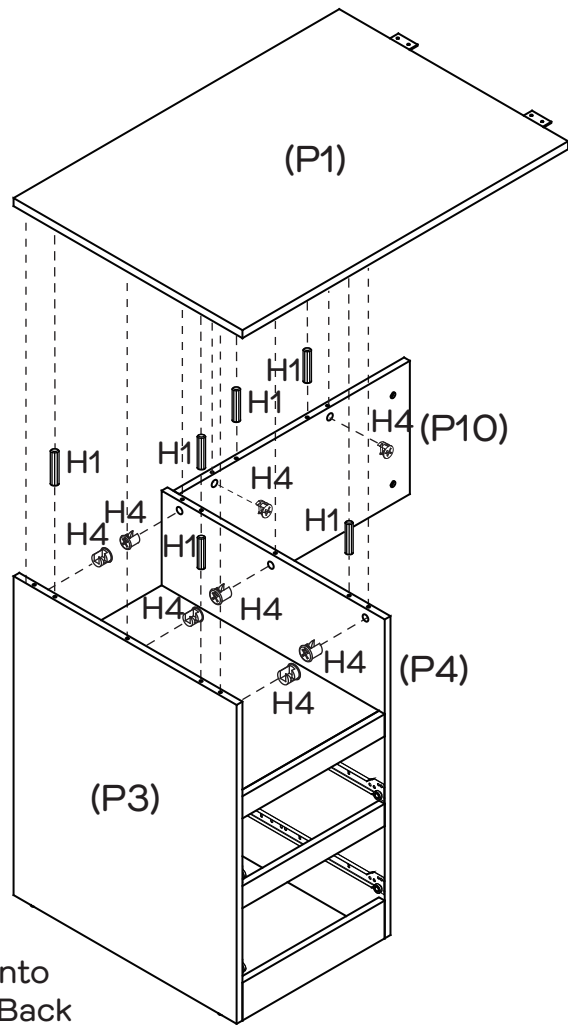
# Step 10

You will need	
	
8 x Cam Nuts (H4)	6 x Dowels (H1)
	
Phillips Head Screwdriver	

Two People







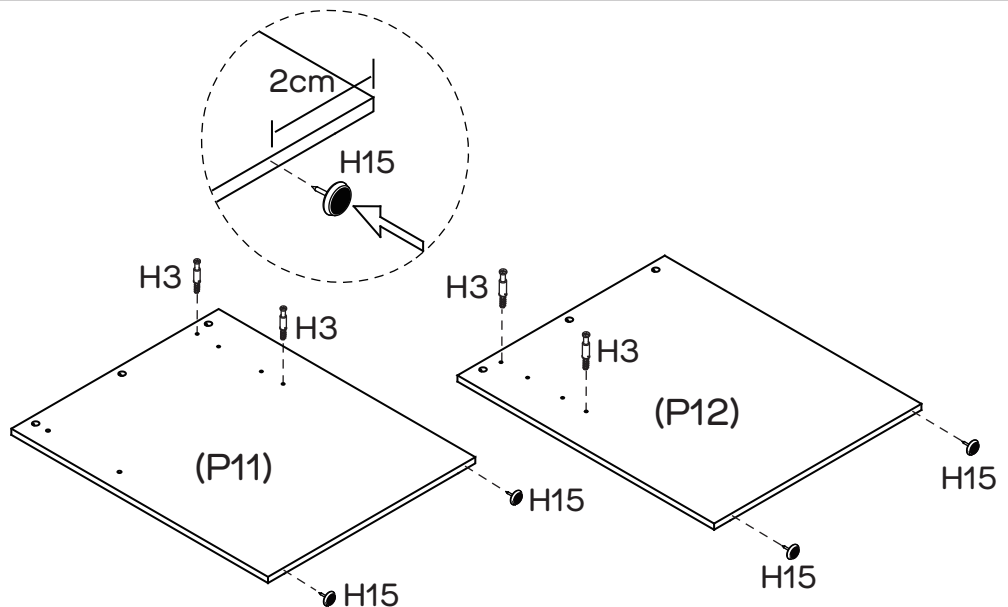
Required



Insert 6 x Dowels (H1) and 8 x Cam Nuts (H4) into Drawer Left & Right Side Panels (P3&P4) and Back Panel (P10) as shown. Rotate the cam nuts so the arrows point towards the incoming cam bolts. Attach Top Panel (P1) to partially assembled drawer unit by tightening cam nuts with the Phillips Head Screwdriver. Ensure the Top Panel is sitting flush with the unit before securing.


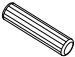

# Step 11

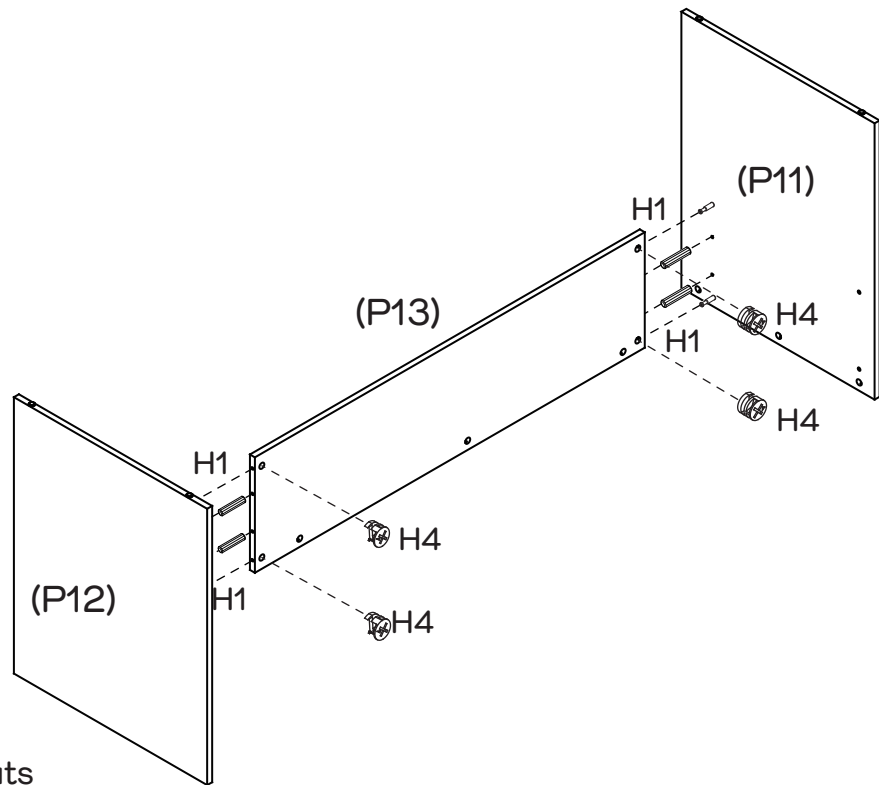
You will need	
	
4 x Cam Bolts (H3)	4 x Plastic Glides (H15)
	
Phillips Head Screwdriver	Hammer



Attach 4 x Cam Bolts (H3) to Left & Right Side Panels (P11&12). Secure 4 x Plastic Glides (H15) to the bottom of Left & Right Side Panels (P11&P12) with the Hammer, approximately 2cm from the end of each panel as shown.


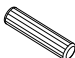

## Step 12

You will need	
	
4 x Cam Nuts (H4)	4 x Dowels (H1)
	
Phillips Head Screwdriver	



Insert 4 x Dowels (H1) & 4 x Cam Nuts (H4) into Side Back Panel (P13). Rotate the cam nuts so the arrows point towards the incoming cam bolts. Secure Left & Right Side Panels (P11&P12) to Side Back Panel (P13) by tightening cam nuts with the Phillips Head Screwdriver.

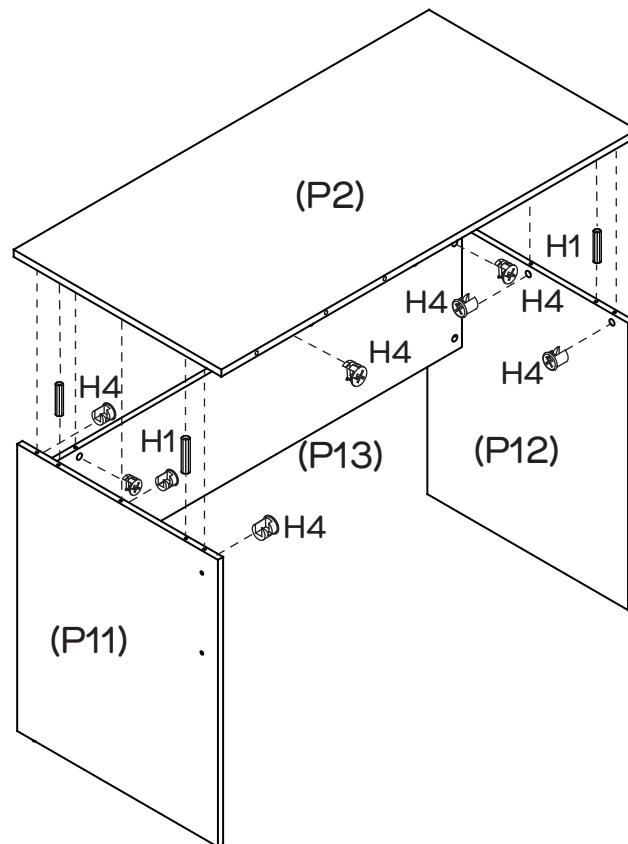
## Step 13

You will need	
	
9 x Cam Nuts (H4)	4 x Dowels (H1)
	
Phillips Head Screwdriver	

Two People

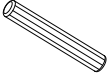

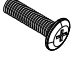



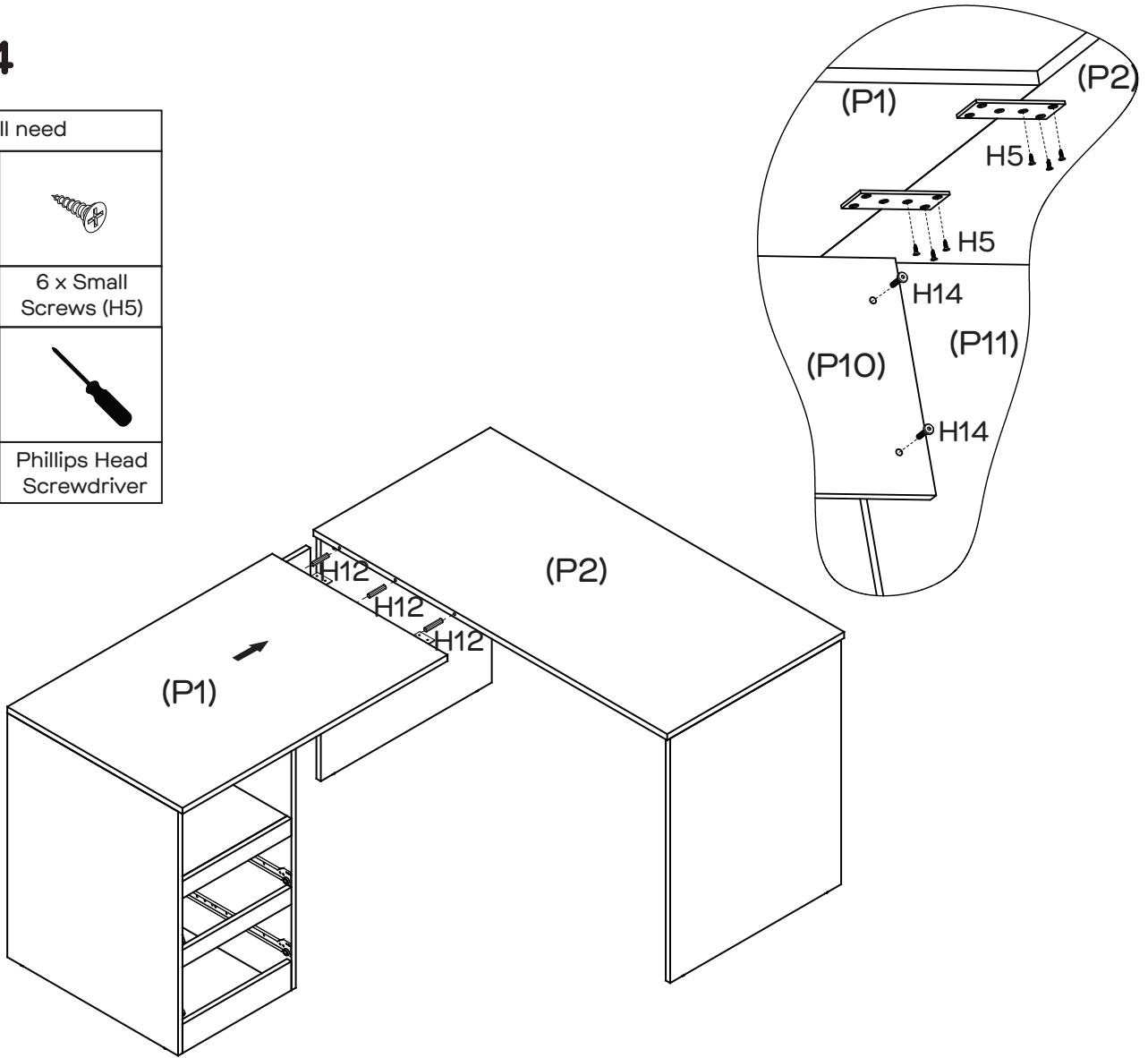
Required



Carefully turn the partially assembled desk unit upright as shown. Insert 4 x Dowels (H1) into Left & Right Side Panels (P11&P12) and insert 9 x Cam Nuts (H4) into Side Back Panel (P13) and Left & Right Side Panels (P11&P12) as shown. Rotate the cam nuts so the arrows point towards the incoming cam bolts. Attach Top Panel (P2) by tightening cam nuts with the Phillips Head Screwdriver.



# Step 14

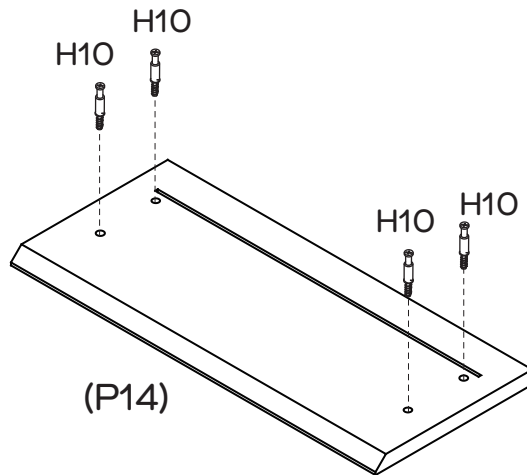
You will need	
	
3 x Long Dowels (H12)	6 x Small Screws (H5)
	
2 x Bolts (H14)	Phillips Head Screwdriver



Insert 3 x Long Dowels (H12) into Top Panel (P1) and attach Top Panels (P1&P2) by securing 2 x Connect Plates (H13) with 6 x Small Screws (H5) by tightening with the Phillips Head Screwdriver. Attach Back Panel (P10) to Left Side Panel (P11) with 2 x Bolts (H14) by tightening with the Phillips Head Screwdriver.



# Step 15

You will need	
	
4 x Small Cam Bolts (H10)	Phillips Head Screwdriver

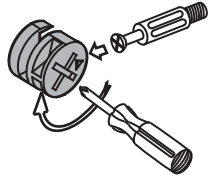


Attach 4 x Small Cam Bolts (H10) to Drawer Front (P14) by tightening with the Phillips Head Screwdriver.

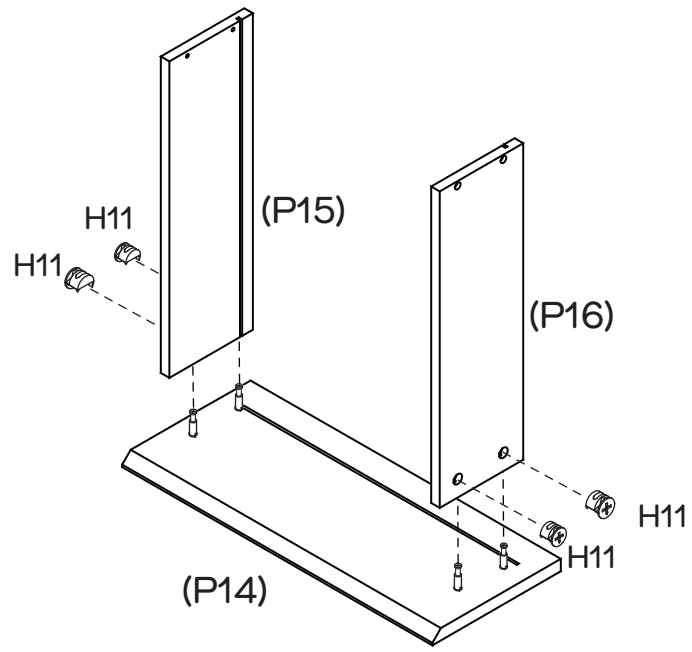
# Step 16

You will need	
	
4 x Small Cam Nuts (H11)	Phillips Head Screwdriver

This is how a cam nut works.....

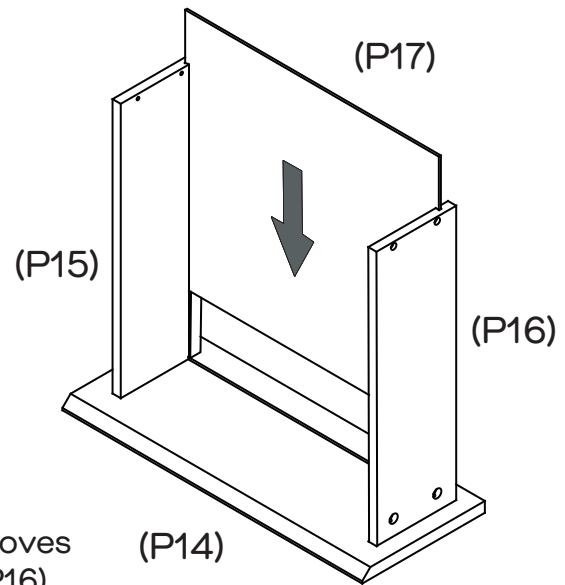


The head of the cam bolt goes into the open mouth of the cam nut. You then turn the cam nut so it tightens over the bolt.





Insert 4 x Small Cam Nuts (H11) into Left & Right Drawer Sides (P15&P16) as shown. Rotate the cam nuts so the arrows point towards the incoming cam bolts. Attach Left & Right Drawer Sides (P15&P16) to Drawer Front (P14) by tightening the cam nuts with the Phillips Head Screwdriver.

# Step 17

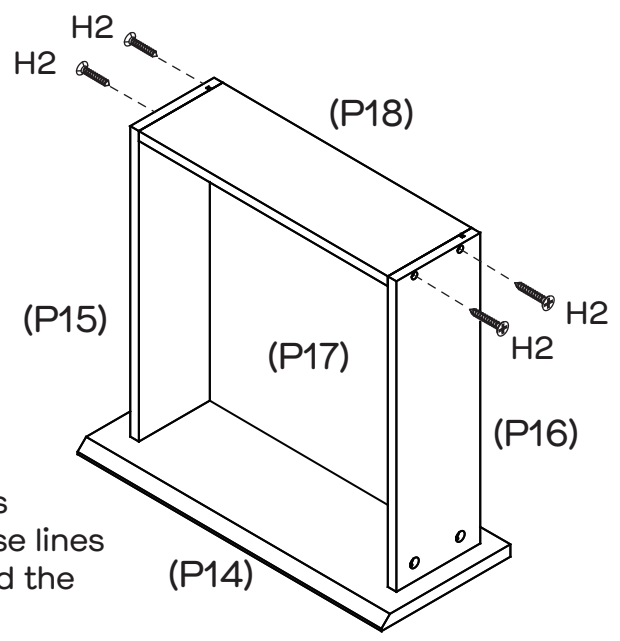


Slide Drawer Base (P17) into the grooves of Left & Right Drawer Sides (P15&P16).

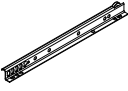
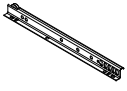


# Step 18

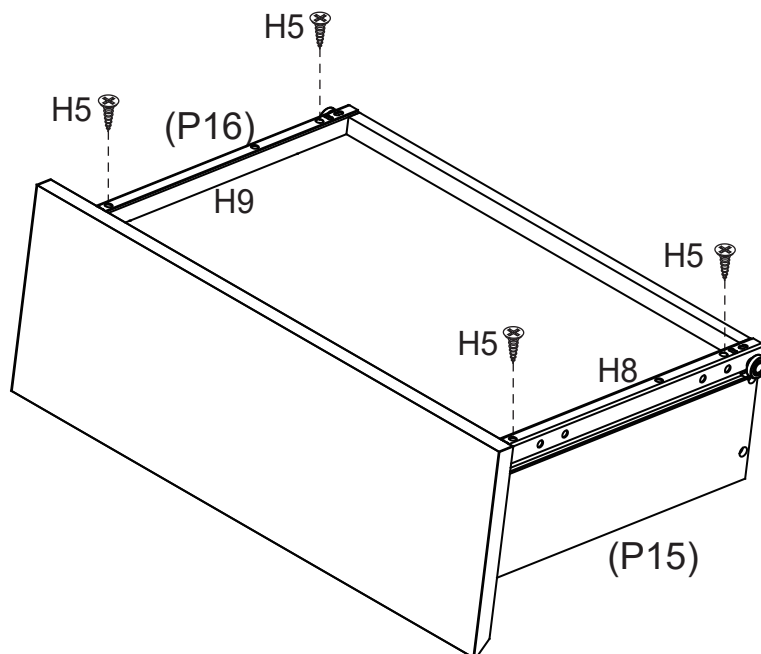
You will need	
	
4 x Long Screws (H2)	Phillips Head Screwdriver

Attach Drawer Back (P18) to Left & Right Drawer Sides (P15&P16) with 4 x Long Screws (H2) by tightening with the Phillips Head Screwdriver. Ensure the Drawer Base lines up with the grooves the whole way around the drawer before securing.



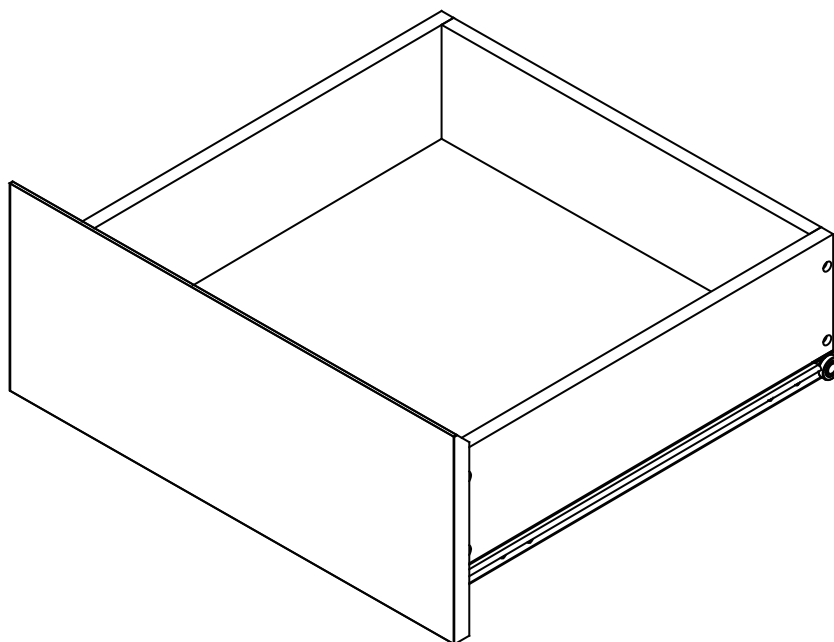
## Step 19

You will need	
	
1 x DL Runner (H8)	1 x DR Runner (H9)
	
4 x Small Screws (H5)	Phillips Head Screwdriver



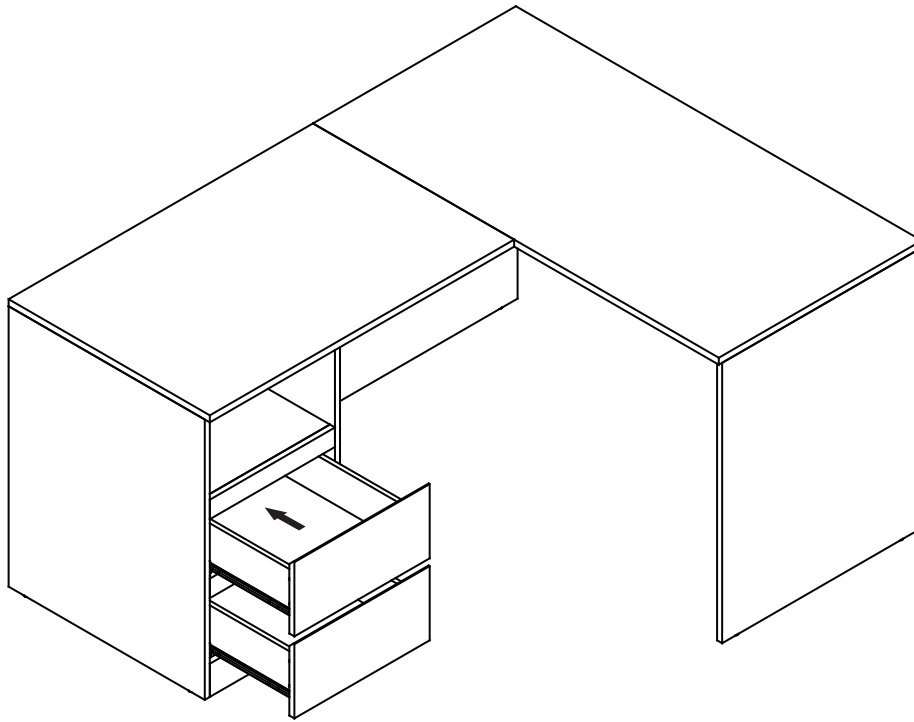
Attach 1 x DL Runner (H8) to the bottom of Left Drawer Side (P15) and 1 x DR Runner (H9) to the bottom of Right Drawer Side (P16) with 4 x Small Screws (H5) by tightening with the Phillips Head Screwdriver.

## Step 20

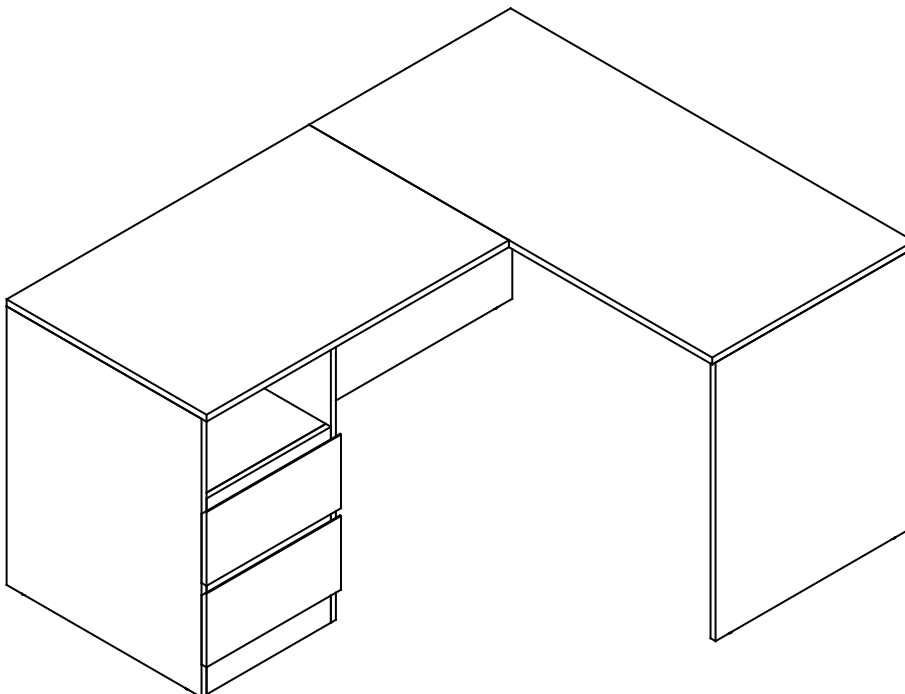


Repeat Step 15 - Step 19 to assemble the second Drawer.

## Step 21



Carefully insert the drawers into the desk by gently guiding the runners into the tracks.



## Job Complete!

In the interest of our environment please dispose of all packaging thoughtfully.