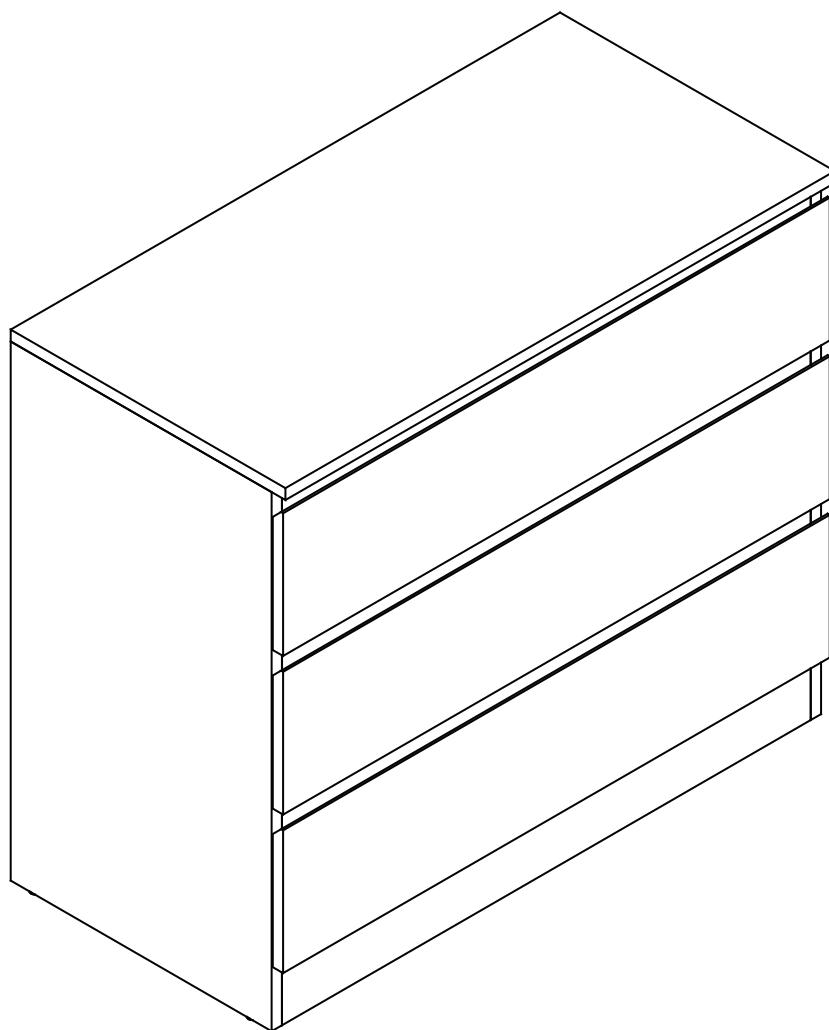




**Fantastic
Furniture**

Version 1.0



Como
Dresser 3 Drw

fantasticfurniture.com.au

Recommended weight capacity : 18kgs/Drawer.



**WARNING: ENSURE THE WALL STRAP IS ATTACHED TO
AVOID SERIOUS INJURY.**

To avoid any serious or fatal injury, this product has been supplied with a wall strap to prevent toppling. We strongly recommend that this product is permanently fixed to the wall or other suitable surface. Connecting attachments for your wall are not included since different surface materials require different attachments. Please seek professional advice if you are in doubt of what wall connections to use.

Looks like you've found your Fantastic!

We're thrilled you've chosen Fantastic Furniture
to help create a home you'll love!



Fantastic Furniture

Love it? Share it!

Fantastic buy! Share how it looks at home on Instagram for
your chance to win a \$250 Fantastic Furniture Gift Card!

@fantasticfurniture

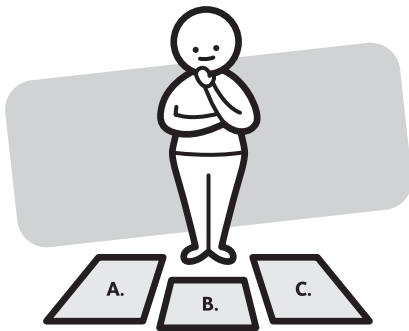
Assembly Checklist



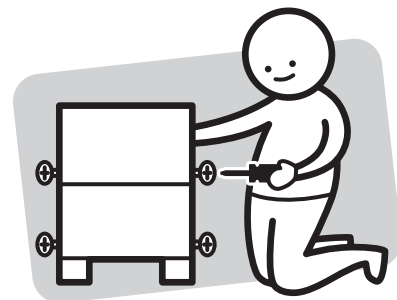
Read through the instructions carefully before you begin.



Make sure you have all the required tools. Never use power tools unless instructed.



Identify and lay out all of the components before you begin assembly.



Unless instructed, do not fully tighten screws until the item is fully assembled.

Useful Information

- ! Never use power tools unless specifically instructed. They can damage your components or hardware if used incorrectly.
- ! The most common mistakes made during assembly are using the wrong hardware or getting components back to front.
- ! Always use a soft surface (such as carpet or cardboard) when assembling your product to avoid scratching or damaging the surface of the product.
- ! Bulky items such as wardrobes and bunk beds should be assembled in the room they will be used in as they may not fit through a door once assembled.
- ! Never use any glue until you are certain that the parts belong together.
- ! Periodically check and re-tighten all fasteners. Check the product care label or website for product care instructions.
- ! If you are having any difficulties assembling your product, missing any hardware or components please visit our website Help Centre for further assistance.
- ! Please see page 2 for any safety requirements or weight restrictions.

What you need

to assemble the product

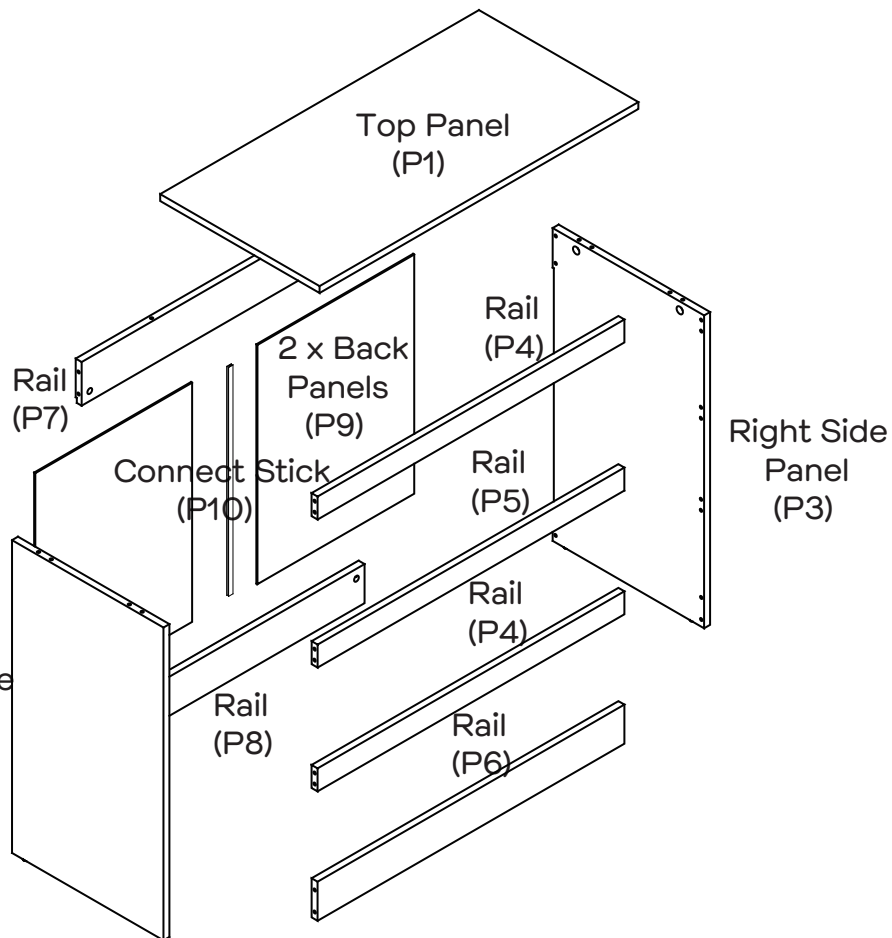


DO NOT USE



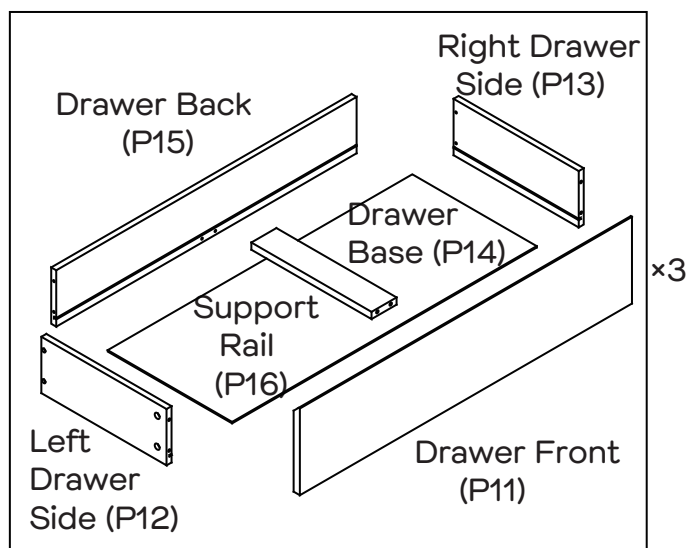
Other tools you need:

Phillips head screwdriver;
Hammer

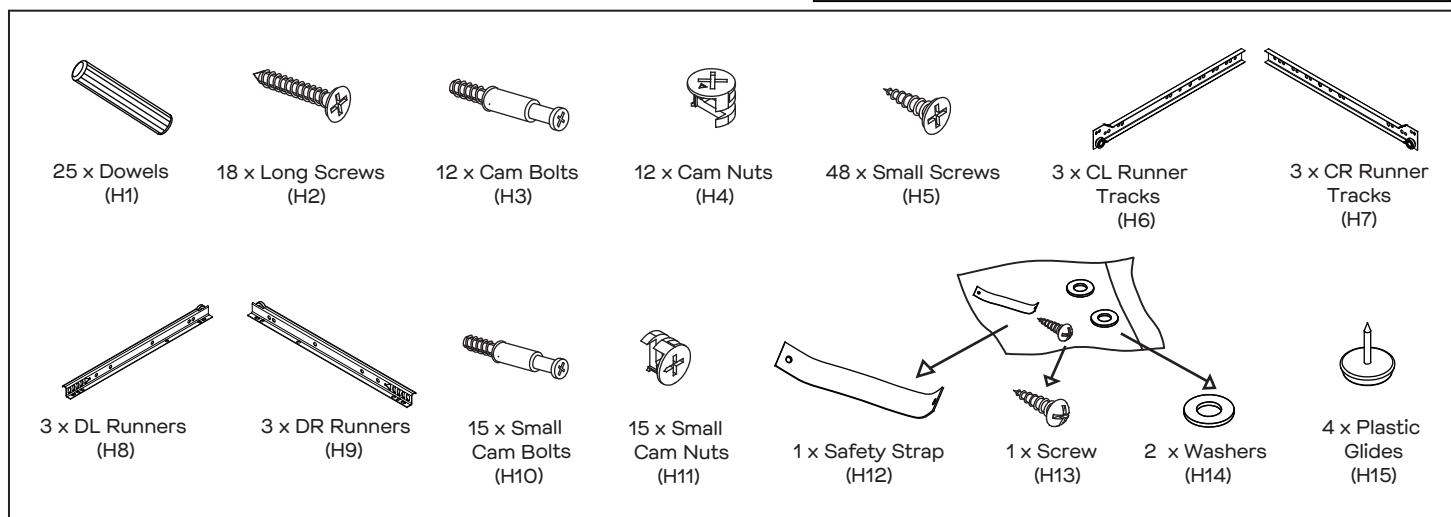


Parts list

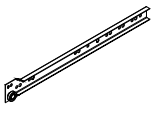
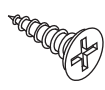

Top Panel (P1);
Left Side Panel (P2);
Right Side Panel (P3);
2 x Rails (P4);
Rail (P5);
Rail (P6);
Rail (P7);
Rail (P8);
2 x Back Panels (P9);
Connect Stick (P10);
3 x Drawer Front (P11);
3 x Left Drawer Side (P12);
3 x Right Drawer Side (P13);
3 x Drawer Base (P14);
3 x Drawer Back (P15);
3 x Support Rail (P16)

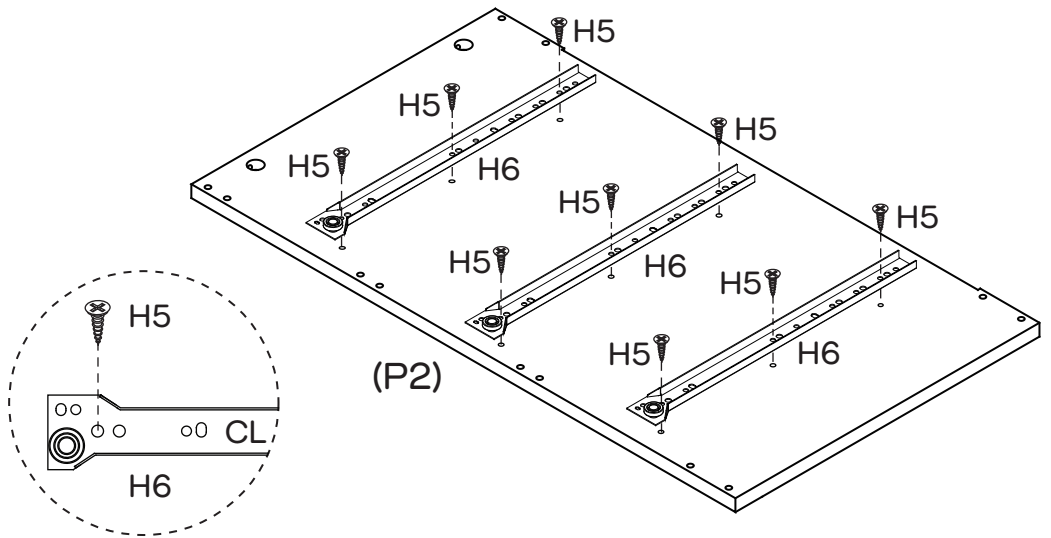


Hardware pack



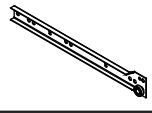
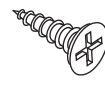

Step 1

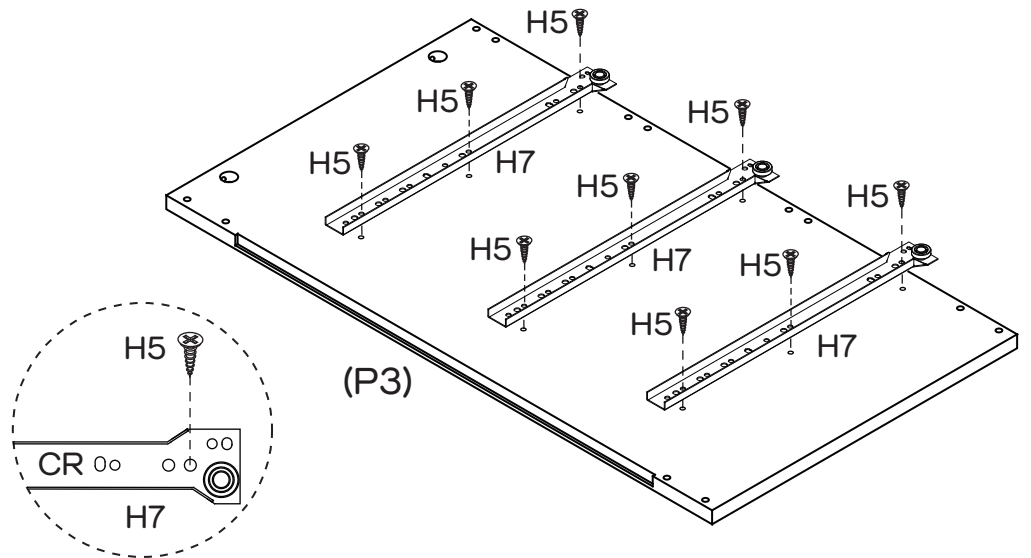
You will need	
	
3 x CL Runner Tracks (H6)	9 x Small Screws (H5)
	
Phillips Head Screwdriver	



Attach 3 x CL Runner Tracks (H6) to Left Side Panel (P2) with 9 x Small Screws (H5) by tightening with the Phillips Head Screwdriver.

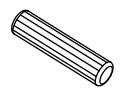
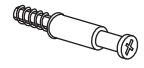

Step 2

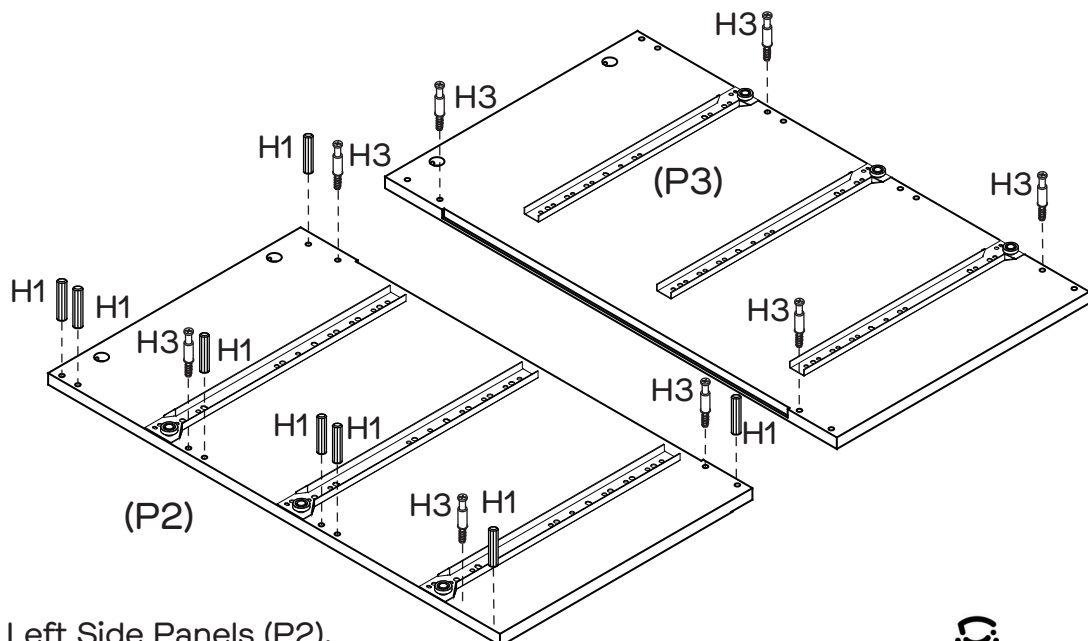
You will need	
	
3 x CR Runner Tracks (H7)	9 x Small Screws (H5)
	
Phillips Head Screwdriver	



Attach 2 x CR Runner Tracks (H7) to Right Side Panel (P3) with 6 x Small Screws (H5) by tightening with the Phillips Head Screwdriver.



Step 3

You will need	
	
8 x Dowels (H1)	8 x Cam Bolts (H3)
	
Phillips Head Screwdriver	

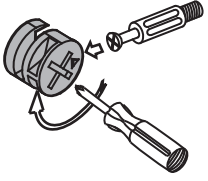


Insert 8 x Dowels (H1) into Left Side Panels (P2).
Attach 8 x Cam Bolts (H3) into Side Panels (P2) and (P3) as shown..

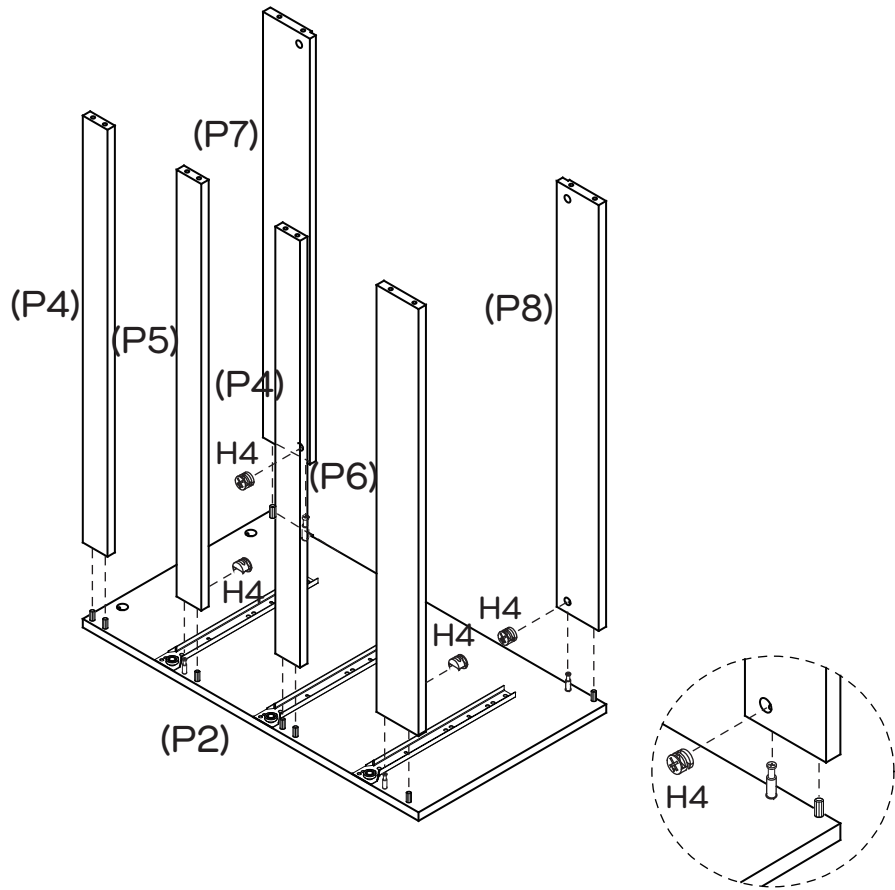
Step 4

You will need	
	
4 x Cam Nuts (H4)	Phillips Head Screwdriver

This is how a cam nut works.....

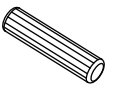




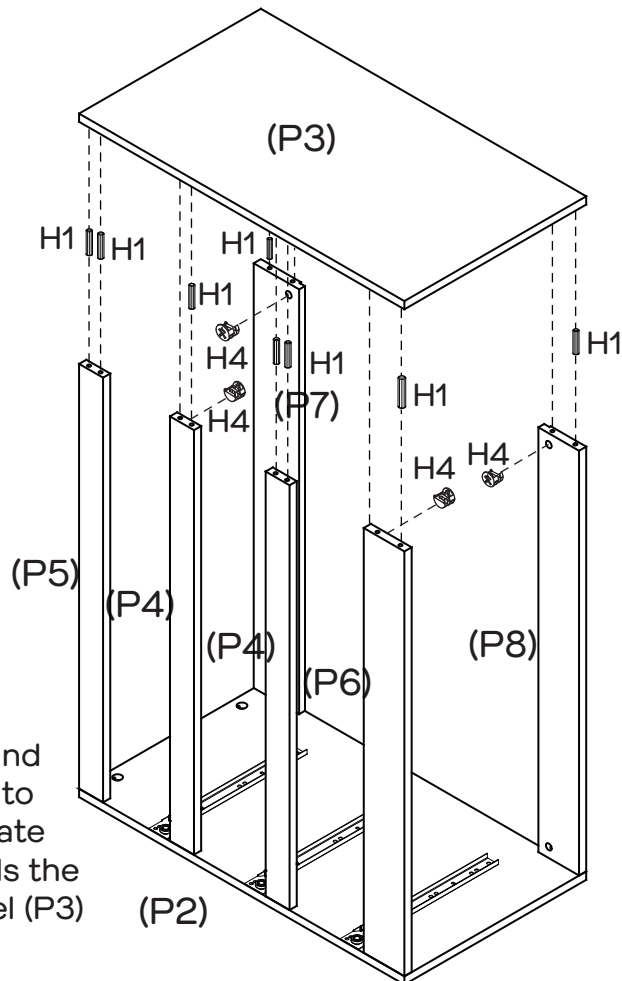
The head of the cam bolt goes into the open mouth of the cam nut. You then turn the cam nut so it tightens over the bolt.



Insert 4 x Cam Nuts (H4) into the holes of Rails (P5) and (P6,P7,P8). Rotate the cam nuts so the arrows point towards the incoming cam bolts. Attach 2 x Rails (P4), Rails (P5) and (P6,P7,P8) to Left Side Panel (P2), then tighten the cam nuts..



Step 5

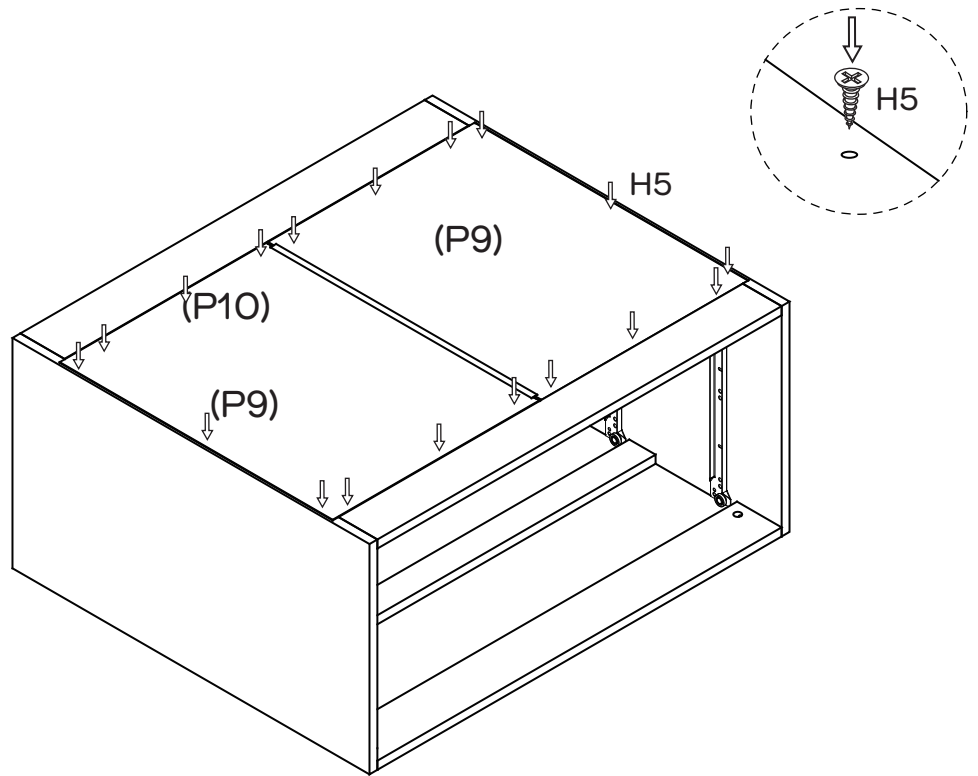
You will need	
	
8 x Dowels (H1)	4 x Cam Nuts (H4)
	
Phillips Head Screwdriver	



Insert 8 x Dowels (H1) into 2 x Rails (P4) and (P5,P6,P7,P8). Insert 4 x Cam Nuts (H4) into the holes of Rails (P5) and (P6,P7,P8). Rotate the cam nuts so the arrows point towards the incoming cam bolts. Push Right Side Panel (P3) into place and tighten the cam nuts..



Step 6

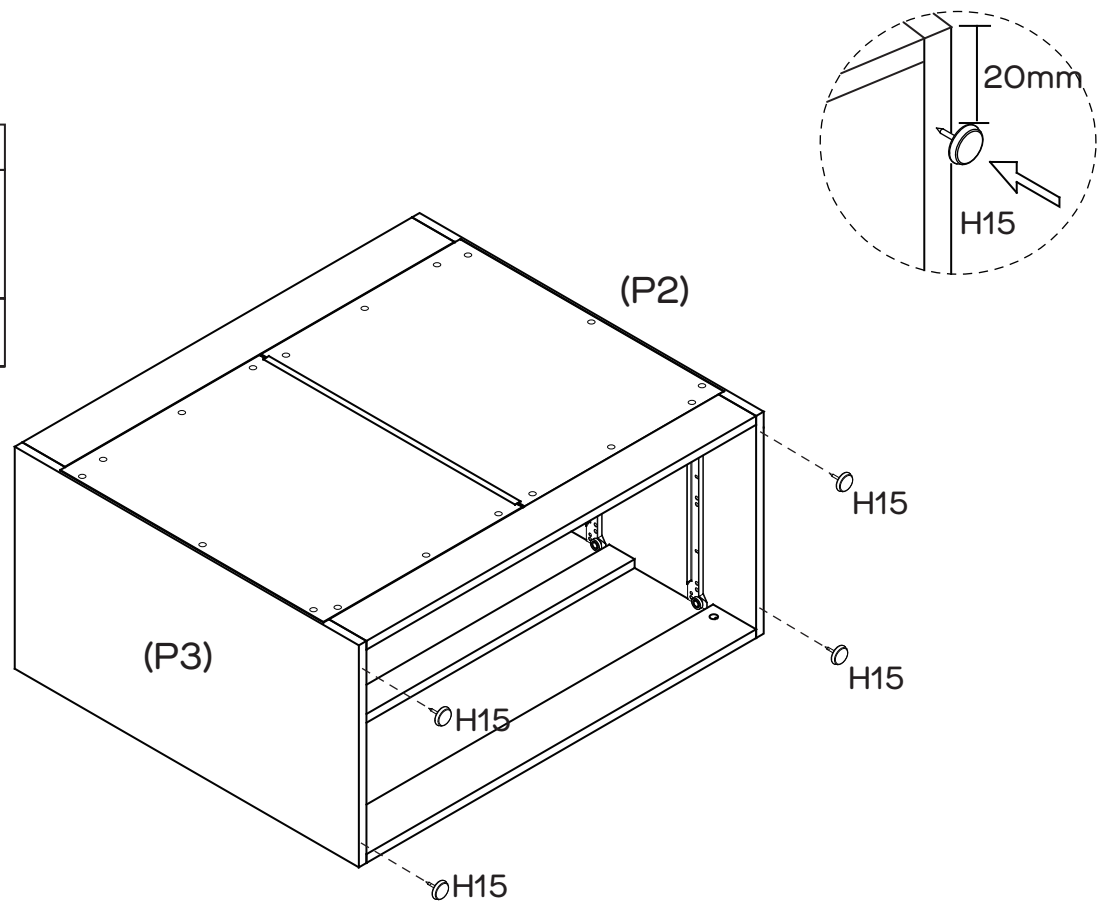
You will need	
	
18 x Small Screws (H5)	Phillips Head Screwdriver



Join 2 x Back Panels (P9) with Connect Stick (P10), then put into the groove on the back of the chest, screw it with 18 x Small Screws (H5)



Step 7

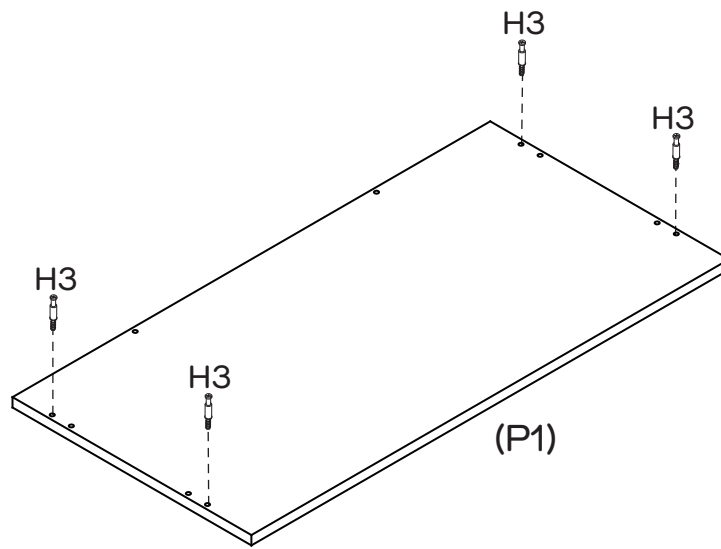
You will need	
	
4 x Plastic Glides (H15)	Hammer



Hammer 4 x Plastic Glides (H15) on Side Panels (P2) and (P3)

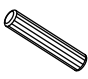


Step 8

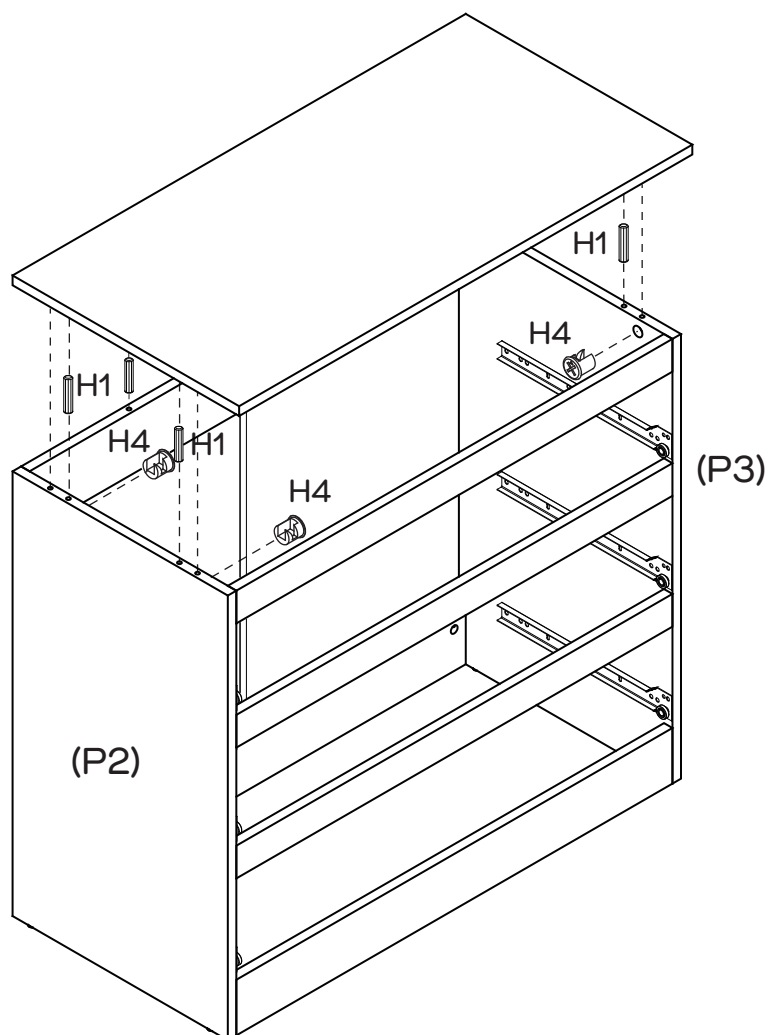
You will need	
	
4 x Cam Bolts (H3)	Phillips Head Screwdriver



Attach 4 x Cam Bolts (H3) into Top Panel (P1) as shown.

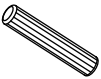


Step 9

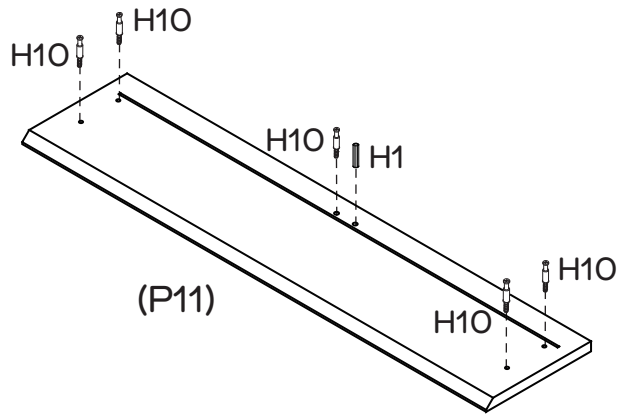
You will need	
	
6 x Dowels (H1)	4 x Cam Nuts (H4)
	
Phillips Head Screwdriver	



Insert 6 x Dowels (H1) into Side Panels (P2,P3) and Rail (P7).
Insert 4 x Cam Nuts (H4) into the holes of Side Panels (P2) and (P3).
Rotate the cam nuts so the arrows point towards the incoming cam bolts.
Attach Top Panel (P1) and tighten the cam nuts.



Step 10

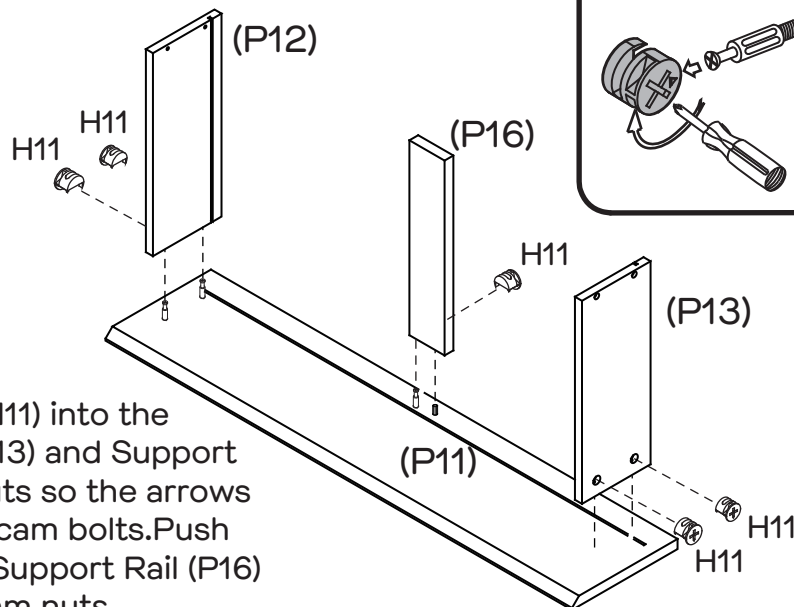
You will need	
	
1 x Dowel (H1)	5 x Small Cam Bolts (H10)
	
Phillips Head Screwdriver	



Insert 1 x Dowel (H1) into Drawer Front (P11) Attach 5 x Small Cam Bolts (H10) as shown.

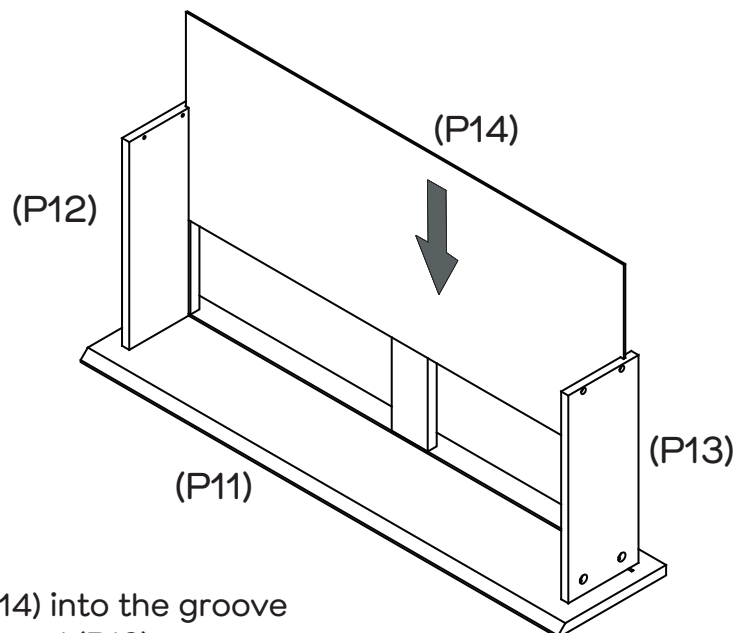
Step 11

You will need	
	
5 x Small Cam Nuts (H11)	Phillips Head Screwdriver





Insert 5 x Small Cam Nuts (H11) into the holes of Drawer Sides (P12,P13) and Support Rail (P16). Rotate the cam nuts so the arrows point towards the incoming cam bolts. Push Drawer Sides (P12,P13) and Support Rail (P16) into place and tighten the cam nuts..

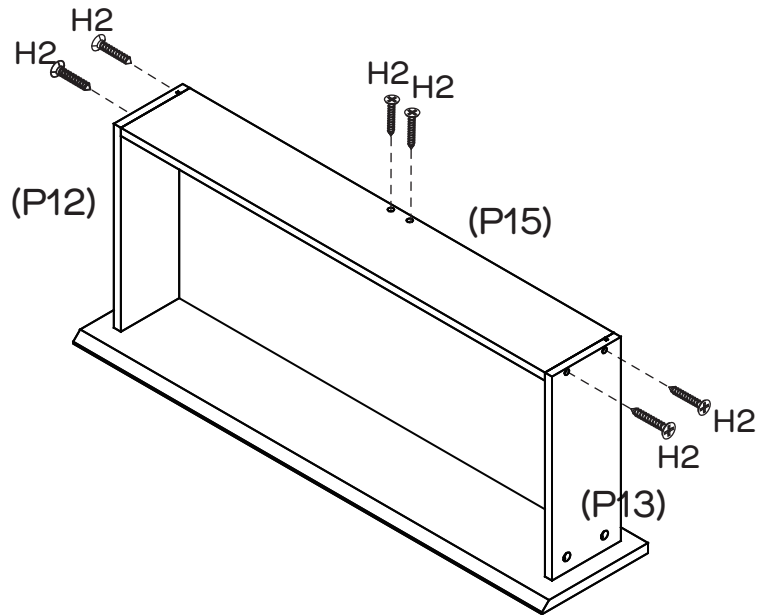
Step 12



Slide Drawer Base (P14) into the groove in Drawer Sides (P12) and (P13) .

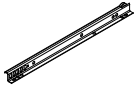
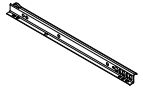


Step 13

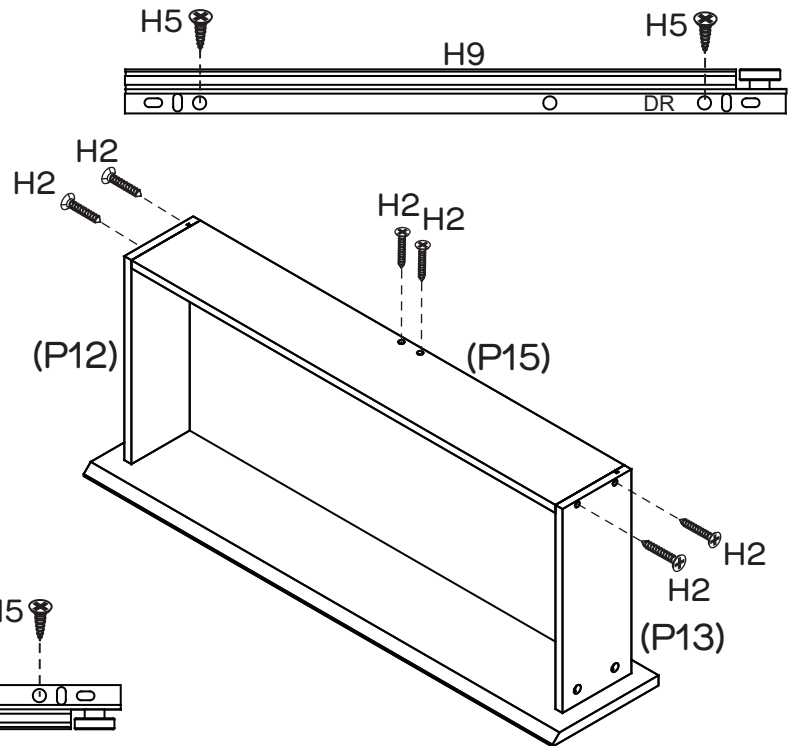
You will need	
	
6 x Long Screws (H2)	Phillips Head Screwdriver



Attach Drawer Back (P15) to Drawer Sides (P12,P13) with 4 x Long Screws (H2), then attach Drawer Back (P15) to Support Rail (P16) with 2 x Long Screws (H2). Make sure that the groove lines up the whole way around the drawer.

Step 14

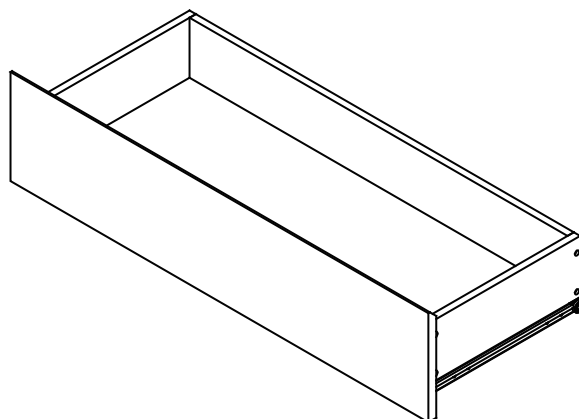
You will need	
	
1 x DL Runner (H8)	1 x DR Runner (H9)
	
4 x Small Screws (H5)	Phillips Head Screwdriver



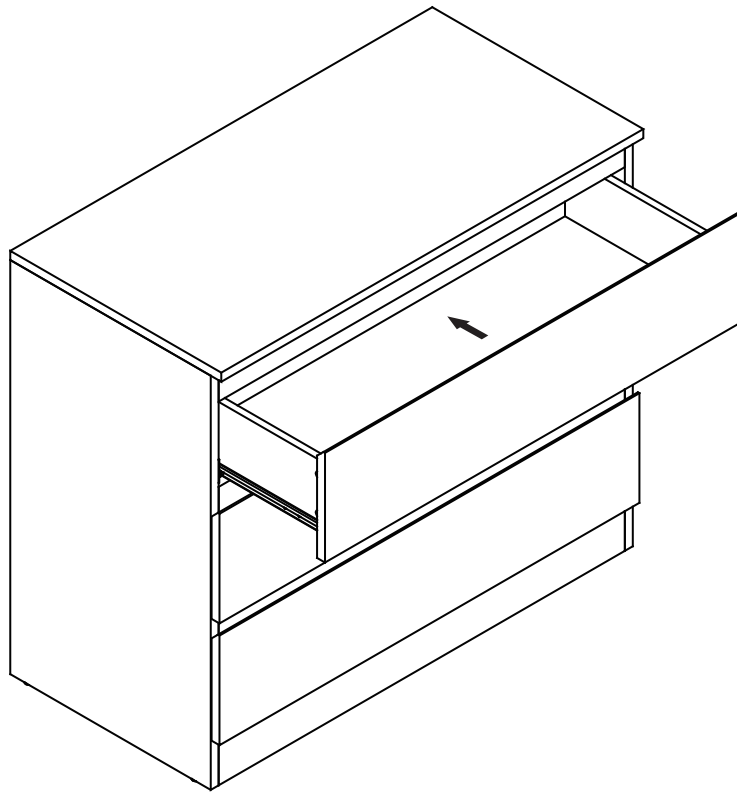
Attach 1 x DL Runner (H8) to the bottom of Left Drawer Side (P12) and 1 x DR Runner (H9) to the bottom of Right Drawer Side (P13) with 4 x Small Screws (H5).

Step 15

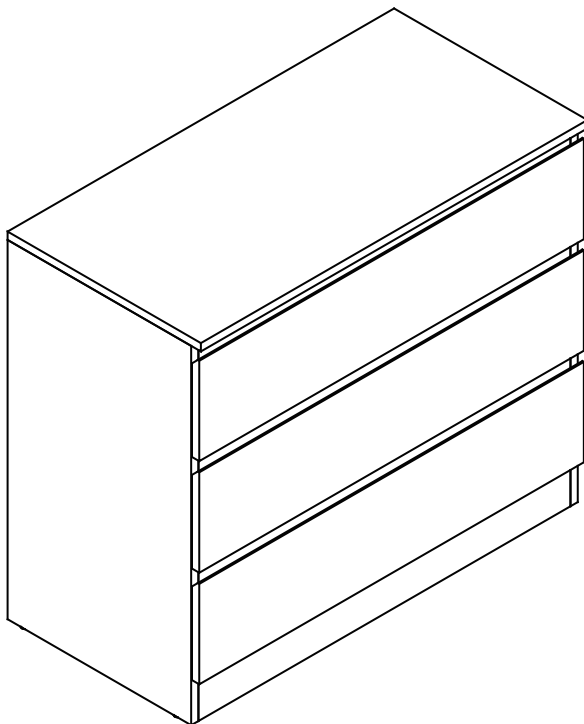
Repeat step 10 to step 14 to assemble other drawers.



Step 16







Insert the assembled drawers into the corresponding compartments as shown. Ensure the drawers slide easily along the rails.

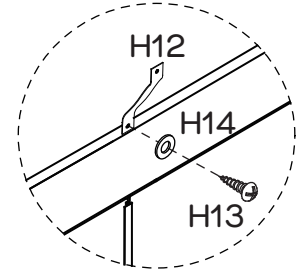
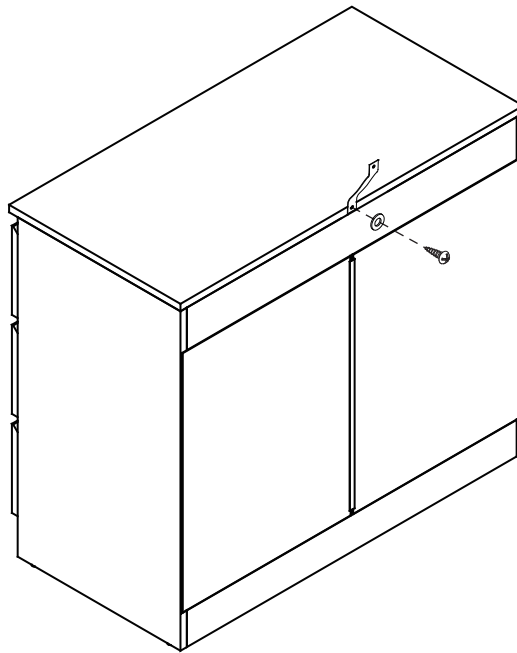


Please make sure your chest is sitting squarely on the floor, then tighten all the screws and bolts – being careful not to over tighten

Step 17



You will need	
	
1 x Safety Strap (H12)	1 x Screw (H13)
	
1 x Washer (H14)	Phillips Head Screwdriver

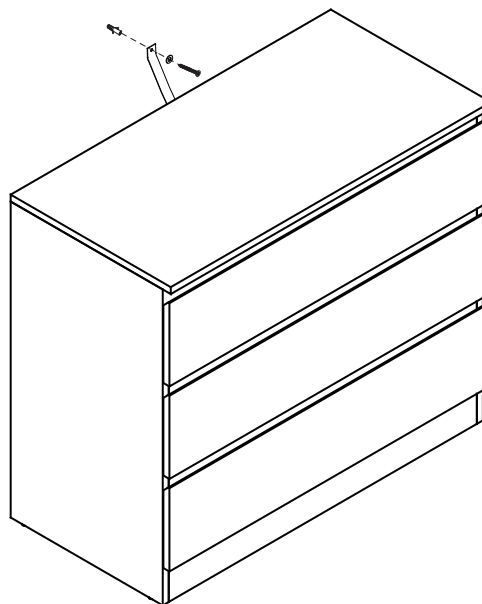
We strongly advise that you use the wall safety strap provided to prevent the unit toppling



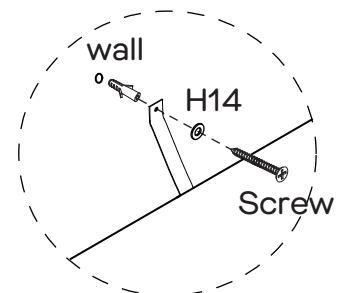
Attach Safety Strap (H12) to the Top Panel (P1) using 1 x Screw (H13) and 1 x Washer (H14)

Step 22

You will need	
	
1 x Washer (H14)	Phillips Head Screwdriver
Screw and Wall Plug are not provided. Please use appropriate fixtures for your wall.	



Seek advice from a qualified trades person on how to attach this safety strap to your specific wall.



Move the chest to the final position. Attach the safety strap to the wall. Make sure it is firmly attached and make sure it is snug fit.

Job Complete!

In the interest of our environment please dispose of all packaging thoughtfully.