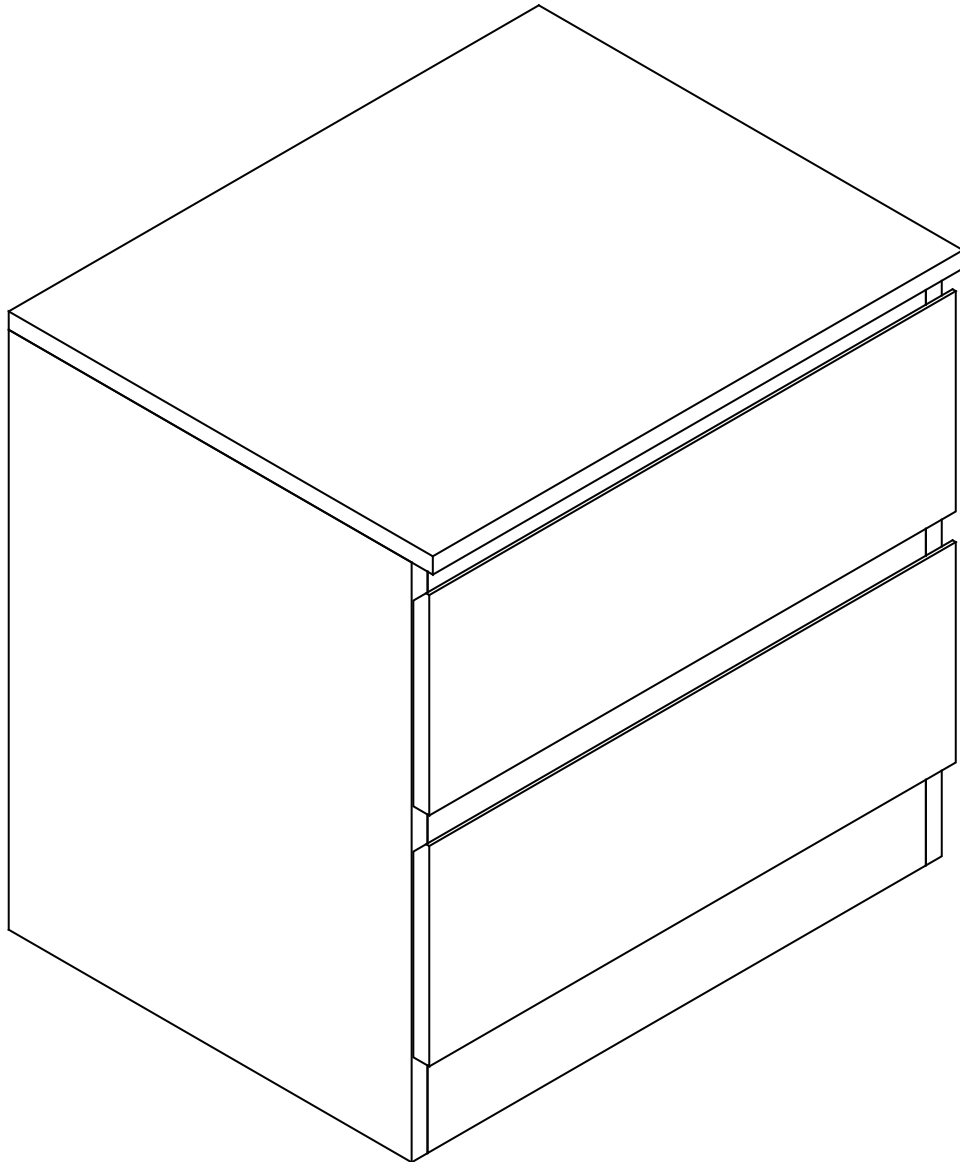




**Fantastic  
Furniture**

Version 1.0



**Como**  
Bedside 2 Drw

[fantasticfurniture.com.au](http://fantasticfurniture.com.au)

Recommended weight capacity : 50kgs on top.

## Looks like you've found your Fantastic!

We're thrilled you've chosen Fantastic Furniture  
to help create a home you'll love!



# Fantastic Furniture

### Love it? Share it!

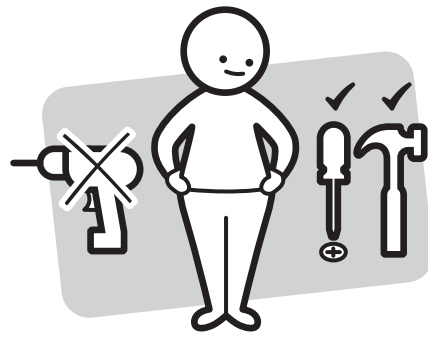
Fantastic buy! Share how it looks at home on Instagram for  
your chance to win a \$250 Fantastic Furniture Gift Card!

**@fantasticfurniture**

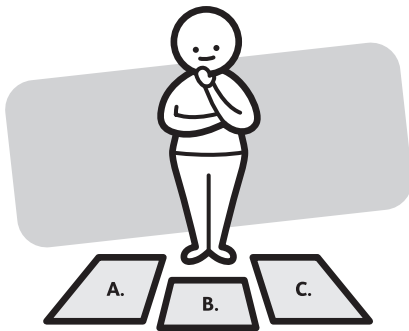
# Assembly Checklist



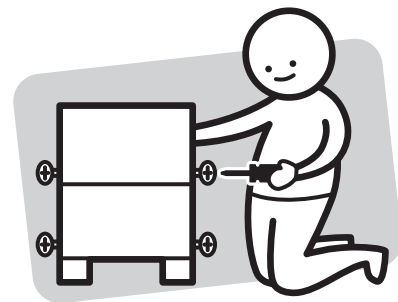
Read through the instructions carefully before you begin.



Make sure you have all the required tools. Never use power tools unless instructed.



Identify and lay out all of the components before you begin assembly.



Unless instructed, do not fully tighten screws until the item is fully assembled.

## Useful Information

- ! Never use power tools unless specifically instructed. They can damage your components or hardware if used incorrectly.
- ! The most common mistakes made during assembly are using the wrong hardware or getting components back to front.
- ! Always use a soft surface (such as carpet or cardboard) when assembling your product to avoid scratching or damaging the surface of the product.
- ! Bulky items such as wardrobes and bunk beds should be assembled in the room they will be used in as they may not fit through a door once assembled.
- ! Never use any glue until you are certain that the parts belong together.
- ! Periodically check and re-tighten all fasteners. Check the product care label or website for product care instructions.
- ! If you are having any difficulties assembling your product, missing any hardware or components please visit our website Help Centre for further assistance.
- ! Please see page 2 for any safety requirements or weight restrictions.

# What you need

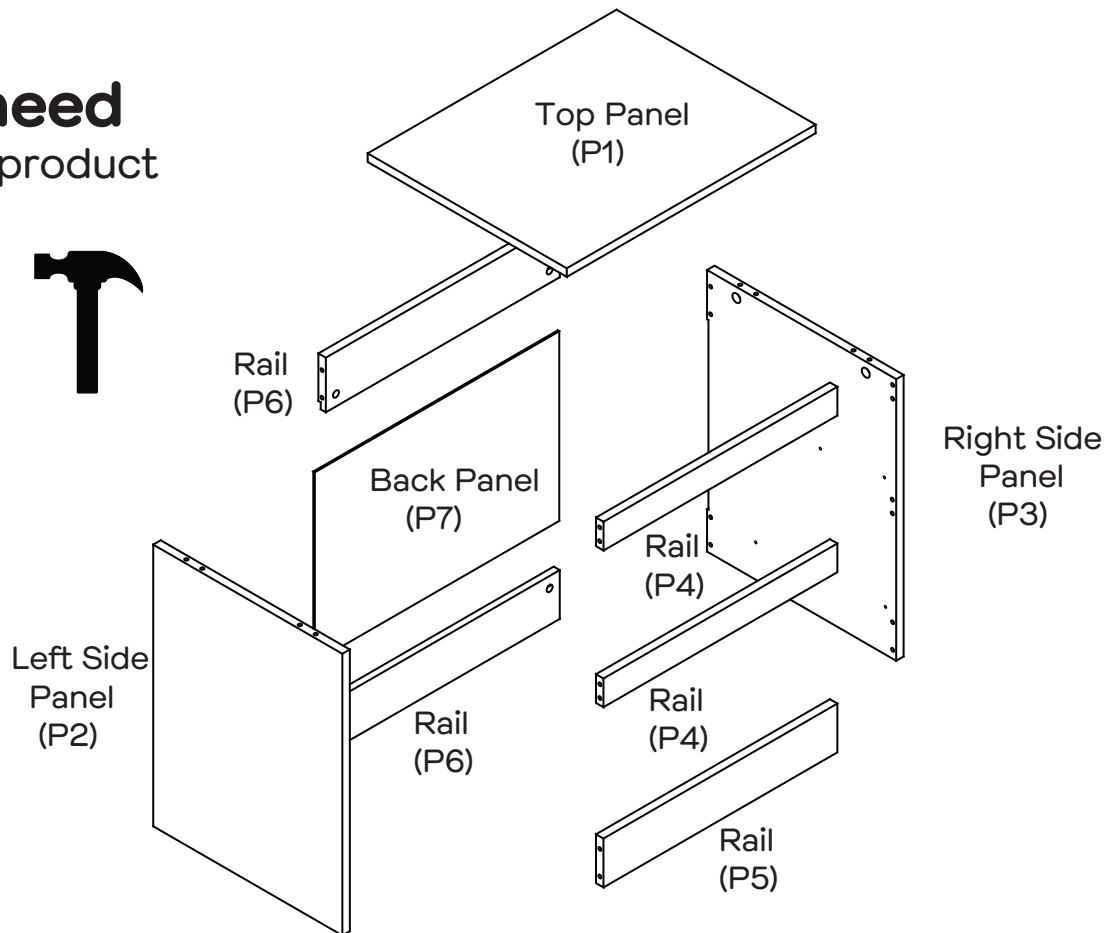
to assemble the product



DO NOT USE

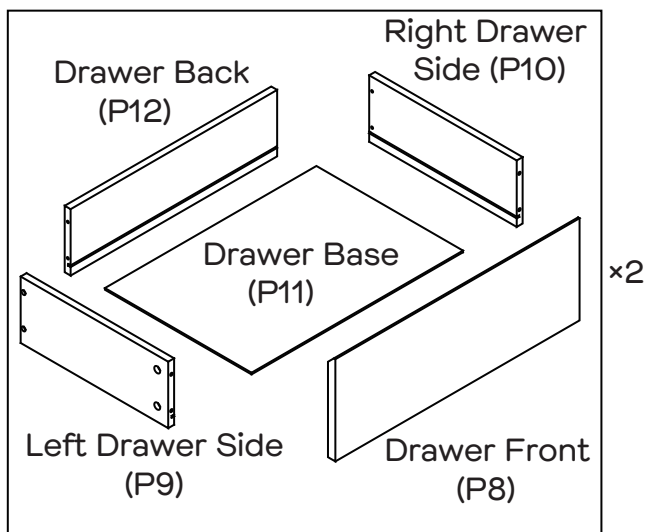


**Other tools you need:**  
Phillips head screwdriver;  
Hammer

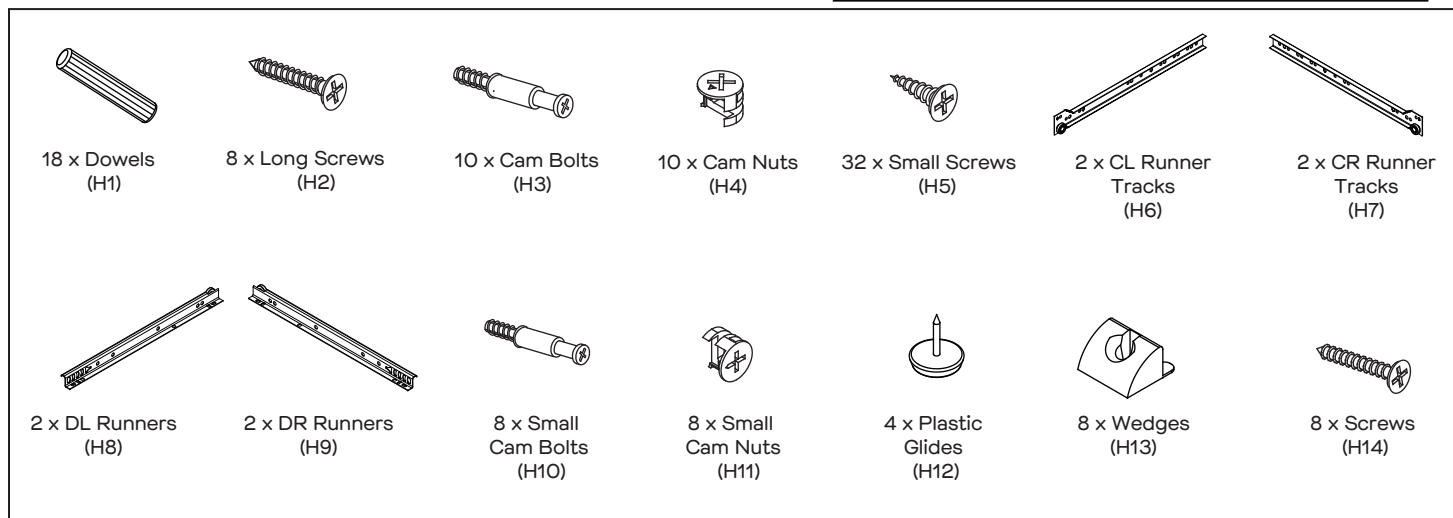


## Parts list


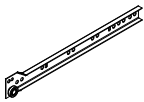

- Top Panel (P1);
- Left Side Panel (P2);
- Right Side Panel (P3);
- 2 x Rails (P4);
- Rail (P5);
- 2 x Rails (P6);
- Back Panel (P7);
- 2 x Drawer Fronts (P8)
- 2 x Left Drawer Sides (P9);
- 2 x Right Drawer Sides (P10);
- 2 x Drawer Bases (P11);
- 2 x Drawer Backs (P12);

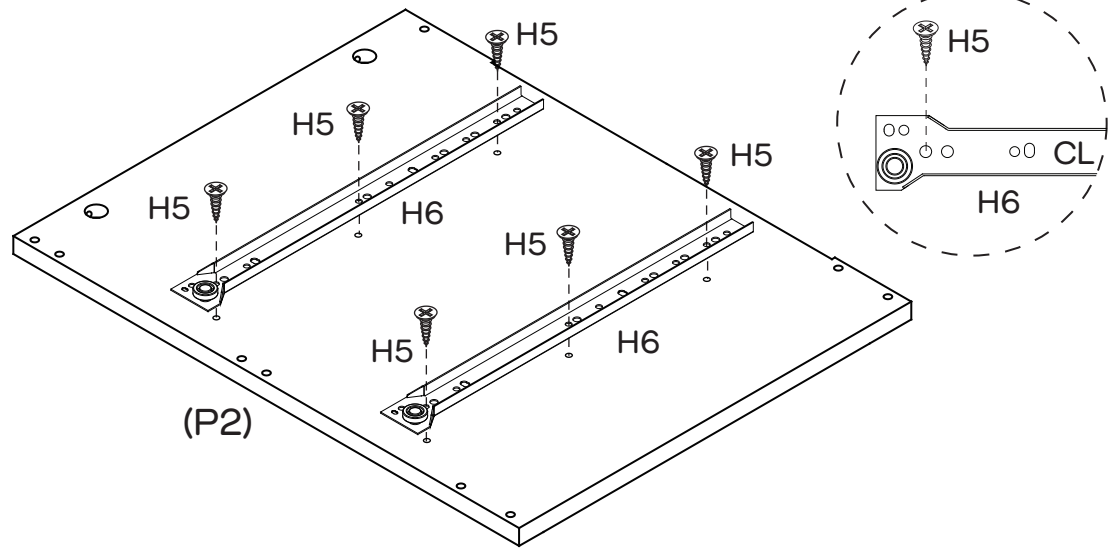


## Hardware pack




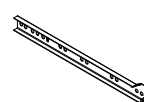

# Step 1

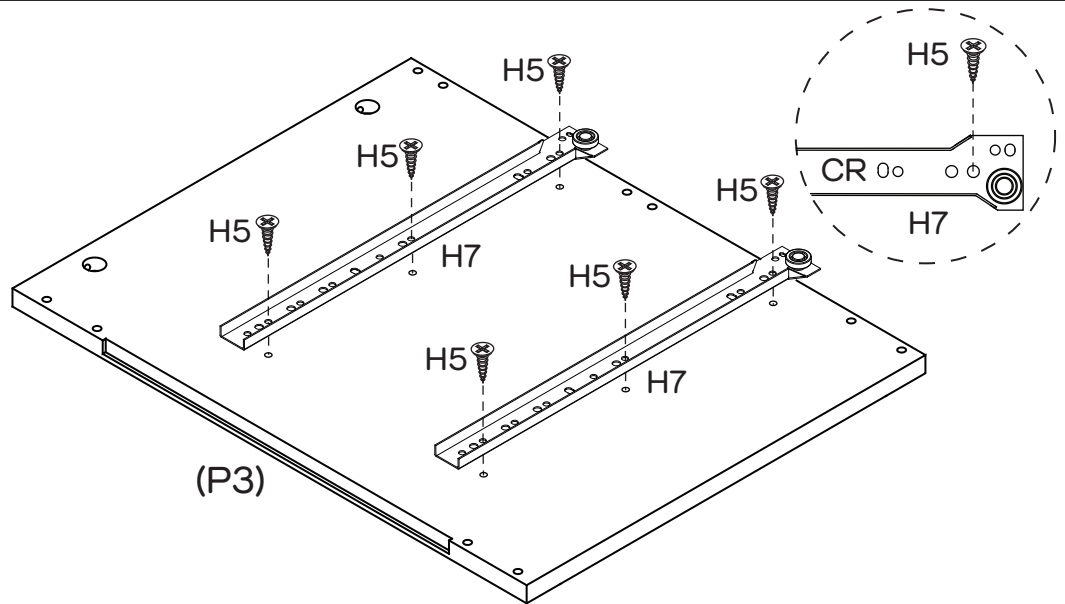
You will need	
	
6 x Small Screws (H5)	2 x CL Runner Tracks (H6)
	
Phillips Head Screwdriver	



Attach 2 x CL Runner Tracks (H6) to Left Side Panel (P2) with 6 x Small Screws (H5) by tightening with the Phillips Head Screwdriver.

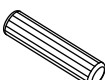
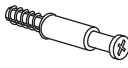

# Step 2

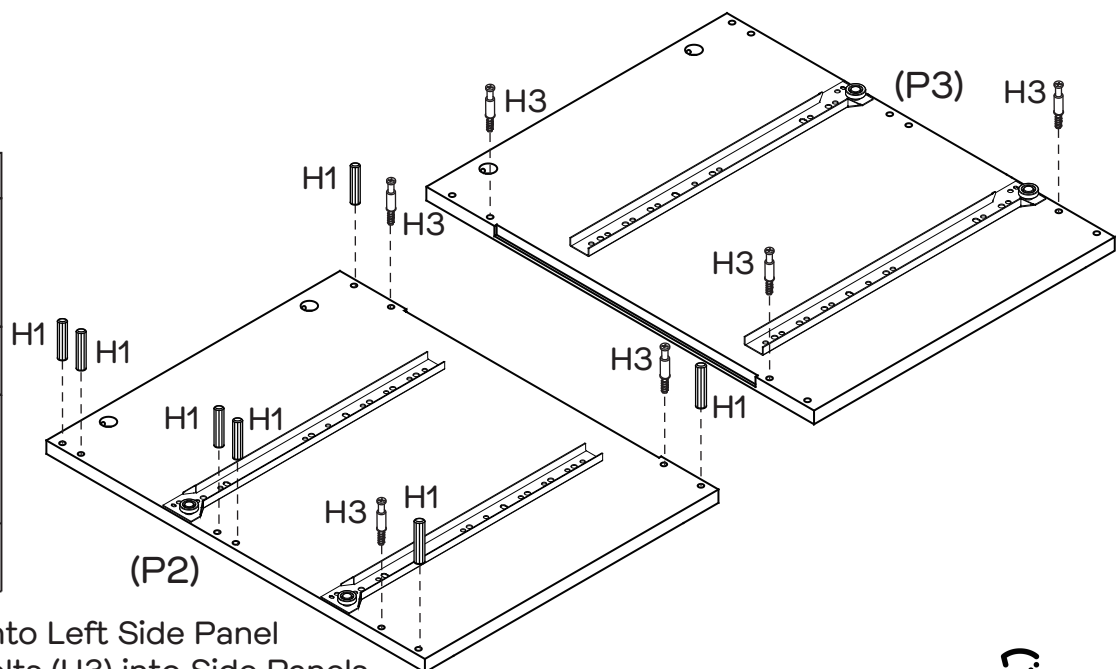
You will need	
	
6 x Small Screws (H5)	2 x CR Runner Tracks (H7)
	
Phillips Head Screwdriver	



Attach 2 x CR Runner Tracks (H7) to Right Side Panel (P3) with 6 x Small Screws (H5) by tightening with the Phillips Head Screwdriver.



# Step 3

You will need	
	
7 x Dowels (H1)	6 x Cam Bolts (H3)
	
Phillips Head Screwdriver	

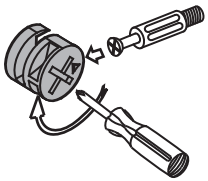


Insert 7 x Dowels (H1) into Left Side Panel (P2). Attach 6 x Cam Bolts (H3) into Side Panels (P2) and (P3) as shown. Tighten with a Phillips Head Screwdriver.

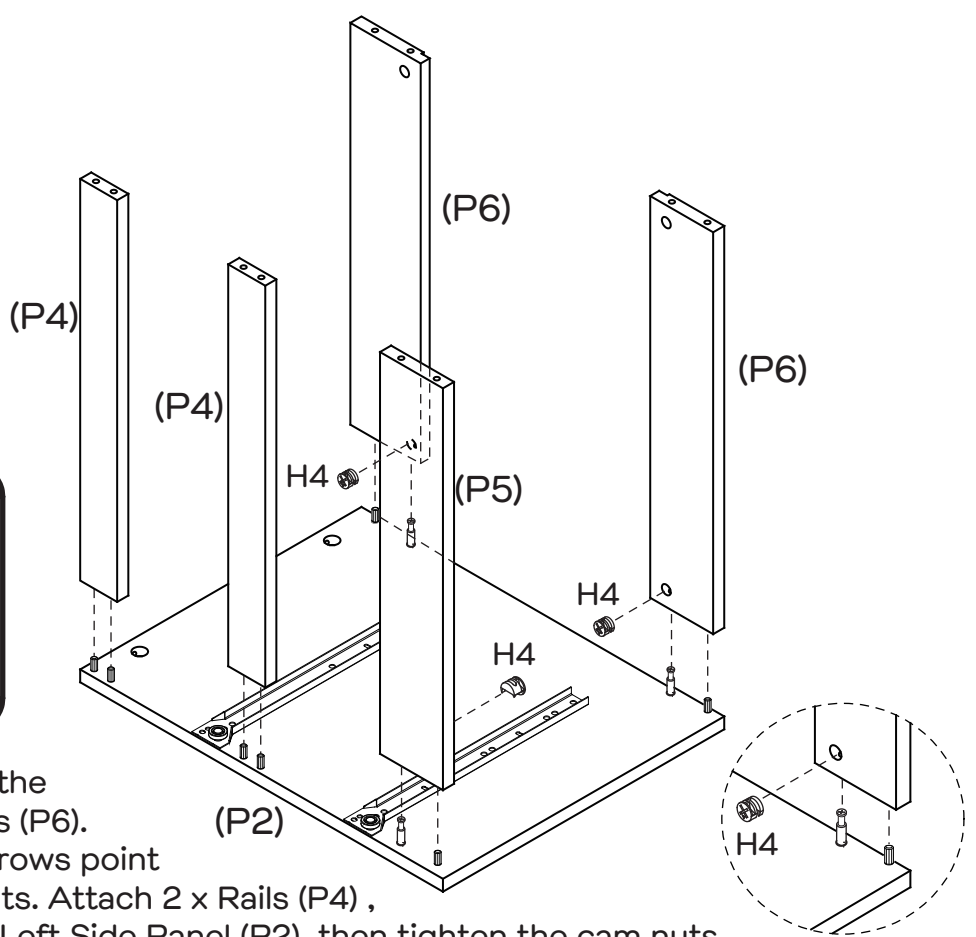
## Step 4

You will need	
	
3 x Cam Nuts (H4)	Phillips Head Screwdriver

This is how a cam nut works.....

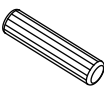




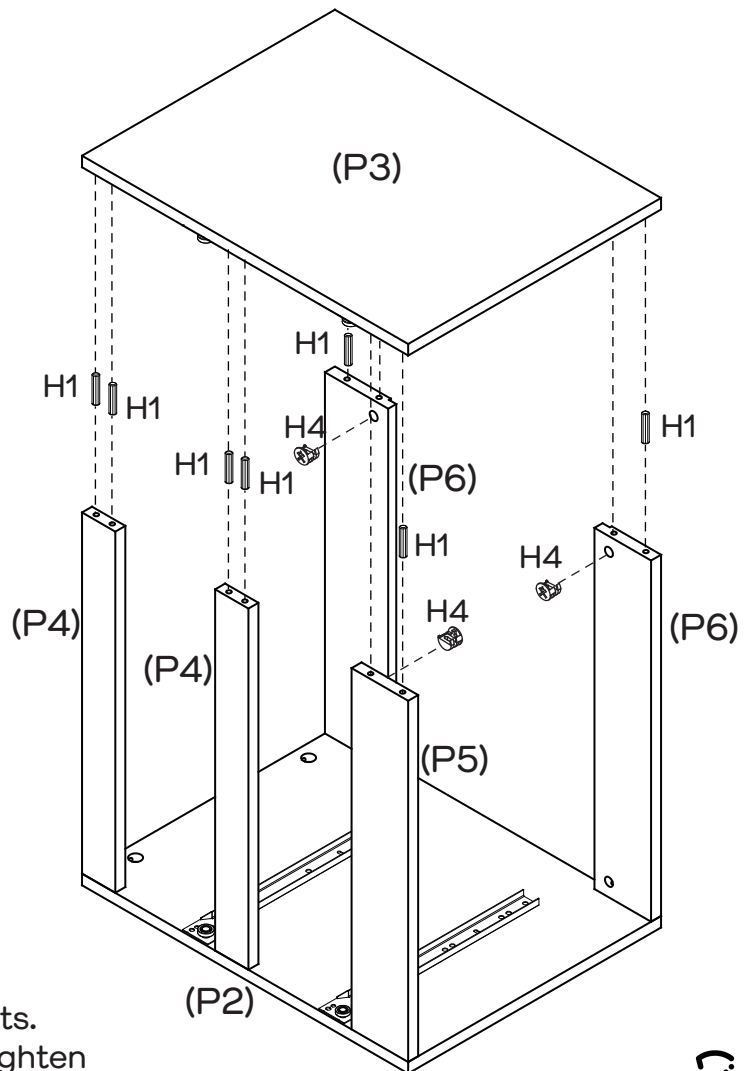
The head of the cam bolt goes into the open mouth of the cam nut. You then turn the cam nut so the arrows point towards the incoming cam bolts. You then turn the cam nut so it tightens over the bolt.



Insert 3 x Cam Nuts (H4) into the holes of Rails (P5) and 2 x Rails (P6). Rotate the cam nuts so the arrows point towards the incoming cam bolts. Attach 2 x Rails (P4), Rails (P5) and 2 x Rails (P6) to Left Side Panel (P2), then tighten the cam nuts.

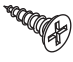


## Step 5

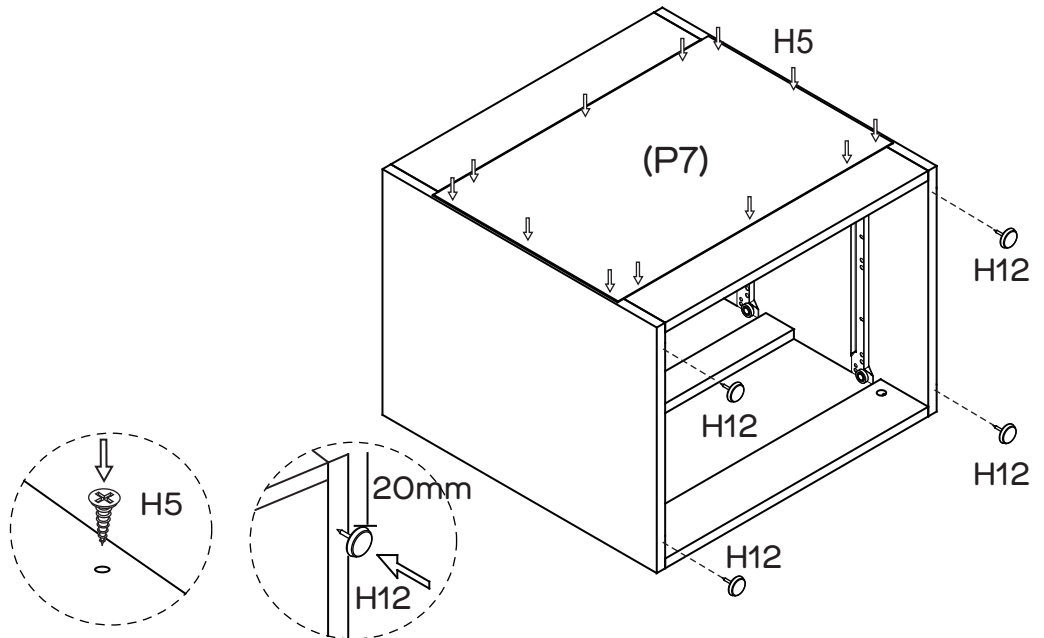
You will need	
	
7 x Dowels (H1)	3 x Cam Nuts (H4)
	
Phillips Head Screwdriver	



Insert 7 x Dowels (H1) into 2 x Rails (P4), Rail (P5) and 2 x Rails (P6). Insert 3 x Cam Nuts (H4) into the holes of Rails (P5) and 2 x Rails (P6). Rotate the cam nuts so the arrows point towards the incoming cam bolts. Push Right Side Panel (P3) into place and tighten the cam nuts.

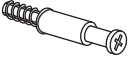

## Step 6

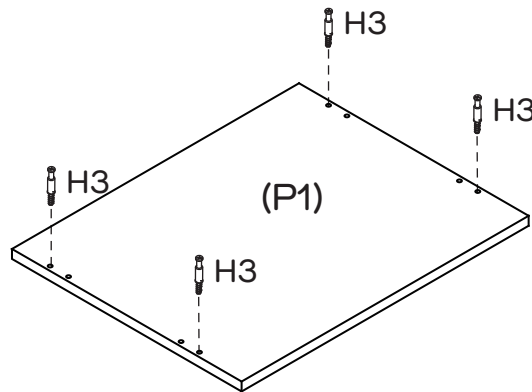
You will need	
	
12 x Small Screws (H5)	4 x Plastic Glides (H12)
	
Hammer	



Put Back Panel (P7) into the groove on the back of the chest, screw it with 12 x Small Screws (H5). Then hammer 4 x Plastic Glides (H12) on Side Panels (P2) and (P3).

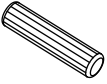


## Step 7

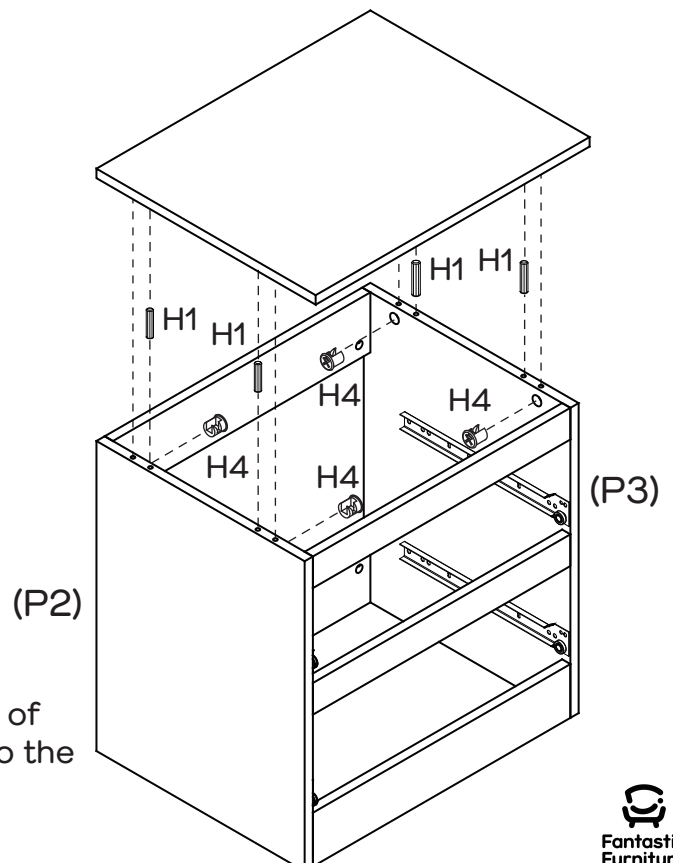
You will need	
	
4 x Cam Bolts (H3)	Phillips Head Screwdriver



Attach 4 x Cam Bolts (H3) into Top Panel (P1) as shown. Tighten with a Phillips Head Screwdriver.

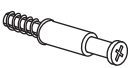

## Step 8

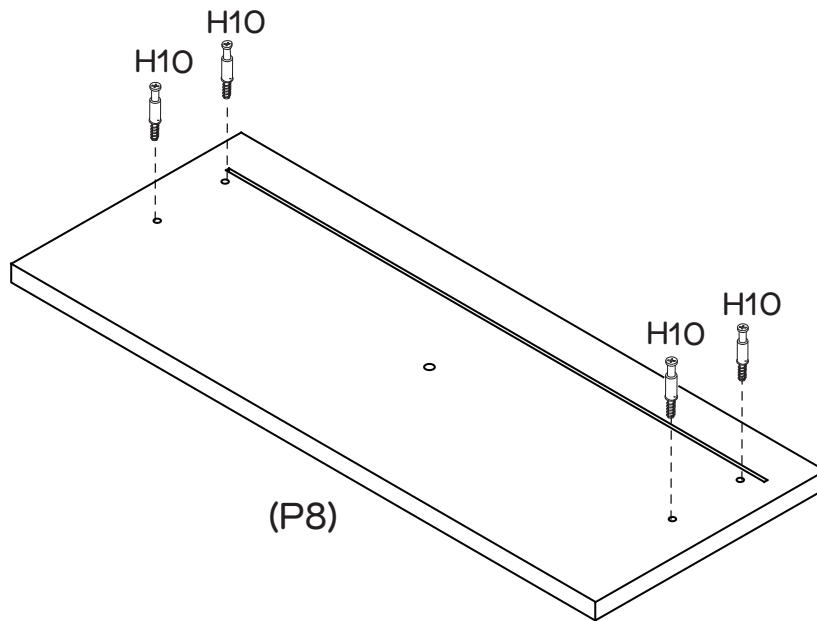
You will need	
	
4 x Dowels (H1)	4 x Cam Nuts (H4)
	
Phillips Head Screwdriver	



Insert 4 x Dowels (H1) into Side Panels (P2) and (P3). Insert 4 x Cam Nuts (H4) into the holes of Side Panels (P2) and (P3). Rotate the cam nuts so the arrows point towards the incoming cam bolts. Attach Top Panel (P1) and tighten the cam nuts.



## Step 9

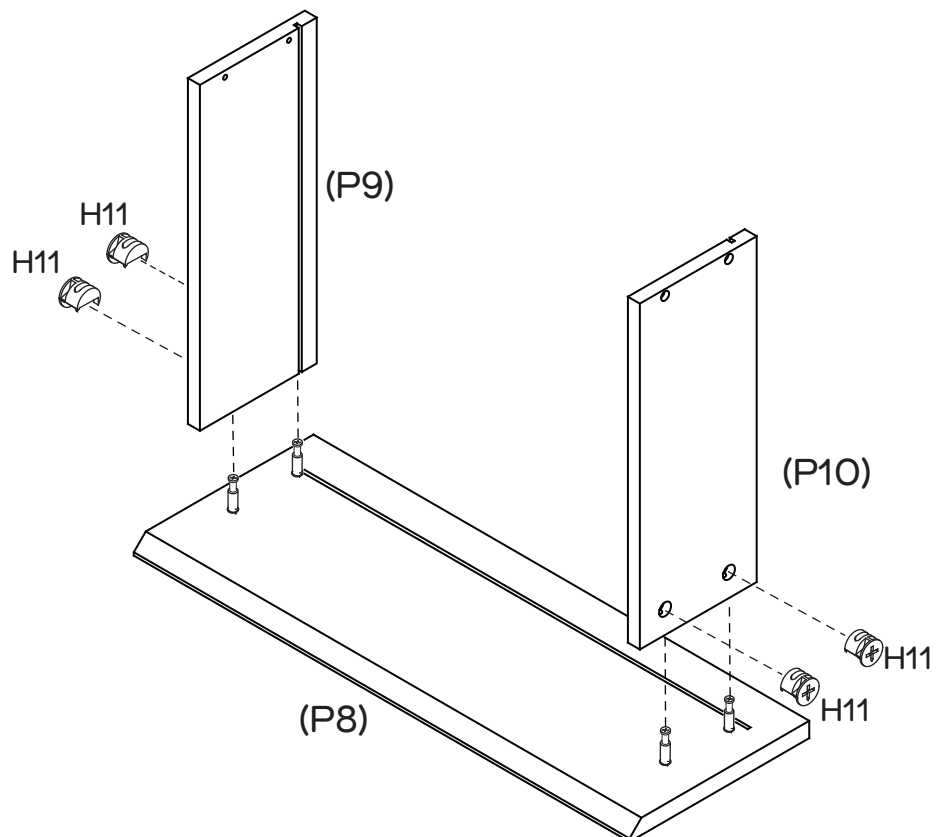
You will need	
	
4 x Small Cam Bolts (H10)	Phillips Head Screwdriver



Attach 4 x Small Cam Bolts (H10) into Drawer Front (P8). Tighten with a Phillips Head Screwdriver.

## Step 10

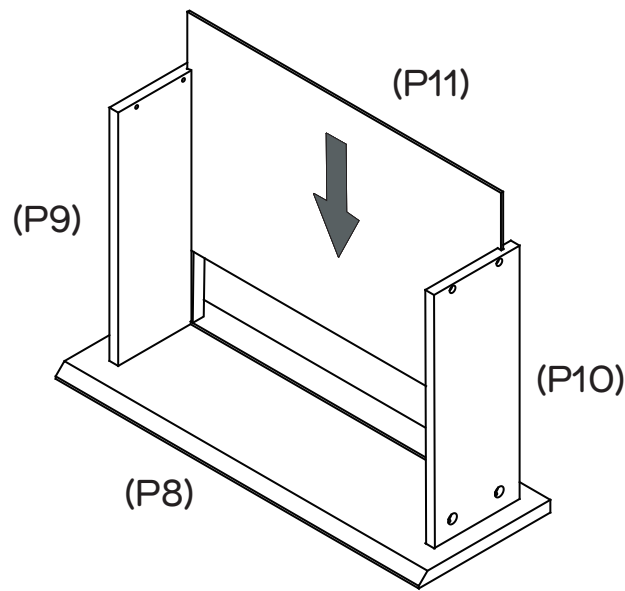
You will need	
	
4 x Small Cam Nuts (H11)	Phillips Head Screwdriver



Insert 4 x Small Cam Nuts (H11) into the holes of Drawer Sides (P9,P10). Rotate the cam nuts so the arrows point towards the incoming cam bolts. Push Drawer Sides (P9,P10) into place and tighten the cam nuts.





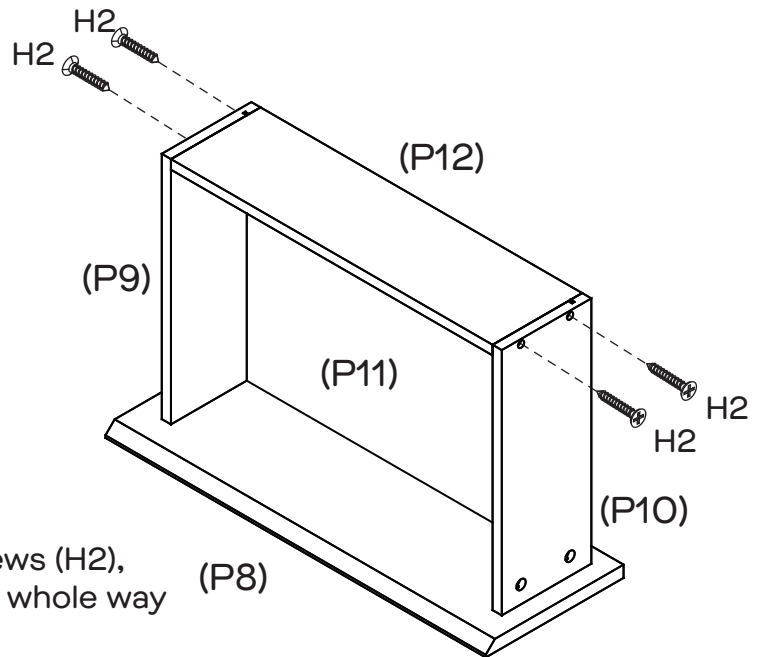
## Step 11



Slide Drawer Base (P11) into the groove in Drawer Sides (P9) and (P10).

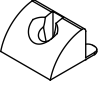


## Step 12

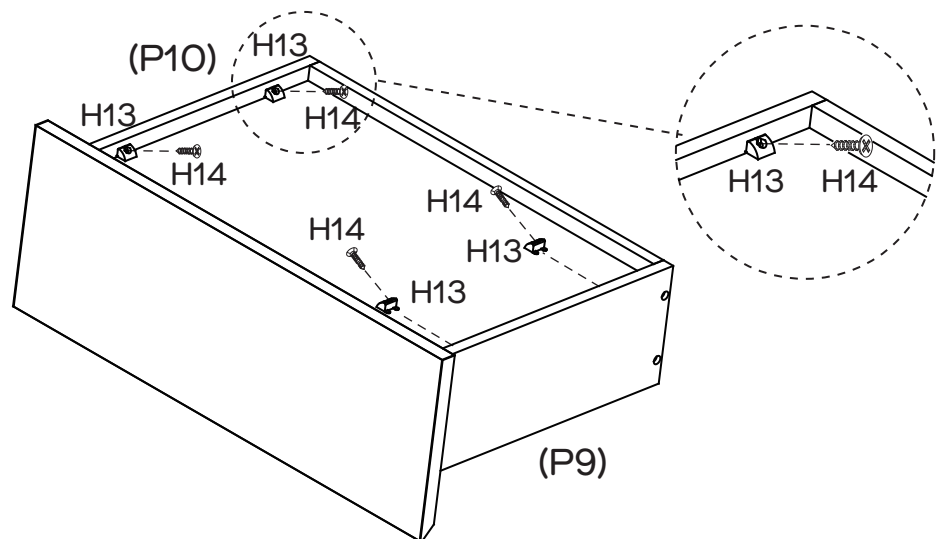
You will need	
	
4 x long Screws (H2)	Phillips Head Screwdriver



Attach Drawer Back (P12) to Drawer Sides (P9) and (P10) with 4 x Long Screws (H2), make sure that the groove lines up the whole way around the drawer.

## Step 13

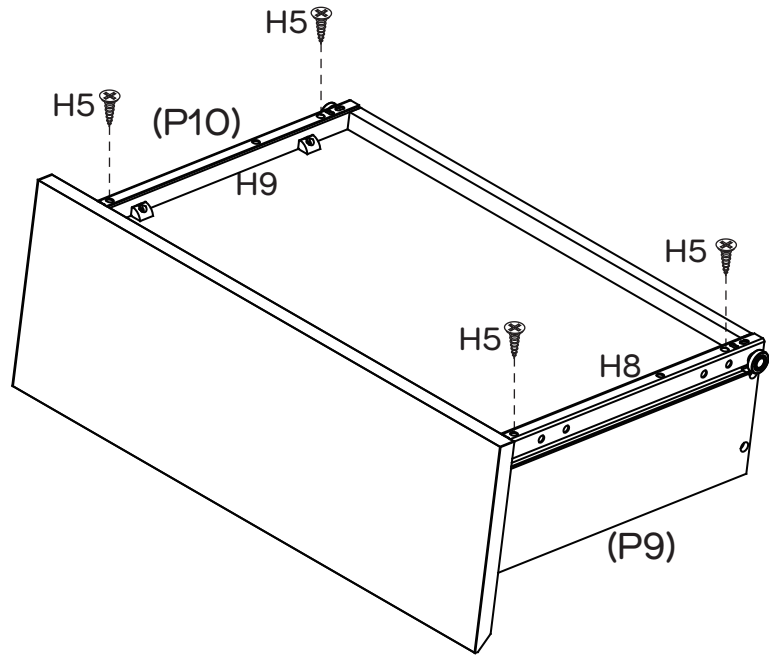
You will need	
	
4 x Wedges (H13)	4 x Screws (H14)
	
Phillips Head Screwdriver	



Attach 4 x Wedges (H13) into the gap between Drawer Sides (P9,P10) and Drawer Base (P11) with 4 x Screws (H14).

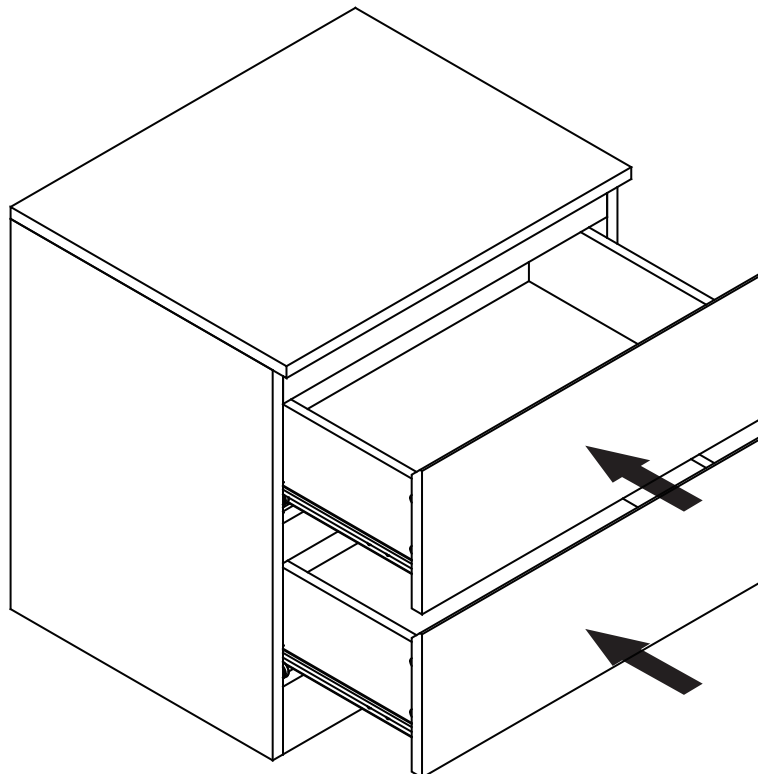
## Step 14

You will need	
1 x DL Runner (H8)	1 x DR Runner (H9)
4 x Small Screws (H5)	Phillips Head Screwdriver

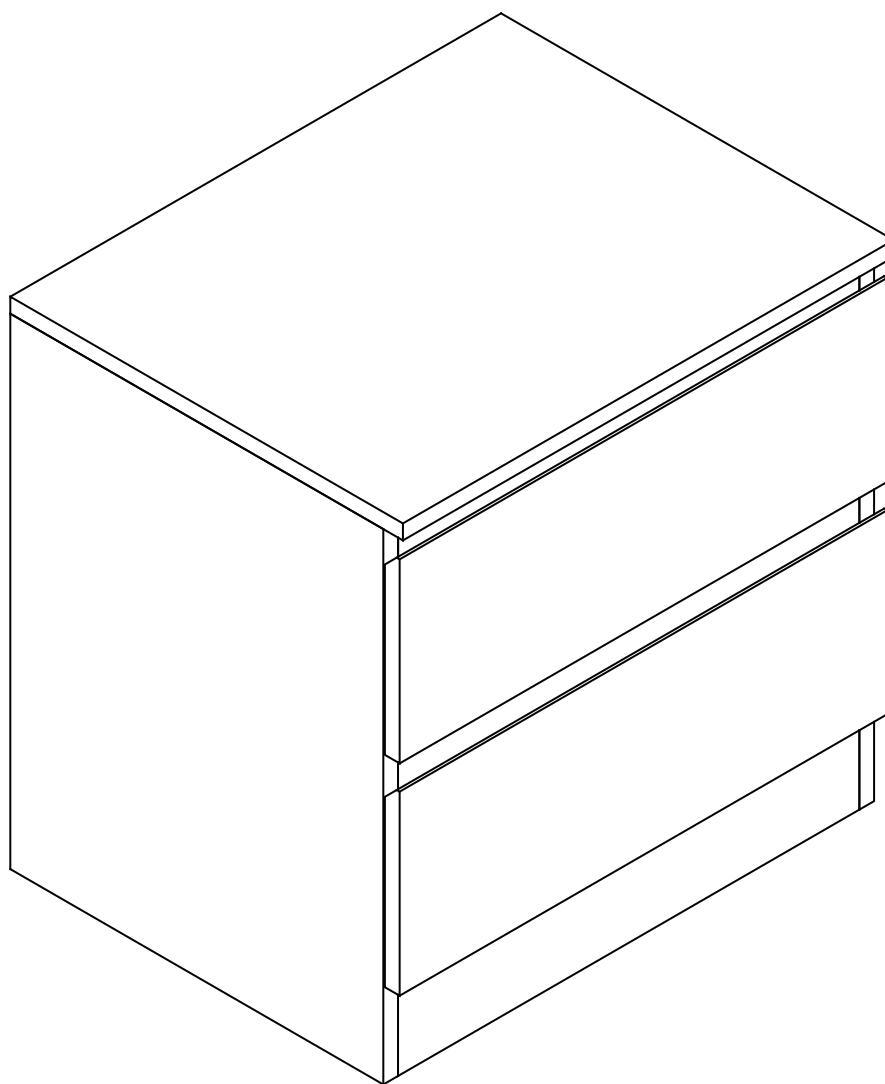


Attach 1 x DL Runner (H8) to the bottom of Left Drawer Side (P9) and 1 x DR Runner (H9) to the bottom of Right Drawer Side (P10) with 4 x Small Screws (H5). Repeat step 9 to step 14 to assemble the other drawer.

## Step 15



Insert the assembled drawers into the corresponding compartments as shown. Ensure the drawers slide easily along the rails.



## Job Complete!

In the interest of our environment please dispose of all packaging thoughtfully.