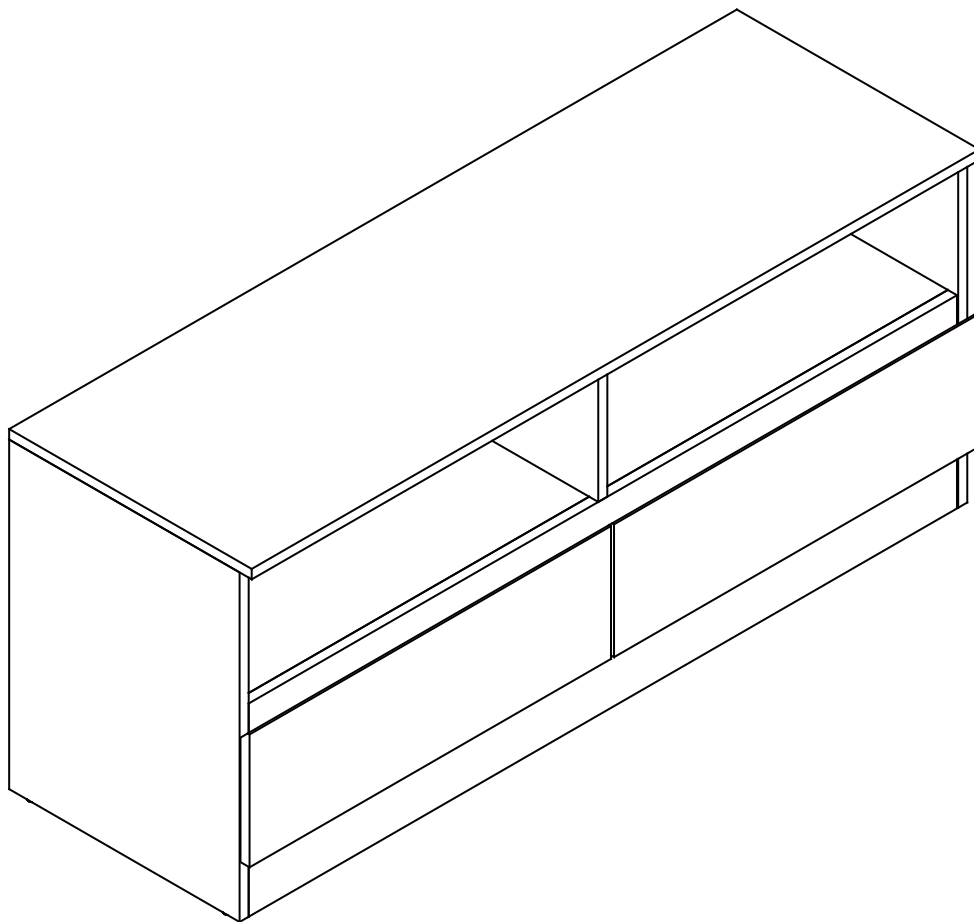


Assembly Instructions

COMO

LOWLINE SMALL 1200MM



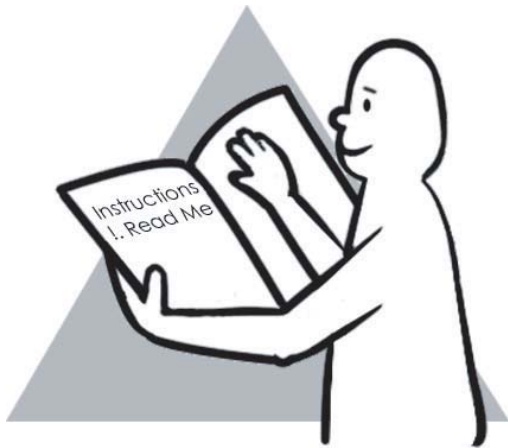
VER 1.1



WARNING

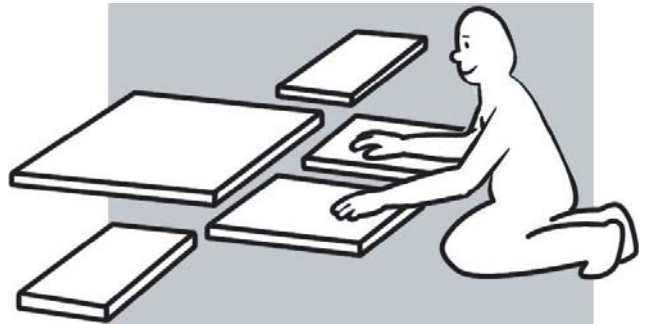
FAILURE TO FOLLOW THESE BASIC STEPS CAN LEAD TO DAMAGE THAT IS NOT COVERED BY YOUR WARRANTY

1



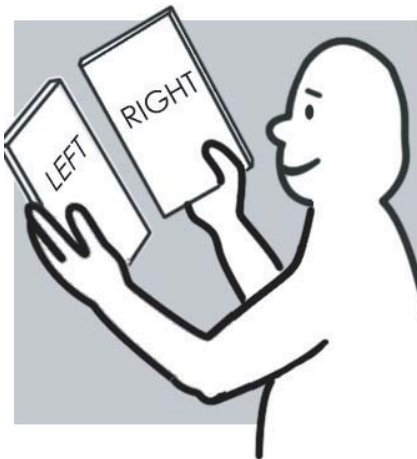
Read Instructions carefully. Check no parts are missing.

2



Lay out all of the components on a soft surface as if you were preparing to do a jigsaw puzzle.

3



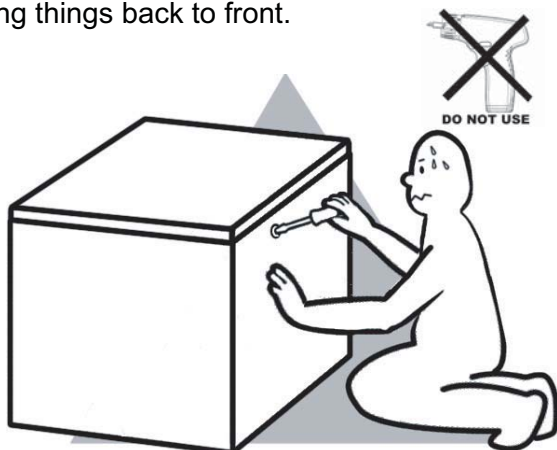
Carefully identify each component, especially those that are similar. The most common mistake is getting things back to front.

4



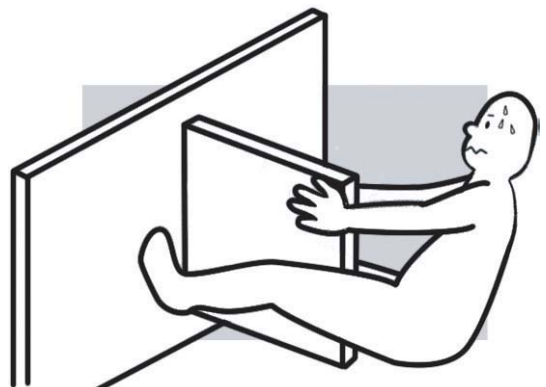
Separate and identify each component from the hardware pack and rest each one in its proper location before fastening.

5



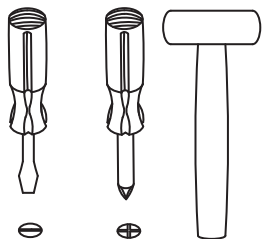
DO NOT fully tighten screws (leave slightly loose). When the item is fully assembled tighten the screws - but do not over tighten.

6



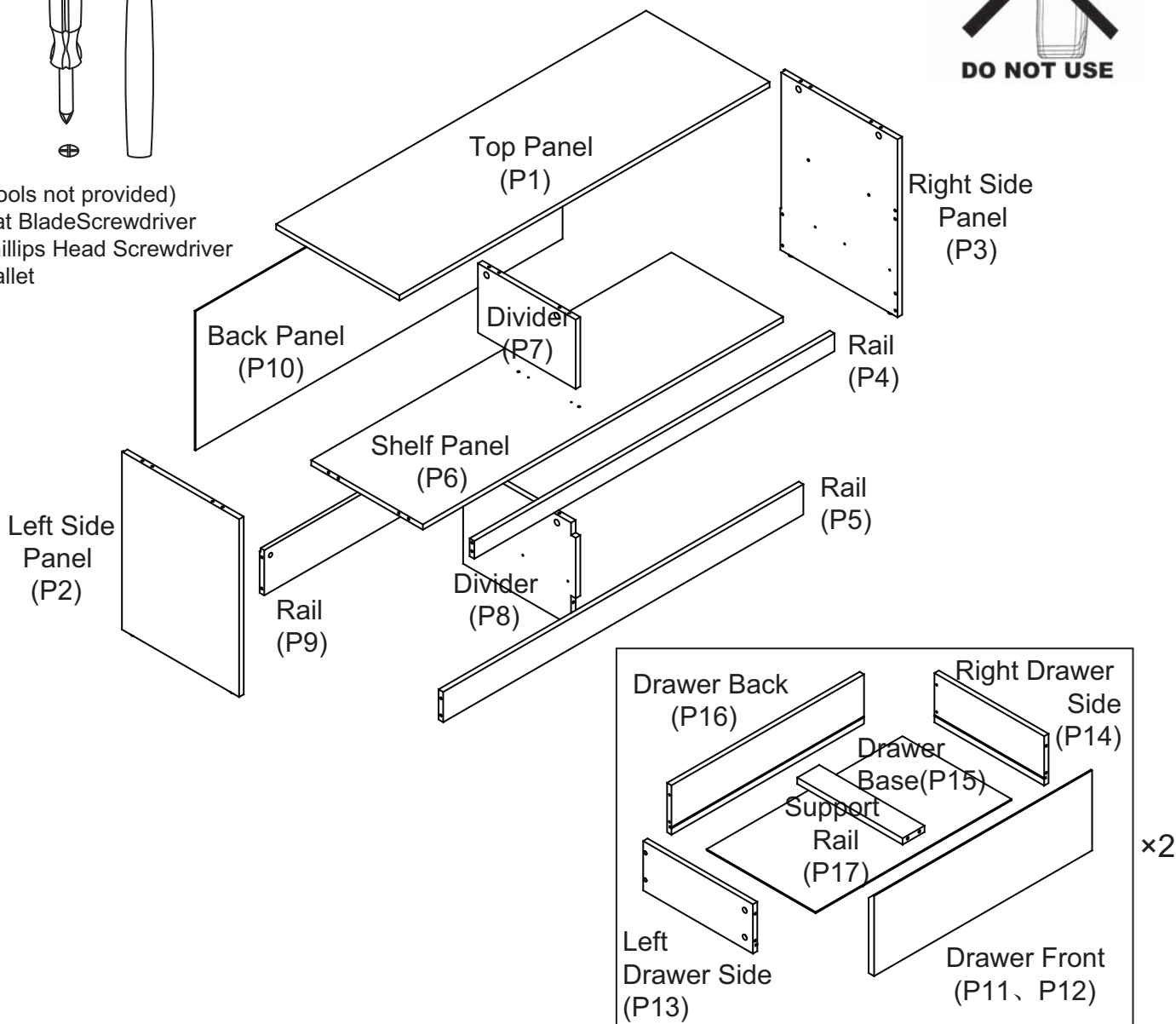
If glue is required **DO NOT** set until you are certain that the parts belong together.

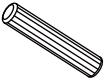
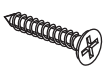
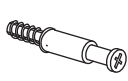


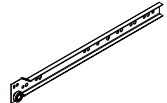
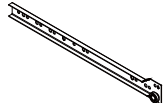
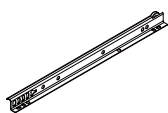
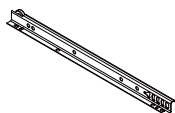
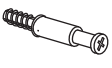



What You Need



To Assemble The Body

(Tools not provided)
 Flat Blade Screwdriver
 Phillips Head Screwdriver
 Mallet

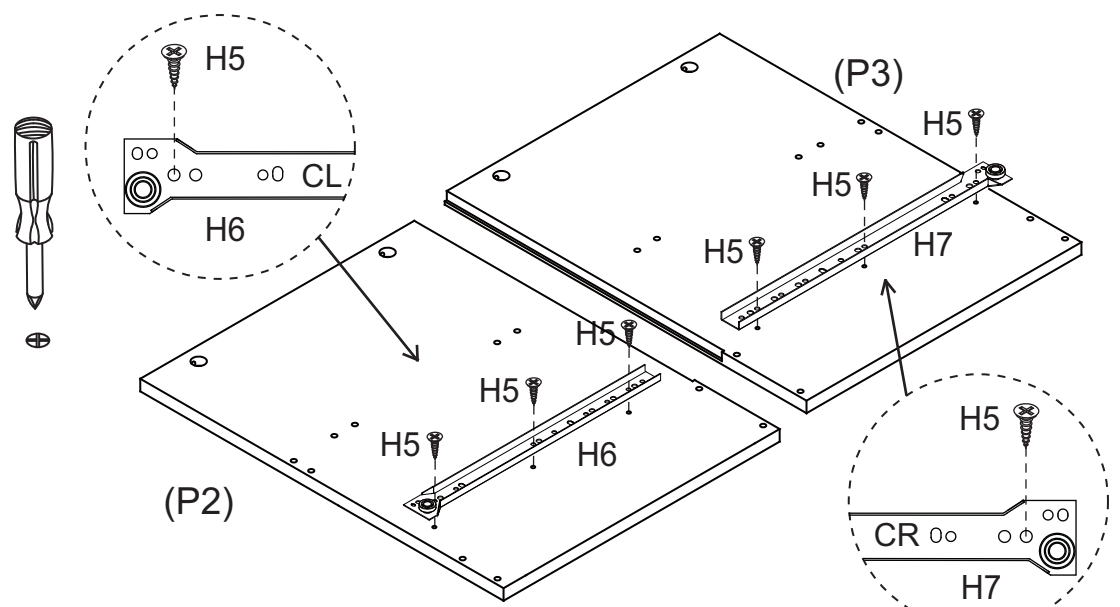


						
25 x Dowels (H1)	12 x Screws (H2)	19 x Cam Bolts (H3)	19 x Cam Nuts (H4)	34 x Small Screws (H5)	2 x CL Runner Tracks (H6)	2 x CR Runner Tracks (H7)
						
2 x DL Runners (H8)	2 x DR Runners (H9)	10 x Small Cam Bolts (H10)	10 x Small Cam Nuts (H11)	4 x Long Screws (H12)	6 x Plastic Glides (H13)	

Please make sure you have all these parts before you start.

Step 1

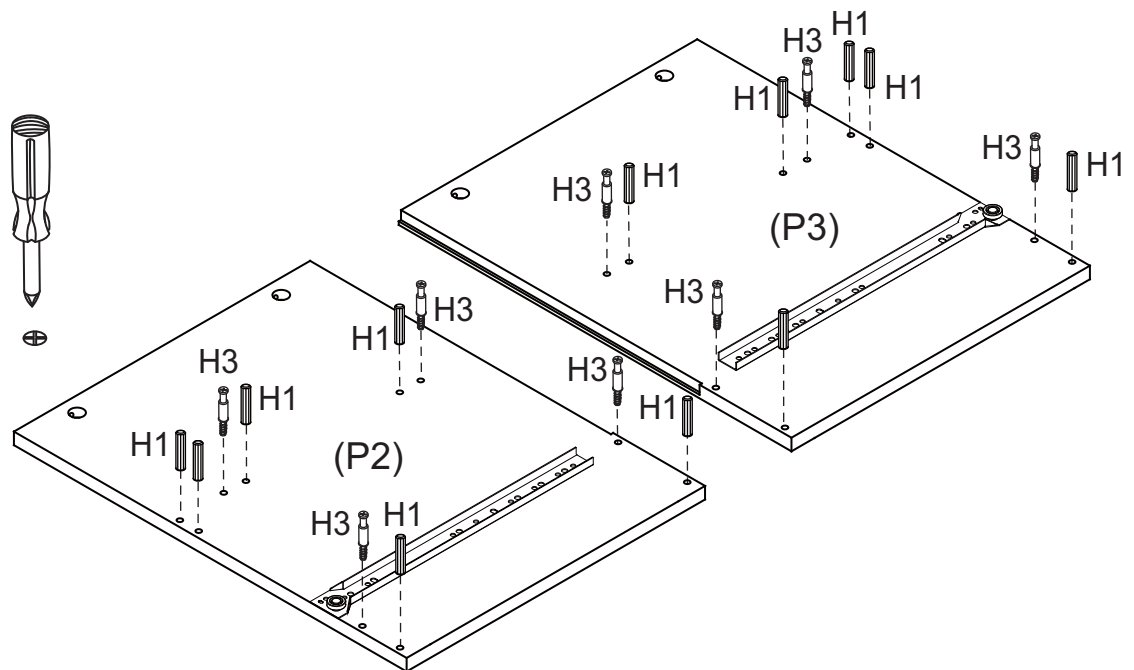
You will need:	
1 x CL Runner Track (H6)	
1 x CR Runner Track (H7)	
6 x Small Screws (H5)	



Attach 1 x CL Runner Track (H6) to Left Side Panel (P2) and 1 x CR Runner Track (H7) to Right Side Panel (P3) with 6 x Small Screws (H5).

Step 2

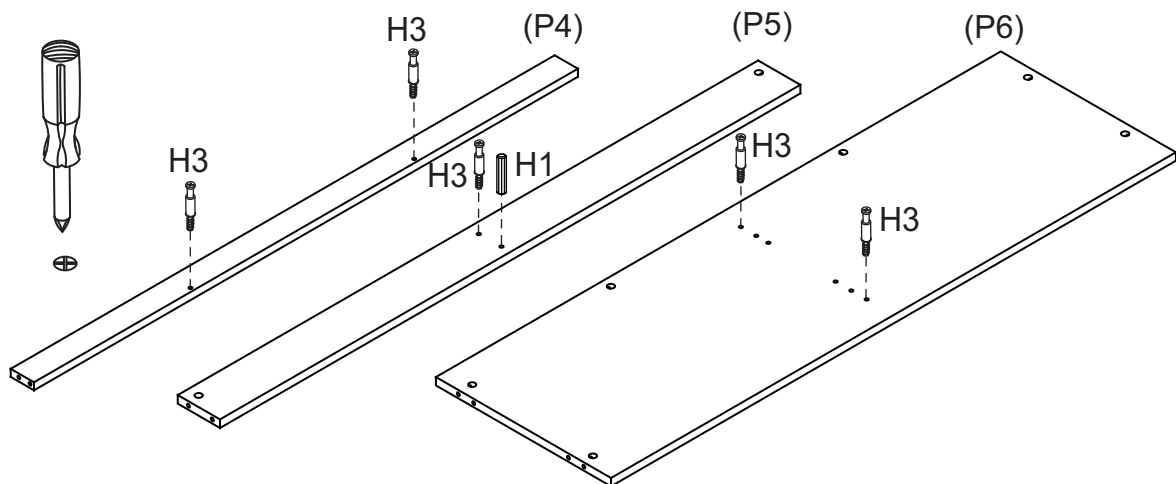
You will need:	
12 x Dowels (H1)	
8 x Cam Bolts (H3)	



Insert 12 x Dowels (H1) into Side Panels (P2) and (P3), Attach 8 x Cam Bolts (H3) into them as shown.


Step 3

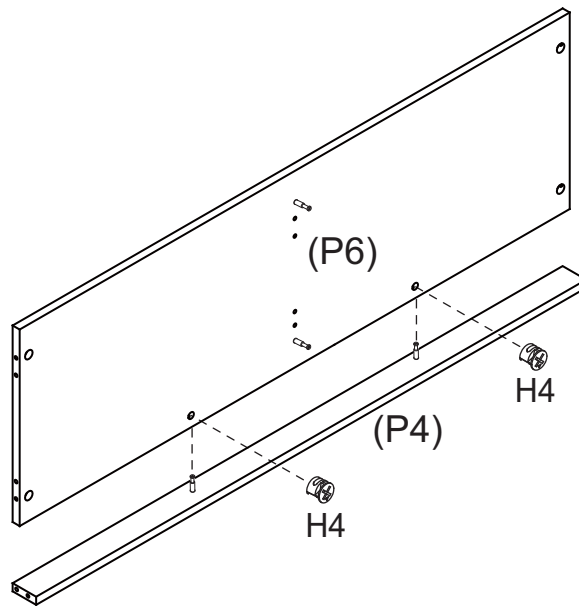
You will need:	
1 x Dowel (H1)	
5 x Cam Bolts (H3)	



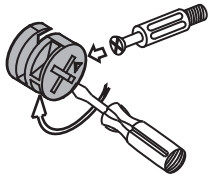
Insert 1 x Dowel (H1) into Rail (P5). Attach 5 x Cam Bolts (H3) into Rails (P4,P5) and Shelf Panel (P6) as shown.

Step 4

You will need:	
2 x Cam Nuts (H4)	





This is how a cam nut works.....

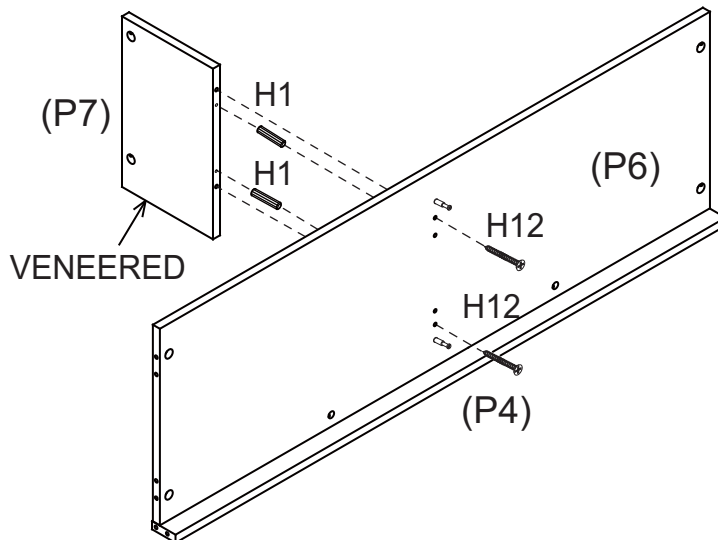


The head of the cam bolt goes into the open mouth of the cam nut. You then turn the cam nut so it tightens over the bolt.

Insert 2 x Cam Nuts (H4) into the holes of Shelf Panel (P6).
 Rotate the cam nuts so the arrows point towards the incoming cam bolts.
 Push Shelf Panel (P6) onto Rail (P4) and tighten the cam nuts.

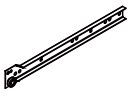
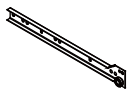

Step 5

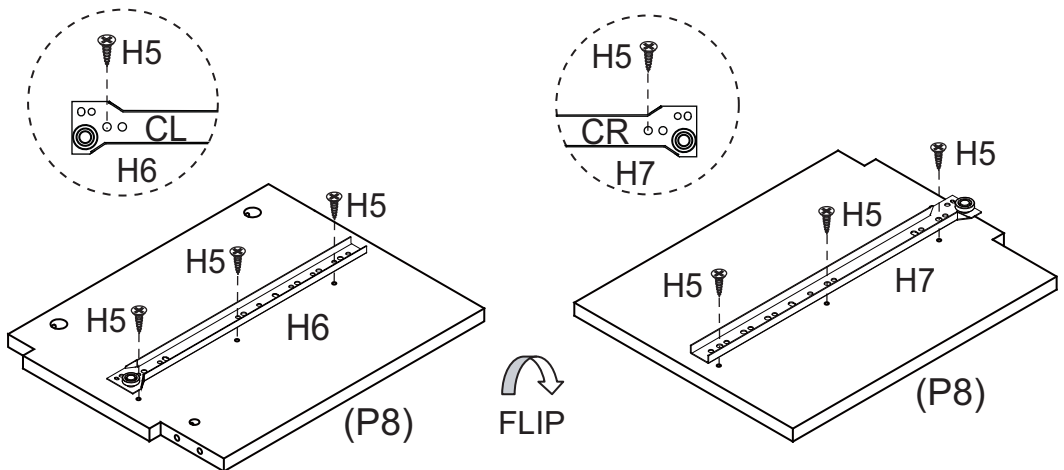
You will need:	
2 x Dowels (H1)	
2 x Long Screws (H12)	



Insert 2 x Dowels (H1) into the holes of Divider (P7).
 Attach Divider (P7) to Shelf Panel (P6) with 2 x Long Screws (H12).



Step 6

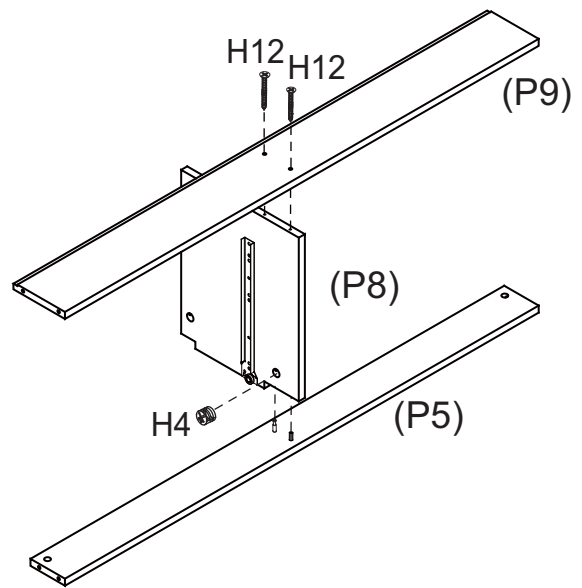
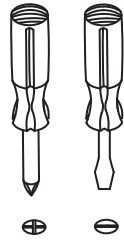
You will need:	
1 x CL Runner Track (H6)	
1 x CR Runner Track (H7)	
6 x Small Screws (H5)	



Attach 1 x CL Runner Track (H6) to Divider (P8) with 3 x Small Screws (H5) as shown, and then turn over to the other side.
 Attach 1 x CR Runner Track (H7) with 3 x Small Screws (H5).



Step 7

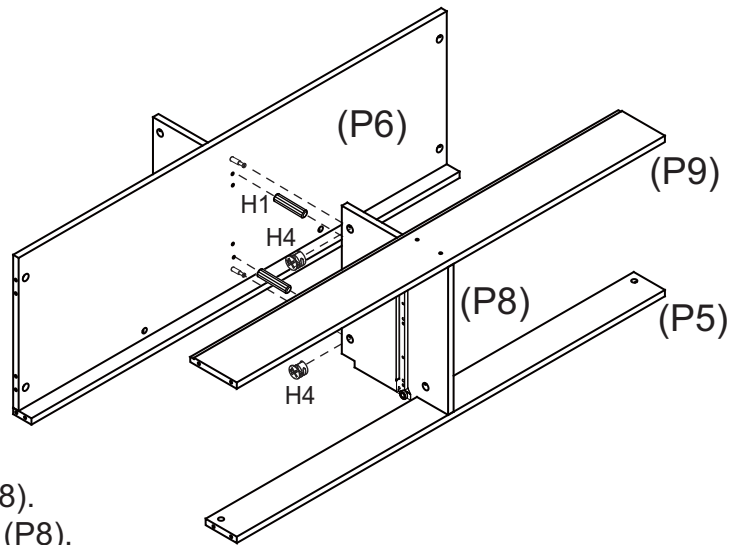
You will need:	
1 x Cam Nut (H4)	
2 x Long Screws (H12)	



Insert 1 x Cam Nut (H4) into the hole of Divider (P8).
 Rotate the cam nuts so the arrows point towards the incoming cam bolt.
 Push Divider (P8) onto Rail (P5) place and tighten the cam nuts.
 Attach Rail (P9) to Divider (P8) with 2 x Long Screws (H12).


Step 8

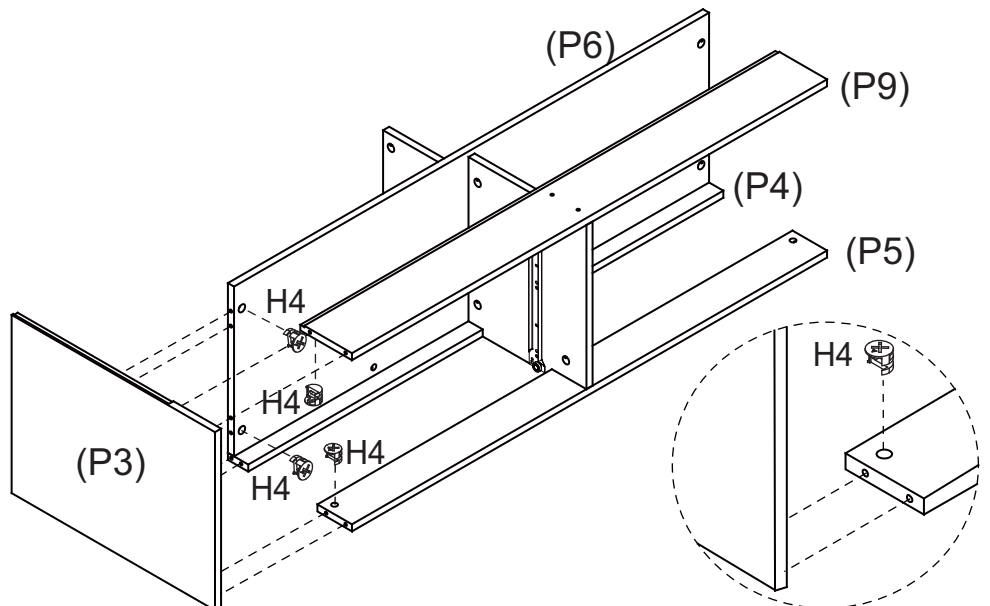
You will need:	
2 x Dowels (H1)	
2 x Cam Nuts (H4)	



Insert 2 x Dowels (H1) into the holes of Divider (P8).
 Insert 2 x Cam Nuts (H4) into the holes of Divider (P8).
 Rotate the cam nuts so the arrows point towards the incoming cam bolts.
 Push Shelf Panel (P6) into place and tighten the cam nuts.


Step 9

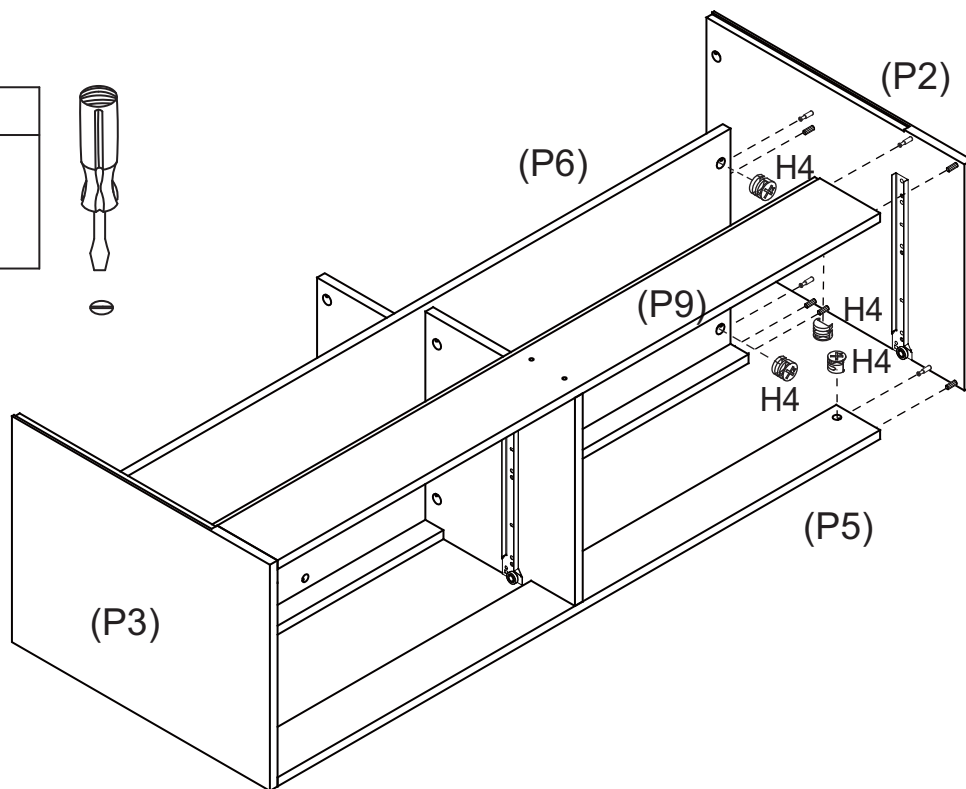
You will need:	
4 x Cam Nuts (H4)	



Insert 4 x Cam Nuts (H4) into the holes of Shelf Panel (P6) and Rails (P5,P9).
 Rotate the cam nuts so the arrows point towards the incoming cam bolts.
 Push Right Side Panel (P3) into place and tighten the cam nuts.


Step 10

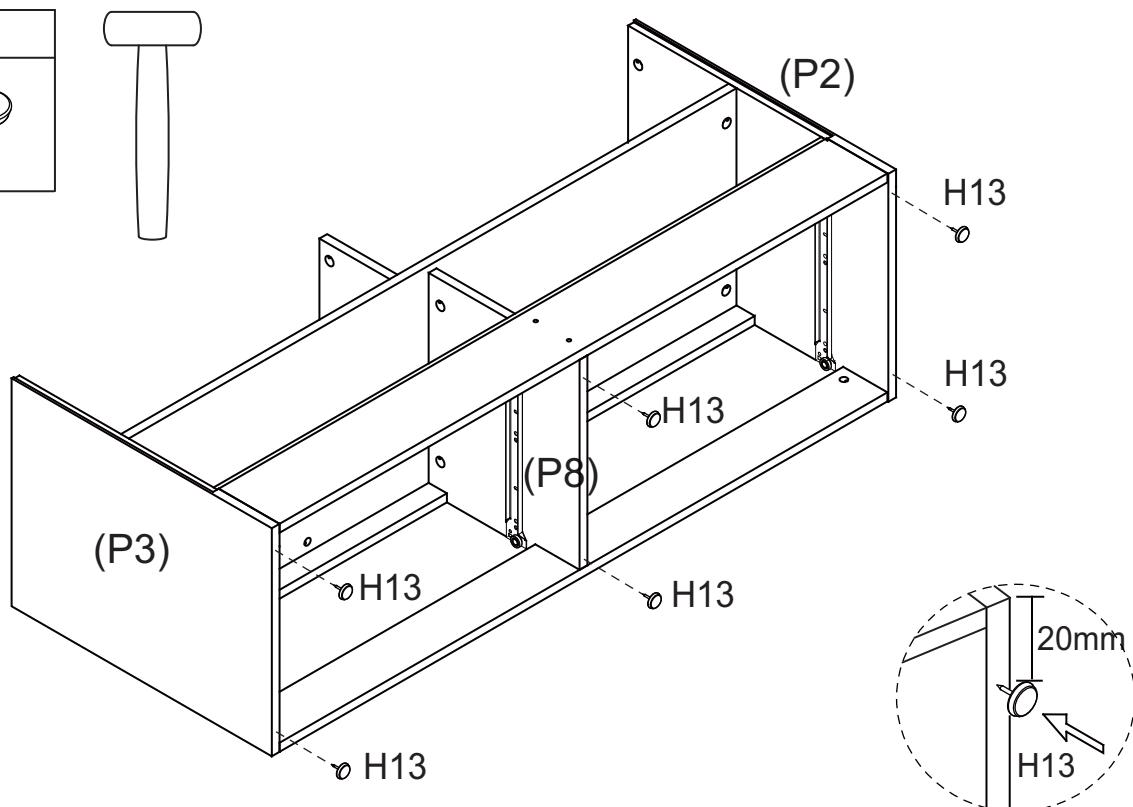
You will need:	
4 x Cam Nuts (H4)	



Insert 4 x Cam Nuts (H4) into the holes of Shelf Panel (P6) and Rails (P5,P9).
Rotate the cam nuts so the arrows point towards the incoming cam bolts.
Push Left Side Panel (P2) into place and tighten the cam nuts.


Step 11

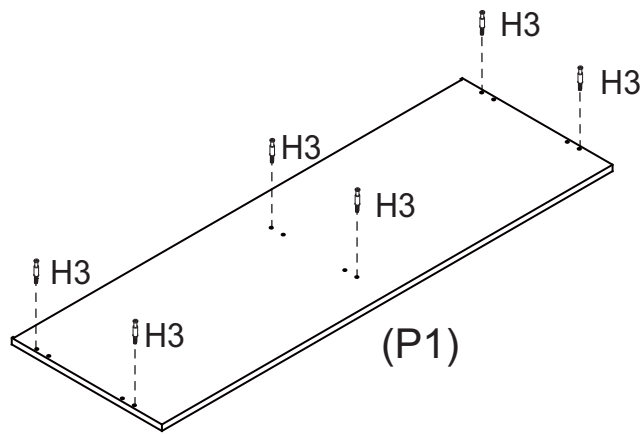
You will need:	
6 x Plastic Glides (H13)	



Hammer 6 x Plastic Glides (H13)
on Side Panels (P2,P3) and Divider (P8).



Step 12

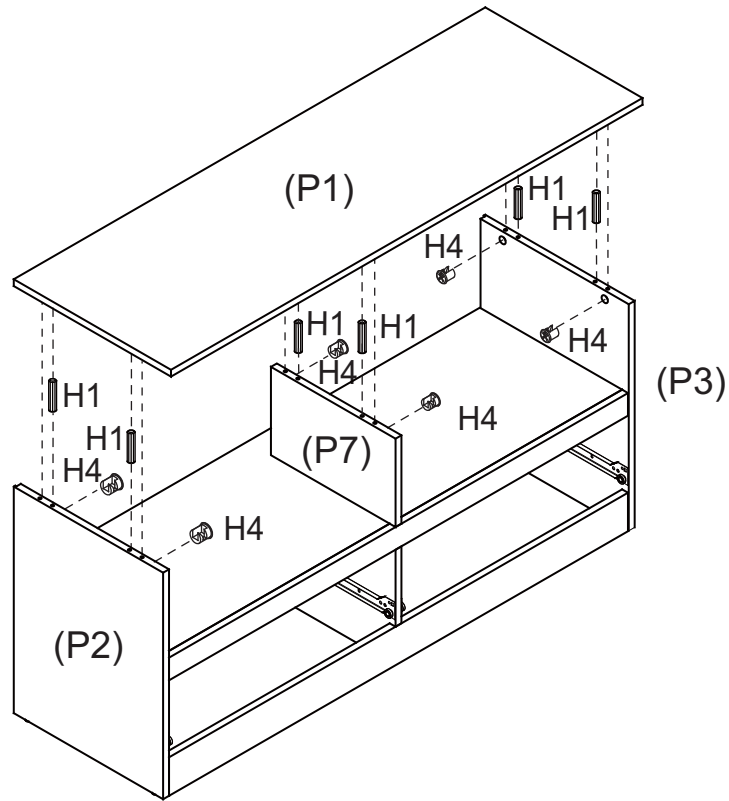
You will need:	
6 x Cam Bolts (H3)	



Attach 6 x Cam Bolts (H3) into Top Panel (P1) as shown.

Step 13

You will need:	
6 x Dowels (H1)	
6 x Cam Nuts (H4)	



Turn carcass onto feet.


Insert 6 x Dowels (H1) into the holes of Side Panels (P2,P3) and Divider (P7).

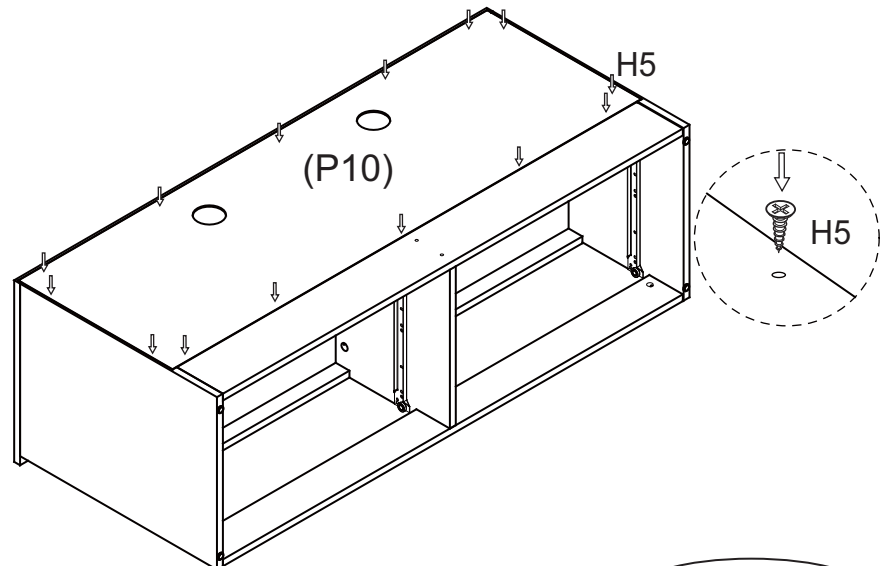
Insert 6 x Cam Nuts (H4) into the holes of Side Panels (P2,P3) and Divider (P7).

Rotate the cam nuts so the arrows point towardsthe incoming cam bolts.

Attach Top panel (P1) and tighten the cam nuts.

Step 14

You will need:	
14 x Small Screws (H5)	





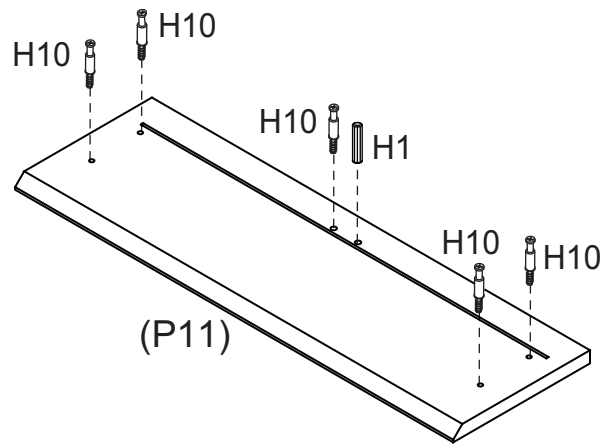
Turn carcass onto front.

Put Back Panel (P10) into the groove on the back of the carcass, colour faces inside.

Attach with 14 x Small Screws (H5).


Step 15

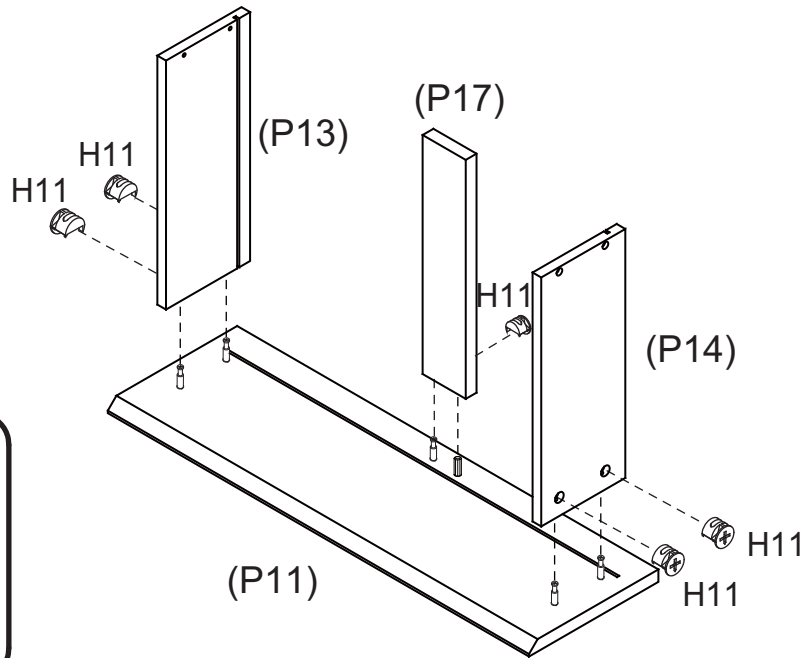
You will need:	
5 x Small Cam Bolts (H10)	
1 x Dowel (H1)	



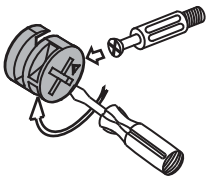
Insert 1 x Dowel (H1) into the hole of Drawer Front (P11).
Attach 5 x Small Cam Bolts (H10) as shown.

Step 16

You will need:	
5 x Small Cam Nuts (H11)	



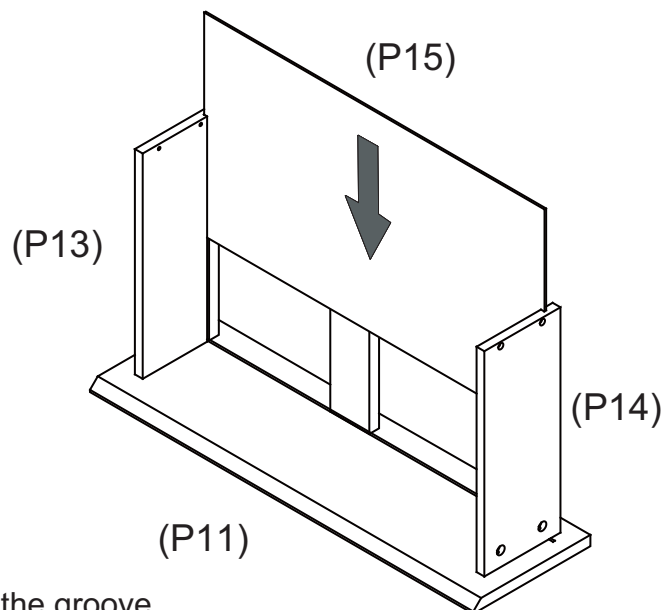
This is how a cam nut works.....



The head of the cam bolt goes into the open mouth of the cam nut. You then turn the cam nut so it tightens over the bolt.


Insert 5 x Small Cam Nuts (H11) into the holes of Drawer Sides (P13,P14) and Support Rail (P17).
Rotate the cam nuts so the arrows point towards the incoming cam bolts.
Push Drawer Sides (P13,P14) and Support Rail (P17) into place and tighten the cam nuts.

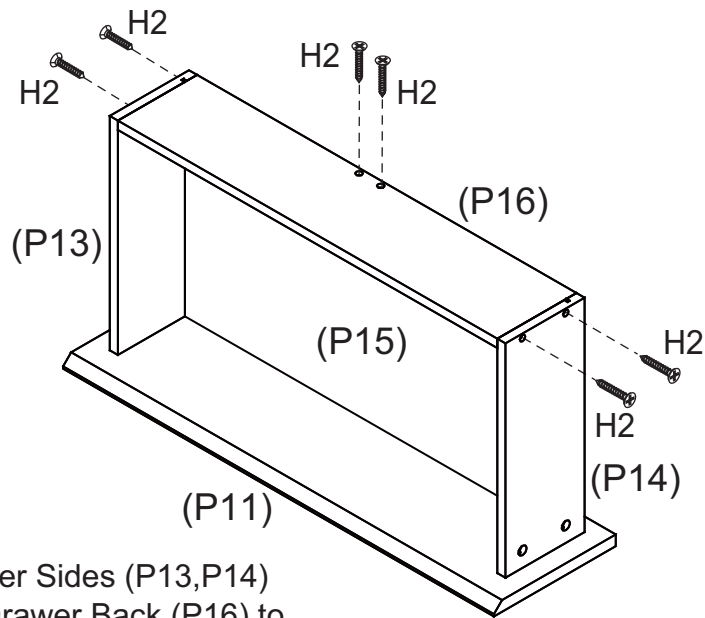
Step 17



Slide Drawer Base (P15) into the groove in Drawer Sides (P13) and (P14) .

Step 18

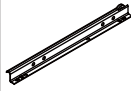
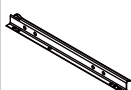

You will need:	
6 x Screws (H2)	

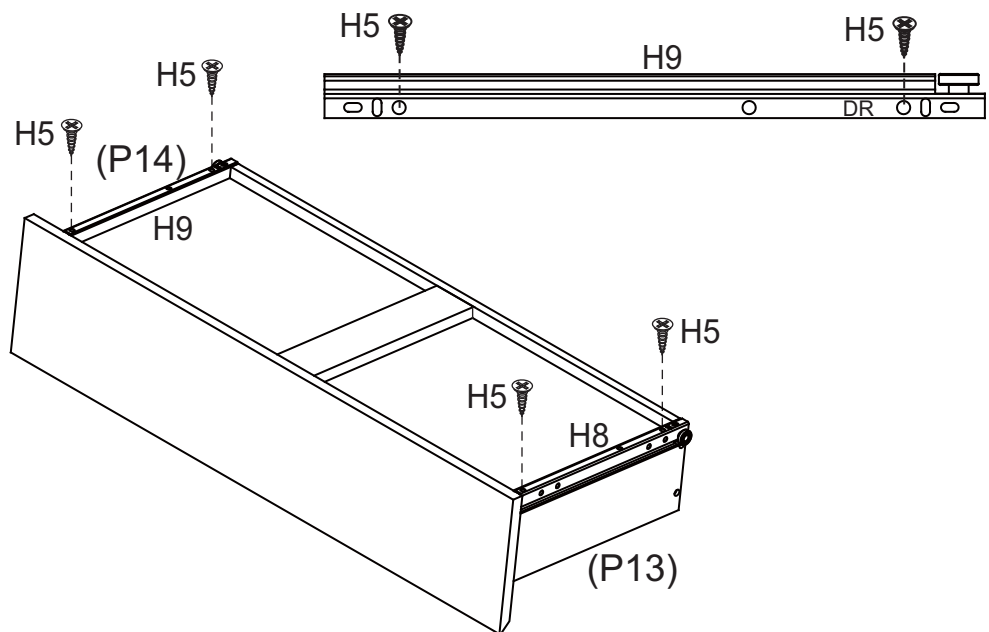


Attach Drawer Back (P16) to Drawer Sides (P13,P14) with 4 x Screws (H2), then attach Drawer Back (P16) to Support Rail (P17) with 2 x Screws (H2).

Make sure that the groove lines up the whole way around the drawer.

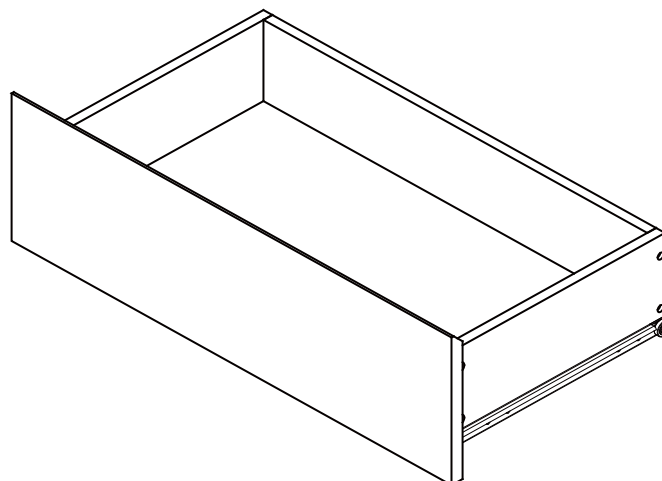
Step 19

You will need:	
1 x DL Runner (H8)	
1 x DR Runner (H9)	
4 x Small Screws (H5)	



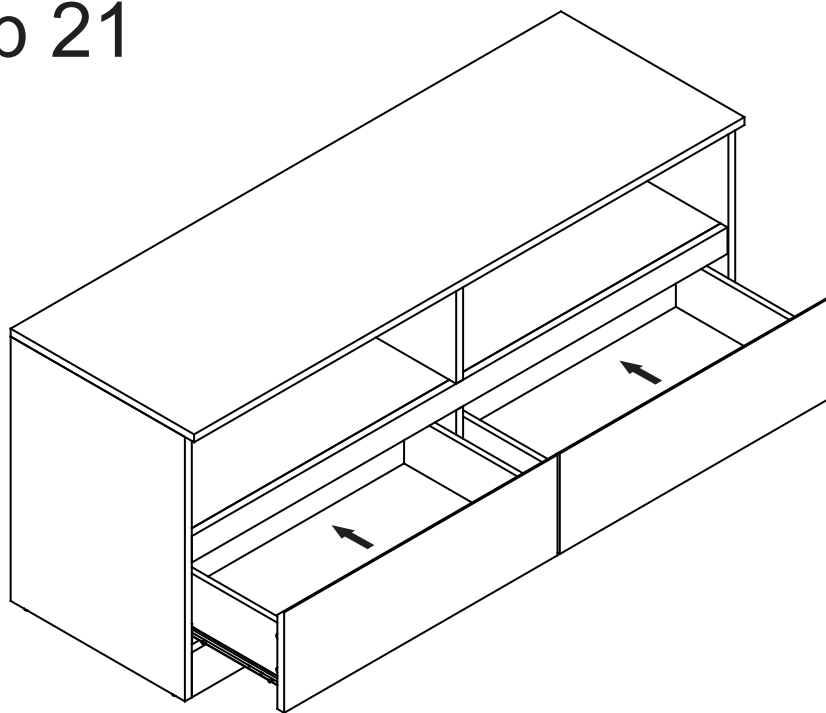
Attach 1 x DL Runner (H8) to the bottom of Drawer Side (P13) and 1 x DR Runner (H9) to the bottom of Drawer Side (P14) with 4 x Small Screws (H5).

Step 20

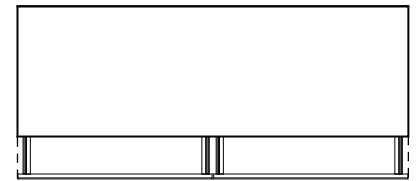


Repeat step 15 to step 19 to assemble the other drawer.

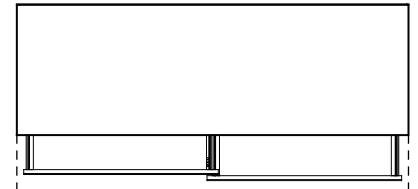
Step 21



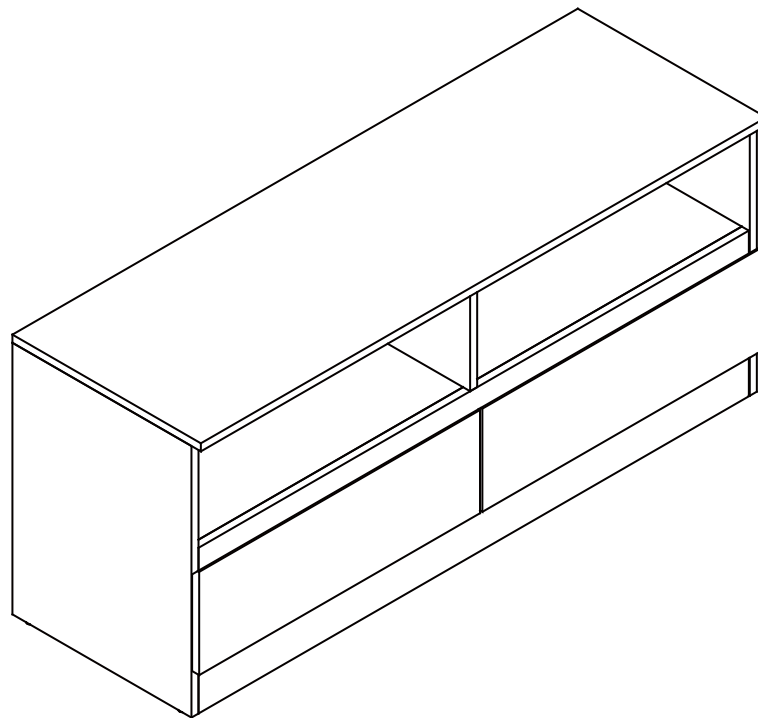
Top View



Left (P11) Right (P12)



There are specific Left (P11) and Right (P12) Drawers.
Put the drawers into the chest. So the drawer fronts align with the outside of the side panels.



Please make sure your chest is sitting squarely on the floor, then tighten all the screws and bolts – being careful not to over tighten

The job is now complete!

In the interest of our environment
Please dispose of all packaging thoughtfully.