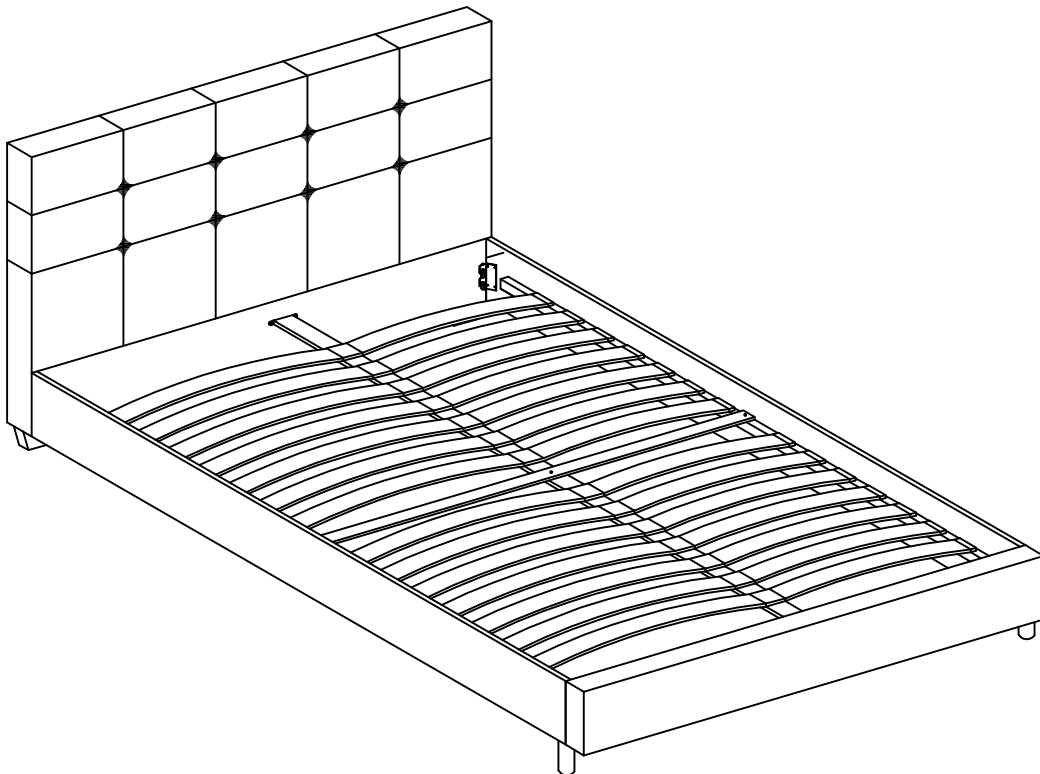


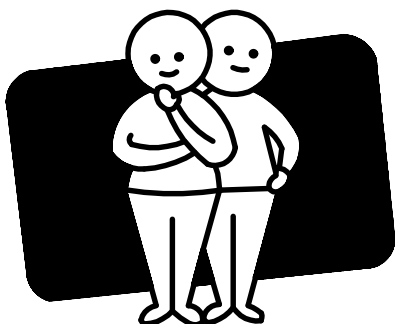


**Fantastic
Furniture**

Version 1.2



TWO PEOPLE



REQUIRED

MODENA

QUEEN BED

fantasticfurniture.com.au

Looks like you've found your fantastic!

We're thrilled you've chosen Fantastic furniture
to help create a home you'll love!



Fantastic Furniture

Love it? Share it!

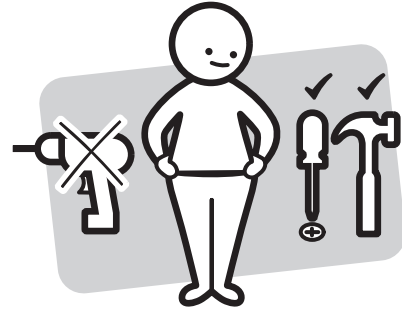
Fantastic buy! Share how it looks at home on Instagram for
your chance to win a \$250 Fantastic Furniture Gift Card!

@fantasticfurniture

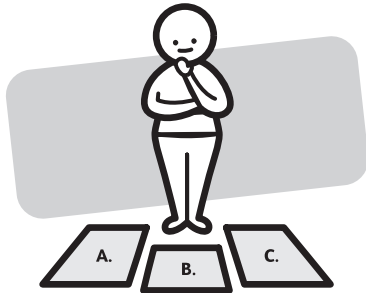
Assembly checklist



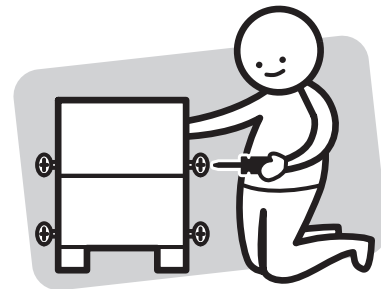
Read through the instructions carefully before you begin.



Make sure you have all the required tools. Never use power tools unless instructed.



Identify and lay out all of the components before you begin assembly.



Unless instructed, do not fully tighten screws until the item is fully assembled.

Useful information

- ! Never use power tools unless specifically instructed. They can damage your components or hardware if used incorrectly.
- ! The most common mistakes made during assembly are using the wrong hardware or getting components back to front.
- ! Always use a soft surface (such as carpet or cardboard) when assembling your product to avoid scratching or damaging the surface of the product.
- ! Bulky items such as wardrobes and bunk beds should be assembled in the room they will be used in as they may not fit through a door once assembled.
- ! Never use any glue until you are certain that the parts belong together.
- ! Periodically check and re-tighten all fasteners. Check the product care label or website for product care instructions.
- ! If you are having any difficulties assembling your product, missing any hardware or components please visit our website Help Centre for further assistance.
- ! Please see page 2 for any safety requirements or weight restrictions.

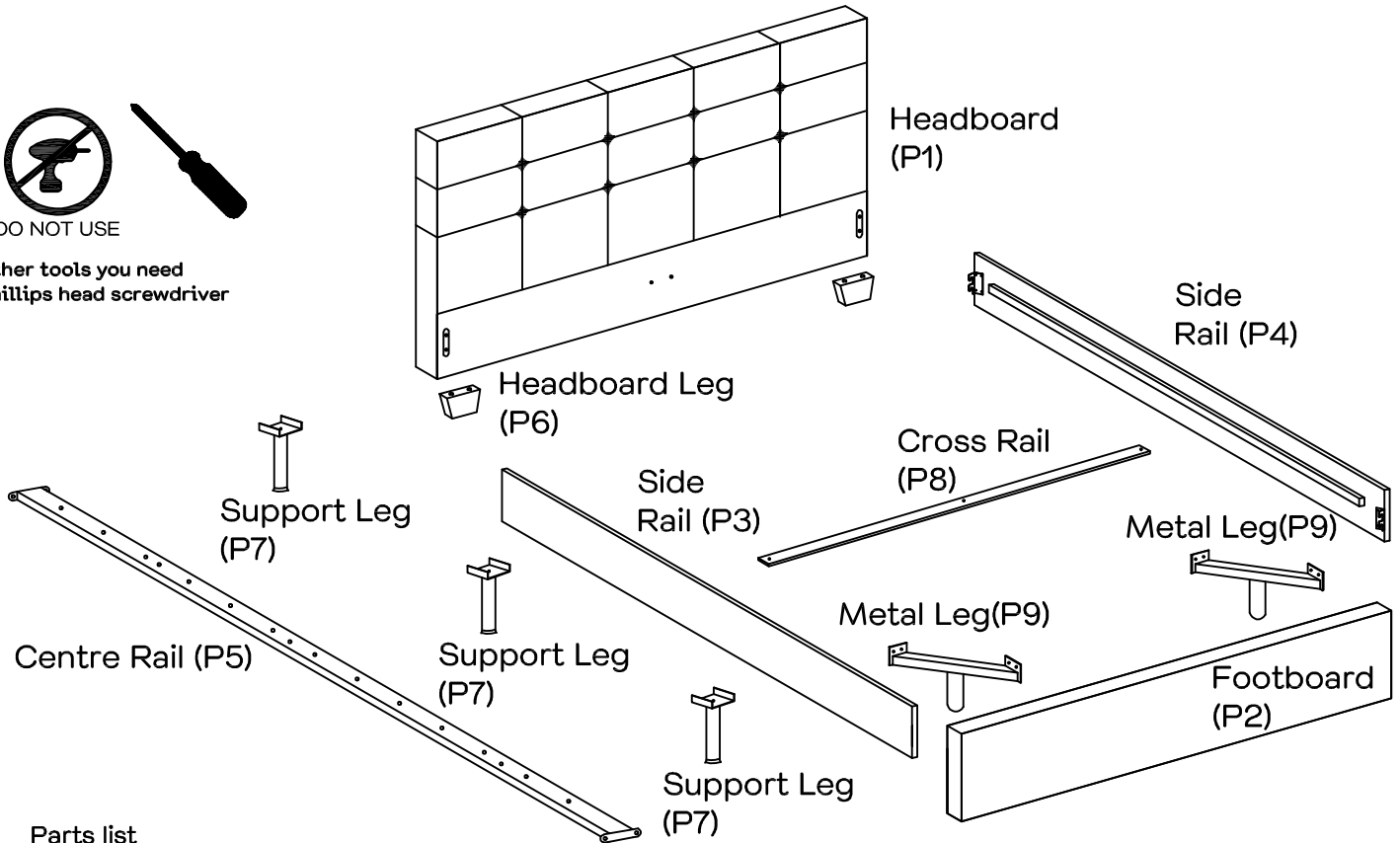
What you need to assemble the product



DO NOT USE



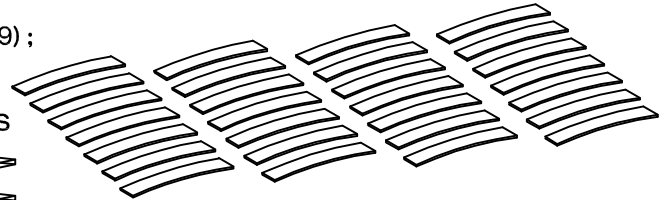
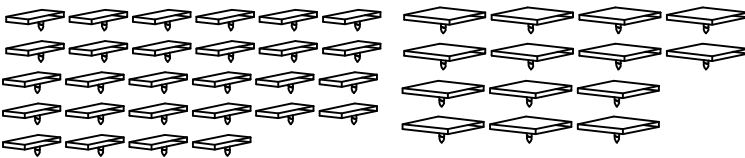
Other tools you need
Phillips head screwdriver



Parts list

Box 1: Footboard (P2) ; Left Side Rail (P3) ; Right Side Rail (P4) ;
Centre Rail (P5) ; Cross Rail (P8) ; Hardware Pack
Box 2: Headboard (P1) ; Headboard Leg (P5) ; Metal Leg (P9) ;
Support leg (P7)

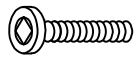
28 x End Connectors 14 x Center Connectors



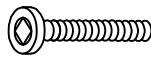
28 x Fantastic Furniture
Comfort Slat™ Queen



12 x Bolts
20 mm (H1)



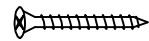
2 x Bolts
40 mm (H2)



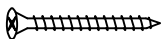
1 x Bolts
60 mm (H3)



4 x Small Screw
20 mm (H4)



2 x Medium Screw
32 mm (H5)



4 x Large Screw
50 mm (H6)



12 x Spring Washers
(H7)



12 x Flat Washers
(H8)



3 x Adjuster
35 mm (H9)

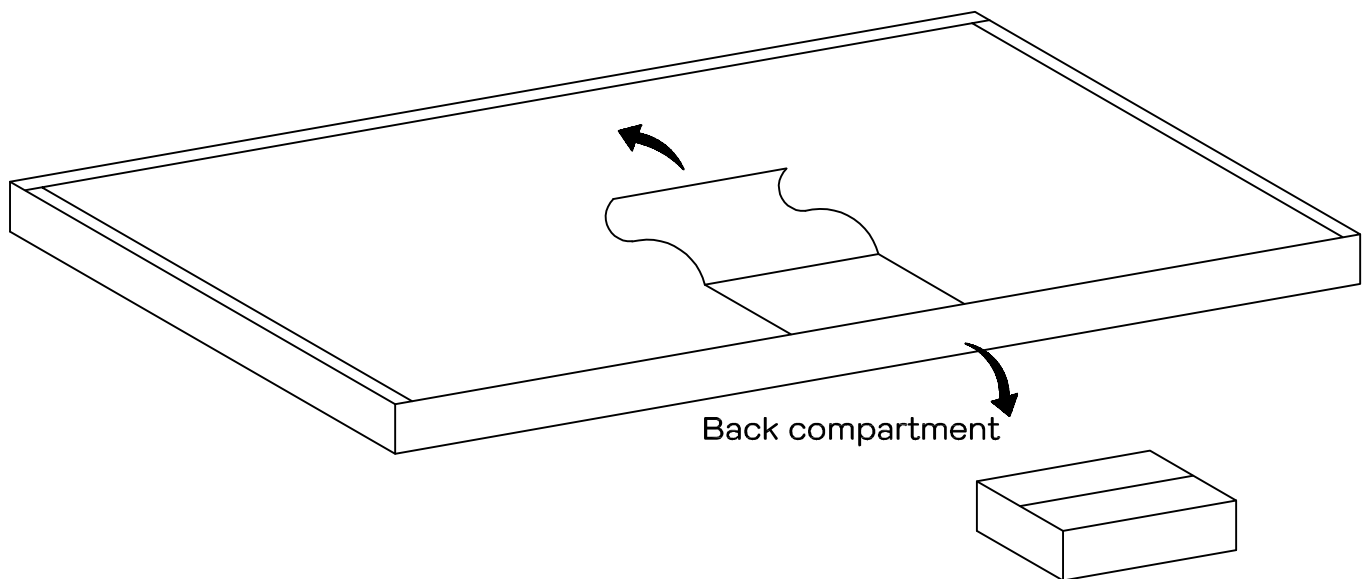


1 x Allen Key
M5 x 70mm
(H10)



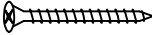

1 x Allen Key
M4 x 65mm
(H11)

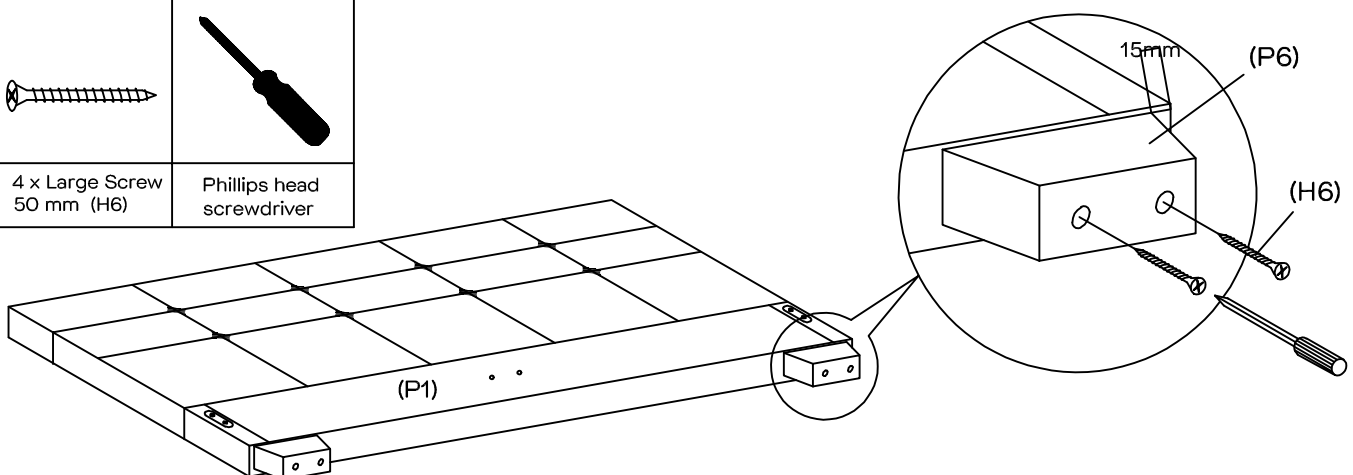
Step 1



Please take out the leg carton from back of headboard
(inside the Back compartment)

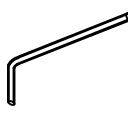
Step 2

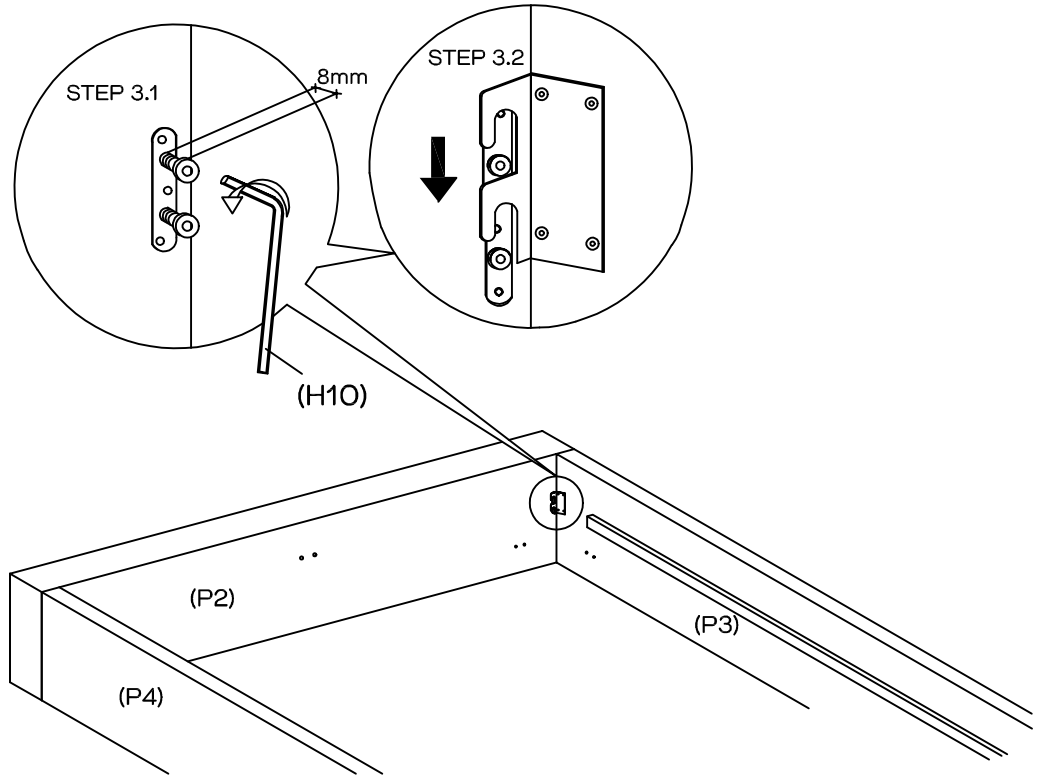
You will need	
	
4 x Large Screw 50 mm (H6)	Phillips head screwdriver



Attach legs (P6) to the bottom of headboard (P1) with 4 x large screws (H6). The self-tapping screws provided do not require a hole to attach. Apply some pressure to the screw at the beginning, it will start to work itself into the timber frame. Keep applying the pressure as you screw until the leg is firmly attached. Repeat for the 3 other screws.

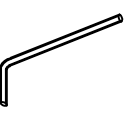
Step 3

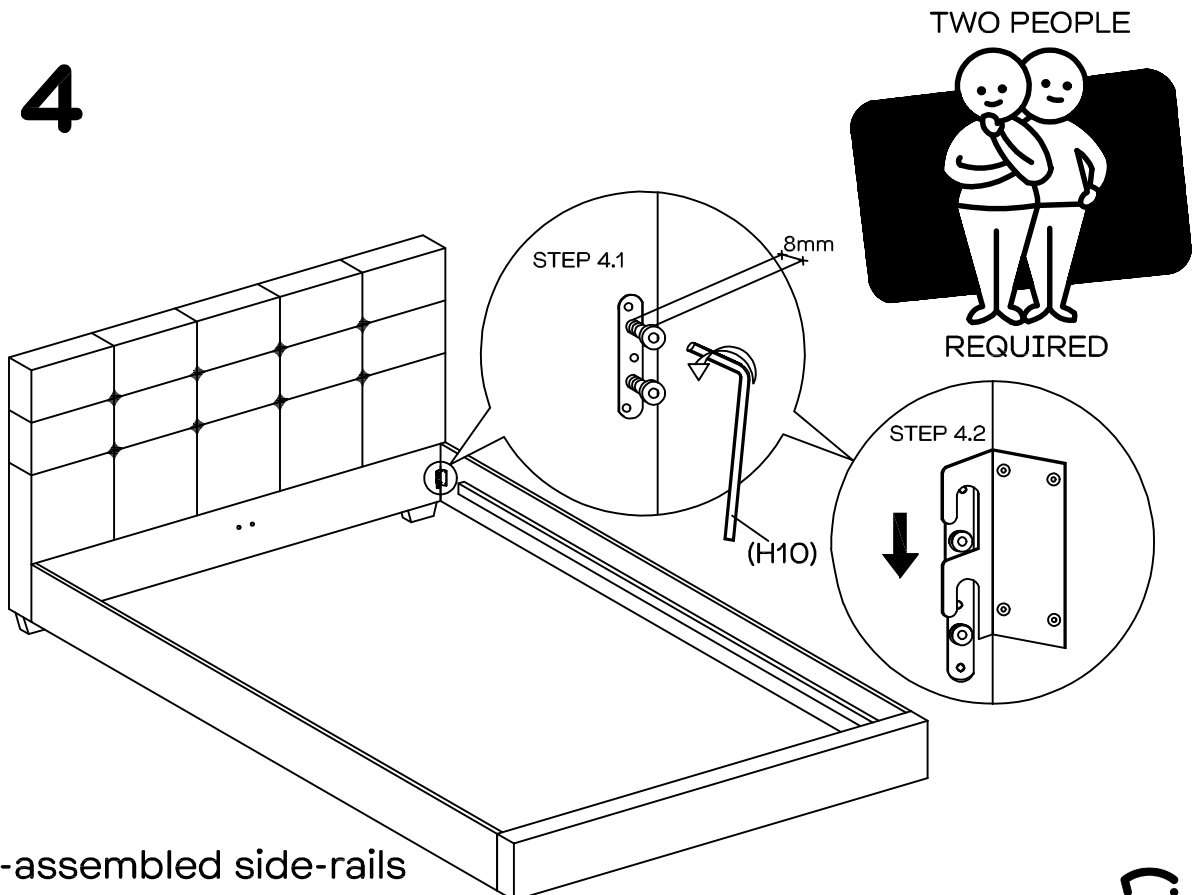
You will need

1 x Allen Key M5 x 70mm (H10)



Loosen the bolts about 8mm as show.
Attach bed footboard to Side-rails with slotted brackets.

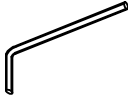
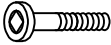


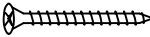

Step 4

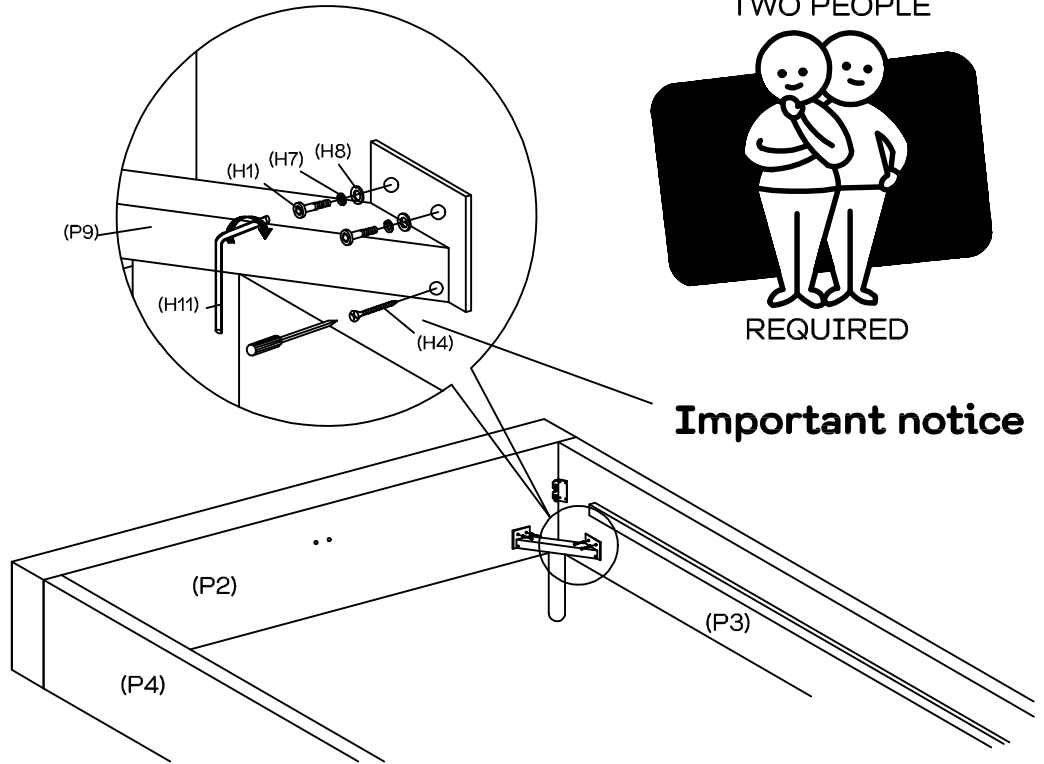
You will need

1 x Allen Key M5 x 70mm (H10)



Attach pre-assembled side-rails
and footboard to bedhead. 2
people required.

Step 5


You will need	
	
1 x Allen Key M4 x 65mm (H11)	8 x Bolts 20 mm (H1)
	
8 x Spring Washers (H7)	8 x Flat Washers (H8)
	
4 x Small Screw 20mm (H4)	Phillips head screwdriver

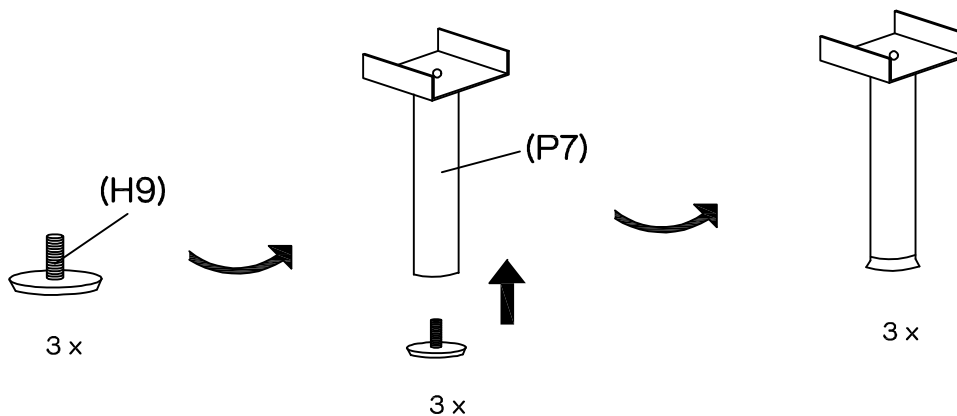


Important notice

Attach P9 to side-rail and footboard, on both corners. 2 people required
(1 person needs to support the other corner while attaching the 1st P9 to the bed.)
(Important notice : Please ensure H4 is attach into P3,P4 and P2. This is important.)

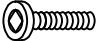
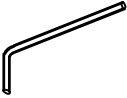
Step 6

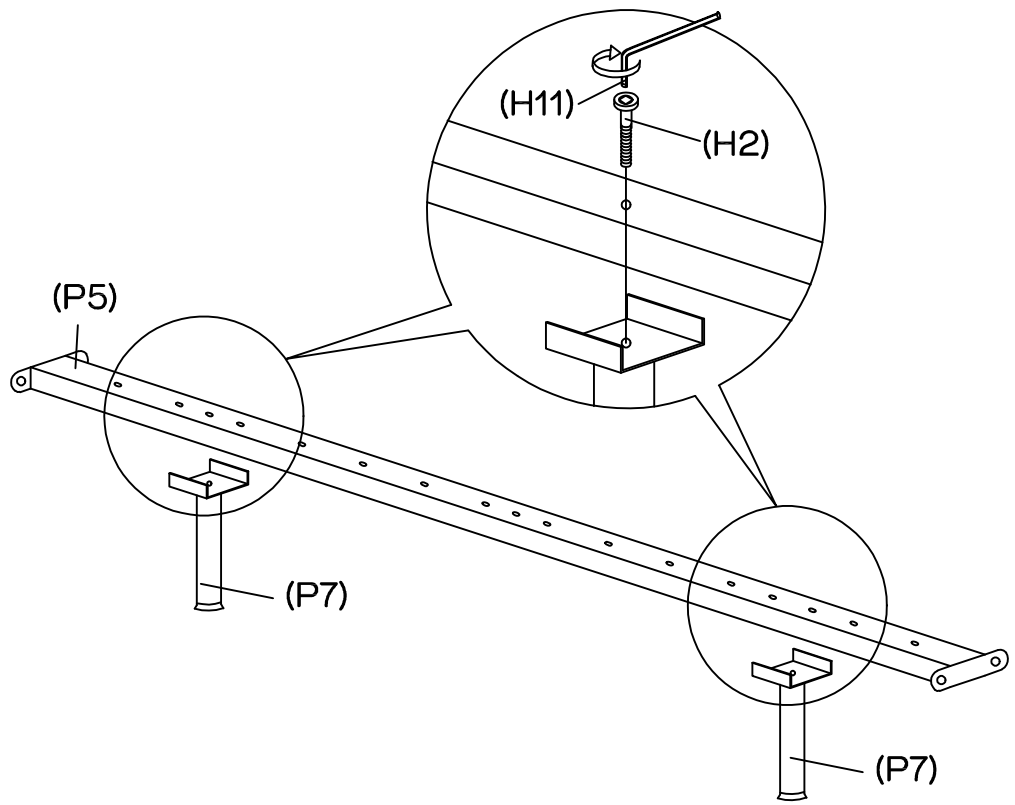
You will need

3 x Adjuster 35 mm (H9)



Attach adjuster (H9) to support legs (P7). Please ensure the adjuster (H9) is completely retracted / screwed in.

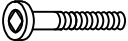

Step 7

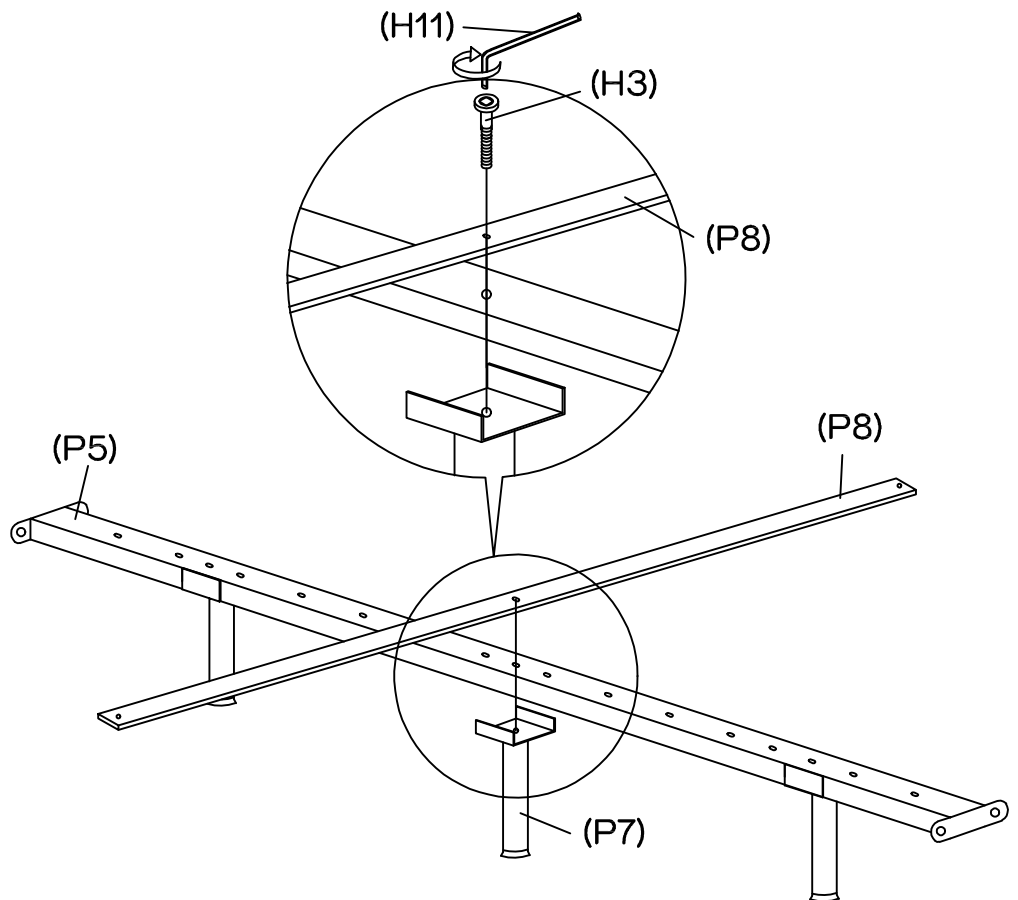
You will need	
	
2 x Bolts 40mm (H2)	1 x Allen Key M4 x 65mm (H11)



Attach each support legs (P7) to the centre rail (P5) using 2x bolts (H2) as shown.

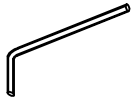
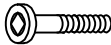


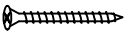

Step 8

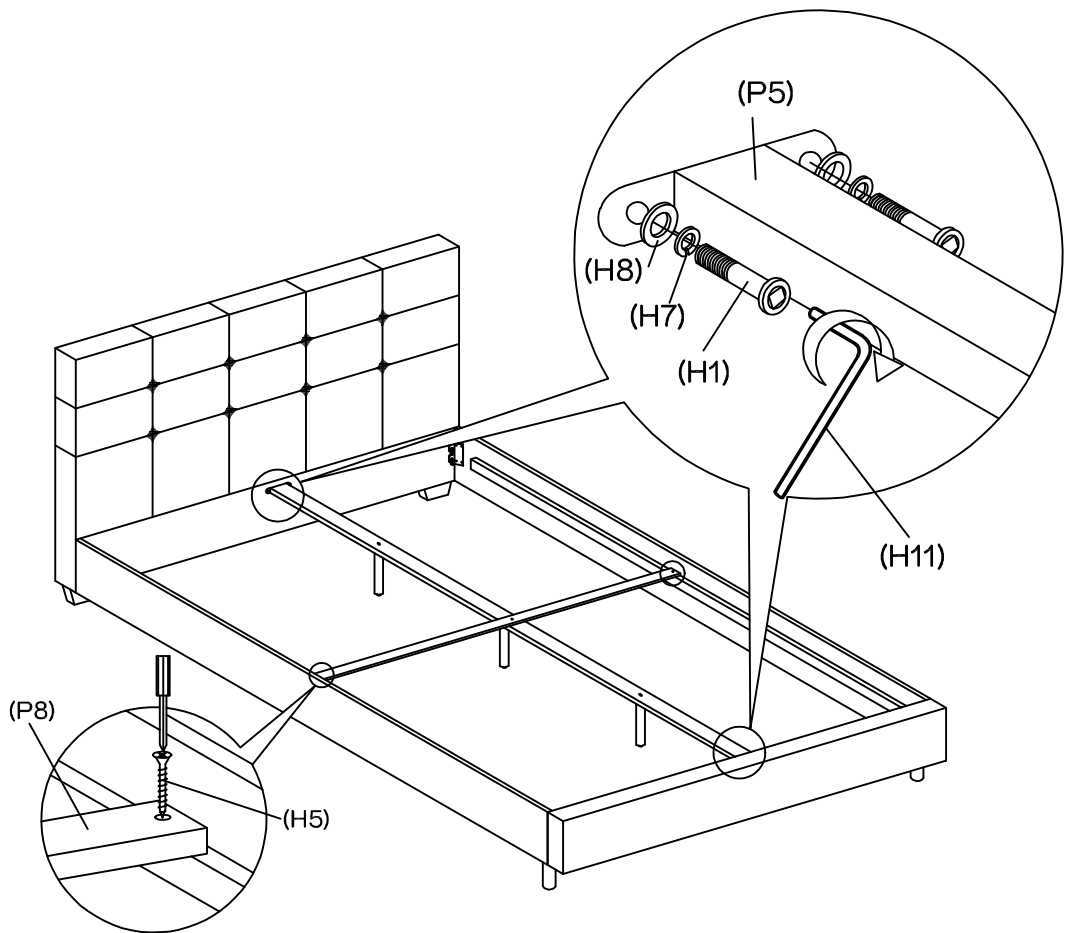
You will need	
	
1 x Bolts 60 mm (H3)	1 x Allen Key M4 x 65mm (H11)



Attach support legs (P7) to the centre rail (P5) and the cross rail (P8) using 1x bolts (H3) as shown.




Step 9

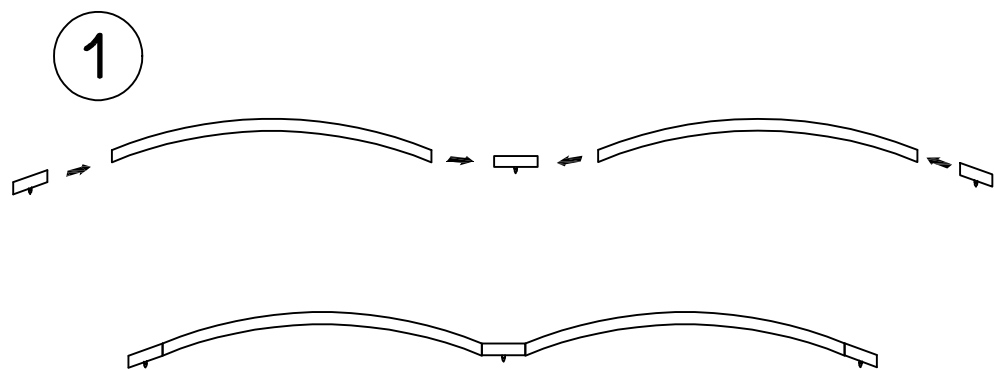
You will need	
	
1 x Allen Key M4 x 65mm (H11)	4 x Bolts 20 mm (H1)
	
4 x Spring Washers (H8)	4 x Flat Washers (H9)
	
2 x Medium Screw 32mm (H5)	Phillips head screwdriver



Attach centre rail (P5) to the Headboard (P1) and Footboard (P2) using 4x bolts (H1), Spring Washers (H7) and Flat Washers (H8) as shown. Attach the cross rail (P8) to the centre of side rails (P3,P4) using medium screw (H5).

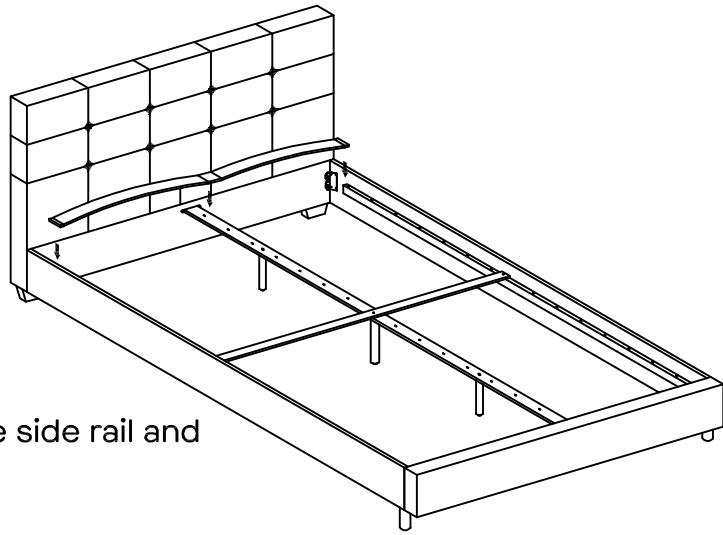
Step 10

You will need	
	
28 x End Connectors	14 x Center Connectors
	
28 x Fantastic Furniture Comfort Slat™ Double	



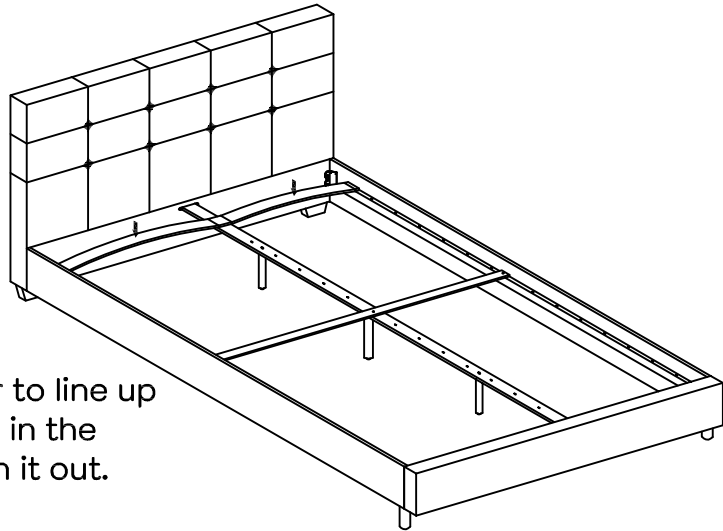
Push 2 End Connectors, 2 Fantastic Furniture ComfortSlat™ Double and a Centre Connector together.

2



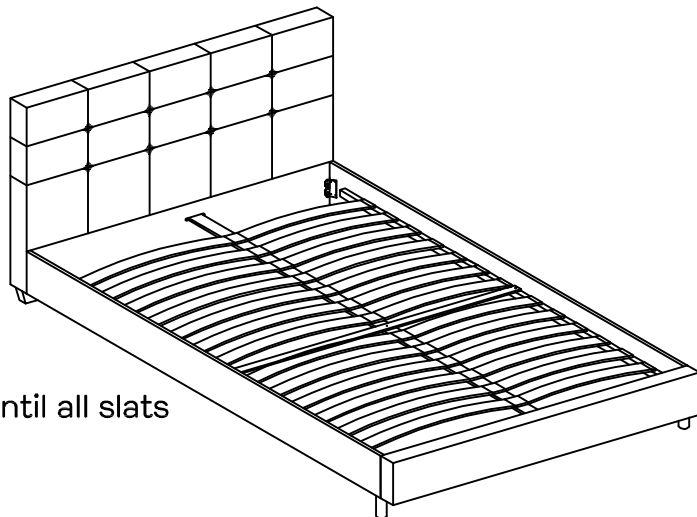
Insert the full slat into the side rail and centre rail one by one.

3



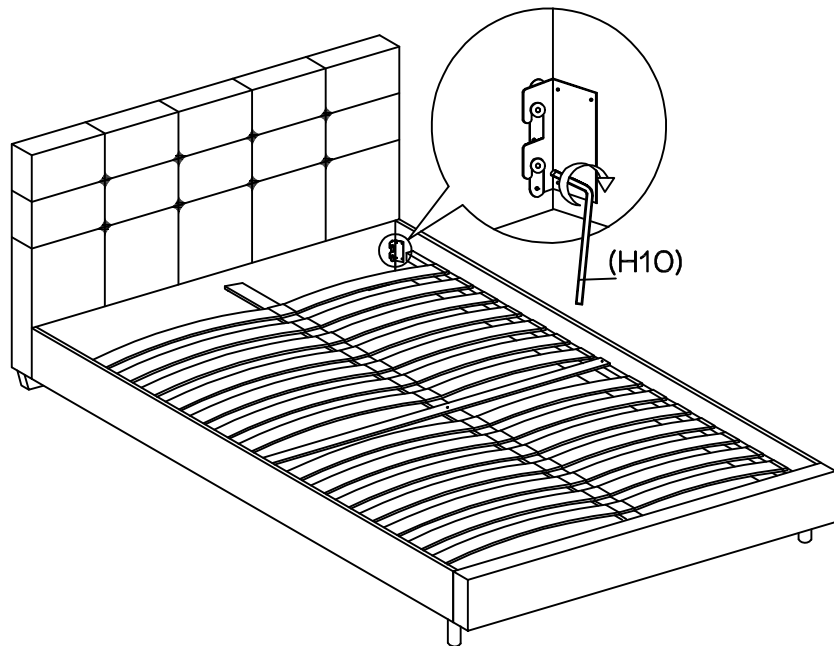
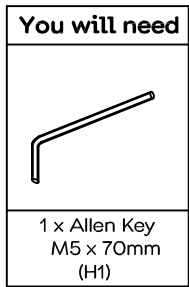
Sometimes it makes easier to line up the hole if you press down in the middle of the slat to flatten it out.

4



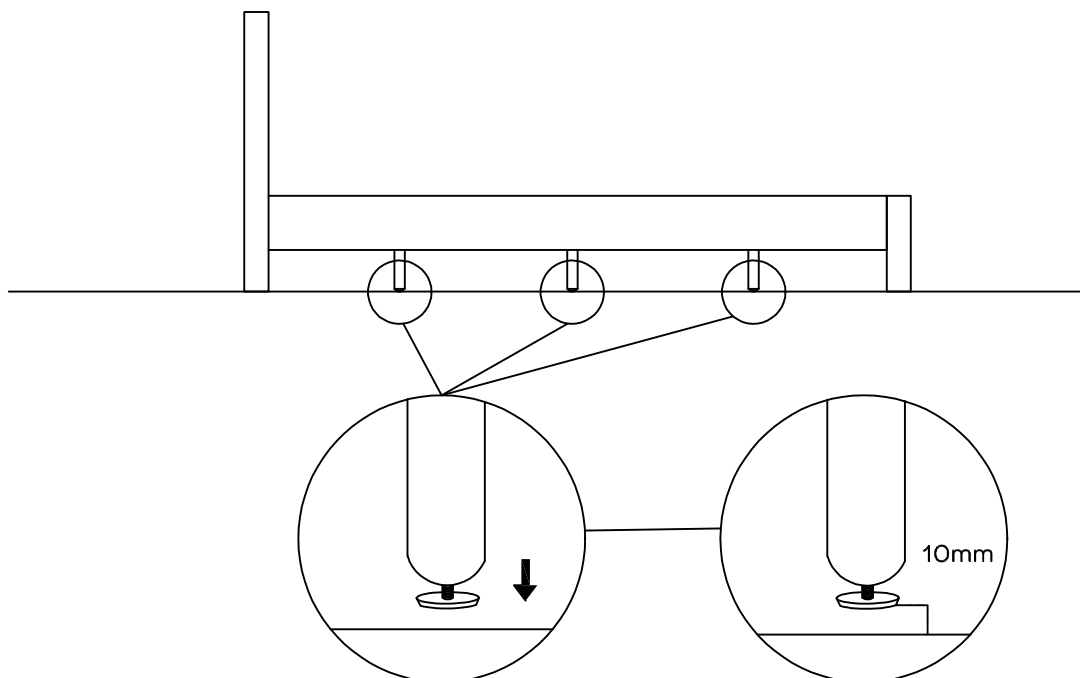
Repeat for every bed slat until all slats are inserted.

Step 11



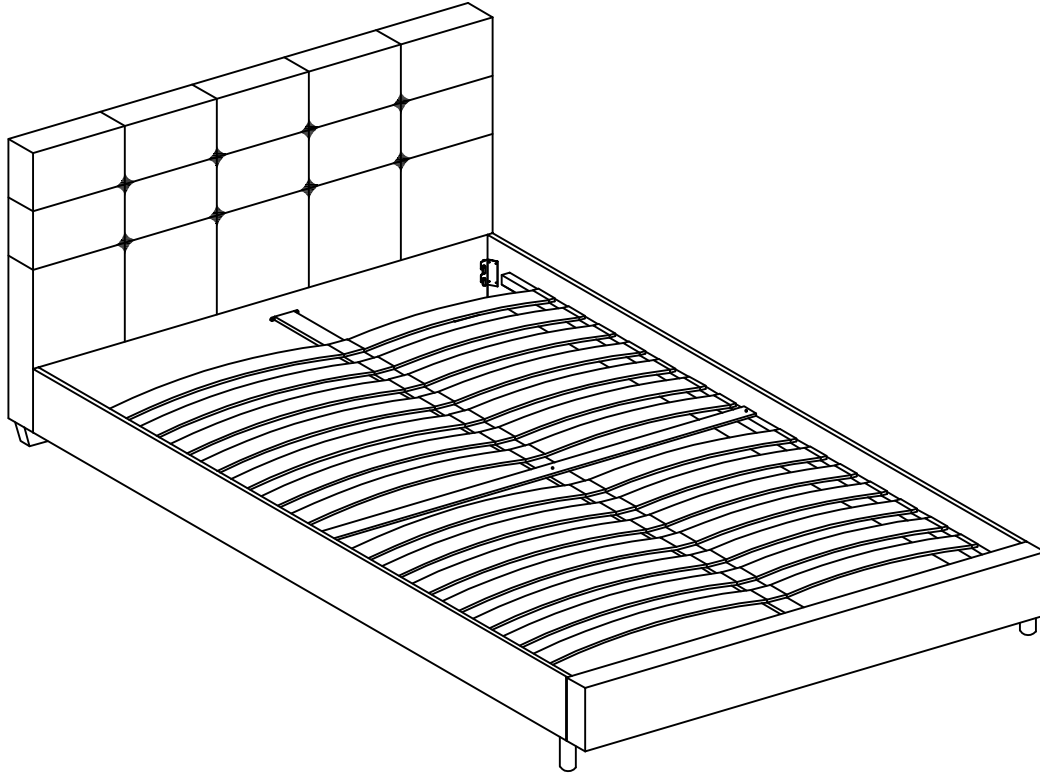
Now tighten all bolts on the corner bracket headboard (P1) and footboard (P2).

Step 12



Using two people to move this bed to its final resting position. Extend adjuster (H9) such that they sit / rest 10 mm above the floor before you place the mattress on the bed.

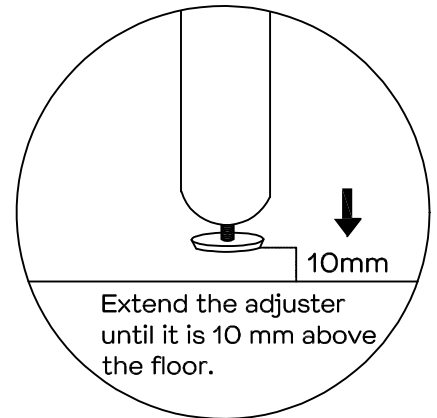
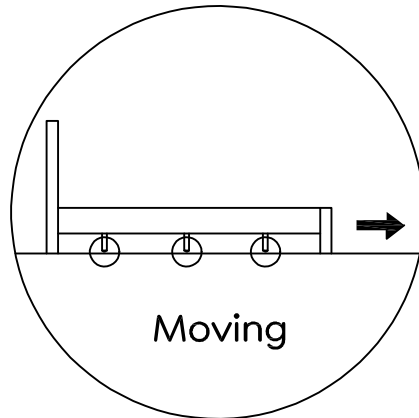
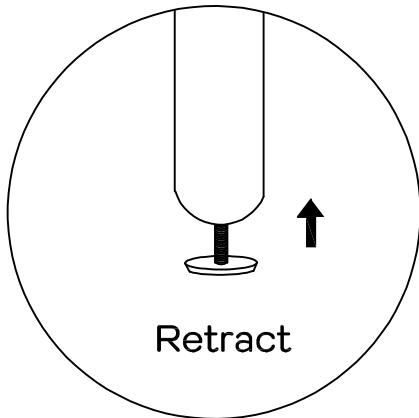
Step 13



Job Complete

In the interest of our environment please dispose of all packaging thoughtfully.

Addendum



Before moving this bed for any reason or purpose please ensure that using two people you :

- A) Fully retract the adjuster (H9).
- B) Lift and move the bed to the new resting position.
- C) Extend the adjuster (H9) such that it rests 10mm above the floor.

Moving of the bed without first retracting the adjuster (H9) and lifting the bed to its new position may damage your bed.