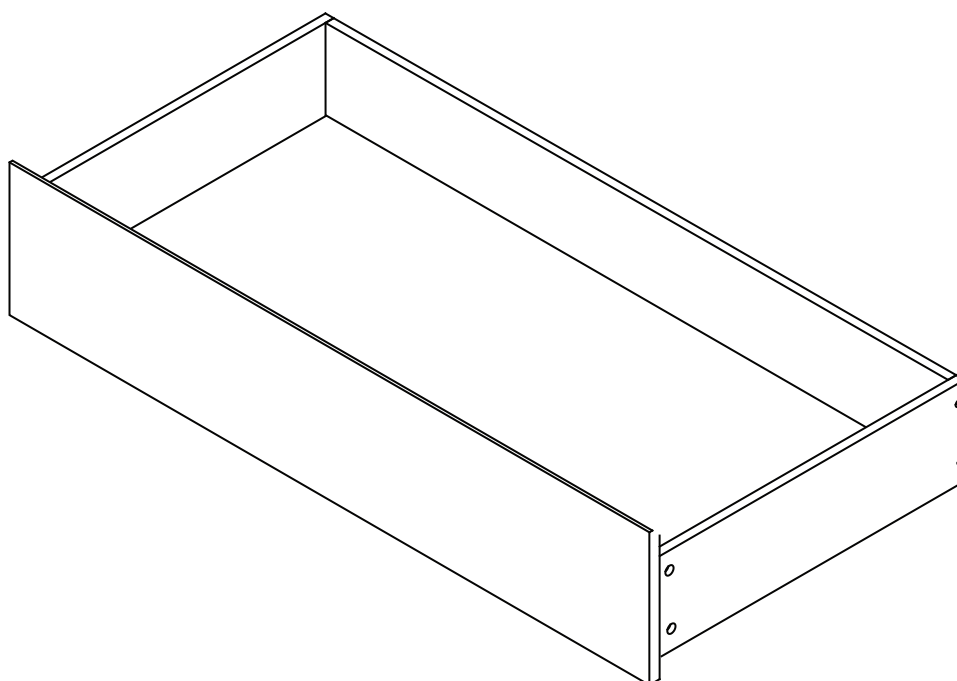




**Fantastic
Furniture**

Version 1.0



Havana

Drawer Pack Double/Queen 4 Pce

fantasticfurniture.com.au

Recommended weight capacity : 18kg.

Looks like you've found your Fantastic!

We're thrilled you've chosen Fantastic Furniture
to help create a home you'll love!



Fantastic Furniture

Love it? Share it!

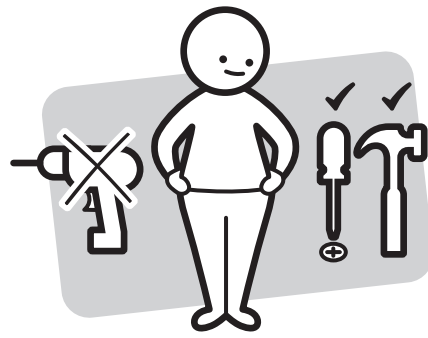
Fantastic buy! Share how it looks at home on Instagram for
your chance to win a \$250 Fantastic Furniture Gift Card!

@fantasticfurniture

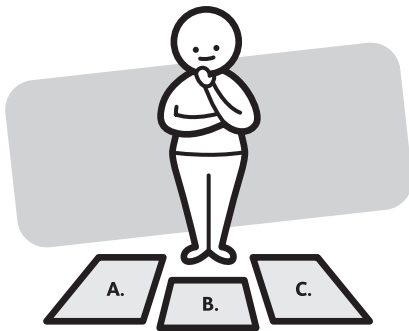
Assembly Checklist



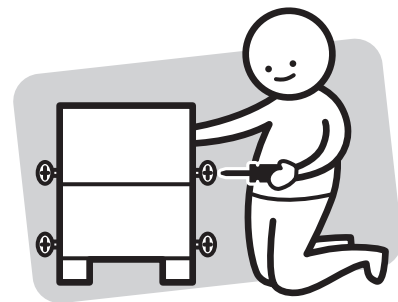
Read through the instructions carefully before you begin.



Make sure you have all the required tools. Never use power tools unless instructed.



Identify and lay out all of the components before you begin assembly.



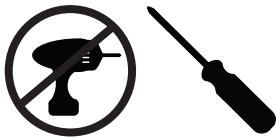
Unless instructed, do not fully tighten screws until the item is fully assembled.

Useful Information

- ! Never use power tools unless specifically instructed. They can damage your components or hardware if used incorrectly.
- ! The most common mistakes made during assembly are using the wrong hardware or getting components back to front.
- ! Always use a soft surface (such as carpet or cardboard) when assembling your product to avoid scratching or damaging the surface of the product.
- ! Bulky items such as wardrobes and bunk beds should be assembled in the room they will be used in as they may not fit through a door once assembled.
- ! Never use any glue until you are certain that the parts belong together.
- ! Periodically check and re-tighten all fasteners. Check the product care label or website for product care instructions.
- ! If you are having any difficulties assembling your product, missing any hardware or components please visit our website Help Centre for further assistance.
- ! Please see page 2 for any safety requirements or weight restrictions.

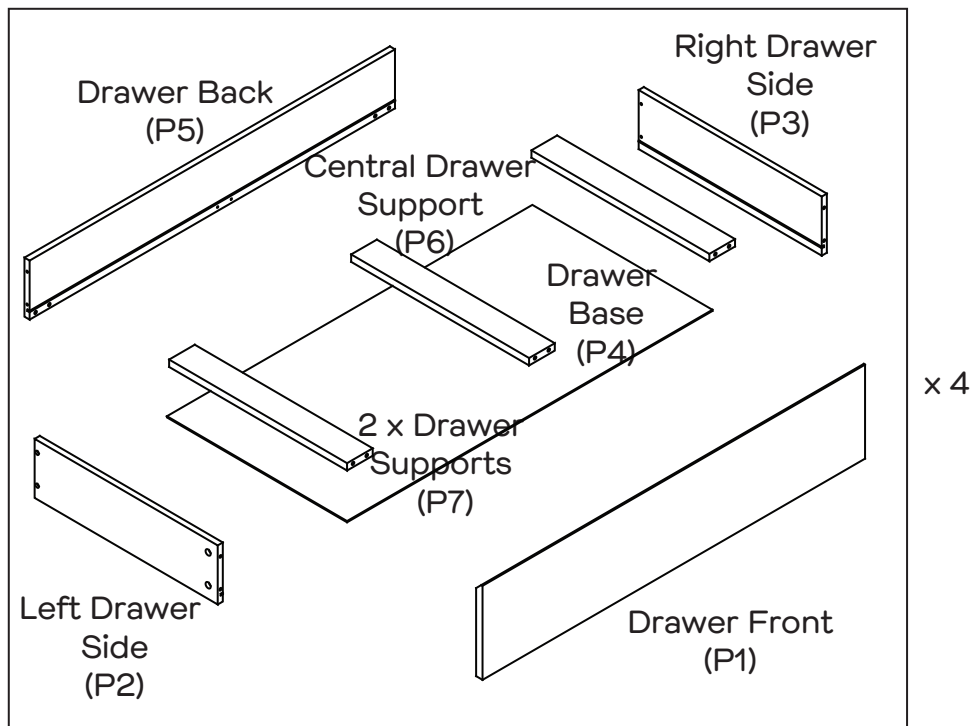
What you need

to assemble the product



DO NOT USE

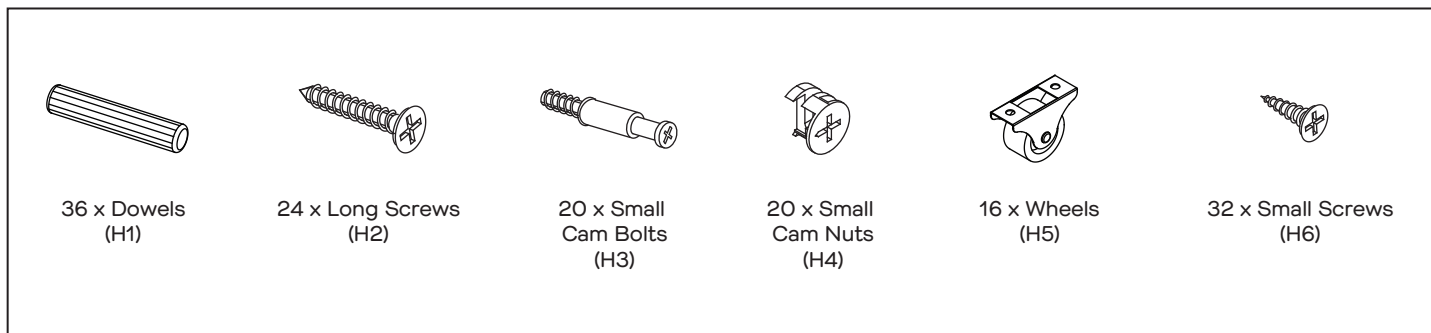
Other tools you need:
Phillips head screwdriver;




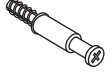

Parts list

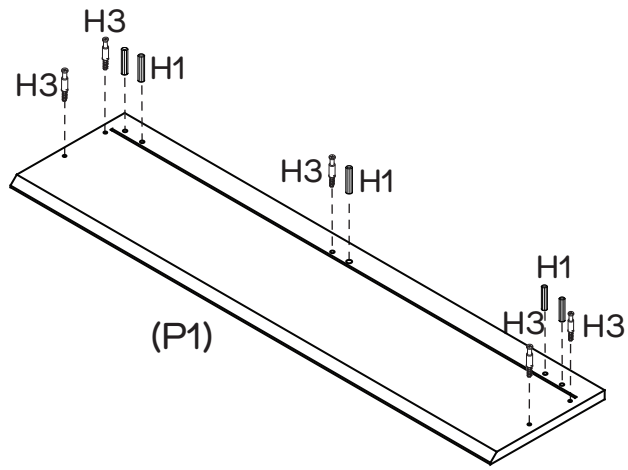
- 4 x Drawer Front (P1);
- 4 x Left Drawer Side (P2);
- 4 x Right Drawer Side (P3);
- 4 x Drawer Base (P4);
- 4 x Drawer Back (P5);
- 4 x Central Drawer Support (P6);
- 8 x Drawer Support (P7);

Hardware pack






Step 1

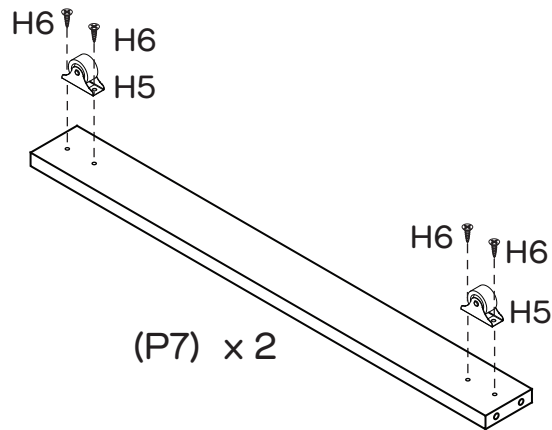
You will need	
	
5 x Dowels (H1)	5 x Small Cam Bolts (H3)
	
Phillips Head Screwdriver	



Insert 5 x Dowels (H1) into Drawer Front (P1).
Attach 5 x Small Cam Bolts (H3) to Drawer Front (P1).

Step 2

You will need	
	
4 x Wheels (H5)	8 x Small Screws (H6)
	
Phillips Head Screwdriver	

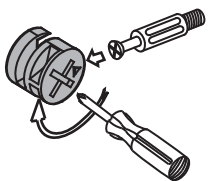


Attach 2 x Wheels (H5) to Drawer Support (P7) with 4 x Small Screws (H6). Repeat Step 2 again with the other Drawer Support (P7).

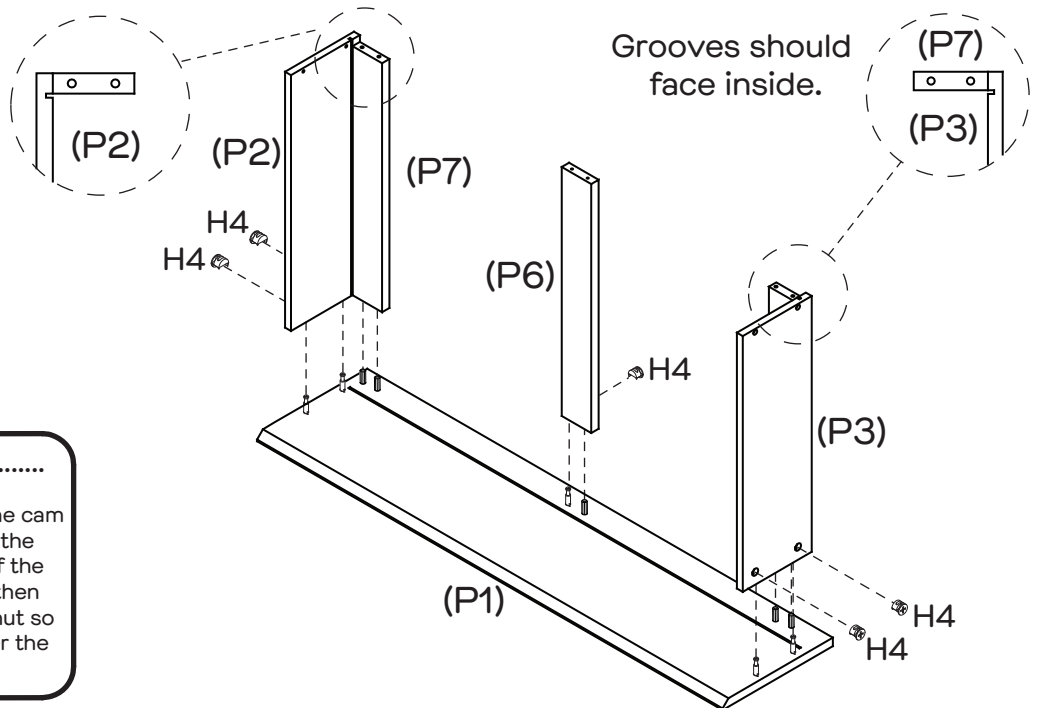
Step 3

You will need	
	
5 x Small Cam Nuts (H4)	Phillips Head Screwdriver

This is how a cam nut works.....




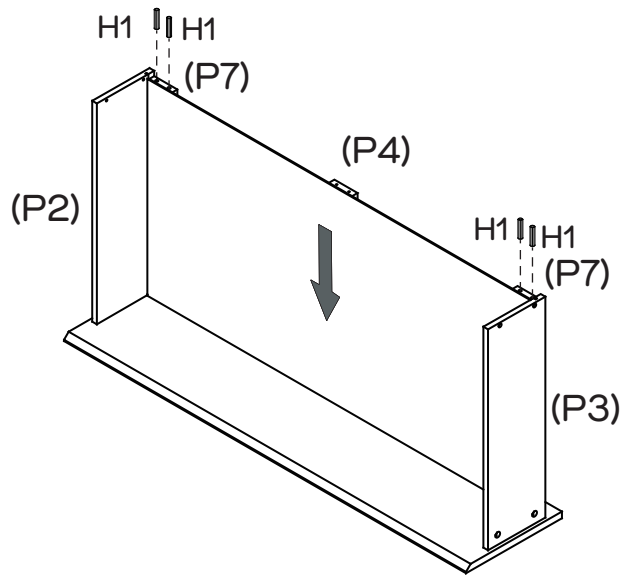
The head of the cam bolt goes into the open mouth of the cam nut. You then turn the cam nut so it tightens over the bolt.



Insert 5 x Small Cam Nuts (H4) into the holes of Drawer Sides (P2, P3) and Central Drawer Support (P6). Rotate the cam nuts so the arrows point towards the incoming cam bolts. Align the holes, and secure Drawer Sides (P2, P3) and Drawer Supports (P6, P7) into place, and then tighten the cam nuts.



Step 4

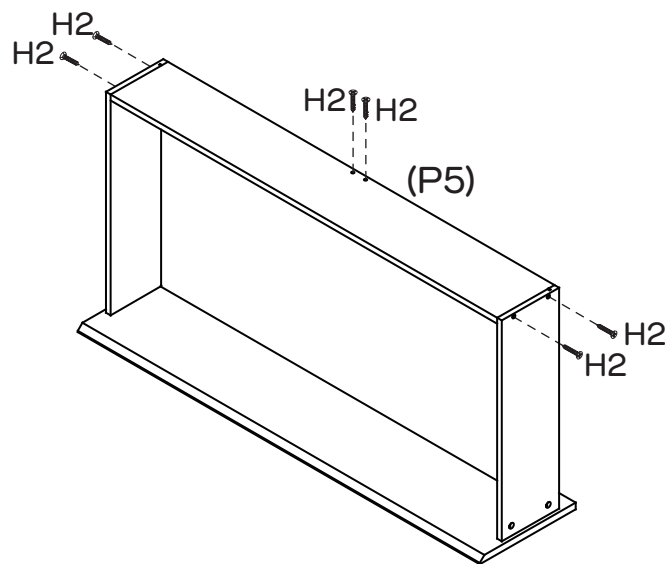
You will need	
	
4 x Dowels (H1)	



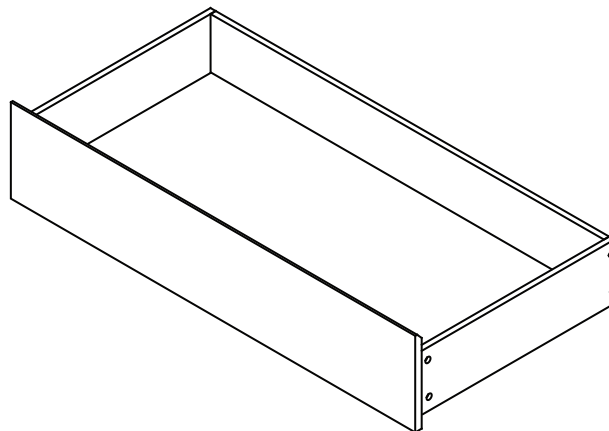
Slide Drawer Base (P4) in through the grooves on Drawer Sides (P2, P3). Insert 4 x Dowels (H1) into Drawer Supports (P7).

Step 5

You will need	
	
6 x Long Screws (H2)	Phillips Head Screwdriver



Attach Drawer Back (P5) to Drawer Sides (P2, P3) and Central Drawer Support (P6) with 6 x Long Screws (H2). Make sure that the grooves line up the whole way around the drawer. Repeat Step 1 to Step 5 to assemble the other 3 drawers.



Job Complete!

In the interest of our environment please dispose of all packaging thoughtfully.