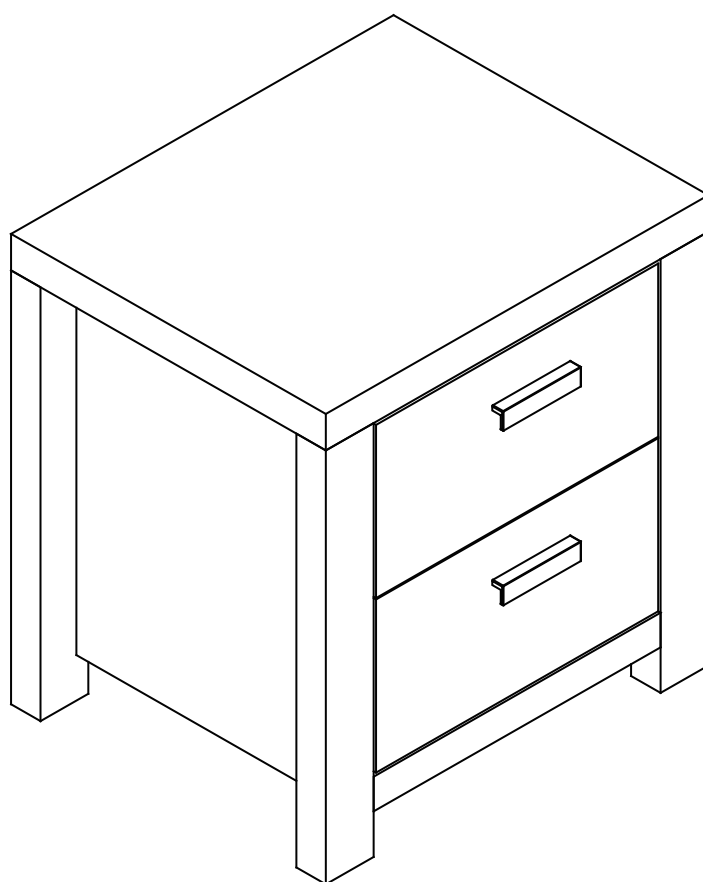




**Fantastic  
Furniture**

Version 1.0



**Havana**  
Bedside 2 Drawer

[fantasticfurniture.com.au](http://fantasticfurniture.com.au)

Recommended weight capacity : 80kgs on top.

# Looks like you've found your Fantastic!

We're thrilled you've chosen Fantastic Furniture  
to help create a home you'll love!



# Fantastic Furniture

## Love it? Share it!

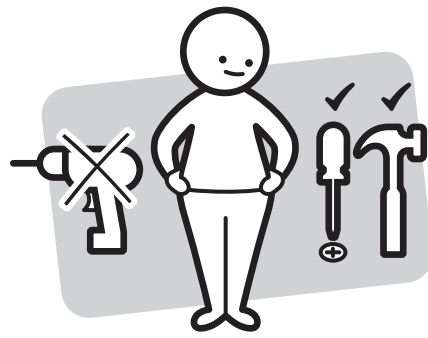
Fantastic buy! Share how it looks at home on Instagram for  
your chance to win a \$250 Fantastic Furniture Gift Card!

**@fantasticfurniture**

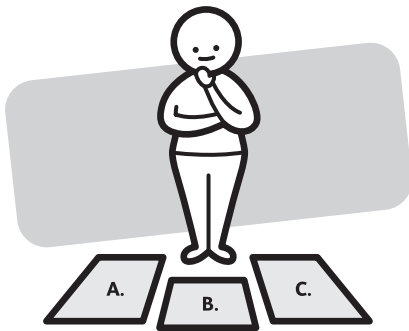
# Assembly Checklist



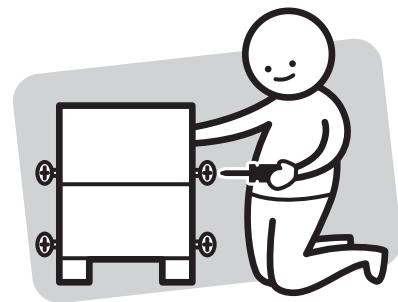
Read through the instructions carefully before you begin.



Make sure you have all the required tools. Never use power tools unless instructed.



Identify and lay out all of the components before you begin assembly.



Unless instructed, do not fully tighten screws until the item is fully assembled.

## Useful Information

- ! Never use power tools unless specifically instructed. They can damage your components or hardware if used incorrectly.
- ! The most common mistakes made during assembly are using the wrong hardware or getting components back to front.
- ! Always use a soft surface (such as carpet or cardboard) when assembling your product to avoid scratching or damaging the surface of the product.
- ! Bulky items such as wardrobes and bunk beds should be assembled in the room they will be used in as they may not fit through a door once assembled.
- ! Never use any glue until you are certain that the parts belong together.
- ! Periodically check and re-tighten all fasteners. Check the product care label or website for product care instructions.
- ! If you are having any difficulties assembling your product, missing any hardware or components please visit our website Help Centre for further assistance.
- ! Please see page 2 for any safety requirements or weight restrictions.

# What you need

## to assemble the product



DO NOT USE



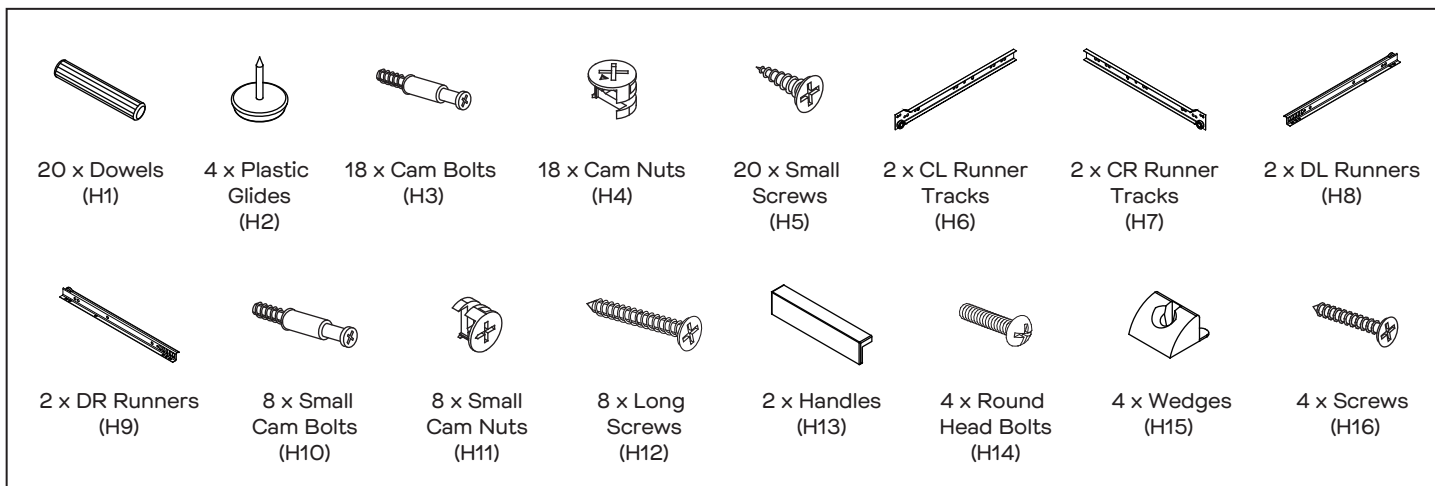
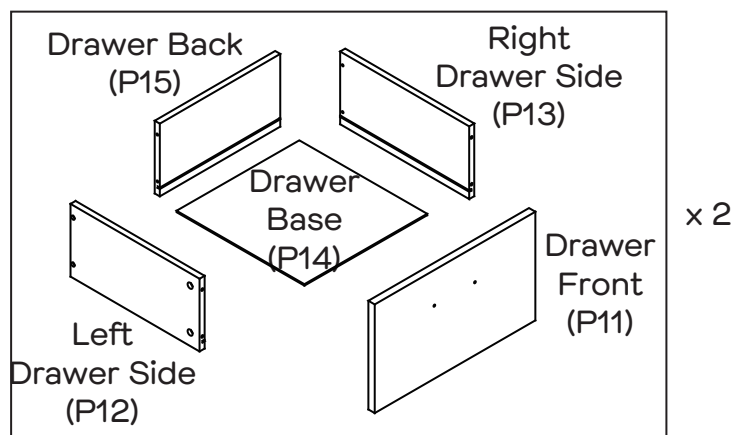
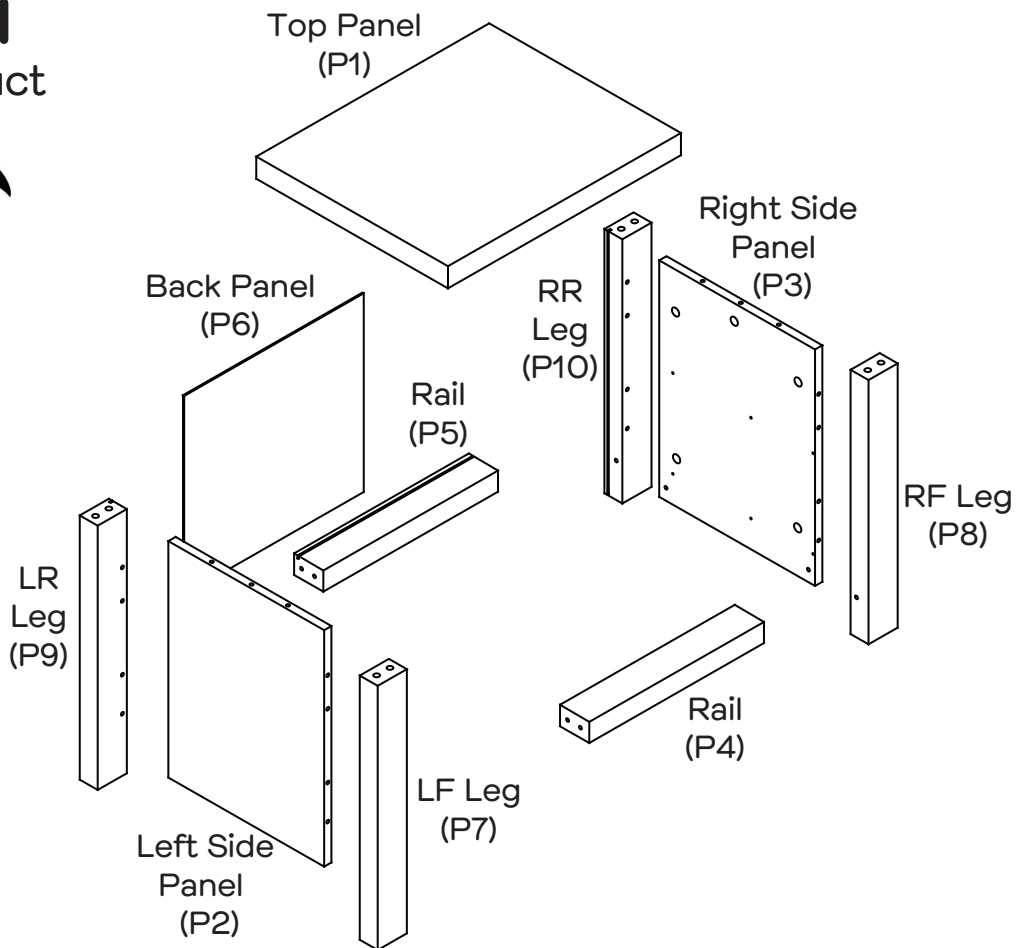
**Other tools you need:**  
Phillips head screwdriver;  
Hammer

### Parts list



Top Panel (P1);  
Left Side Panel (P2);  
Right Side Panel (P3);  
Rail (P4); Rail (P5);  
Back Panel (P6);  
LF Leg (P7); RF Leg (P8);  
LR Leg (P9); RR Leg (P10);  
2 x Drawer Front (P11);  
2 x Left Drawer Side (P12);  
2 x Right Drawer Side (P13);  
2 x Drawer Base (P14);  
2 x Drawer Back (P15);

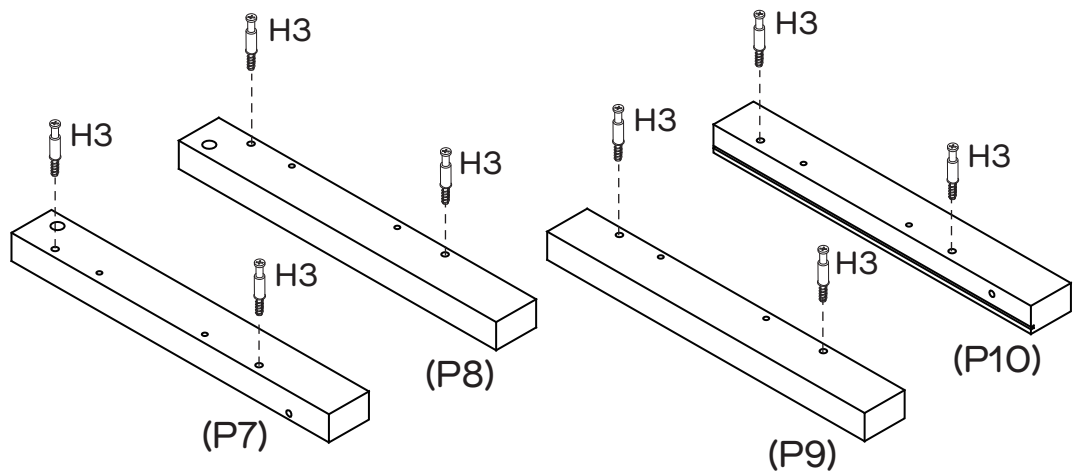
LF: Left Front  
LR: Left Rear  
RF: Right Front  
RR: Right Rear

### Hardware pack



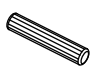


# Step 1

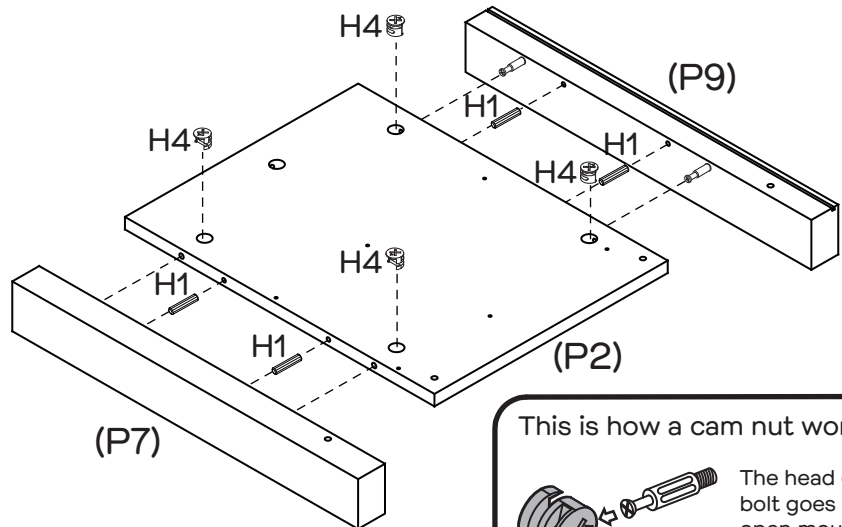
You will need	
	
8 x Cam Bolts (H3)	Phillips Head Screwdriver



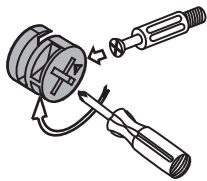
Attach 8 x Cam Bolts (H3) into Legs (P7, P8, P9, P10).

# Step 2

You will need	
	
4 x Dowels (H1)	4 x Cam Nuts (H4)
	
Phillips Head Screwdriver	



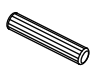


This is how a cam nut works.....

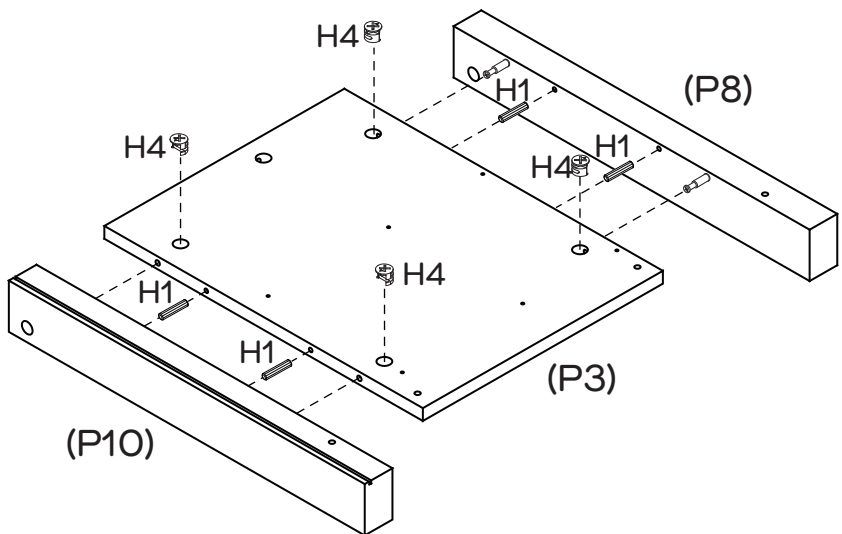


The head of the cam bolt goes into the open mouth of the cam nut. You then turn the cam nut so the arrows point towards the incoming cam bolts.

Insert 4 x Dowels (H1) into the holes of Left Side Panel (P2).  
 Insert 4 x Cam Nuts (H4) into the holes of Left Side Panel (P2).  
 Rotate the cam nuts so the arrows point towards the incoming cam bolts.  
 Attach Legs (P7, P9) to Left Side Panel (P2), then tighten the cam nuts.

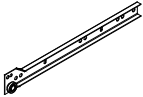


# Step 3

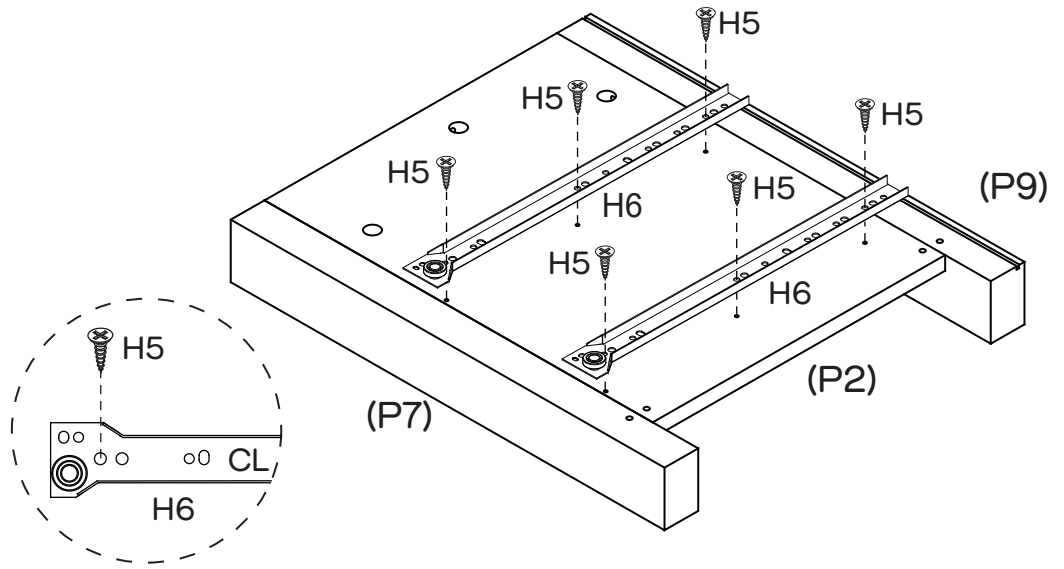
You will need	
	
4 x Dowels (H1)	4 x Cam Nuts (H4)
	
Phillips head screwdriver	



Insert 4 x Dowels (H1) into the holes of Right Side Panel (P3).  
 Insert 4 x Cam Nuts (H4) into the holes of Right Side Panel (P3).  
 Rotate the cam nuts so the arrows point towards the incoming cam bolts.  
 Attach Legs (P8, P10) to Right Side Panel (P3), then tighten the cam nuts.

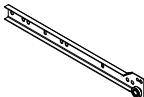


## Step 4

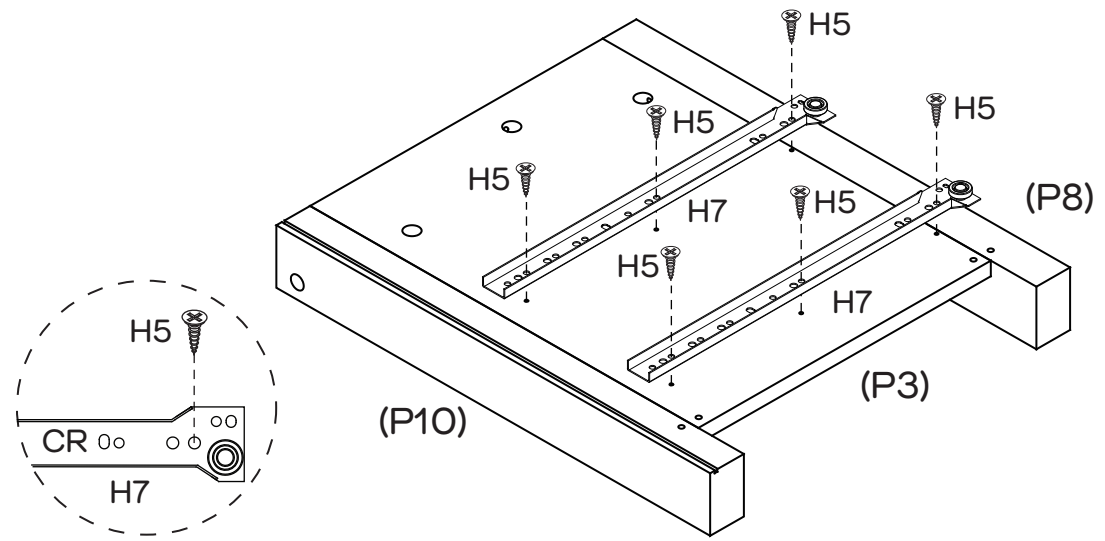
You will need	
	
2 x CL Runner Tracks (H6)	6 x Small Screws (H5)
	
Phillips Head Screwdriver	



Attach 2 x CL Runner Tracks (H6) to Left Side Panel (P2) with 6 x Small Screws (H5).

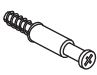

## Step 5

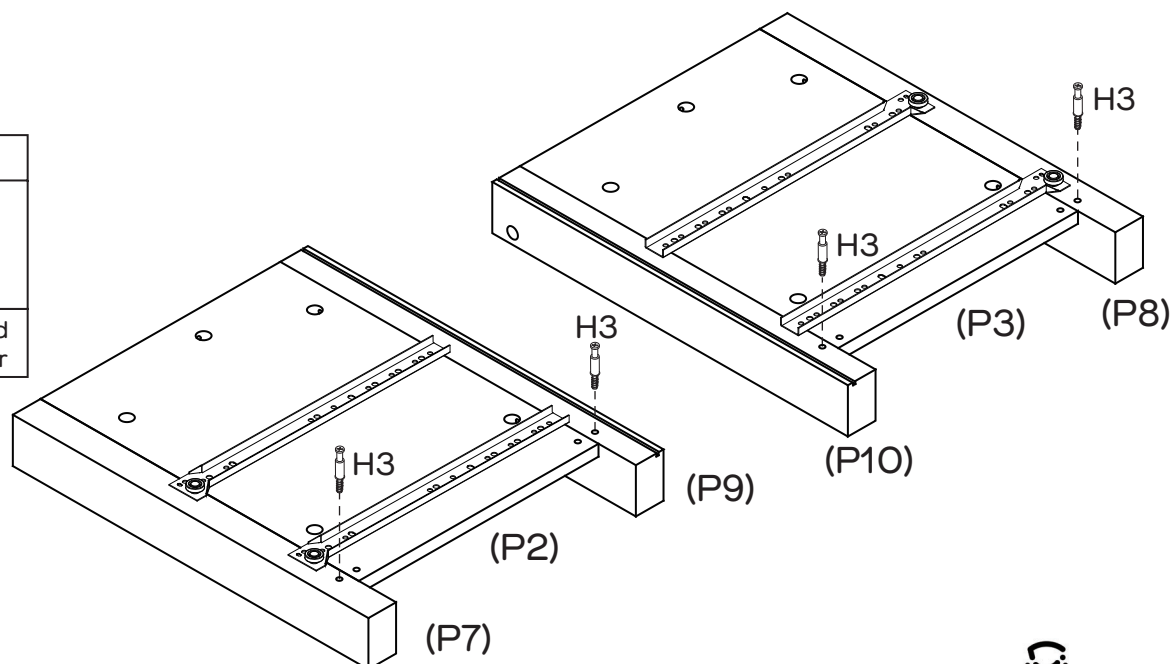
You will need	
	
2 x CR Runner Tracks (H7)	6 x Small Screws (H5)
	
Phillips Head Screwdriver	



Attach 2 x CR Runner Tracks (H7) to Right Side Panel (P3) with 6 x Small Screws (H5).




## Step 6

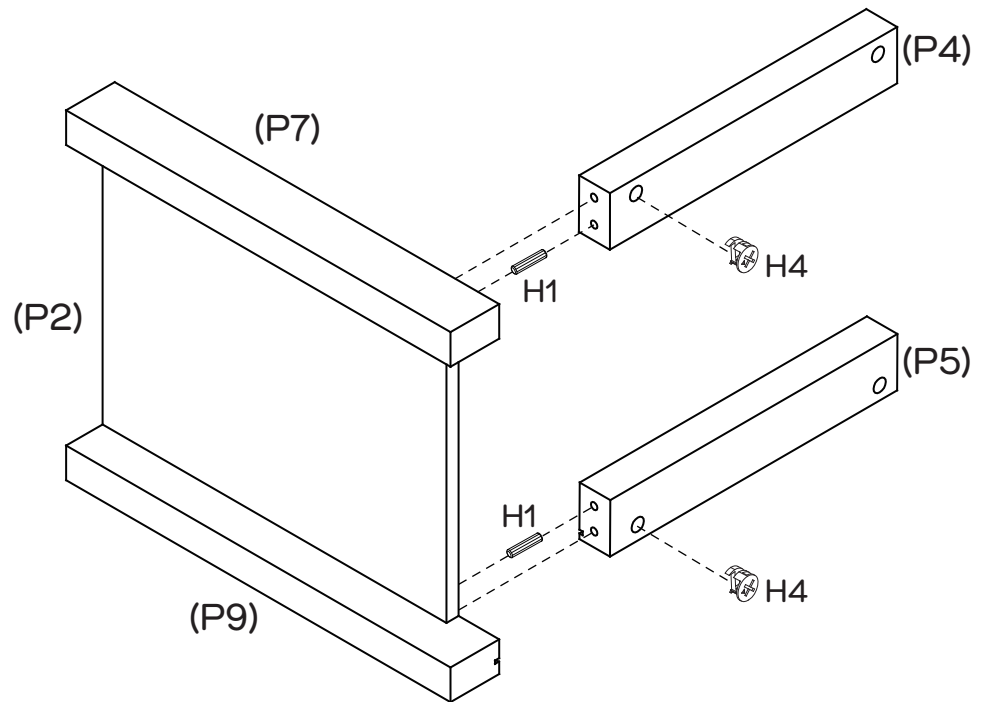
You will need	
	
4 x Cam Bolts (H3)	Phillips Head Screwdriver



Attach 4 x Cam Bolts (H3) into Side Panels (P2, P3) and Legs (P7, P8, P9, P10).

## Step 7

You will need	
	
2 x Dowels (H1)	2 x Cam Nuts (H4)
	
Phillips Head Screwdriver	



Insert 2 x Dowels (H1) into Rails (P4, P5).




Insert 2 x Cam Nuts (H4) into the holes of Rails (P4, P5).

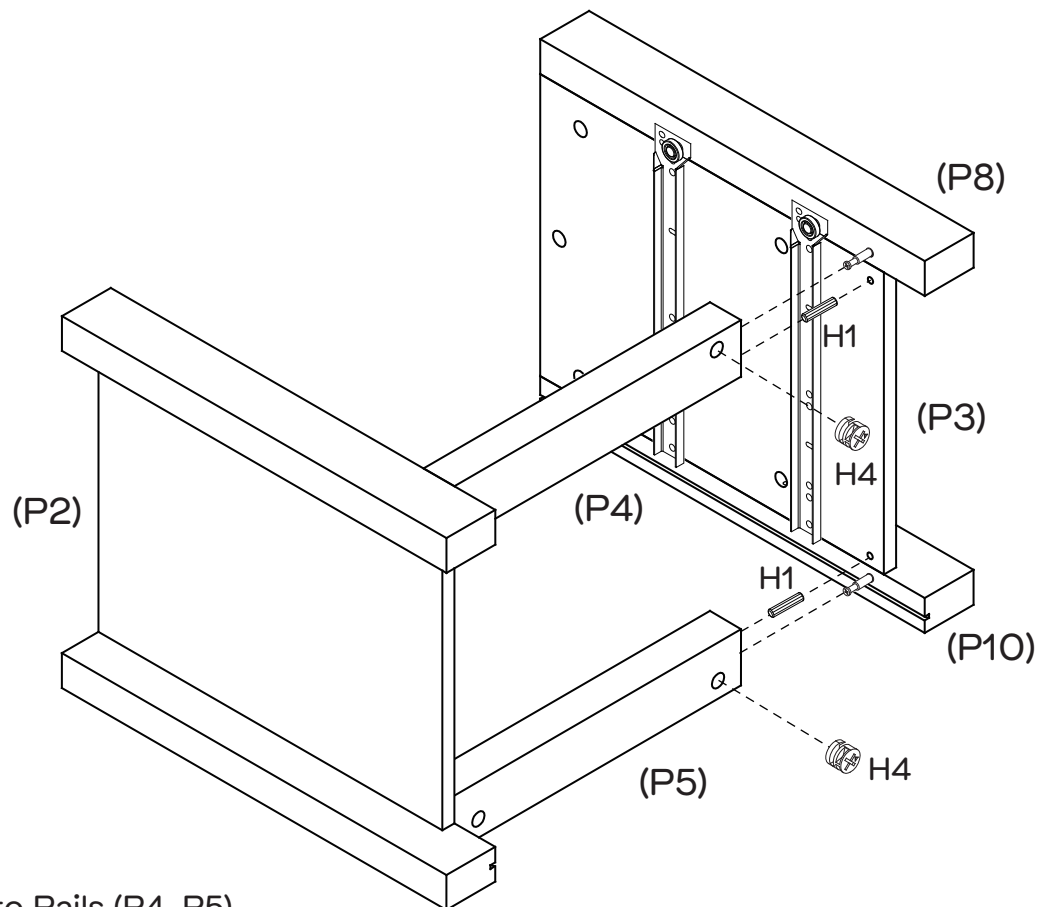
Rotate the cam nuts so the arrows point towards the incoming cam bolts.

Align the holes and attach Legs (P7, P9) to Left Side Panel (P2).

Tighten the cam nuts.

## Step 8

You will need	
	
2 x Dowels (H1)	2 x Cam Nuts (H4)
	
Phillips Head Screwdriver	



Insert 2 x Dowels (H1) into Rails (P4, P5).



Insert 2 x Cam Nuts (H4) into the holes of Rails (P4, P5).

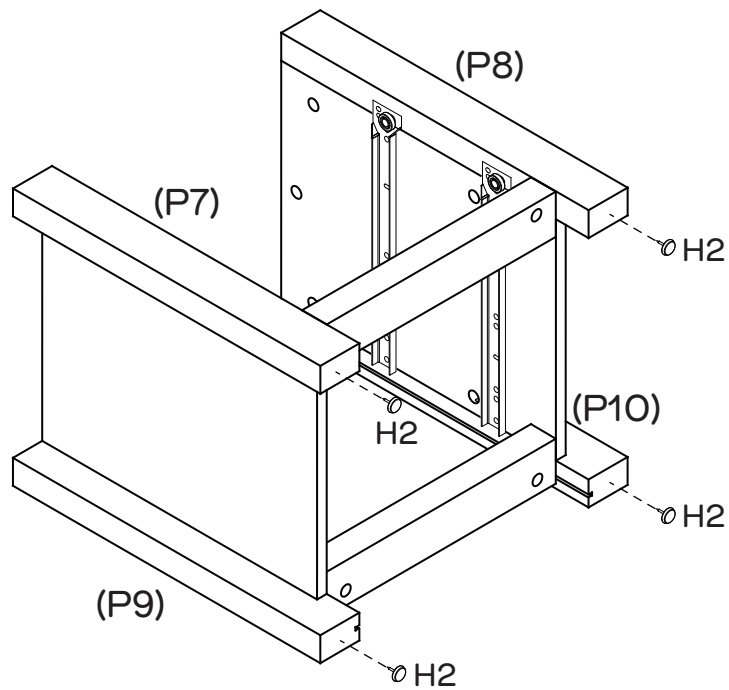
Rotate the cam nuts so the arrows point towards the incoming cam bolts.

Align the holes and attach Legs (P8, P10) to Right Side Panel (P3).

Tighten the cam nuts.

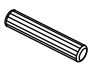
## Step 9

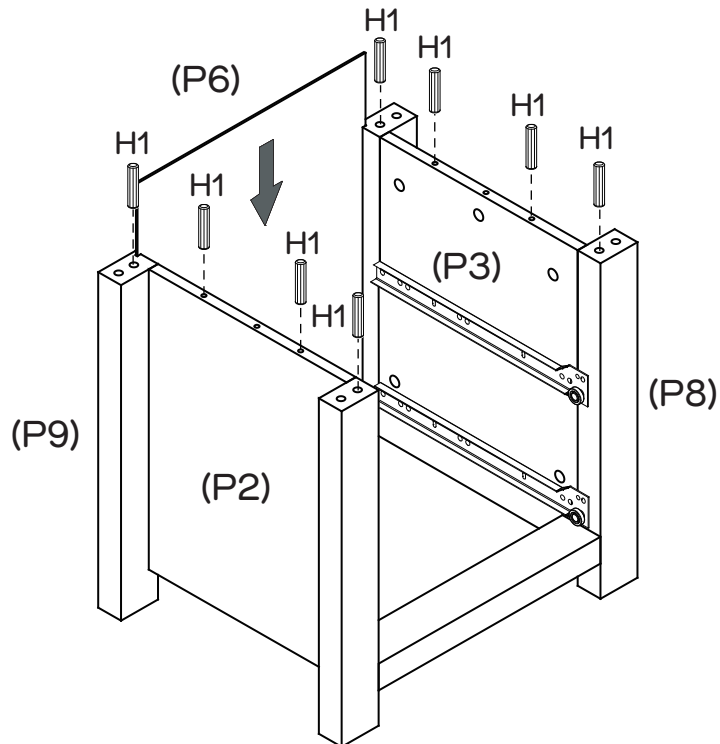
You will need	
	
4 x Plastic Glides (H2)	Hammer



Attach 4 x Plastic Glides (H2) to the bottom of Legs (P7, P8, P9, P10) with a Hammer.



## Step 10

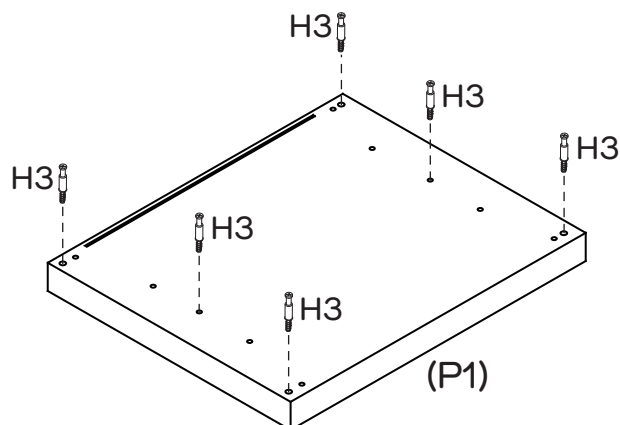
You will need	
	
8 x Dowels (H1)	



Slide Back Panel (P6) into the groove in Legs (P9, P10) and Rail (P5).  
Insert 8 x Dowels (H1) into Side Panels (P2, P3) and Legs (P7, P8, P9, P10).

## Step 11

You will need	
	
6 x Cam Bolts (H3)	Phillips Head Screwdriver

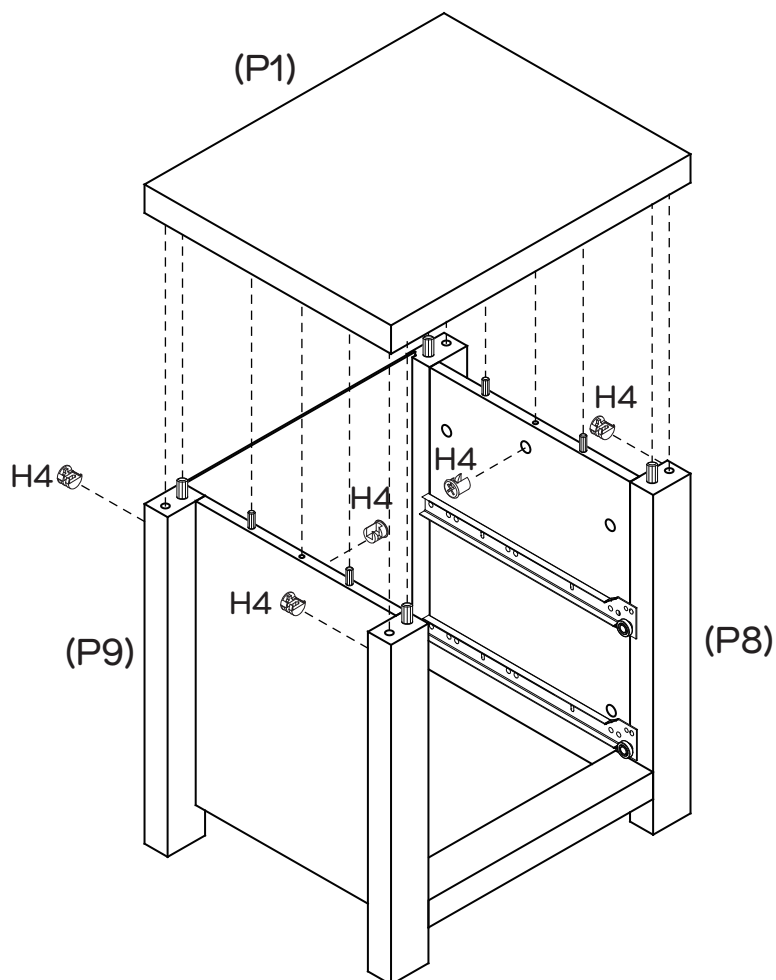


Attach 6 x Cam Bolts (H3) into Top Panel (P1) as shown.



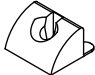


## Step 12

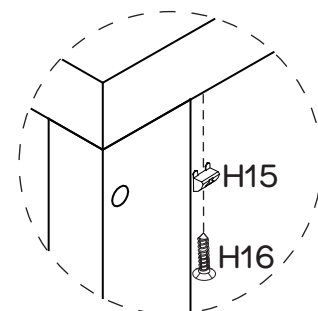
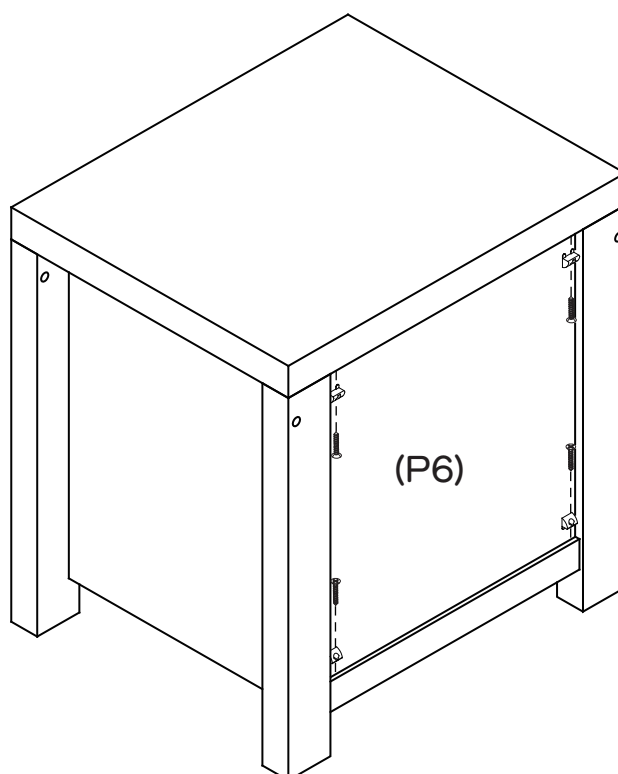
You will need	
	
6 x Cam Nuts (H4)	Phillips Head Screwdriver



Insert 6 x Cam Nuts (H4) into the holes of Side Panels (P2, P3) and Legs (P7, P8, P9, P10). Rotate the cam nuts so the arrows point towards the incoming cam bolts. Attach Top Panel (P1) to the frame and tighten the cam nuts using a Phillips head screwdriver.

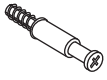

## Step 13

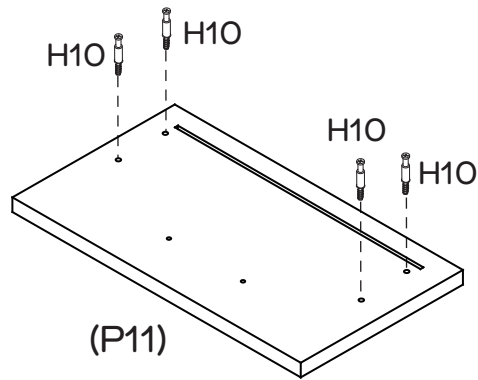
You will need	
	
4 x Wedges (H15)	4 x Screws (H16)
	
Phillips Head Screwdriver	



Secure Back Panel (P6) in place with 4 x Wedges (H15) using 4 x Screws (H16).



## Step 14

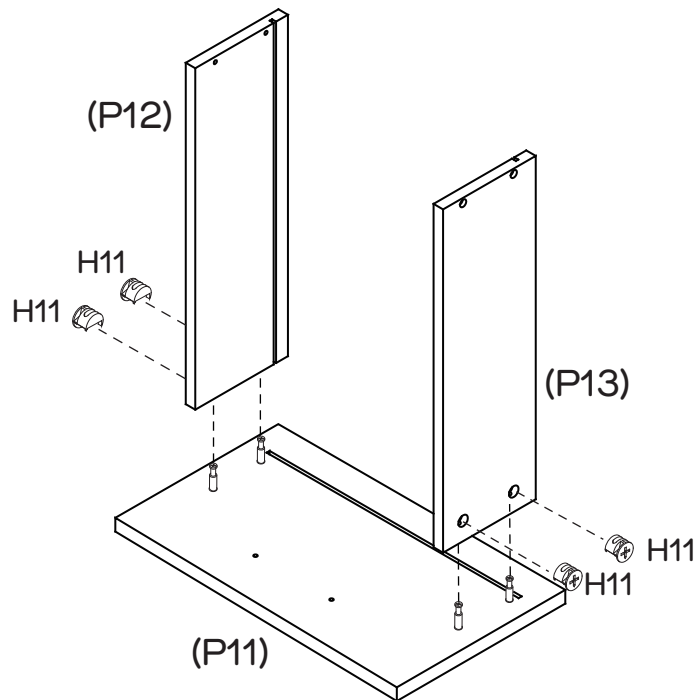
You will need	
	
4 x Small Cam Bolts (H10)	Phillips Head Screwdriver



Screw 4 x Small Cam Bolts (H10) into Drawer Front (P11) with a Phillips head screwdriver.

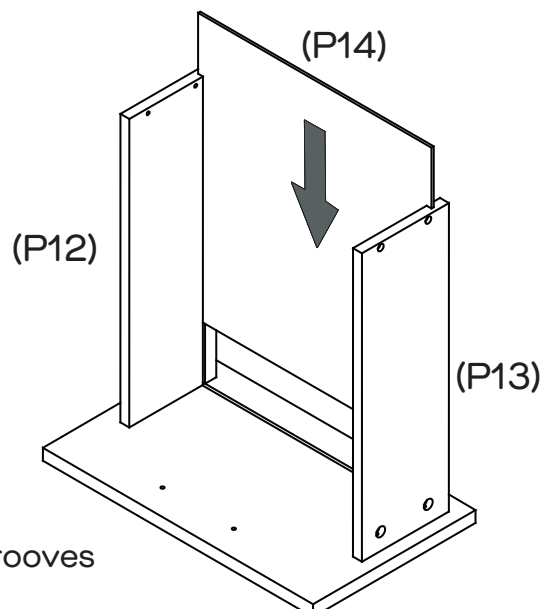
## Step 15

You will need	
	
4 x Small Cam Nuts (H11)	Phillips Head Screwdriver





Insert 4 x Small Cam Nuts (H11) into the holes of Drawer Sides (P12, P13). Rotate the cam nuts so the arrows point towards the incoming cam bolts. Align the holes together, secure Drawer Sides (P12, P13) into place and tighten the cam nuts using a Phillips head screwdriver.

## Step 16

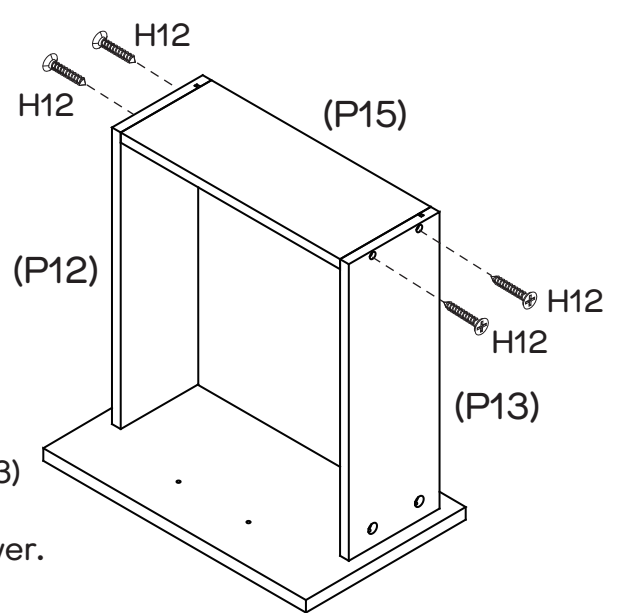


Slide Drawer Base (P14) in through the grooves on Drawer Sides (P12, P13).

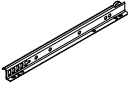
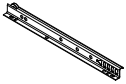


## Step 17

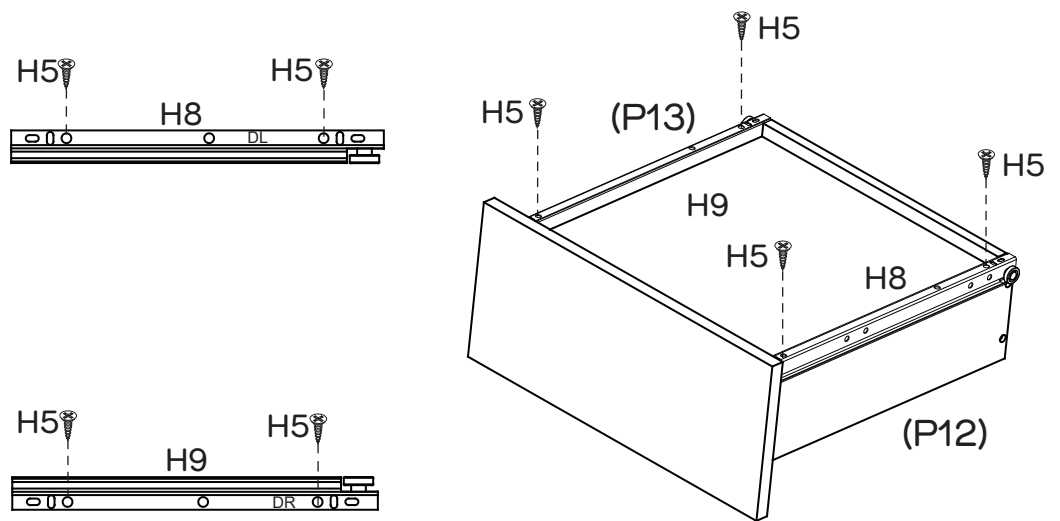
You will need	
	
4 x Long Screws(H12)	Phillips Head Screwdriver

Attach Drawer Back (P15) to Drawer Sides (P12, P13) with 4 x Long Screws (H12), make sure that the groove lines up the whole way around the drawer. Tighten Screws using a Phillips head screwdriver.




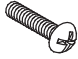

## Step 18

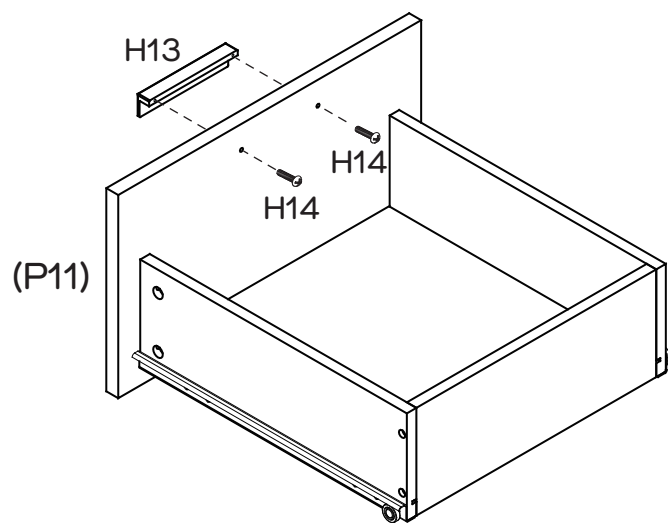
You will need	
	
1 x DL Runner (H8)	1 x DR Runner (H9)
	
4 x Small Screws (H5)	Phillips Head Screwdriver



Attach 1 x DL Runner (H8) to the bottom of Left Drawer Side (P12) and 1 x DR Runner (H9) to the bottom of Right Drawer Side (P13) with 4 x Small Screws (H5). Tighten Screws using a Phillips head screwdriver.

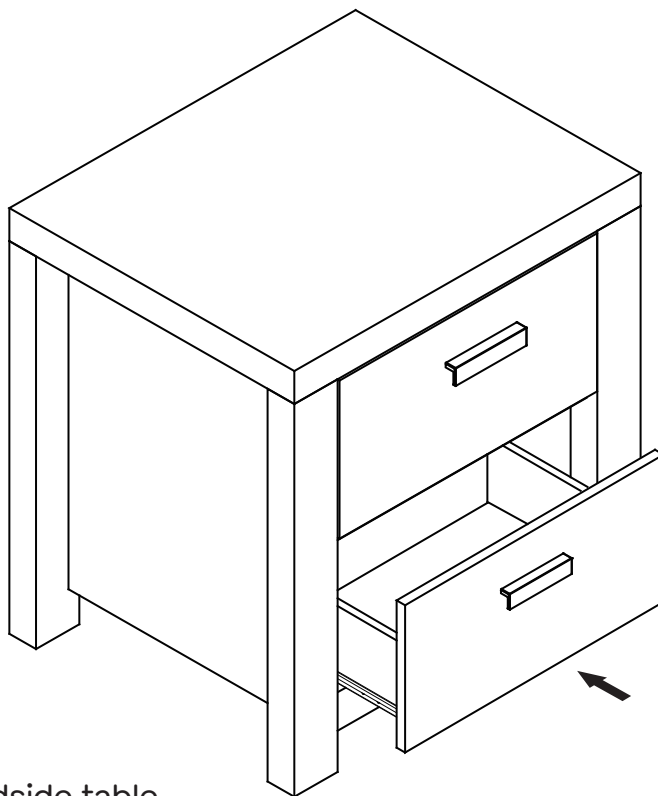
## Step 19

You will need	
	
1 x Handle (H13)	2 x Round Head Bolts (H14)
	
Phillips Head Screwdriver	



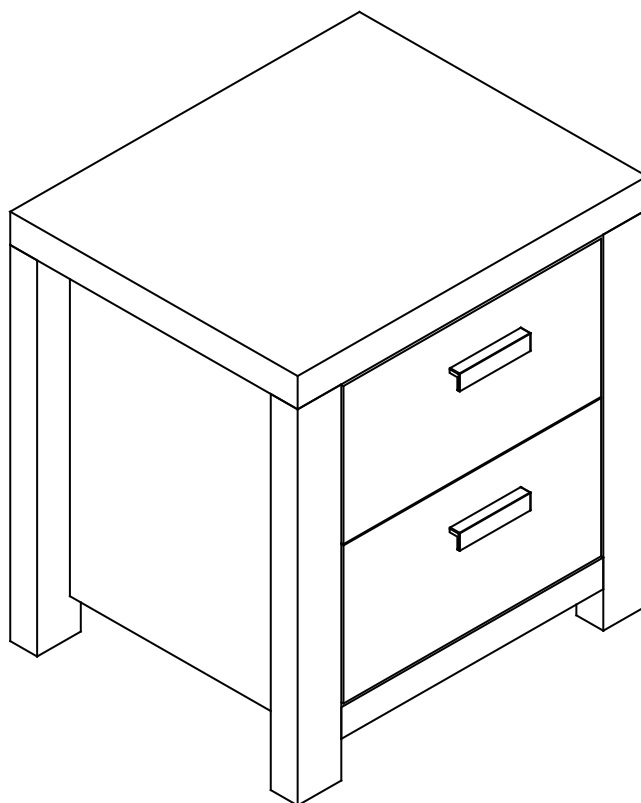
Attach 1 x Handle (H13) to Drawer Front (P11) with 2 x Round Head Bolts (H14). Tighten round head bolts using a Phillips head screwdriver. Repeat Step 14 to Step 19 to assemble the other drawer.

## Step 20



Slide the drawers into the bedside table.

## Step 21



# Job Complete!

In the interest of our environment please dispose of all packaging thoughtfully.