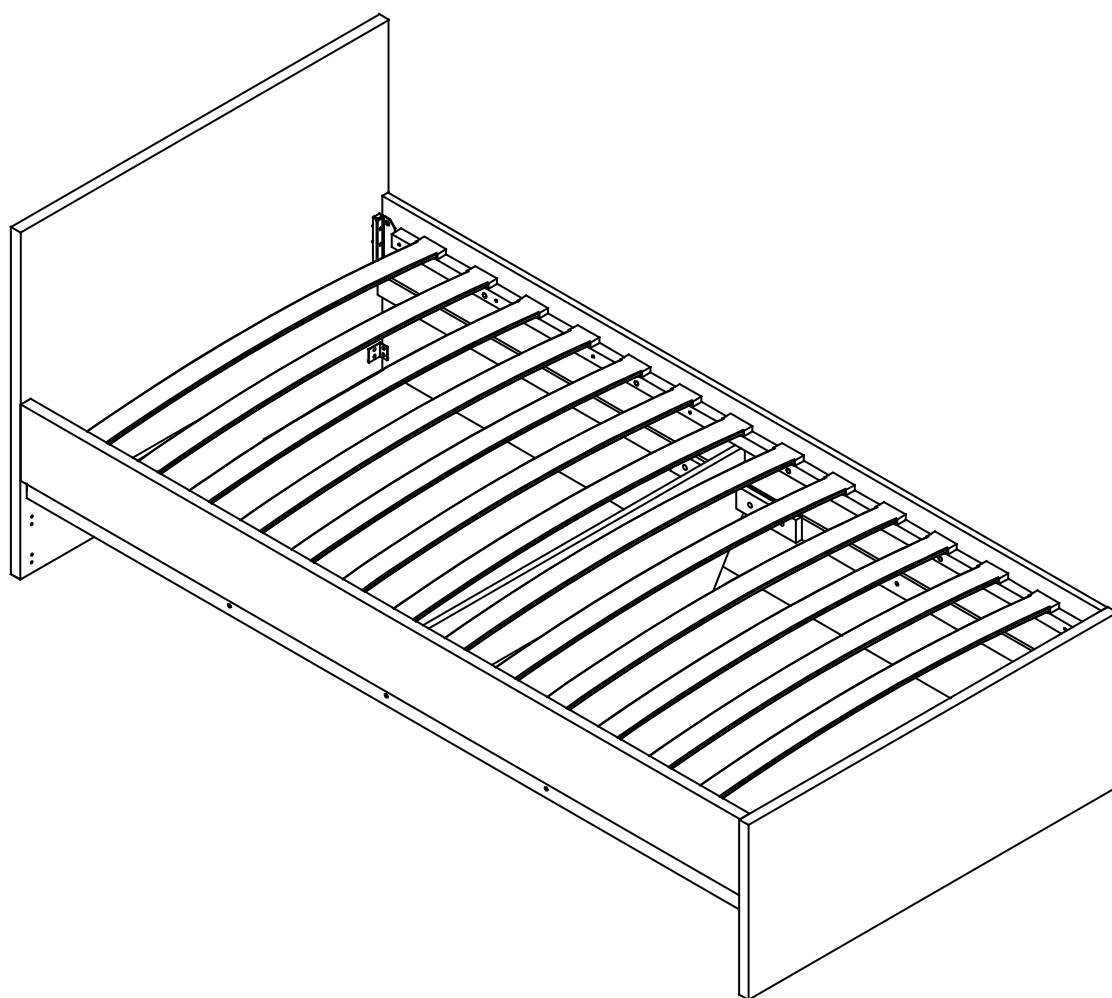




**Fantastic  
Furniture**

Version 1.0



**Two People**



**Required**

**Como**  
Bed Single MK2 (Frame Only)

[fantasticfurniture.com.au](http://fantasticfurniture.com.au)

# Looks like you've found your Fantastic!

We're thrilled you've chosen Fantastic Furniture  
to help create a home you'll love!



# Fantastic Furniture

## Love it? Share it!

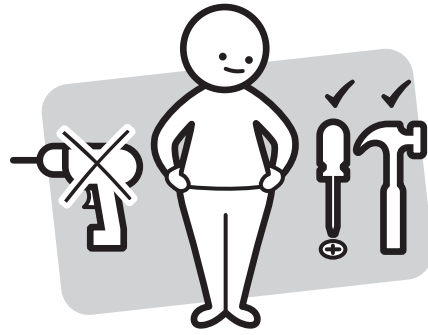
Fantastic buy! Share how it looks at home on Instagram for  
your chance to win a \$250 Fantastic Furniture Gift Card!

**@fantasticfurniture**

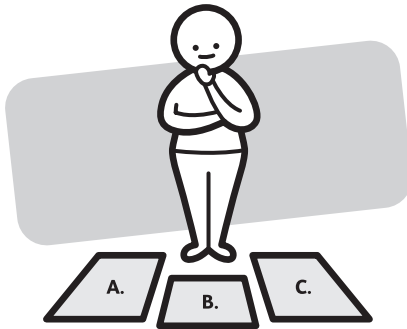
# Assembly Checklist



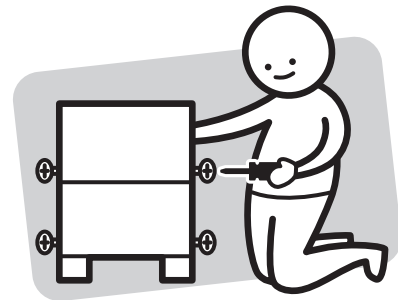
Read through the instructions carefully before you begin.



Make sure you have all the required tools. Never use power tools unless instructed.



Identify and lay out all of the components before you begin assembly.



Unless instructed, do not fully tighten screws until the item is fully assembled.

## Useful Information

- ! Never use power tools unless specifically instructed. They can damage your components or hardware if used incorrectly.
- ! The most common mistakes made during assembly are using the wrong hardware or getting components back to front.
- ! Always use a soft surface (such as carpet or cardboard) when assembling your product to avoid scratching or damaging the surface of the product.
- ! Bulky items such as wardrobes and bunk beds should be assembled in the room they will be used as they may not fit through a door once assembled.
- ! Never use any glue until you are certain that the parts belong together.
- ! Periodically check and re-tighten all fasteners. Check the product care label or website for product care instructions.
- ! If you are having any difficulties assembling your product, missing any hardware or components please visit our website Help Centre for further assistance.
- ! Please see page 2 for any safety requirements or weight restrictions.

# What you need

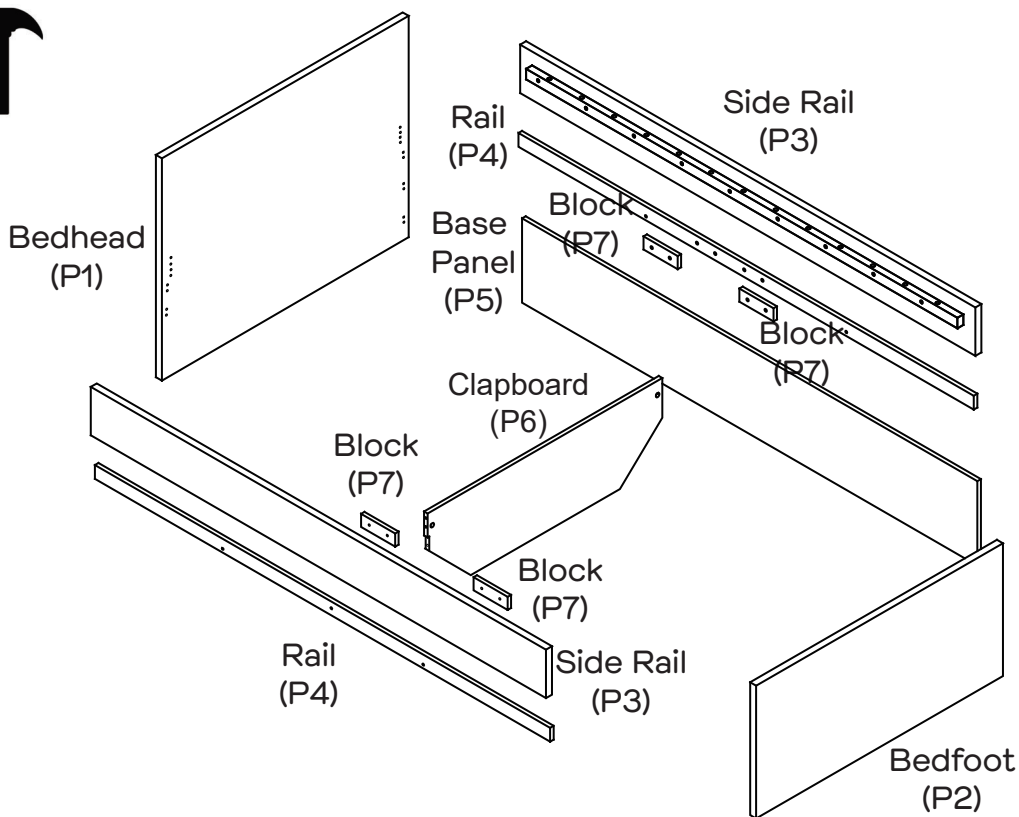
## to assemble the product



DO NOT USE



**Other tools you need:**  
Phillips head screwdriver;  
Hammer



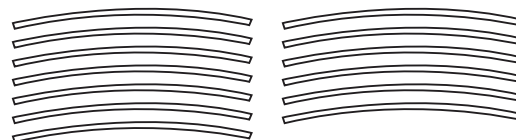
### Parts list

Bedhead (P1);  
Bedfoot (P2);  
Clapboard (P6);  
2 x Side Rails (P3);  
2 x Rails (P4);  
Base Panel (P5);  
4 x Blocks (P7)

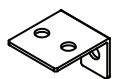
26 x End Connectors



13 x Fantastic Furniture  
ComfortSlats™ Single



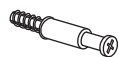
### Hardware pack



4 x Elbow  
Brackets  
(H1)



10 x Dowels  
(H2)



2 x Cam  
Bolts  
(H3)



2 x Cam  
Nuts  
(H4)



26 x Blue Screws  
(Ø4 x 25mm)  
(H5)



16 x Screws  
(Ø4 x 30mm)  
(H6)



3 x Stickers  
(H7)



12 x Bolts  
(H8)



4 x Elbow  
Connectors  
(H9)



4 x Flat  
Connectors  
(H10)



11 x Plastic  
Glides  
(H11)



16 x Small  
Screws  
(H12)


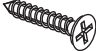




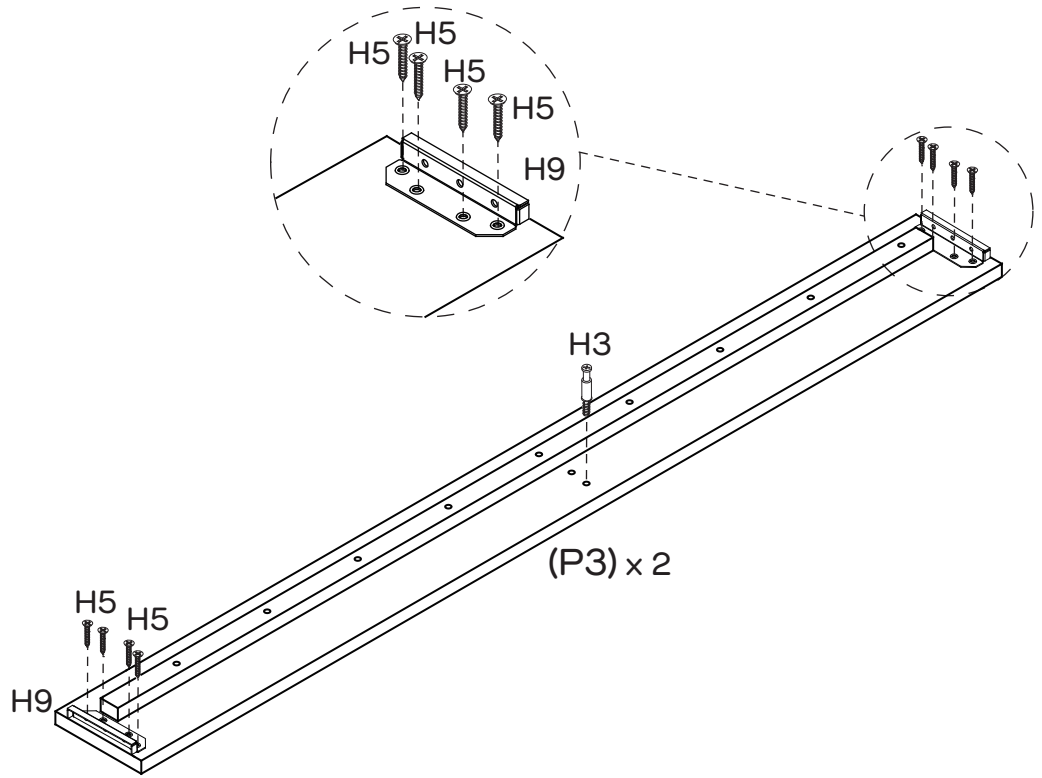
2 x Long Screws  
(Ø4 x 35mm)  
(H13)



1 x Allen Key  
(H14)

# Step 1

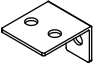
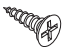



You will need	
	
2 x Cam Bolts (H3)	16 x Blue Screws (H5)
	
4 x Elbow Connectors (H9)	Phillips head screwdriver

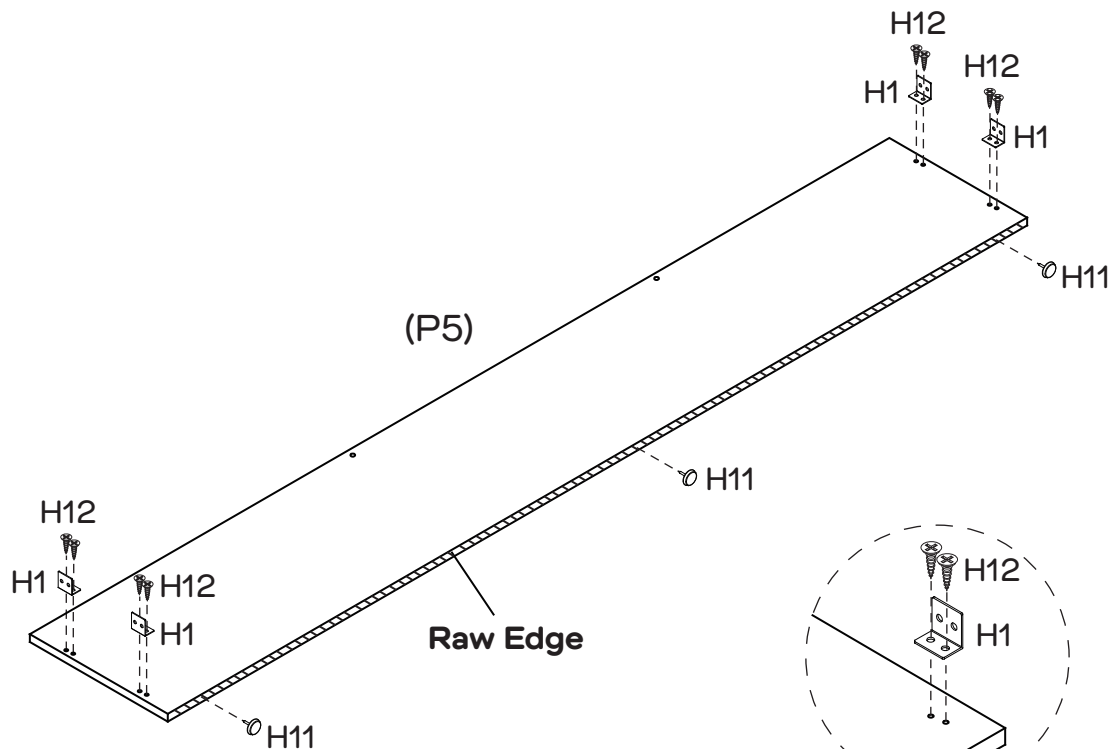


Attach 1 x Cam Bolt (H3) to each Side Rail (P3).

Attach 2 x Elbow Connectors (H9) to each Side Rail (P3) with 8 x Blue Screws (H5).






# Step 2

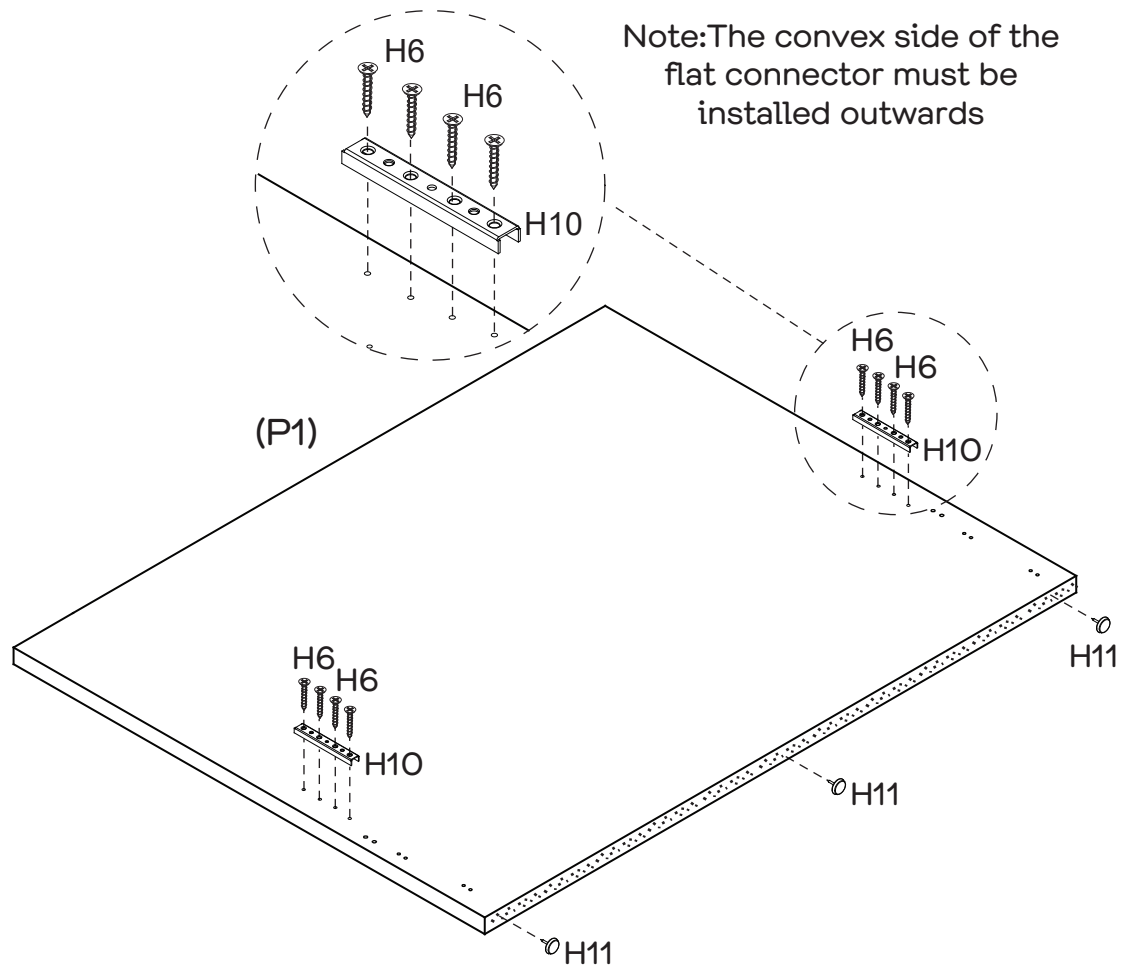
You will need	
	
4 x Elbow Brackets (H1)	8 x Small Screws (H12)
	
3 x Plastic Glides (H11)	Hammer
	
Phillips head screwdriver	



Attach 4 x Elbow Brackets (H1) to Base Panel (P5) with 8 x Small Screws (H12).  
Then hammer 3 x Plastic Glides (H11) on the bottom of Base Panel (P5).


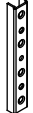



## Step 3

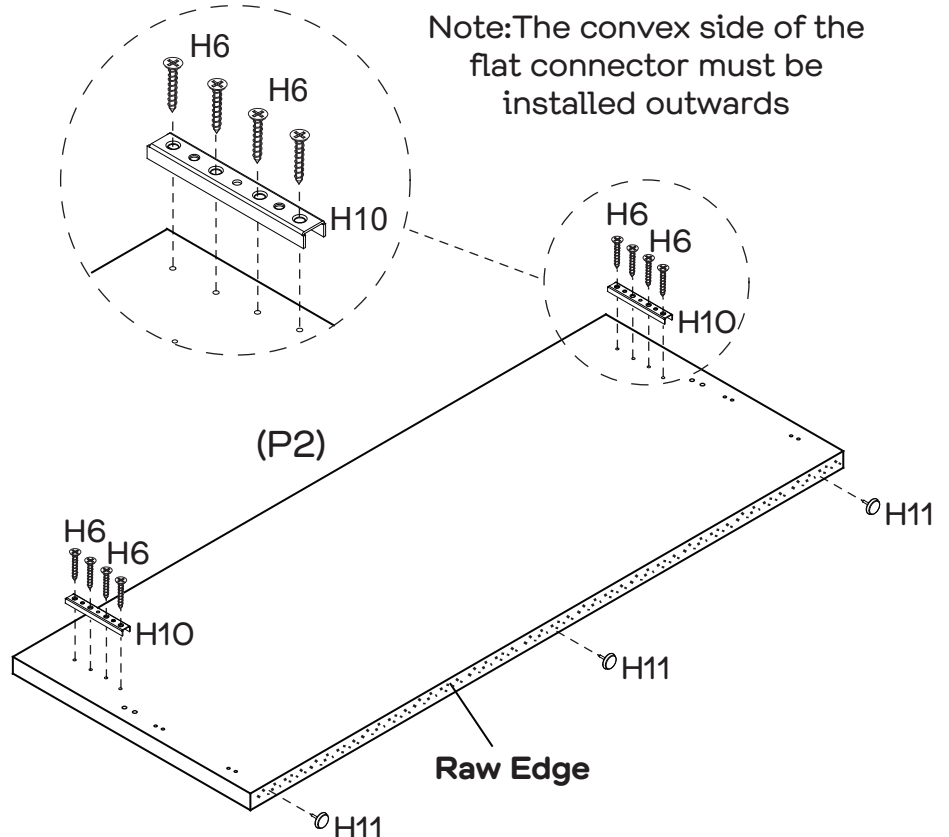
You will need	
	
8 x Screws (H6)	2 x Flat Connectors (H10)
	
3 x Plastic Glides (H11)	Hammer
	
Phillips head screwdriver	



Attach 2 x Flat Connectors (H10) to Bedhead (P1) with 8 x Screws (H6).  
Then hammer 3 x Plastic Glides (H11) on the bottom of Bedhead (P1).




## Step 4

You will need	
	
8 x Screws (H6)	2 x Flat Connectors (H10)
	
3 x Plastic Glides (H11)	Hammer
	
Phillips head screwdriver	

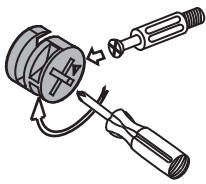


Attach 2 x Flat Connectors (H10) to Bedfoot (P2) with 8 x Screws (H6).  
Then hammer 3 x Plastic Glides (H11) on the bottom of Bedfoot (P2).

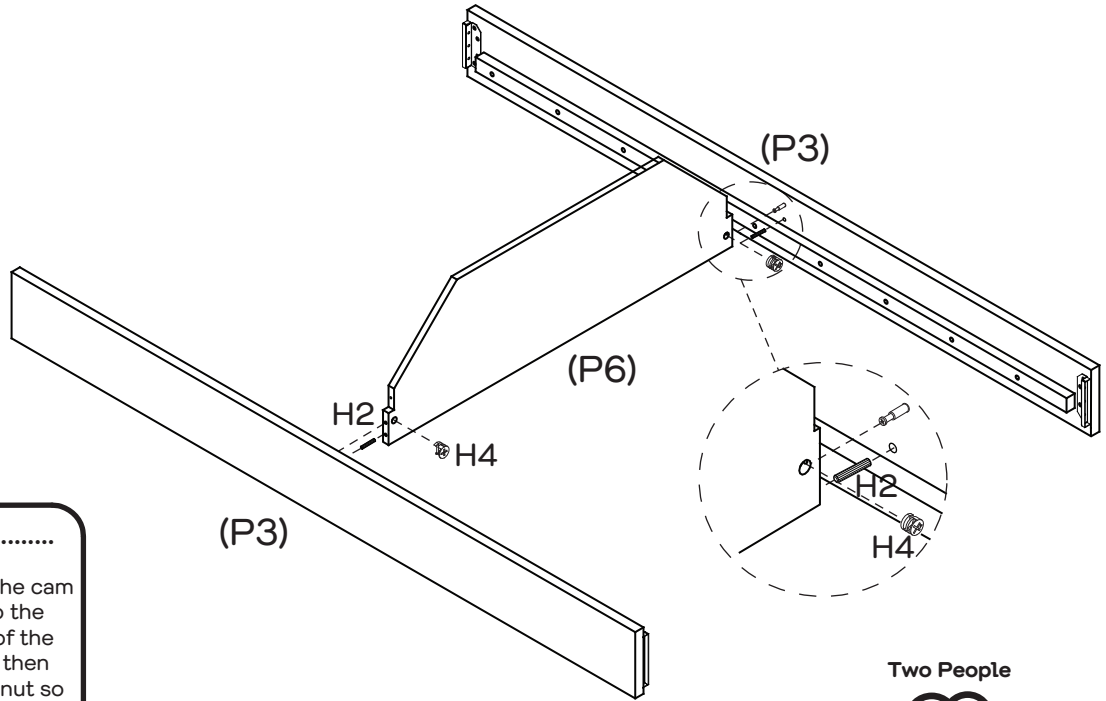
# Step 5

You will need	
	
2 x Dowels (H2)	2 x Cam Nuts (H4)
	
Flat head screwdriver	

This is how a cam nut works.....



The head of the cam bolt goes into the open mouth of the cam nut. You then turn the cam nut so the arrow points towards the incoming cam bolts.







Two People

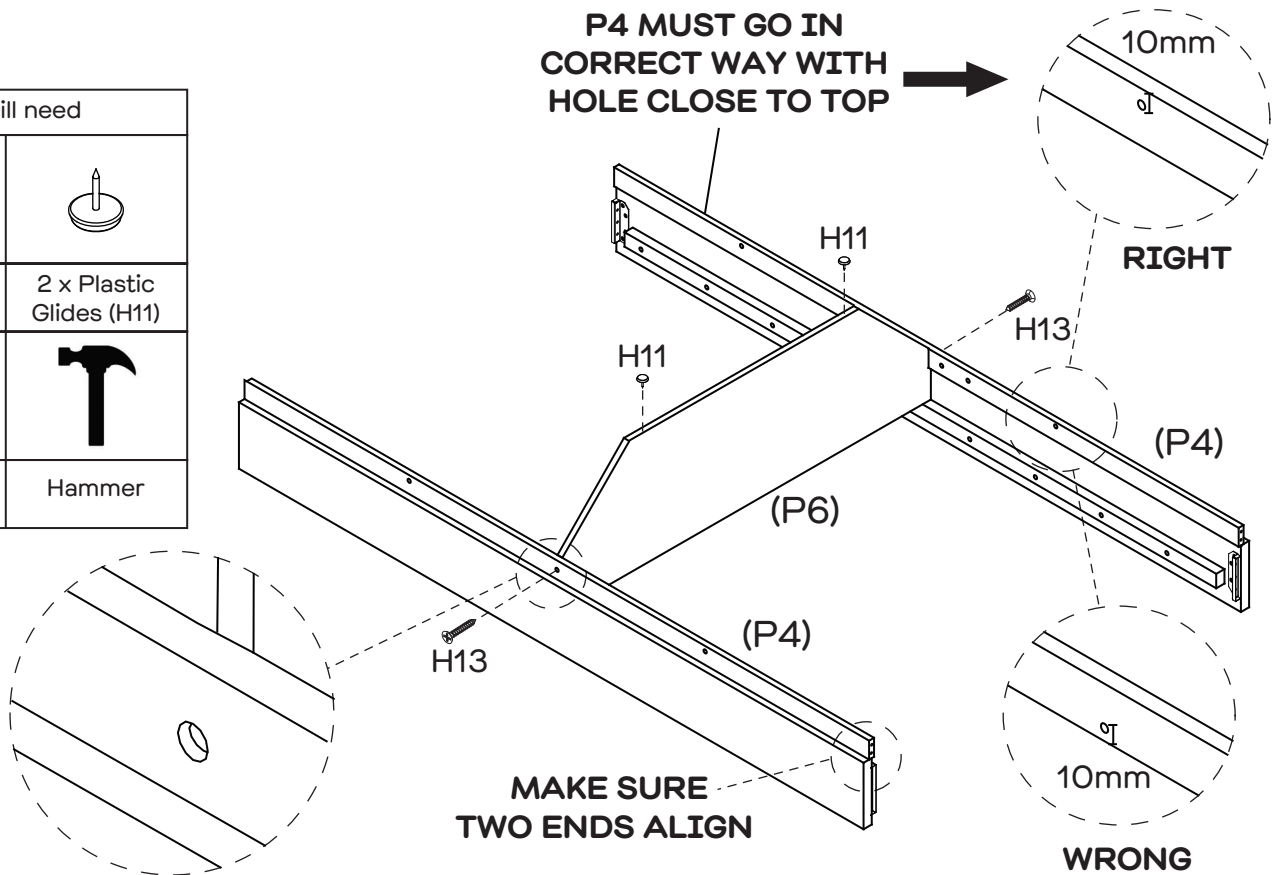


Required

Insert 2 x Dowels (H2) into Side Rails (P3).  
 Insert 2 x Cam Nuts (H4) into the holes of Clapboard (P6).  
 Rotate the cam nuts so the arrow points towards the incoming cam bolts.  
 Push Side Rails (P3) into place and tighten the cam nuts.


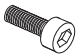


# Step 6

You will need	
	
2 x Long Screws (H13)	2 x Plastic Glides (H11)
	
Phillips head screwdriver	Hammer



Attach Rails (P4) to Clapboard (P6) with 2 x Long Screws (H13).  
 Then hammer 2 x Plastic Glides (H11) on the bottom of Clapboard (P6).

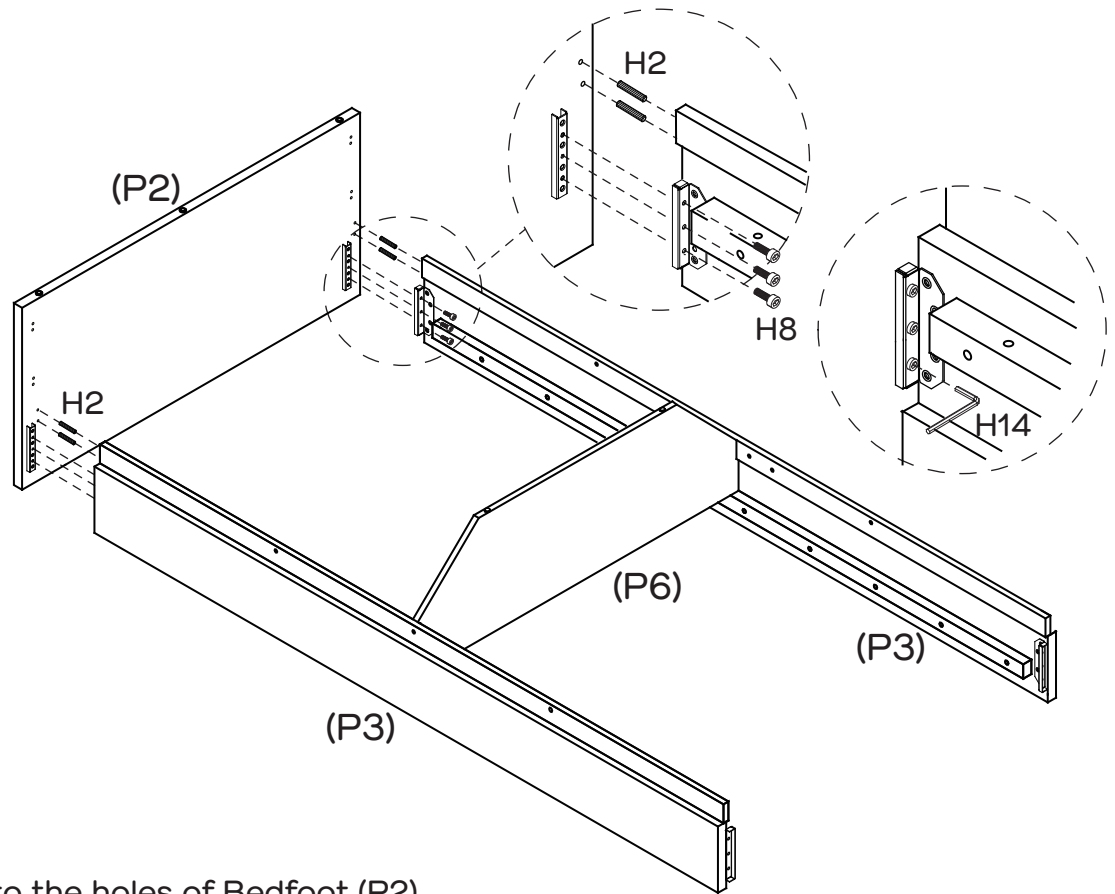
# Step 7

You will need	
	
4 x Dowels (H2)	6 x Bolts (H8)
	
1 x Allen Key (H14)	Hammer

Two People


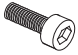




Required



Insert 4 x Dowels (H2) into the holes of Bedfoot (P2).  
Attach Side Rails (P3) to Bedfoot (P2) with 6 x Bolts (H8) using Allen Key (H14).

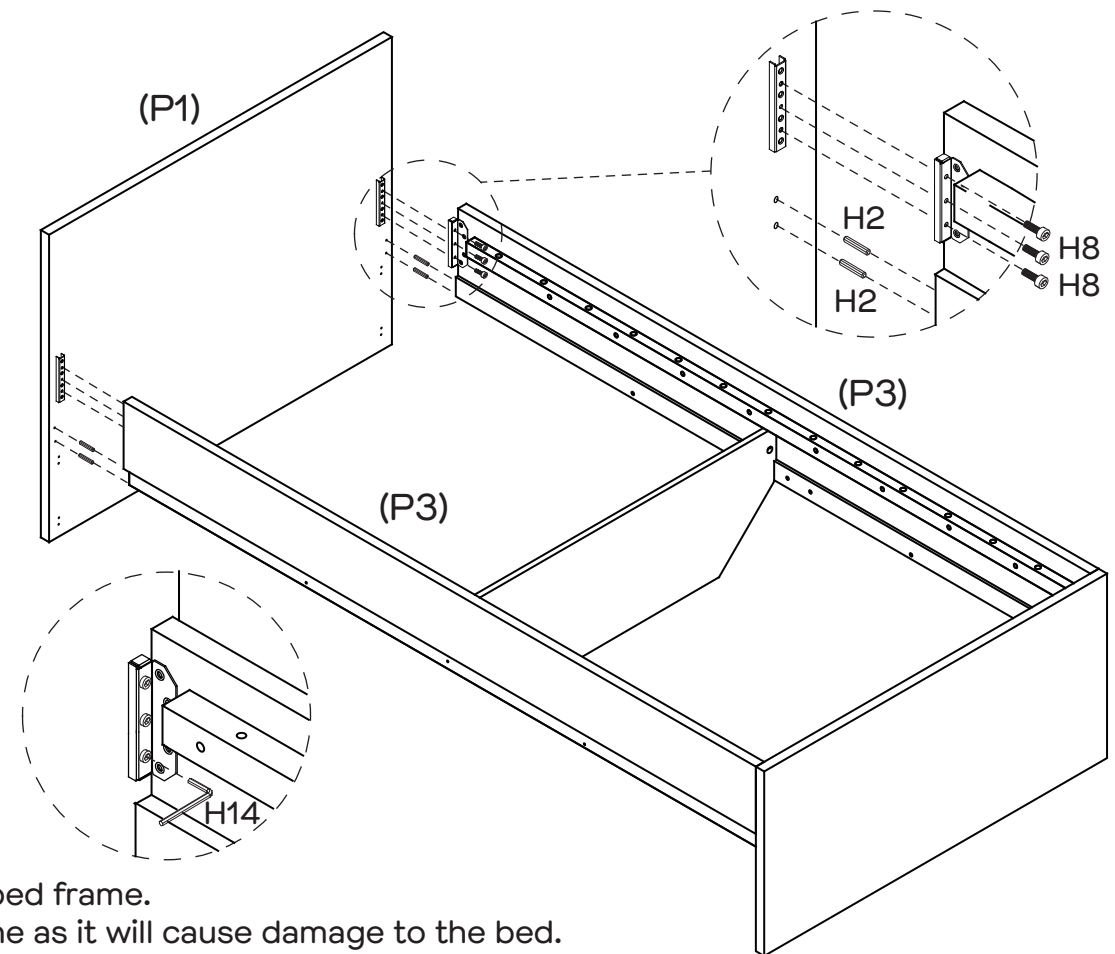
# Step 8

You will need	
	
4 x Dowels (H2)	6 x Bolts (H8)
	
1 x Allen Key (H14)	Hammer

Two People





Required

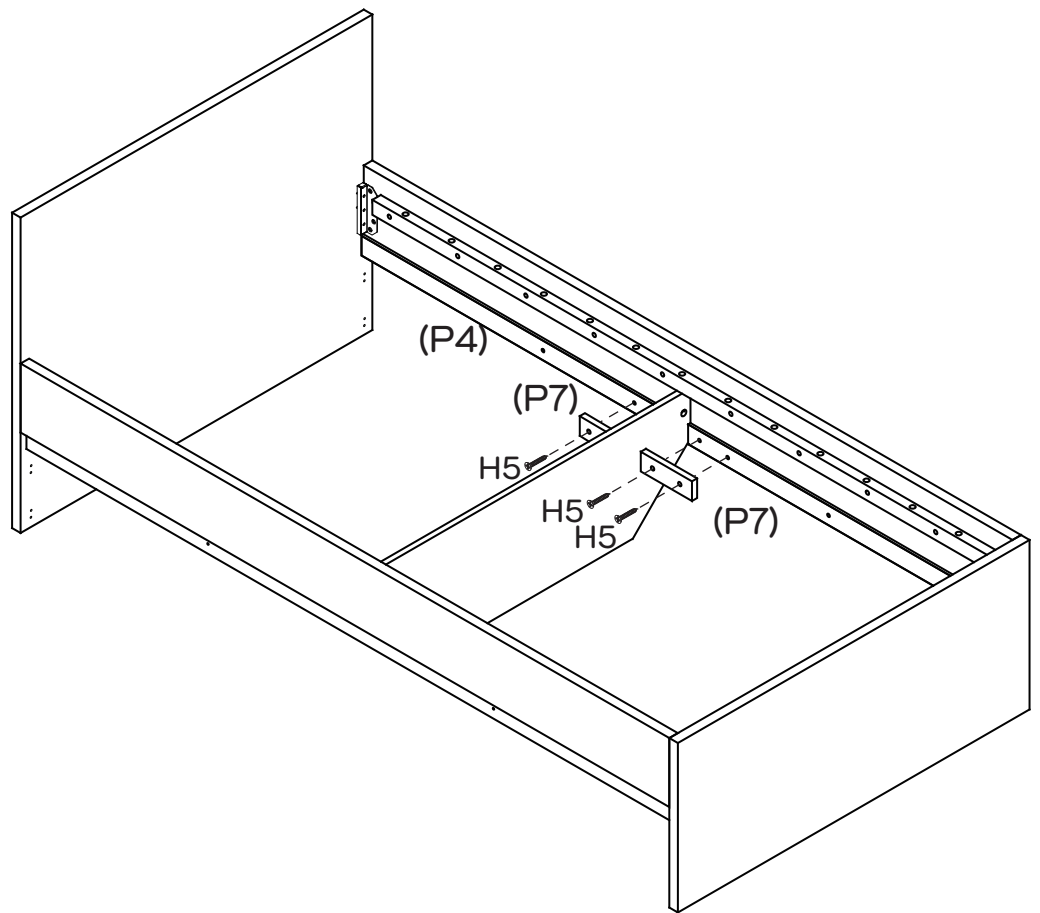
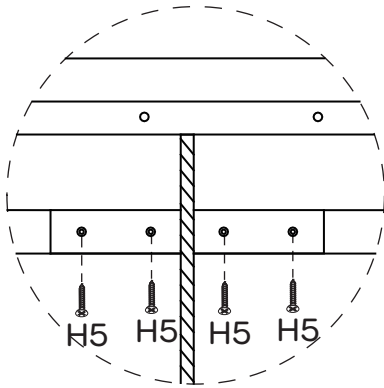


Carefully turn over the bed frame.  
Do not attempt this alone as it will cause damage to the bed.  
Insert 4 x Dowels (H2) into the holes of Bedhead (P1). Attach Side Rails (P3) to Bedhead (P1) with 6 x Bolts (H8) using Allen Key (H14). Tighten firmly.  
Move the bed to final position then check and tighten all bolts attaching the Side Rails to the Bedhead and Bedfoot.



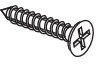

## Step 9

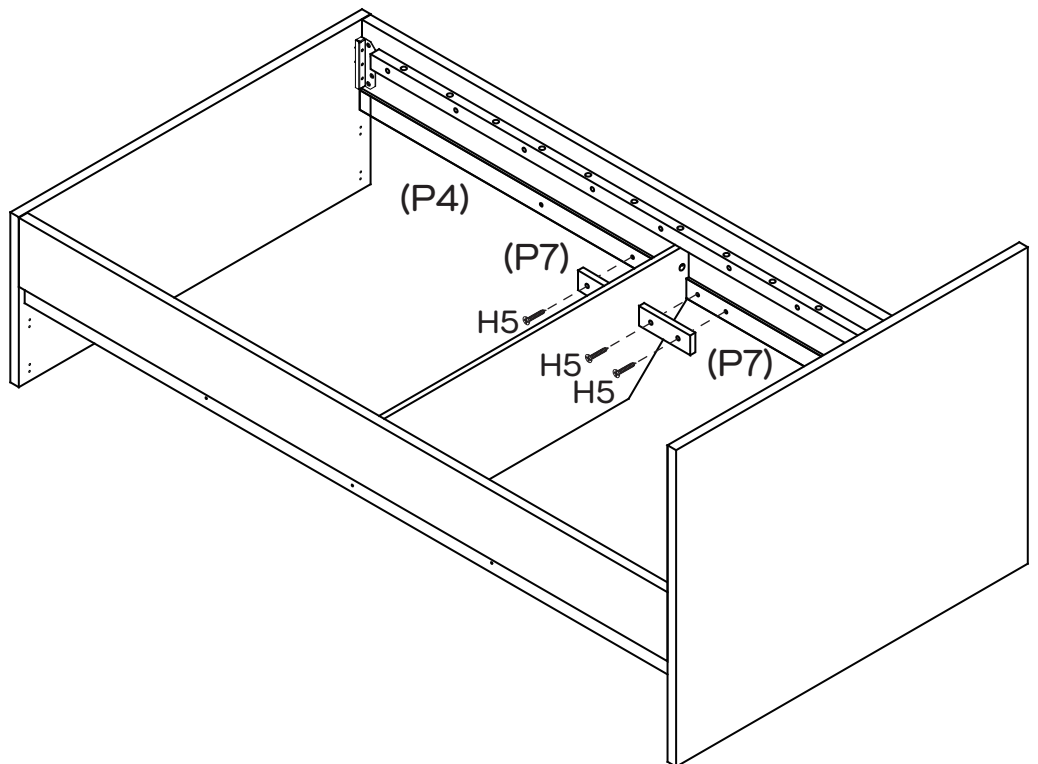
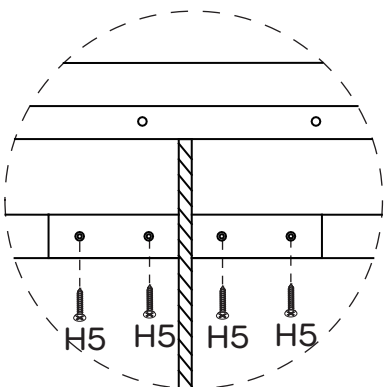
You will need	
	
4 x Blue Screws (H5)	Phillips head screwdriver



Attach 2 x Blocks (P7) to Rail (P4) with 4 x Blue Screws (H5).

## Step 10

You will need	
	
4 x Blue Screws (H5)	Phillips head screwdriver


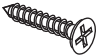




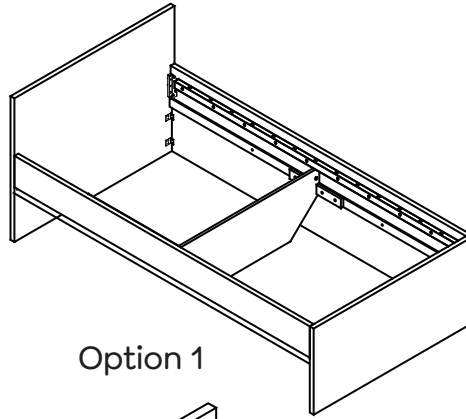
Attach 2 x Blocks (P7) to Rail (P4) with 4 x Blue Screws (H5).

# Step 11

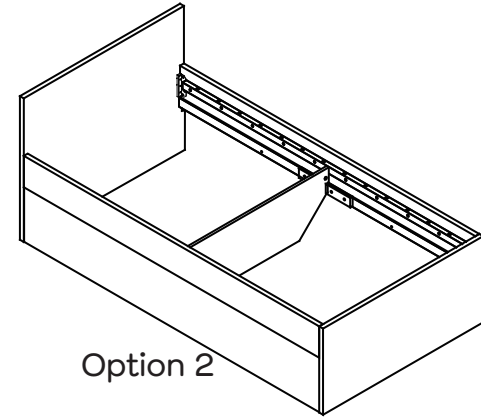
Option 1: Base Panel on right hand side

Option 2: Base Panel on left hand side

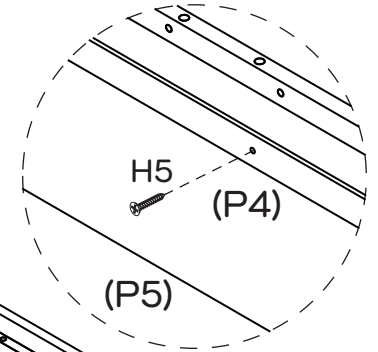
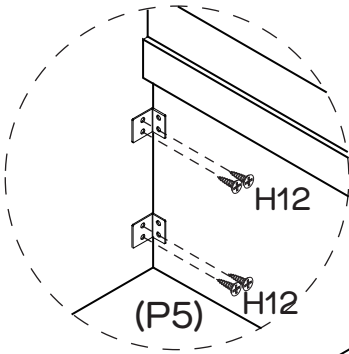
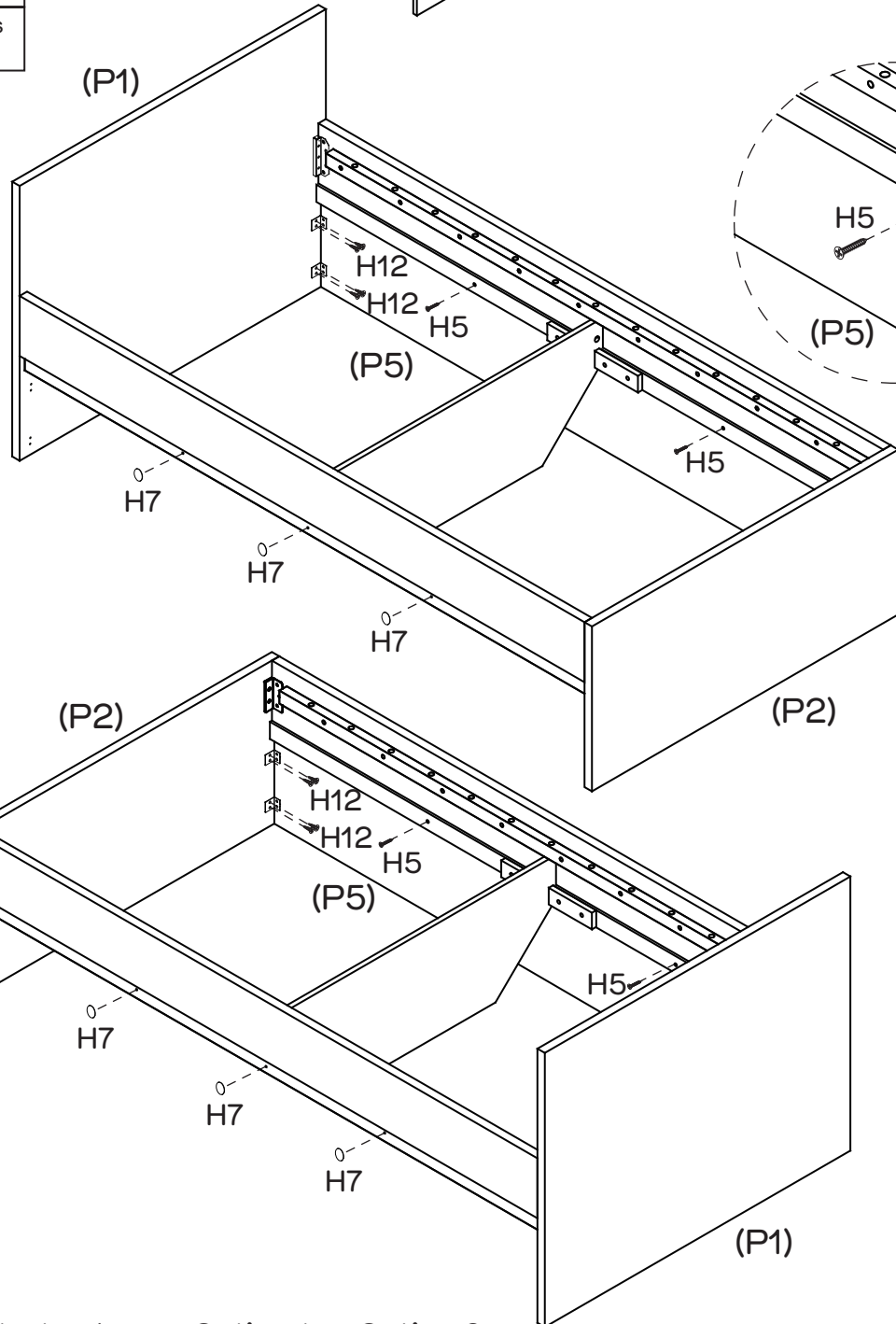
You will need	
	
8 x Small Screws (H12)	2 x Blue Screws (H5)
	
Phillips head screwdriver	3 x Stickers (H7)



Option 1





Option 2

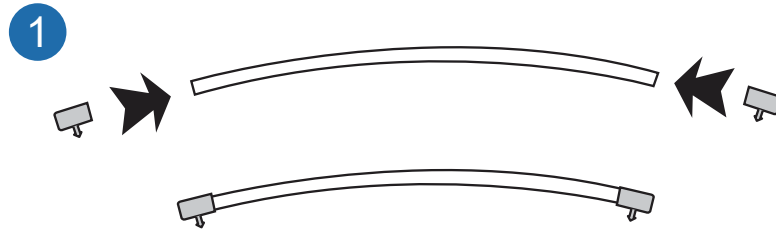


Whether you would like to choose Option 1 or Option 2, please attach Base Panel (P5) to Bedboard (P1,P2) with 8 x Small Screws (H12). Attach Base Panel (P5) to Rails (P4) with 2 x Blue Screws (H5). Attach 3 x Stickers (H7) to the holes of Rail (P4). And then follow the rest steps to assemble.

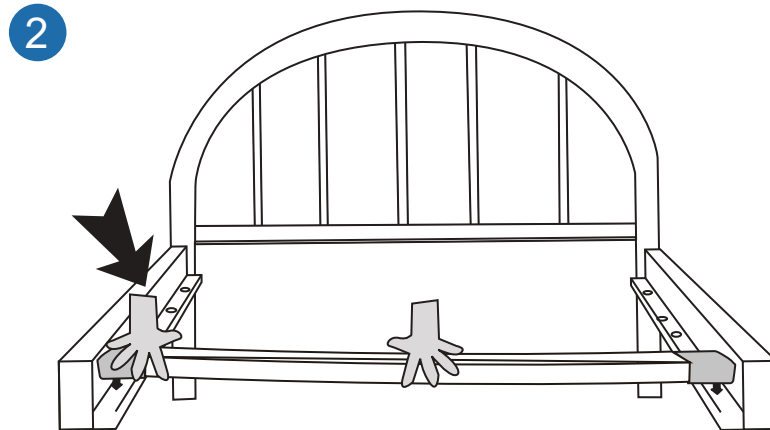
# Step 12

## HOW TO FIT YOUR COMFORT SLATS

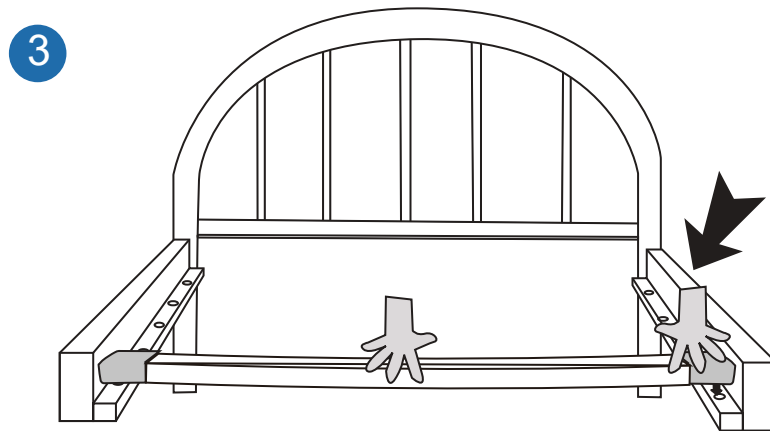
You will need	
	
26 x End Connectors	13 x Fantastic Furniture ComfortSlats™ Single



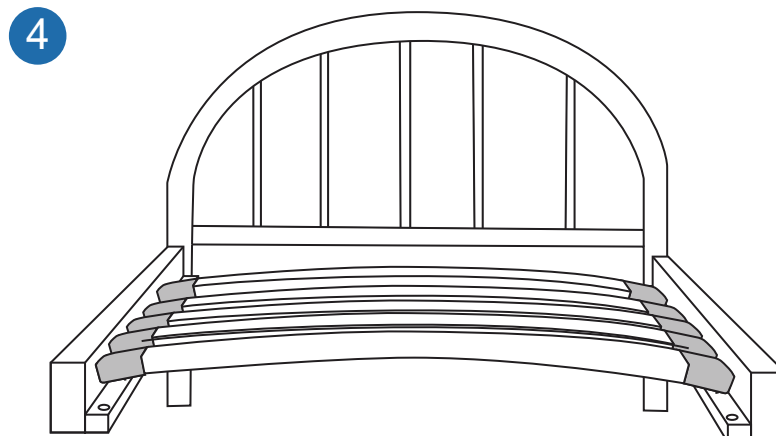
Push End Connectors firmly onto each Fantastic Furniture ComfortSlats™ Single.



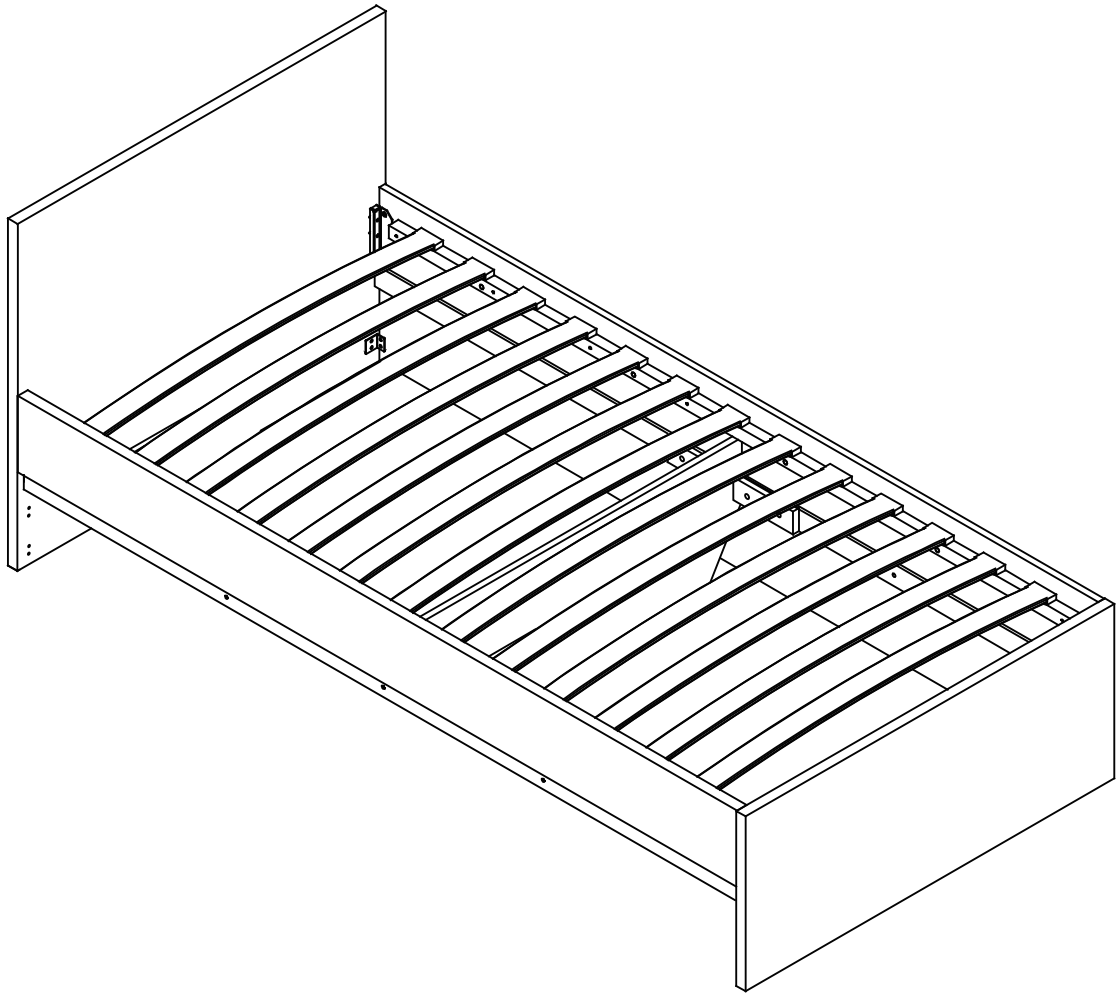
Place the slat in position then push down in the centre to flatten. Make sure the plastic prong lines up with the hole, then push in firmly.



Repeat the same process for the other end of the slat.



Repeat for every bed slat until finished.



## Job Complete!

In the interest of our environment please dispose of all packaging thoughtfully.