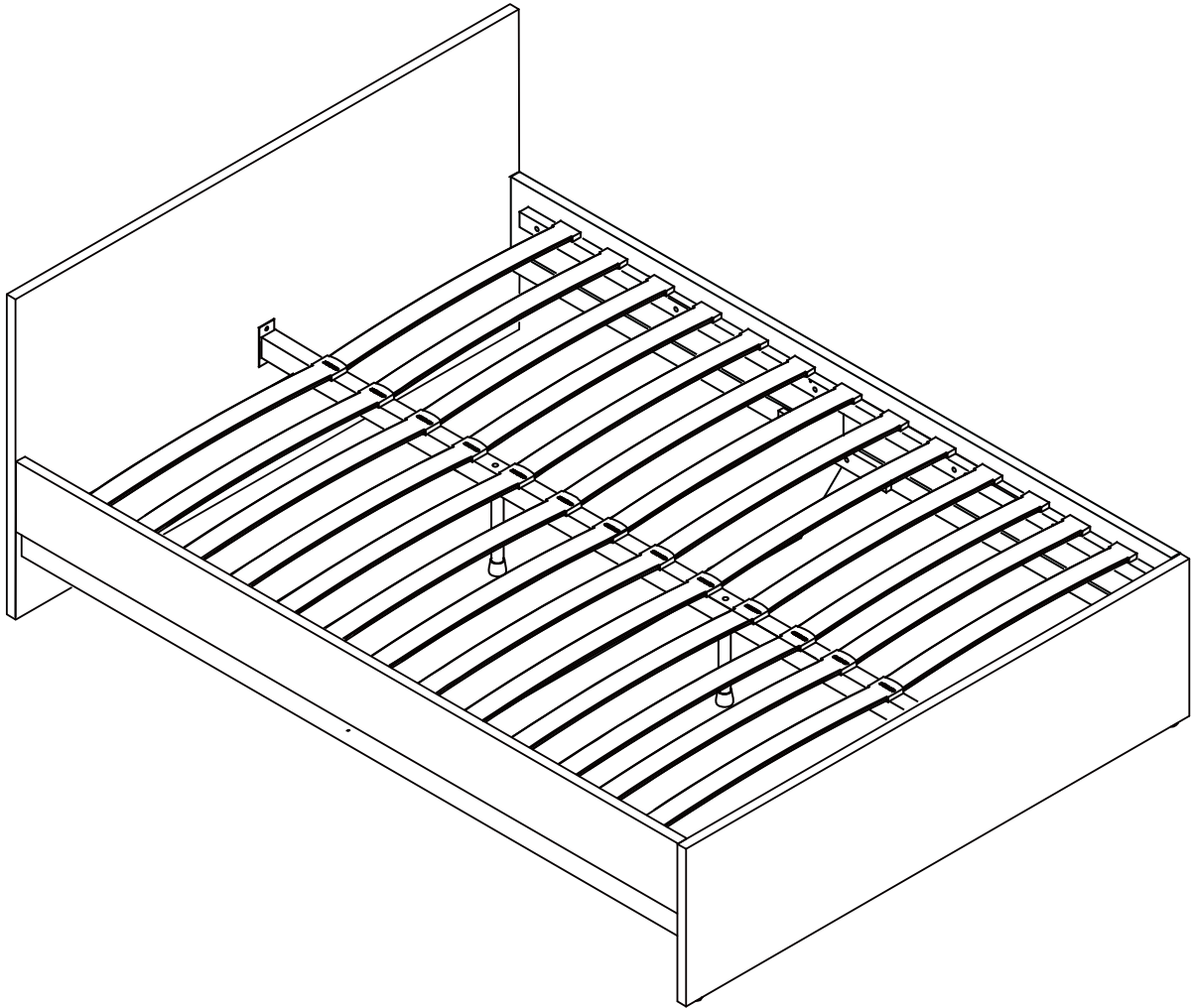
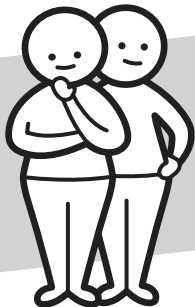




Version 1.0



TWO PEOPLE



REQUIRED

# COMO

Bed Double MK2 (Frame Only)

[www.fantasticfurniture.com.au](http://www.fantasticfurniture.com.au)

# Enjoy

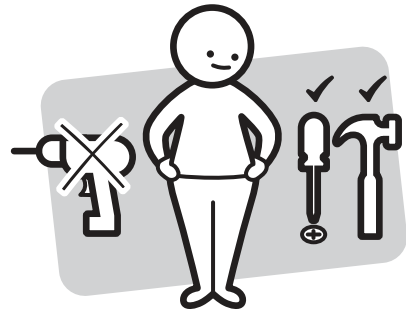
Your purchase from  
Australia's Best Value Furniture Store



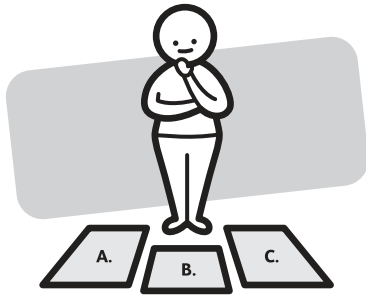
# Assembly checklist



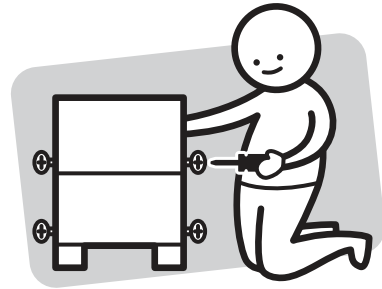
Read through the instructions carefully before you begin.



Make sure you have all the required tools. Never use power tools unless instructed.



Identify and lay out all of the components before you begin assembly.



Unless instructed, do not fully tighten screws until the item is fully assembled.

## Useful Information

- ! Never use power tools unless specifically instructed. They can damage your components or hardware if used incorrectly.
- ! The most common mistakes made during assembly are using the wrong hardware or getting components back to front.
- ! Always use a soft surface (such as carpet or cardboard) when assembling your product to avoid scratching or damaging the surface of the product.
- ! Bulky items such as wardrobes and bunk beds should be assembled in the room they will be used in as they may not fit through a door once assembled.
- ! Never use any glue until you are certain that the parts belong together.
- ! Periodically check and re-tighten all fasteners. Check the product care label or website for product care instructions.
- ! If you are having any difficulties assembling your product, missing any hardware or components please visit our website Help Centre for further assistance.

# What you need

to assemble the product

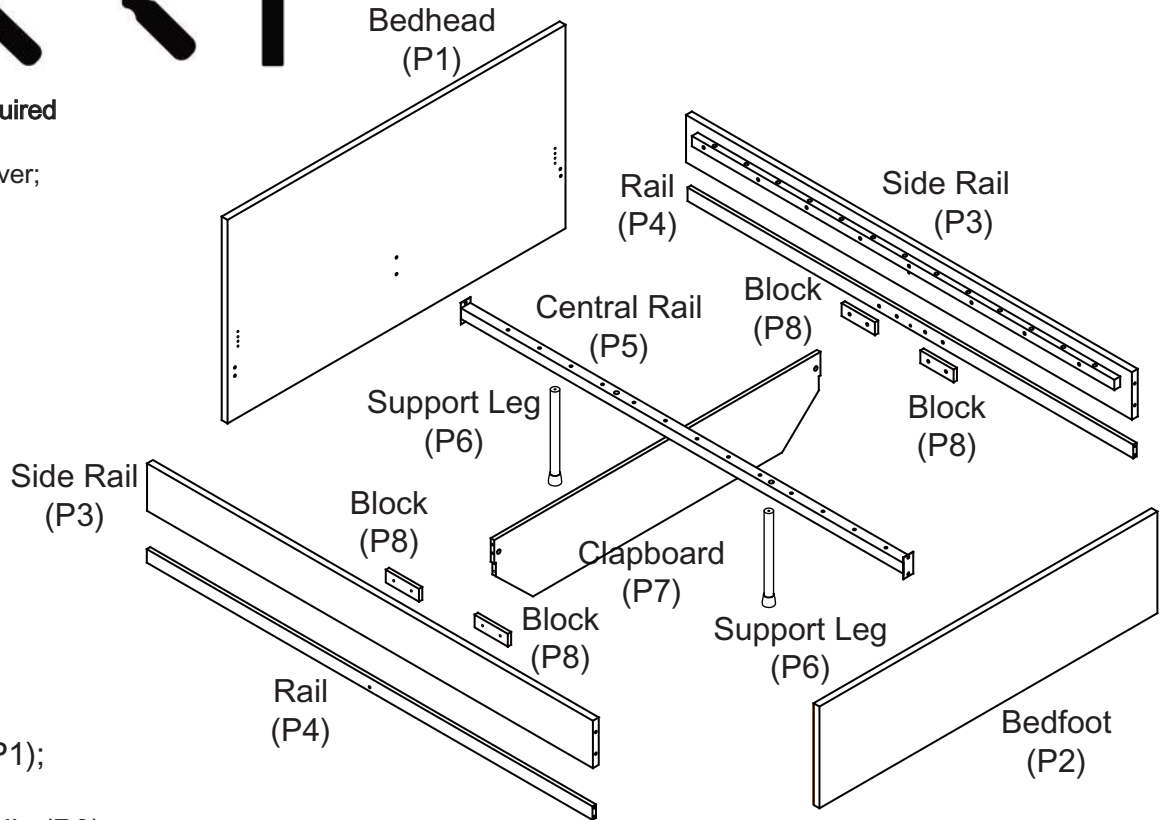


DO NOT USE



## Additional Tools Required

Flat head screwdriver;  
Phillips head screwdriver;  
Hammer



## Parts list

**Box 1:** Bedhead (P1);  
Bedfoot (P2);  
**Box 2:** 2 x Side Rails (P3);  
2 x Rails (P4);  
Central Rail (P5);  
2 x Support Legs (P6);  
Clapboard (P7);  
4 x Blocks (P8)

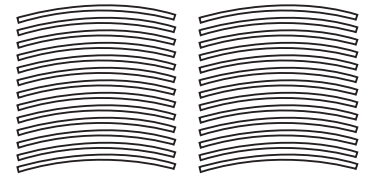
26 x End Connectors



13 x Centre Connectors




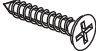


26 x Fantastic Furniture  
ComfortSlats™ Double

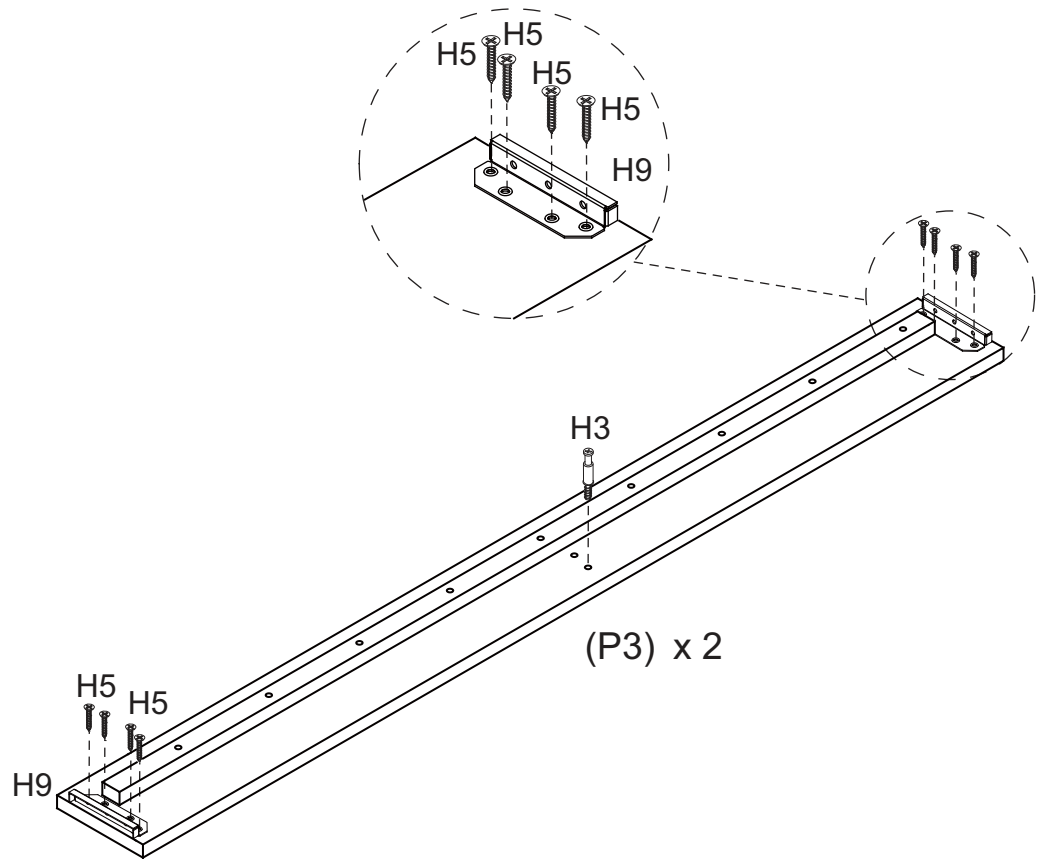


## Hardware pack in Box 1

|                     |                           |                           |                          |                                   |                              |                              |
|---------------------|---------------------------|---------------------------|--------------------------|-----------------------------------|------------------------------|------------------------------|
|                     |                           |                           |                          |                                   |                              |                              |
| 2 x Long Bolts (H1) | 10 x Dowels (H2)          | 2 x Cam Bolts (H3)        | 2 x Cam Nuts (H4)        | 28 x Blue Screws (Ø4 x 25mm) (H5) | 16 x Screws (Ø4 x 30mm) (H6) | 2 x Stickers (H7)            |
|                     |                           |                           |                          |                                   |                              |                              |
| 12 x Bolts (H8)     | 4 x Elbow Connectors (H9) | 4 x Flat Connectors (H10) | 9 x Plastic Glides (H11) | 2 x Long Screws (Ø4 x 35mm) (H12) | 1 x Allen Key (Large) (H13)  | 1 x Allen Key (Medium) (H14) |

# Step 1






| You will need   |   |
|---|---|
|  |  |
| 2 x Cam Bolts (H3)  | 16 x Blue Screws (H5)   |
|  |  |
| 4 x Elbow Connectors (H9)   | Phillips head screwdriver   |

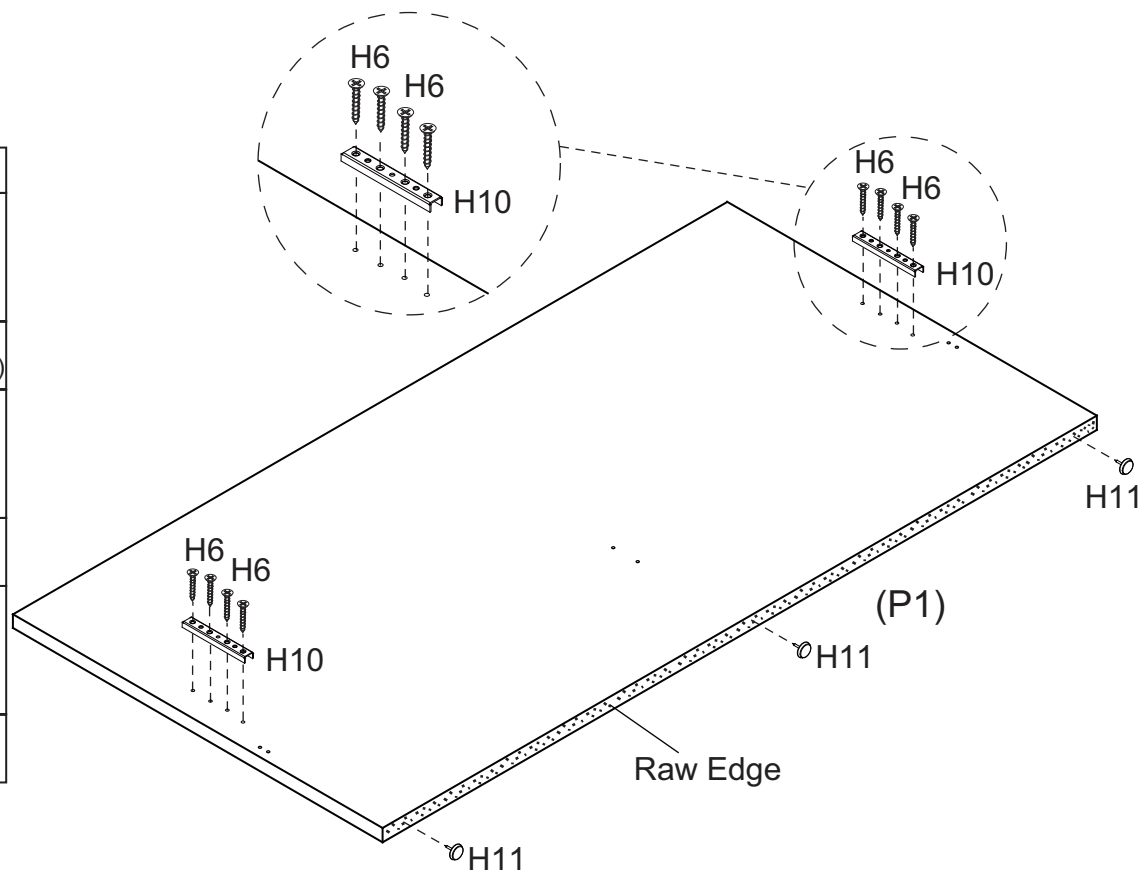


Attach 1 x Cam Bolt (H3) to each Side Rail (P3).

Attach 2 x Elbow Connectors (H9) to each Side Rail (P3) with 8 x Blue Screws (H5).






# Step 2

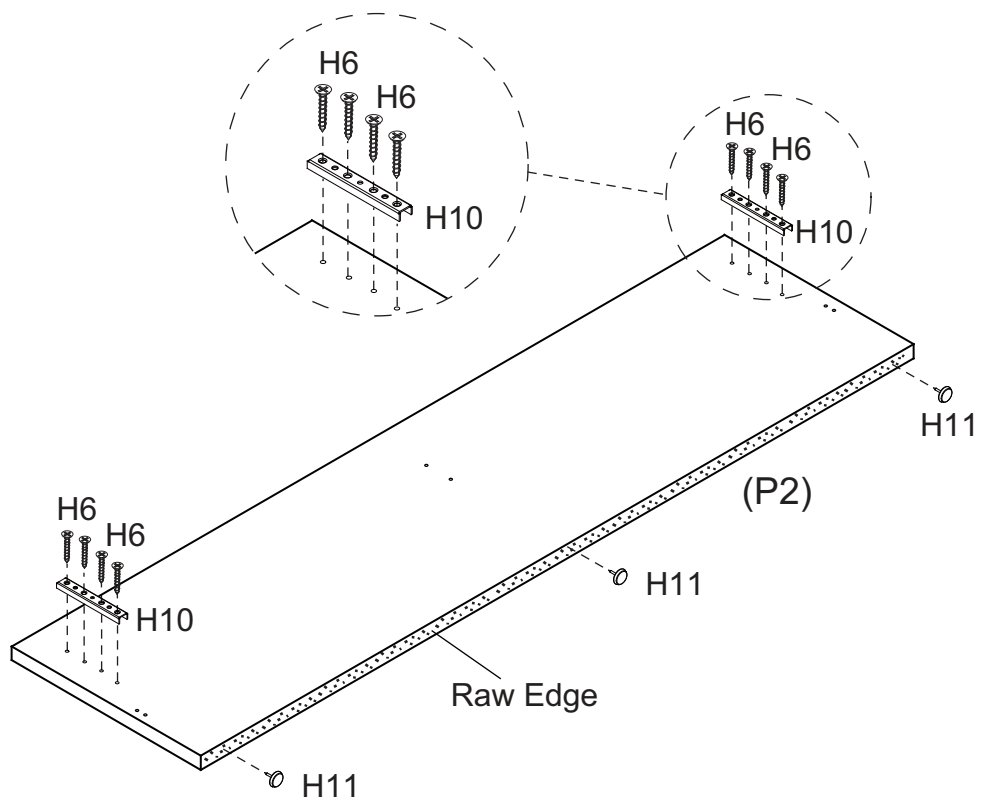
| You will need   |   |
|---|---|
|  |  |
| 8 x Screws (H6)   | 2 x Flat Connectors (H10)   |
|  |  |
| 3 x Plastic Glides (H11)  | Hammer  |
|  |   |
| Phillips head screwdriver   |   |



Attach 2 x Flat Connectors (H10) to Bedhead (P1) with 8 x Screws (H6).  
Then hammer 3 x Plastic Glides (H11) on the bottom of Bedhead (P1).




## Step 3

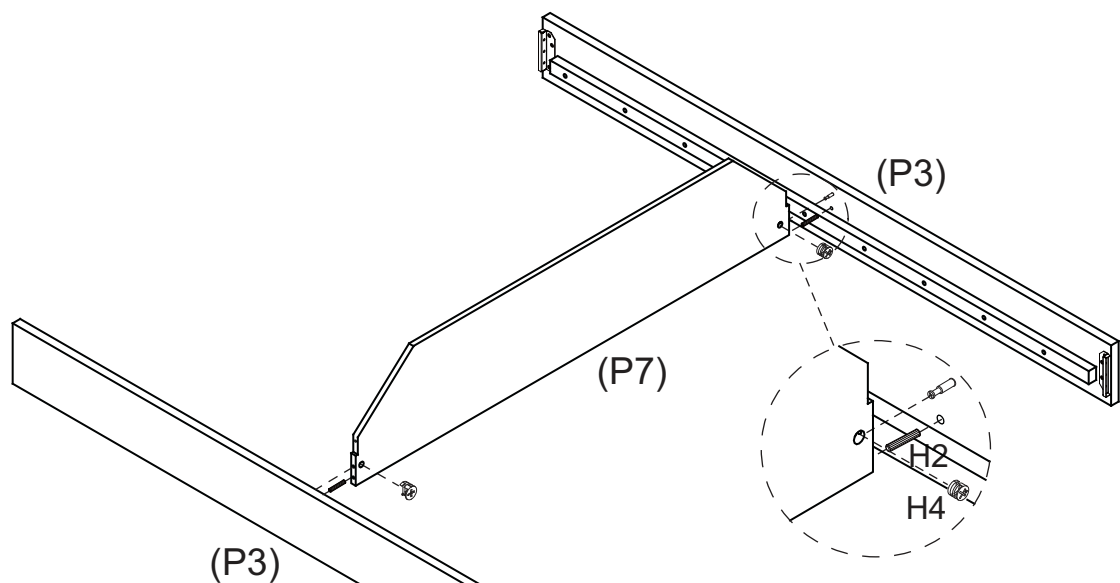
| You will need   |   |
|---|---|
|  |  |
| 8 x Screws (H6)   | 2 x Flat Connectors (H10)   |
|  |  |
| 3 x Plastic Glides (H11)  | Hammer  |
|  |   |
| Phillips head screwdriver   |   |



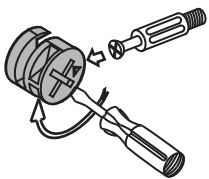
Attach 2 x Flat Connectors (H10) to Bedfoot (P2) with 8 x Screws (H6).  
Then hammer 3 x Plastic Glides (H11) on the bottom of Bedfoot (P2).

## Step 4

| You will need   |   |
|---|---|
|  |  |
| 2 x Dowels (H2)   | 2 x Cam Nuts (H4)   |
|  |   |
| Flat head screwdriver   |   |



This is how a cam nut works.....



The head of the cam bolt goes into the open mouth of the cam nut. You then turn the cam nut so it tightens over the bolt.

**TWO PEOPLE**







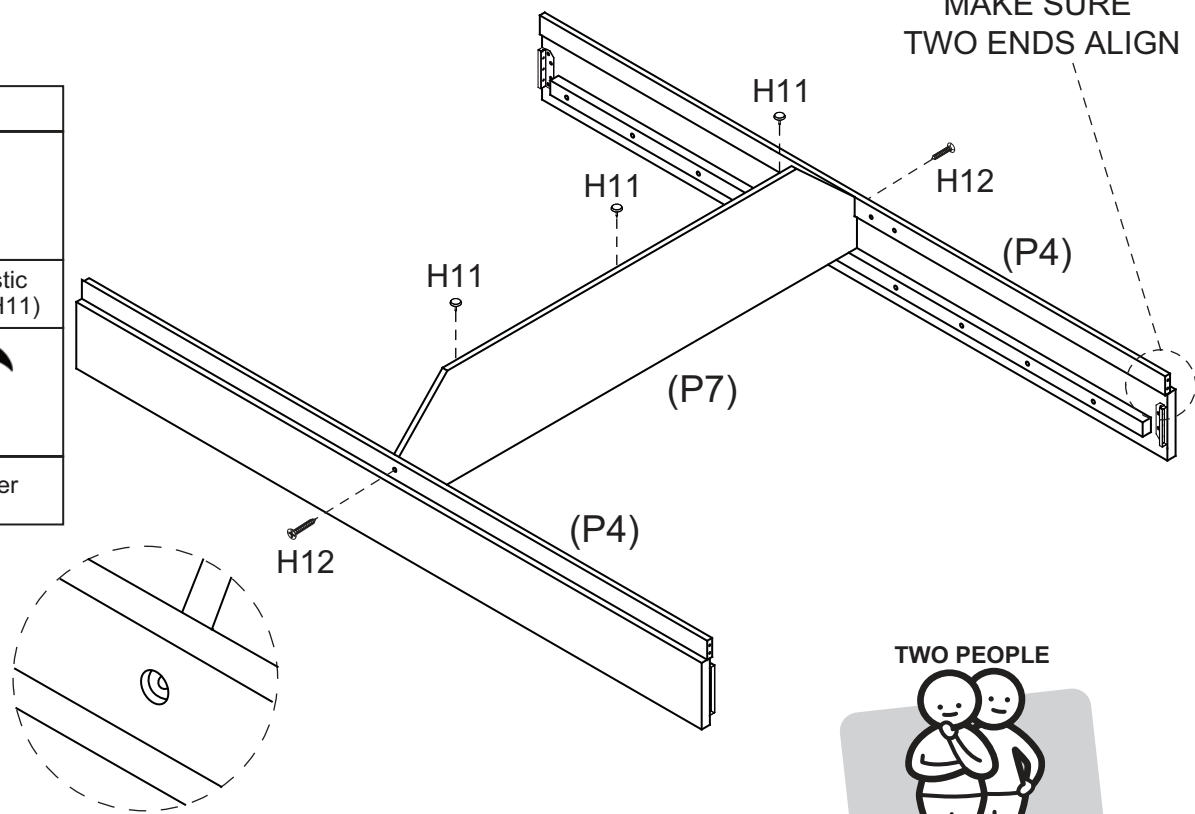
**REQUIRED**

Insert 2 x Dowels (H2) into Side Rails (P3).  
Insert 2 x Cam Nuts (H4) into the holes of Clapboard (P7).  
Rotate the cam nuts so the arrow points towards the incoming cam bolts.  
Push Side Rails (P3) into place and tighten the cam nuts.

[www.fantasticfurniture.com.au](http://www.fantasticfurniture.com.au)


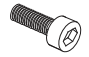


# Step 5

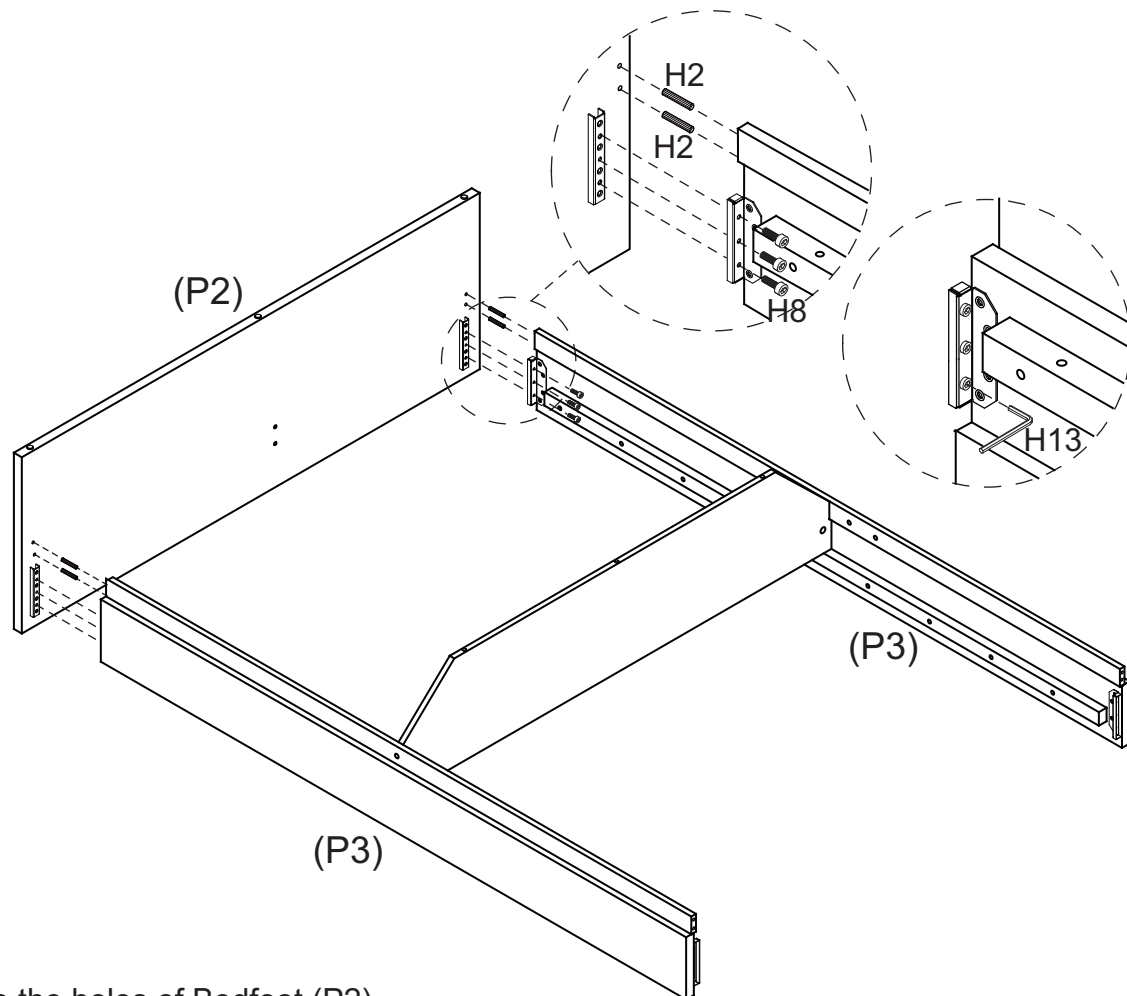
| You will need   |   |
|---|---|
|  |  |
| 2 x Long Screws (H12)   | 3 x Plastic Glides (H11)  |
|  |  |
| Phillips head screwdriver   | Hammer  |



Attach Rails (P4) to Clapboard (P7) with 2 x Long Screws (H12). Then hammer 3 x Plastic Glides (H11) on the bottom of Clapboard (P7).

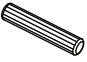
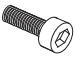


# Step 6

| You will need   |   |
|---|---|
|  |  |
| 4 x Dowels (H2)   | 6 x Bolts (H8)  |
|  |  |
| 1 x Allen Key (Large) (H13)   | Hammer  |



Insert 4 x Dowels (H2) into the holes of Bedfoot (P2). Attach Side Rails (P3) to Bedfoot (P2) with 6 x Bolts (H8) using Allen Key (H13). Do not fully tighten bolts, leave a little loose at this stage.

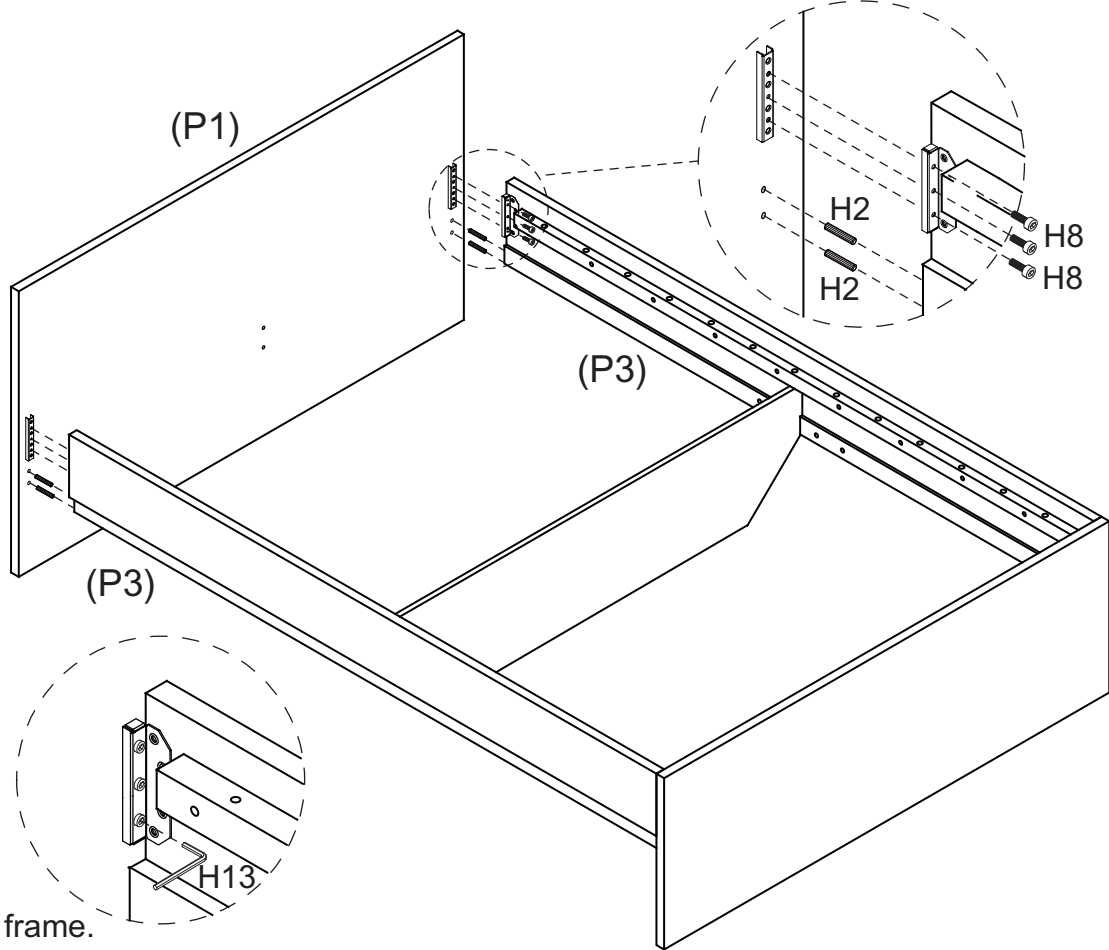
# Step 7

| You will need   |   |
|---|---|
|  |  |
| 4 x Dowels (H2)   | 6 x Bolts (H8)  |
|  |  |
| 1 x Allen Key (Large) (H13)   | Hammer  |

TWO PEOPLE



REQUIRED



Carefully turn over the bed frame.



Do not attempt this alone as it will cause damage to the bed.

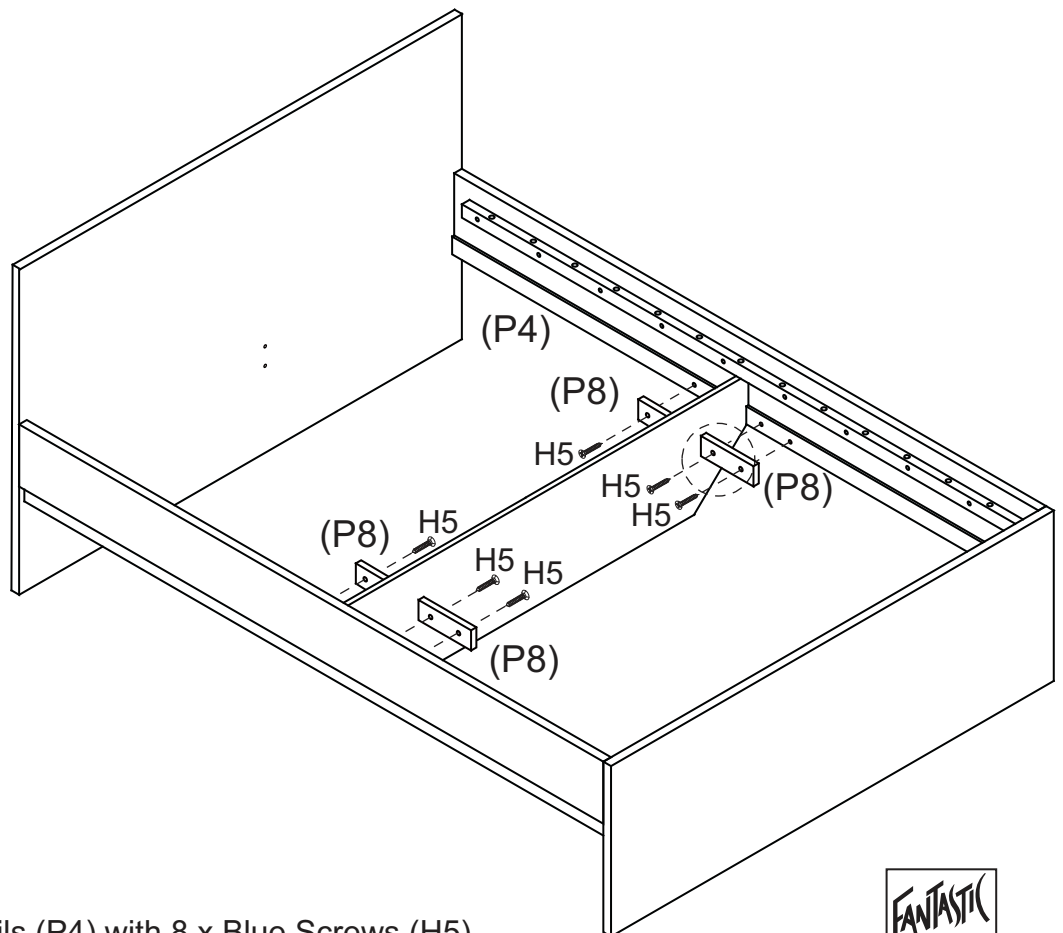
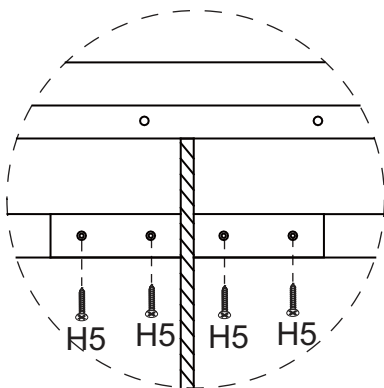
Insert 4 x Dowels (H2) into the holes of Bedhead (P1).

Attach Side Rails (P3) to Bedhead (P1) with 6 x Bolts (H8) using Allen Key (H13). Tighten firmly.

Move the bed to final position then check and tighten all bolts attaching the Side Rails to the Bedhead and Bedfoot.

# Step 8

| You will need   |   |
|---|---|
|  |  |
| 8 x Blue Screws (H5)  | Phillips head screwdriver   |

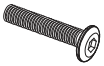



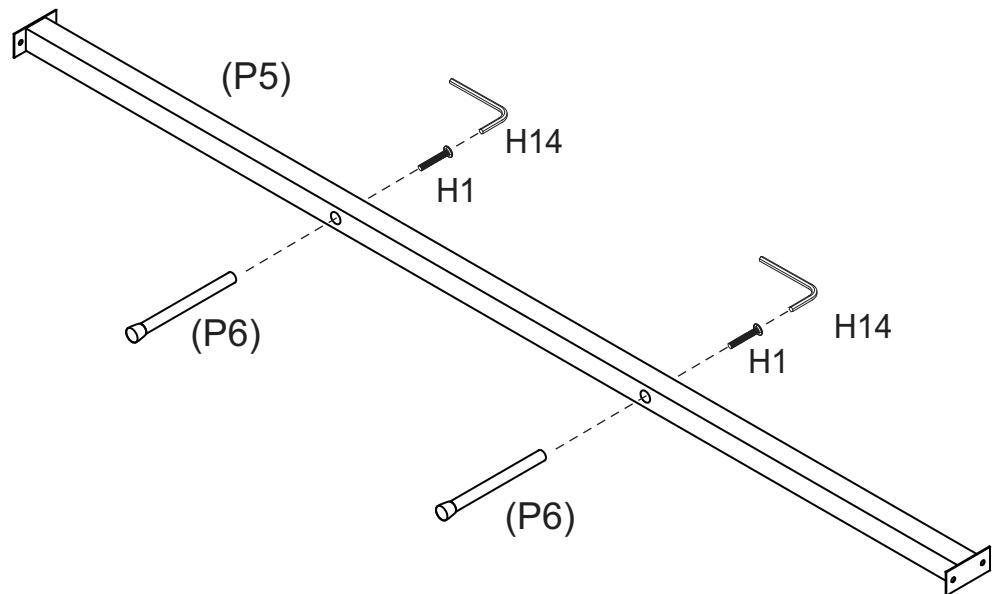
Attach 4 x Blocks (P8) to Rails (P4) with 8 x Blue Screws (H5).

[www.fantasticfurniture.com.au](http://www.fantasticfurniture.com.au)



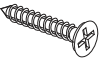


## Step 9

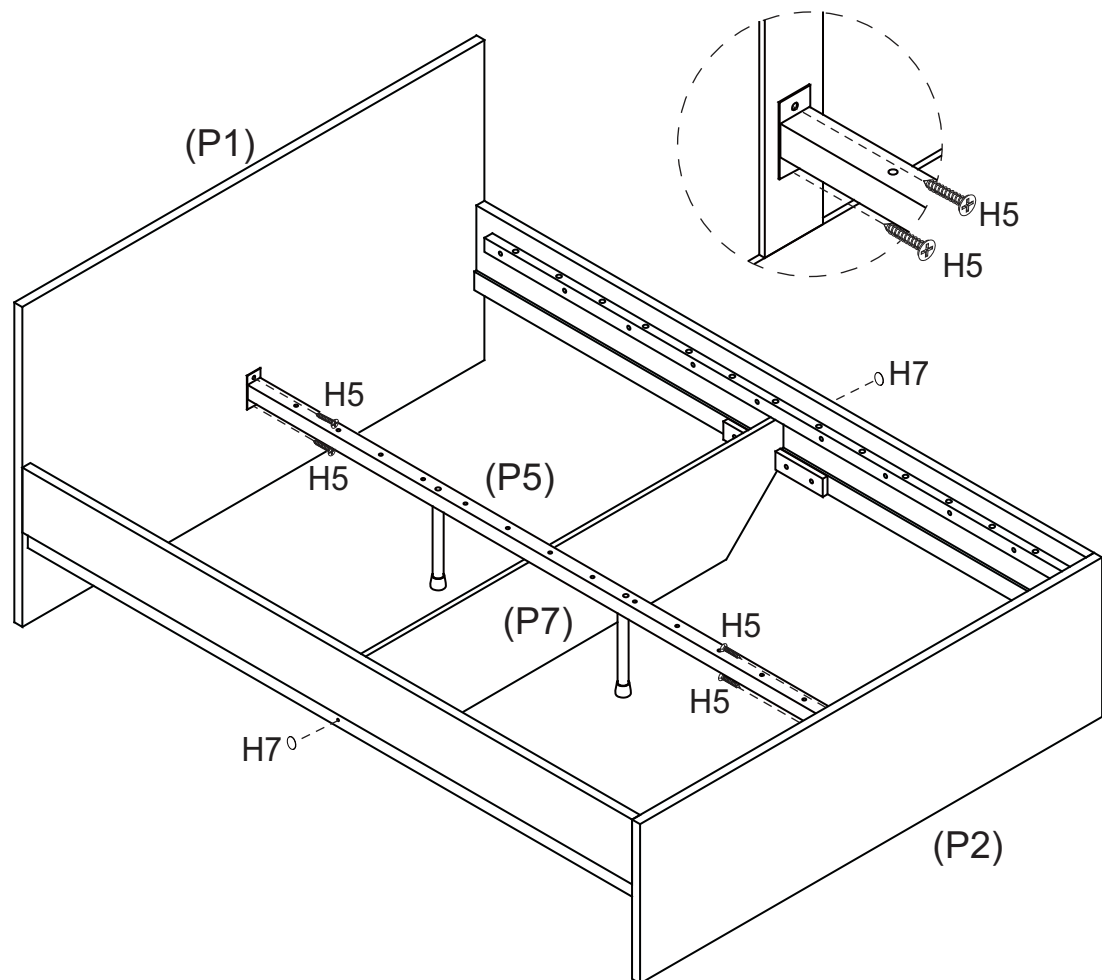
| You will need   |   |
|---|---|
|  |  |
| 2 x Long Bolts (H1)   | 1 x Allen Key (Medium) (H14)  |



Attach 2 x Support Legs (P6) to Central Rail (P5) with 2 x Long Bolts (H1) using Allen Key (H14).




## Step 10

| You will need   |   |
|---|---|
|  |  |
| 4 x Blue Screws (H5)  | Phillips head screwdriver   |
|  |   |
| 2 x Stickers (H7)   |   |



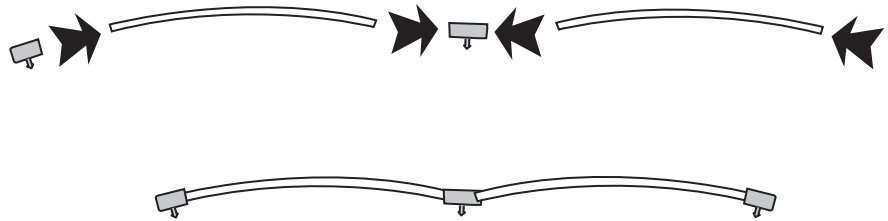
Attach Central Rail (P5) to Bedhead (P1) and Bedfoot (P2) as shown. Then screw Central Rail (P5) with 4 x Blue Screws (H5). Attach 2 x Stickers (H7) to the holes of Rails (P4).

# Step 11

| You will need   |   |
|---|---|
|  |  |
| 26 x End Connectors   | 26 x Fantastic Furniture ComfortSlat™ Double                                      |
|  |   |
| 13 x Centre Connectors  |   |

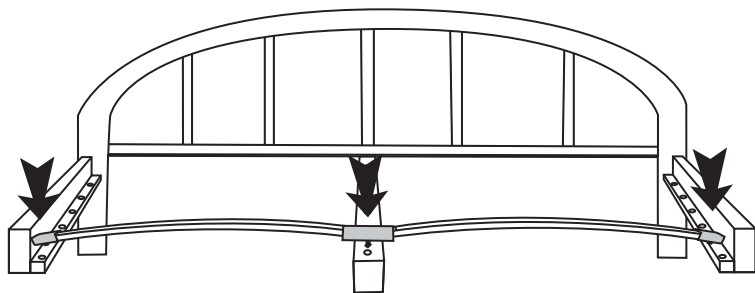
## HOW TO FIT YOUR COMFORT SLATS

1



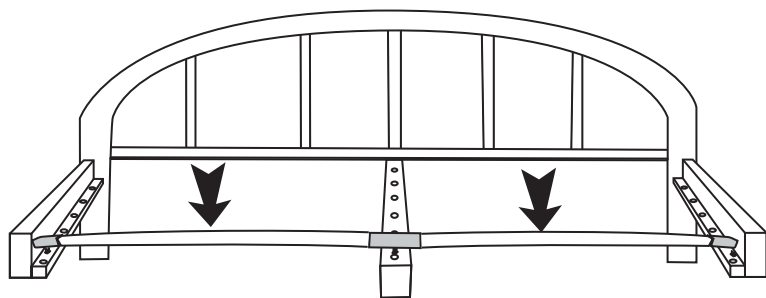
Push 2 End Connectors, 2 Fantastic Furniture ComfortSlats™ Double and a Centre Connector together.

2



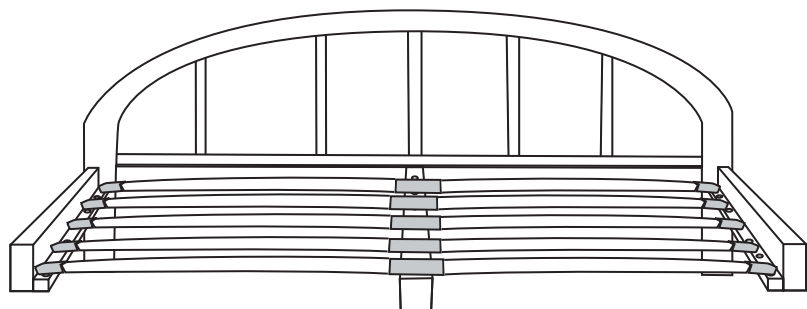
Insert the full slat into the side rail and centre rail one by one.

3

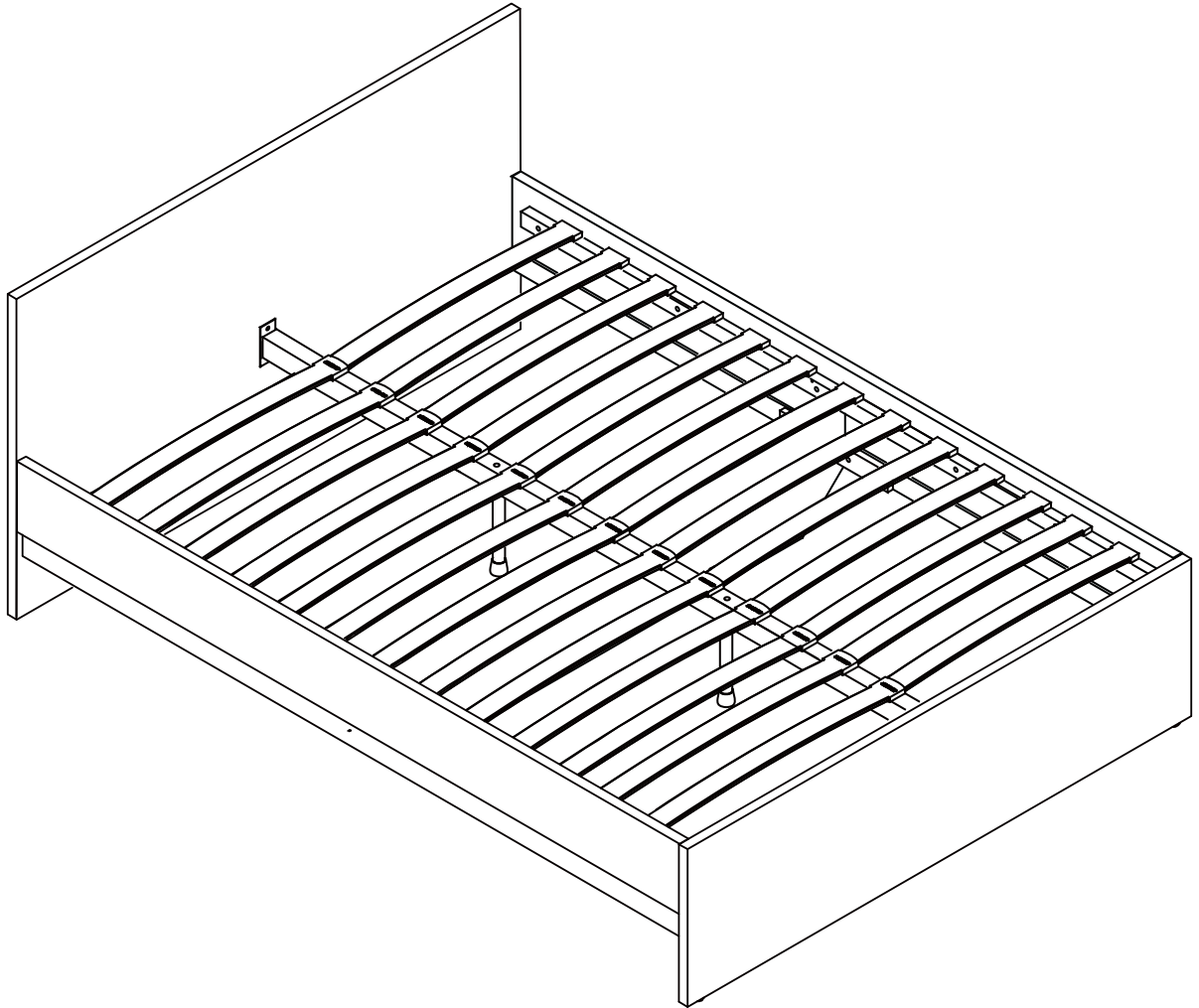


Sometimes it makes it easier to line up the hole if you press down in the middle of the slat to flatten it out.

4



Repeat for every bed slat until finished.



# Job Complete!

In the interest of our environment please dispose of all packaging thoughtfully.