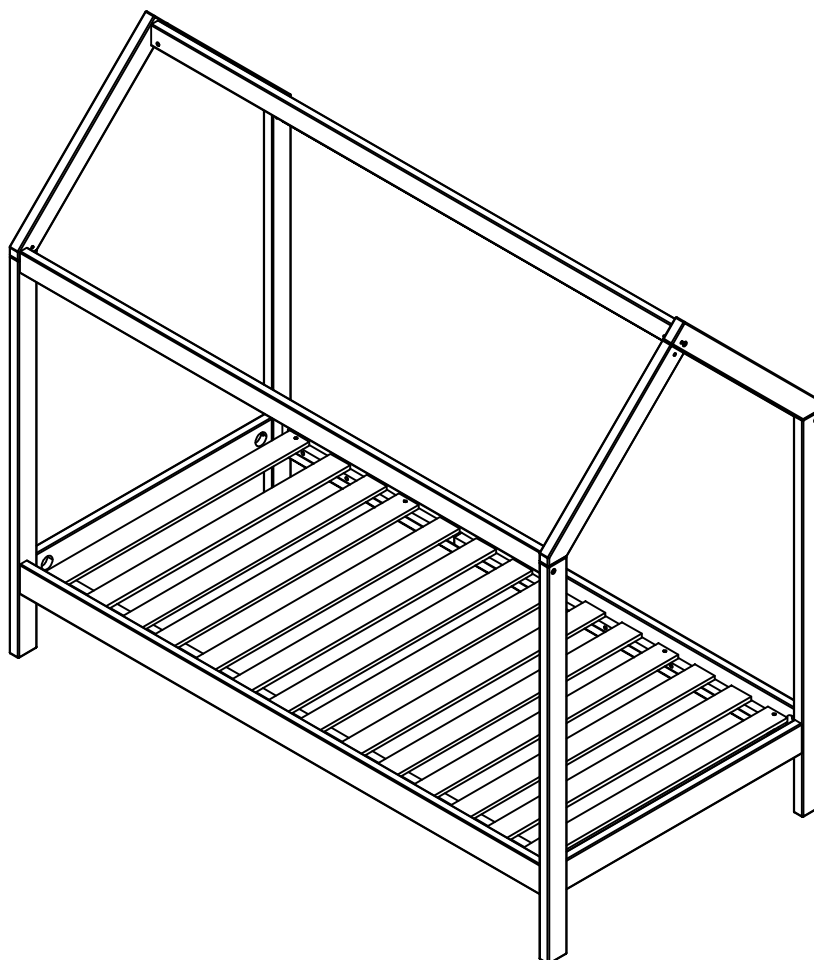


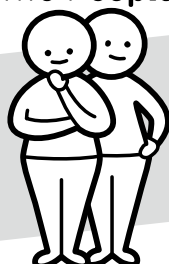


**Fantastic  
Furniture**

Version 1.0



**Two People**



**Required**

**House**

**Bed Single**

[fantasticfurniture.com.au](http://fantasticfurniture.com.au)

# Looks like you've found your Fantastic!

We're thrilled you've chosen Fantastic Furniture  
to help create a home you'll love!



## Fantastic Furniture

### Love it? Share it!

Fantastic buy! Share how it looks at home on Instagram for  
your chance to win a \$250 Fantastic Furniture Gift Card!

**@fantasticfurniture**

# Assembly checklist



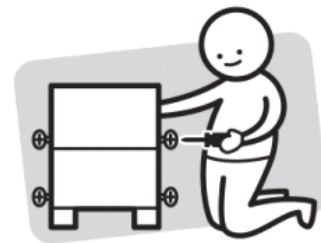
Read through the instructions carefully before you begin.



Make sure you have all the required tools. Never use power tools unless instructed.



Identify and lay out all of the components before you begin assembly.



Unless instructed, do not fully tighten screws until the item is fully assembled.

## Useful Information

- ! Never use power tools unless specifically instructed. They can damage your components or hardware if used incorrectly.
- ! The most common mistakes made during assembly are using the wrong hardware or getting components back to front.
- ! Always use a soft surface (such as carpet or cardboard) when assembling your product to avoid scratching or damaging the surface of the product.
- ! Bulky items such as wardrobes and bunk bed should be assembled in the room they will be used as they may not fit through a door once assembled.
- ! Never use any glue until you are certain that the parts belong together.
- ! Periodically check and re-tighten all fasteners. Check the product care label or website for product care instructions.
- ! If you are having any difficulties assembling your product, missing any hardware or components please visit our website Help Centre for further assistance.
- ! Please see page 2 for any safety requirements or weight restrictions.

# What you need

To assemble the product



DO NOT USE



## Other tools you need:

Phillips head screwdriver

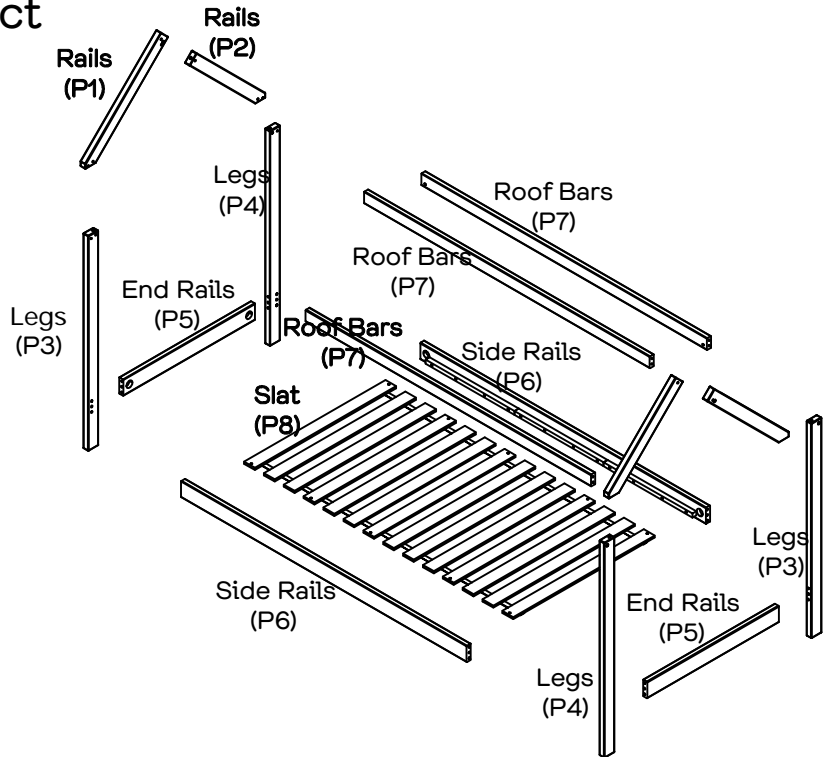
## Parts list:

Box 1:

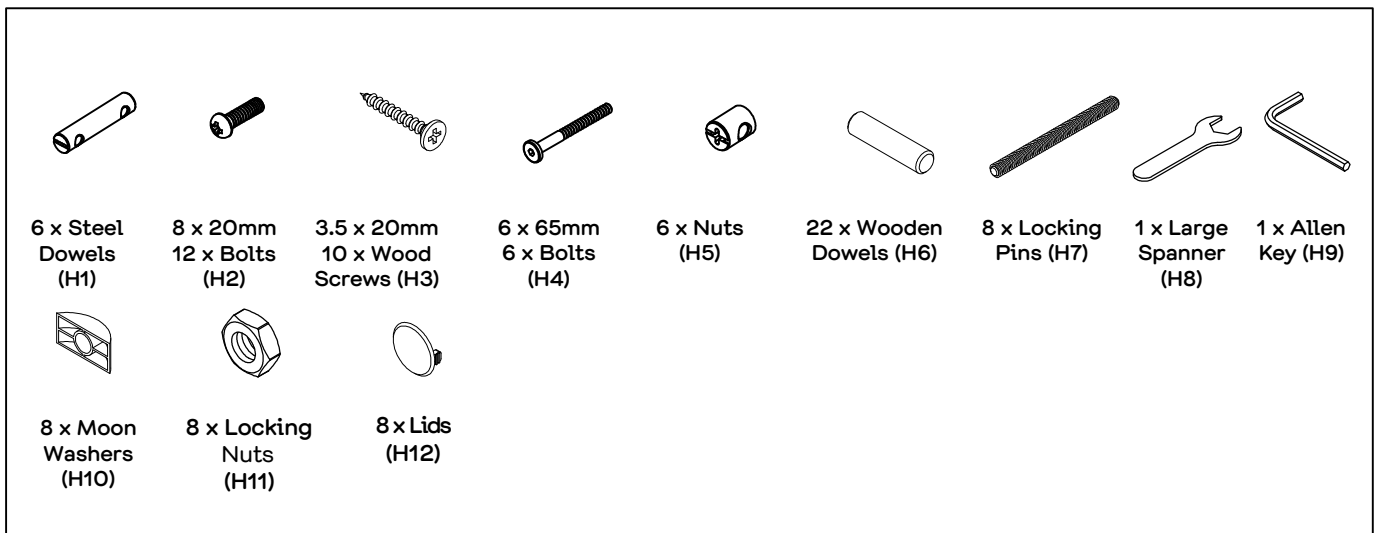
2 x Legs (P3),  
2 x Legs (P4),  
Slat (P8),

Box 2:




2 x Rails (P1),  
2 x Rails (P2),  
2 x End Rails (P5),  
2 x Side Rails (P6),  
3 x Roof Bars (P7)



## Hardware pack

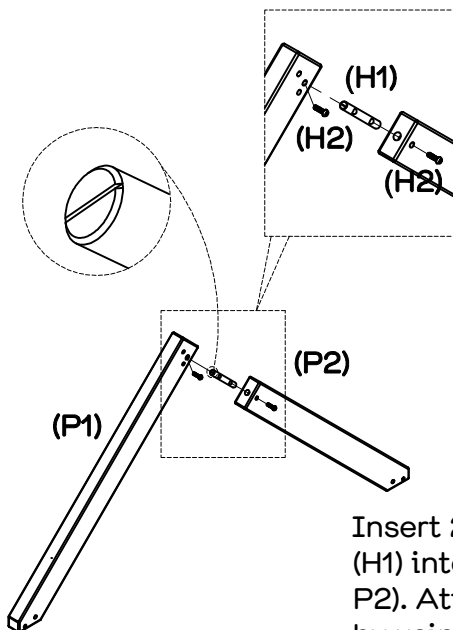


# Step 1

You will need:		
		
2 x Steel Dowels (H1)	4 x Bolts (H2)	screwdriver


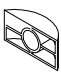


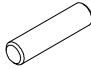

Fixing Kit: How to screw steel dowel?

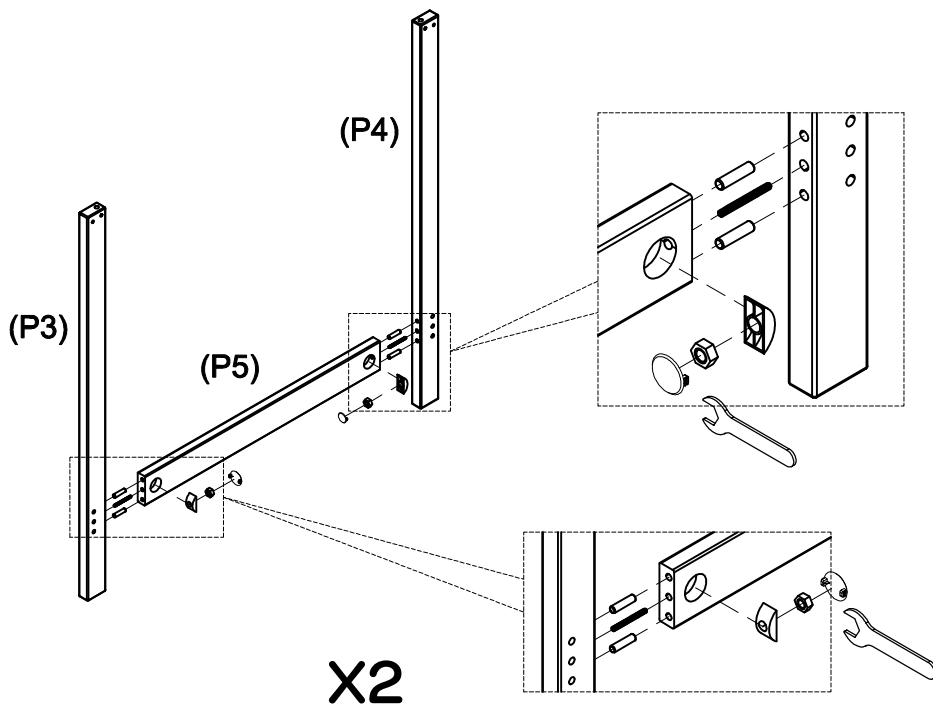
Make sure the opening of steel dowels face incoming bolt. Screw one bolt into dowel, keep it loose, then screw another bolt. Screw both sides until tight.



Insert 2 x Steel Dowels (H1) into the Rails (P1 and P2). Attach 4 x Bolts (H2) by using a Phillips head screwdriver.




# Step 2

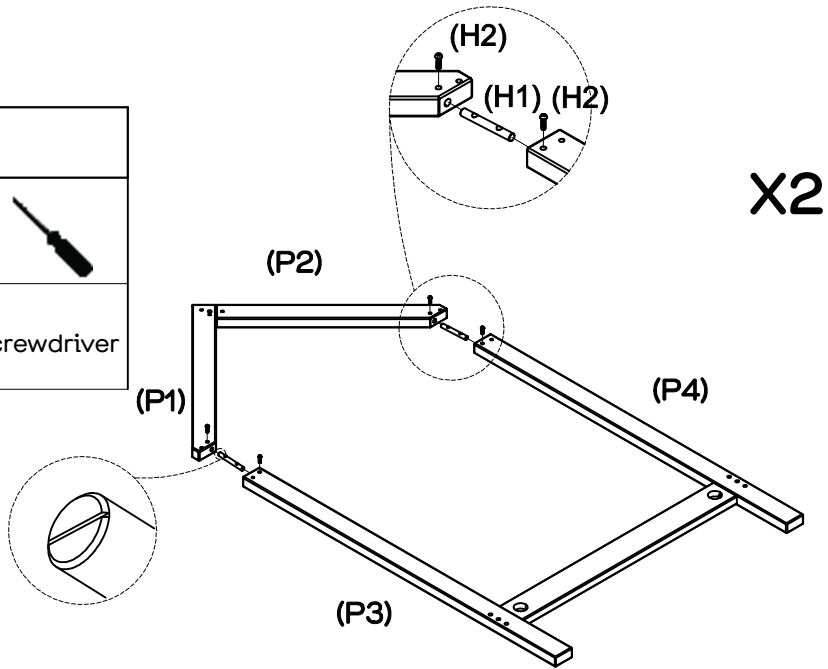
You will need:	
4 x Locking Pins (H7)	
4 x Moon Washers (H10)	
4 x Locking Nuts (H11)	
1 x Large Spanner (H8)	
8 x Wooden Dowels (H6)	
4 x Locking Lids (H12)	



Insert 4 x Wooden Dowels (H6) and 2 x Locking Pin (H7) to Legs (P3, P4). Attach End Rail (P5) to legs (P3, P4) by using 2 x Moon Washers (H10) and 2 x Locking Nuts (H11), tightening by Large Spanner (H8). Put 4 x Lids (H12) on opening hole.

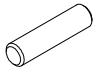
# Step 3

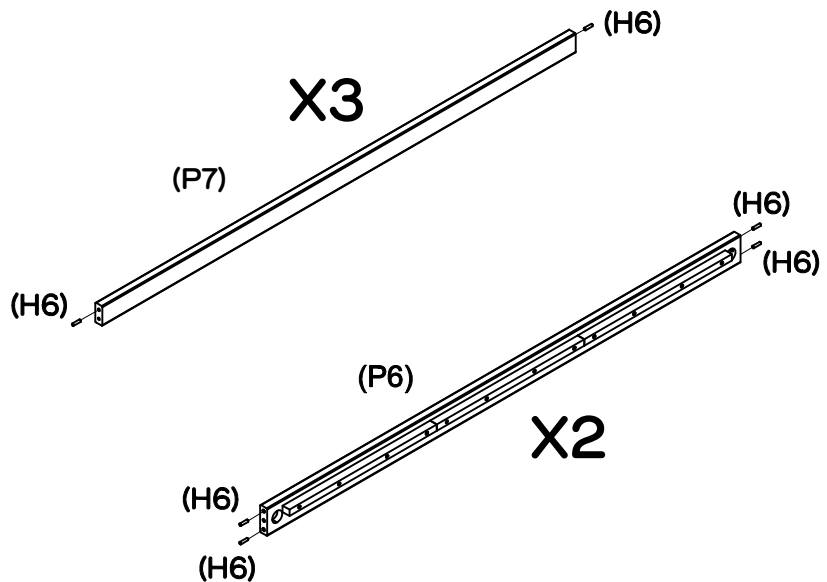
You will need:		
		
2 x Steel Dowels (H1)	4 x Bolts (H2)	Screwdriver



Insert 2 x Steel Dowels (H1) into the Legs and Rails (P1 and P3; P2 and P4).  
Attach 4 x Bolts (H2) by using a Phillips head screwdriver.

# Step 4

You will need:	
14 x Wooden Dowels (H6)	



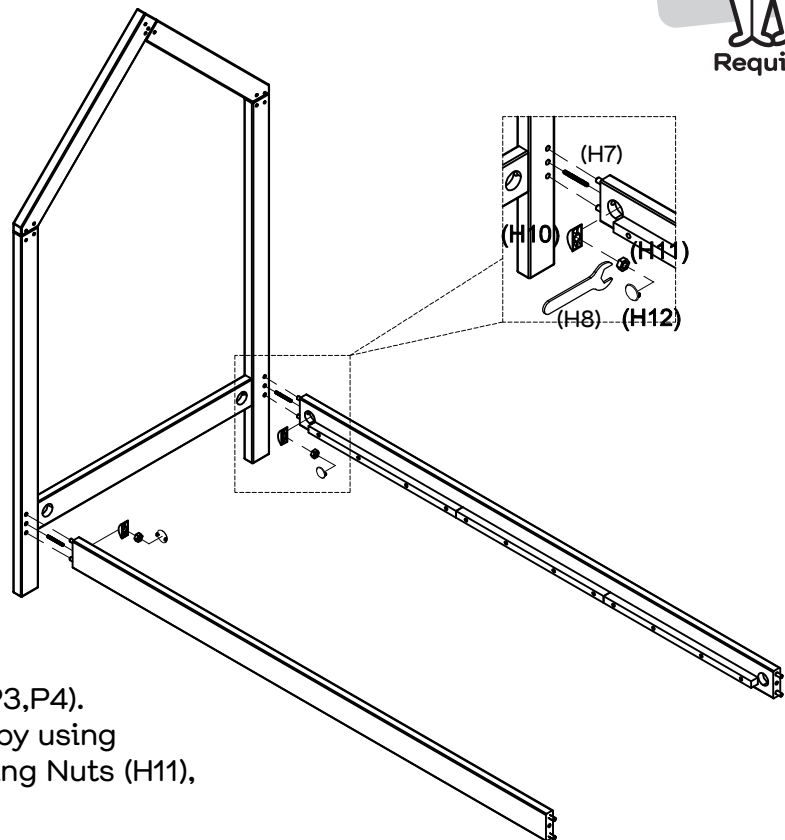
Insert 2 x Wooden Dowels (H6) into each roof bar (P7).  
Insert 4 x Wooden Dowels (H6) into each Side Rail (P6).



Required

## Step 5

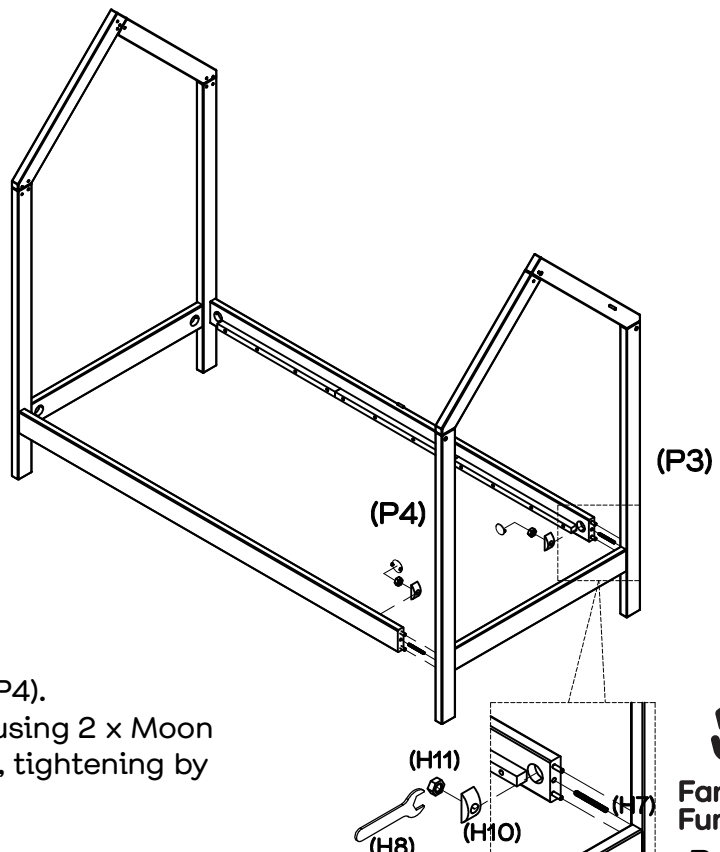
You will need:		
2 x Locking Pins (H7)	2 x Moon Washers (H10)	2 x Locking Nuts (H11)



Screw 2 x Locking Pins (H7) to Legs (P3,P4).  
Attach Side Rail (P6) to Legs (P3, P4) by using 2 x Moon Washers (H10) and 2 x Locking Nuts (H11), tightening by Large Spanner (H8).

## Step 6



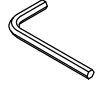
You will need:		
2 x Locking Pins (H7)	2 x Moon Washers (H10)	2 x Locking Nuts (H11)



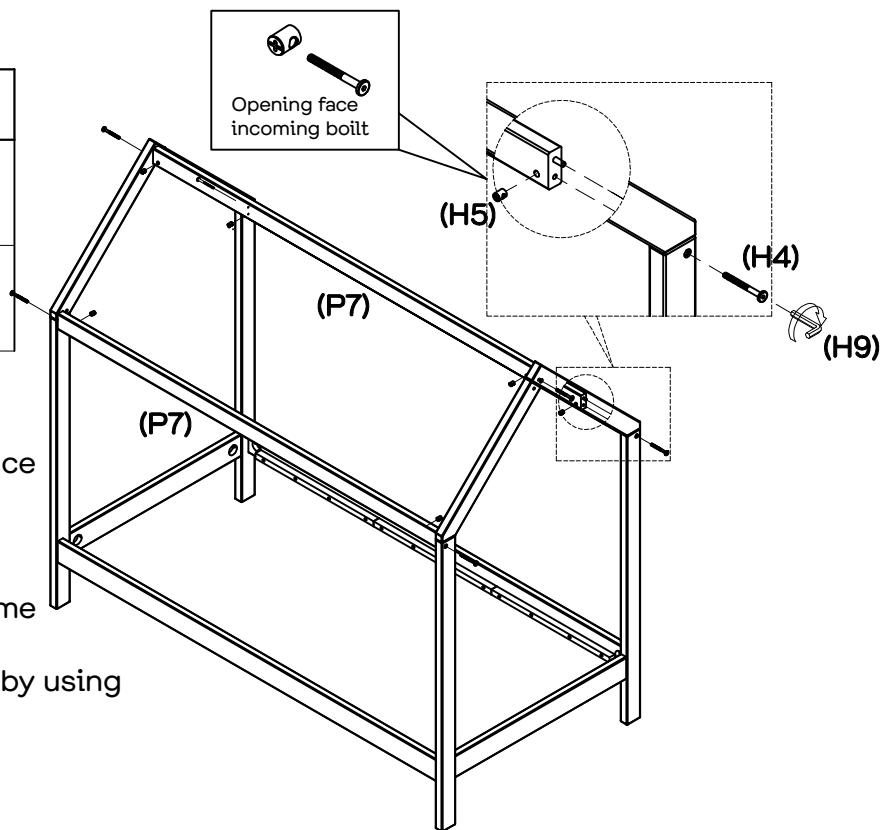
Screw 2 x Locking Pins (H7) to Legs (P3, P4).  
Attach Side Rail (P6) to Legs (P3, P4) by using 2 x Moon Washers (H10) and 2 x Locking Nuts (H11), tightening by Large Spanner (H8).






# Step 7

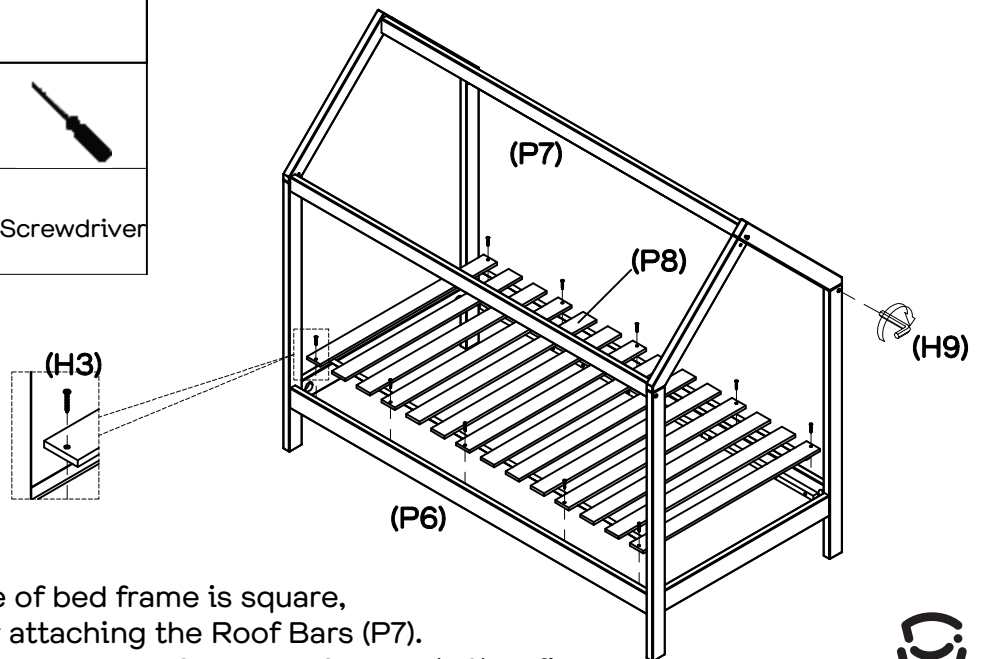
You will need:		
		
6 x Bolts (H4)	6 x Nuts (H5)	1 x Allen Key (H9)

Insert each 2 x Nuts (H5) into holes of Roof Bars (P7). Make sure the opening of nuts face incoming bolts. Using Bolts (H4) go through leg frame. Attach Roof Bars (P7) to Leg Frame one by one. Tighten Bolts (H4) at 70 percent by using Allen Key (H9). Don't fully tighten until Step 8.



# Step 8

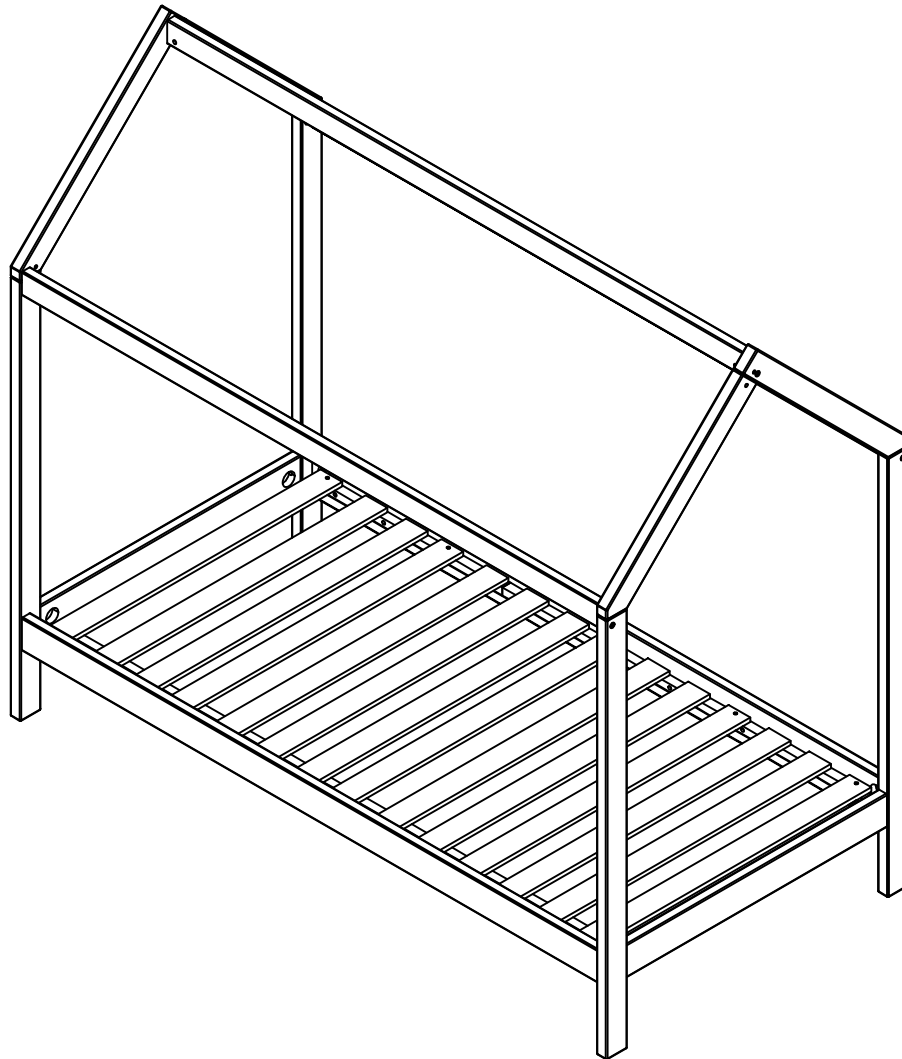
You will need:		
		
10 x Wood Screws (H3)	4 x Lids (H12)	Screwdriver



Make sure the inner space of bed frame is square, fully tighten Bolts (H4) for attaching the Roof Bars (P7). Put the Slats (P6) on slat holder, use 10 x Wood Screws (H3) to fix the slats tightening with a screwdriver. Put 4 x Lids (H12) on opening holes of side rails.



## Step 9



## Job Complete!

In the interest of our environment please  
dispose of all packing thoughtfully.