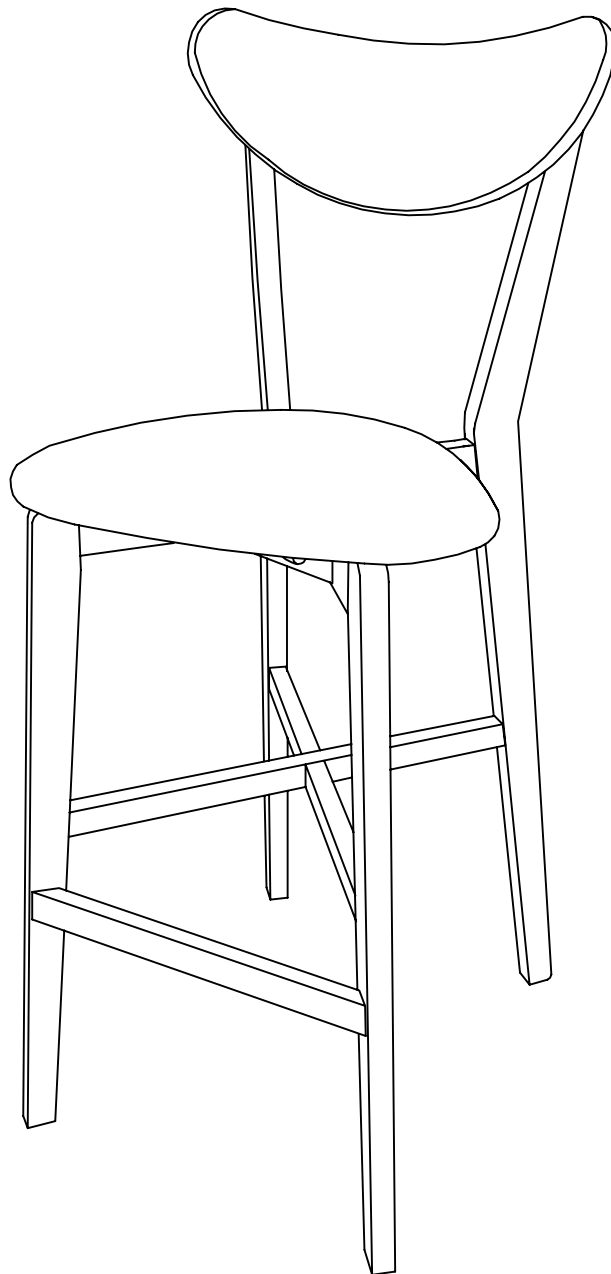




Version 1.1



# TOTO

BAR STOOL  
1 SEATER

[www.fantasticfurniture.com.au](http://www.fantasticfurniture.com.au)

Enjoy  
Your purchase from  
Australia's Best Value furniture



**CAUTION**

Do not stand on, or use this chair as a step ladder.

Use this product for seating one person at a time.

This product should be checked periodically to  
ensure all components are secure and all  
hardware is tight.

**RECOMMENDED WEIGHT CAPACITY 120 KG**



# Assembly checklist



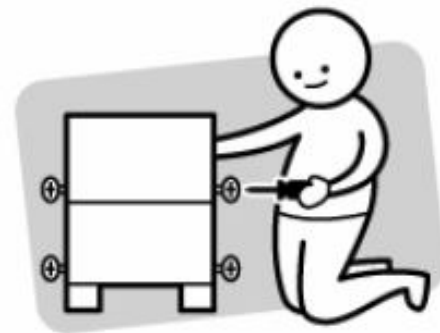
Read through the instructions carefully before you begin.



Make sure you have all the required tools. Never use power tools unless instructed.



Identify and lay out all the components before you begin assembly.



Unless instructed, do not fully tighten screws until the item is fully assembled.

## Useful Information

! Never use power tools unless specifically instructed. They can damage your components or hardware if used incorrectly.

! The most common mistakes made during assembly are using the wrong hardware or getting components back to front.

! Always use a soft surface (such as carpet or cardboard) when assembling your product to avoid scratching or damaging the surface of the product.

! Bulky items such as wardrobes and bunk beds should be assembled in the room they will be used in as they may not fit through a door once assembled.

! Never use any glue until you are certain that the parts belong together.

! Periodically check and re-tighten all fasteners. Check the product care label or website for product care instructions.

! If you are having any difficulties assembling your product, missing any hardware or components please visit our website Help Centre for further assistance.

# What you need to assemble the product

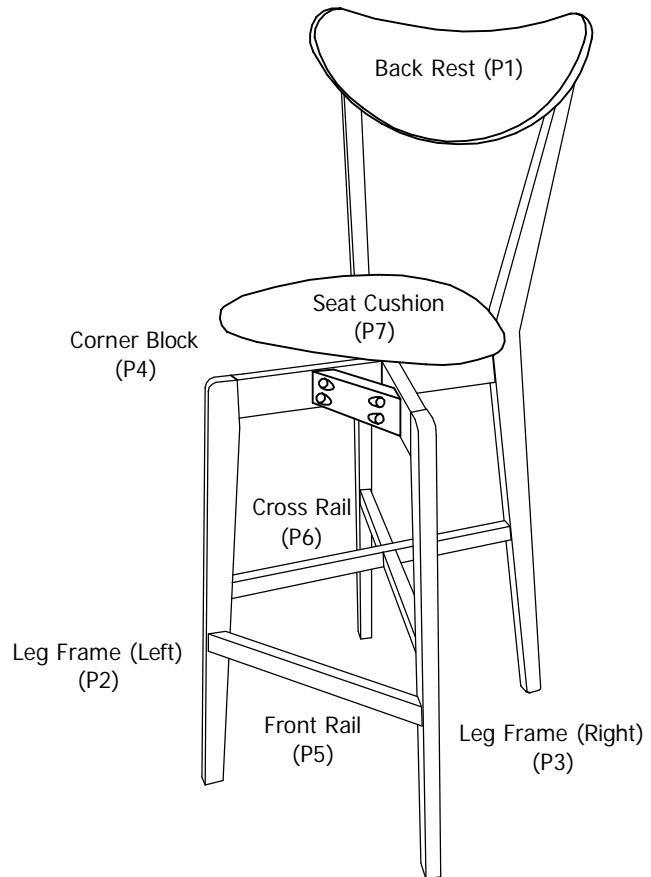


DO NOT USE

Additional Tools Required :  
Phillips Head Screwdriver

## Part list

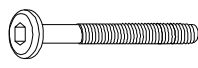
Back Rest (P1);  
Leg Frame (Left) (P2);  
Leg Frame (Right) (P3);  
Corner Block (P4);  
Front Rail (P5); Cross Rail (P6);  
Seat Cushion (P7);



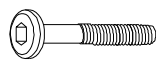
## Box 1 Hardware Pack.



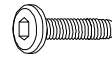
1 x Allen Key  
(H1)



4 x 60mm Bolt (H2)



2 x 50mm Bolt  
(H3)



4 x 35mm Bolt  
(H4)



4 x 25mm Bolt  
(H5)



1 x Short Wood Bolt  
(H6)



2 x Screw  
(H7)



1 x Long Wood Bolt  
(H8)



10 x Spring Washer  
(H9)

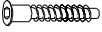



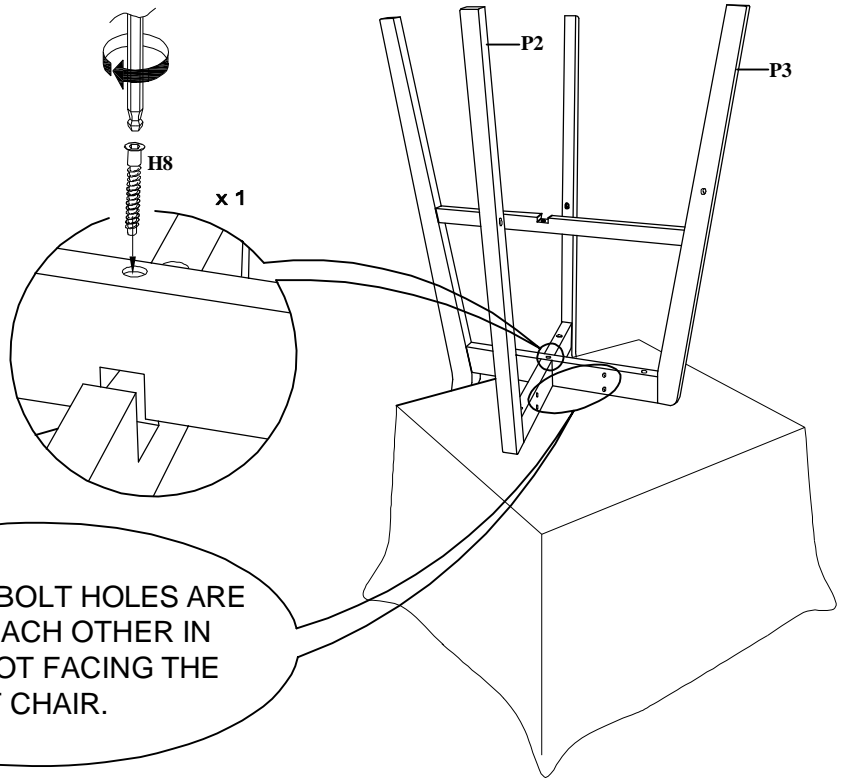
10 x Flat Washer  
(H10)



4 x Wood Button  
(H11)

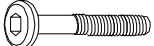



# Step 1

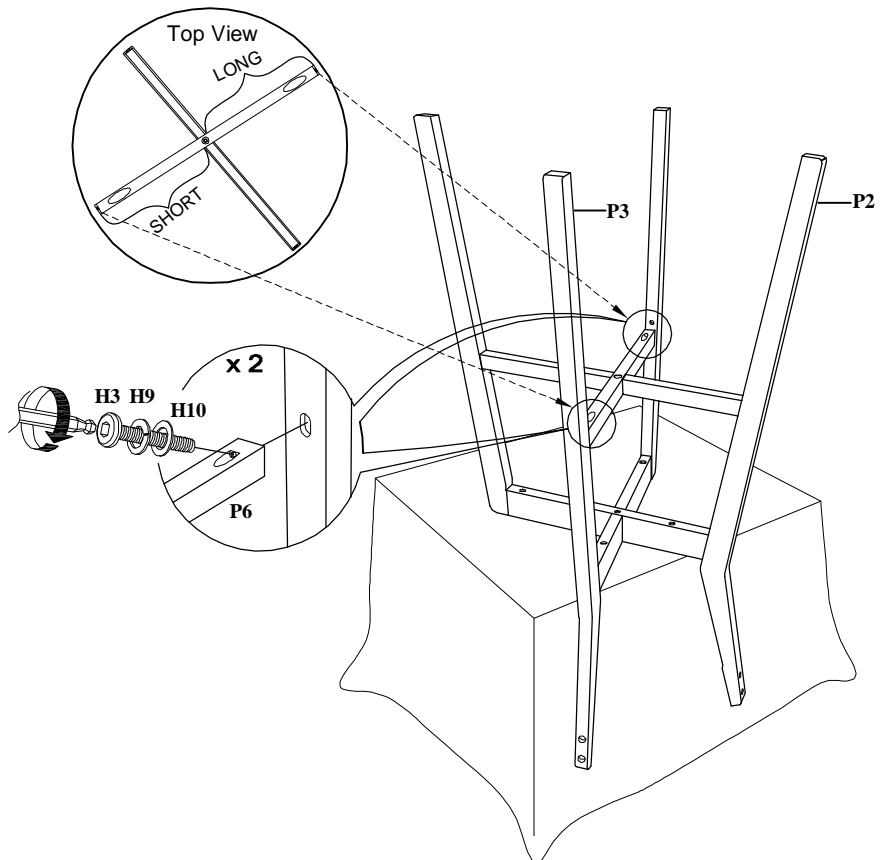
You will need	
	
1 x Long Wood Bolt (H8)	1 x Allen Key (H1)



Attach Leg Frame (Right) (P3) to Leg Frame (Left) (P2) using 1 x Long Wood Bolt (H8).  
DO NOT FULLY TIGHTEN ANY BOLTS OR SCREWS UNTIL STEP 8.

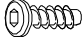

# Step 2

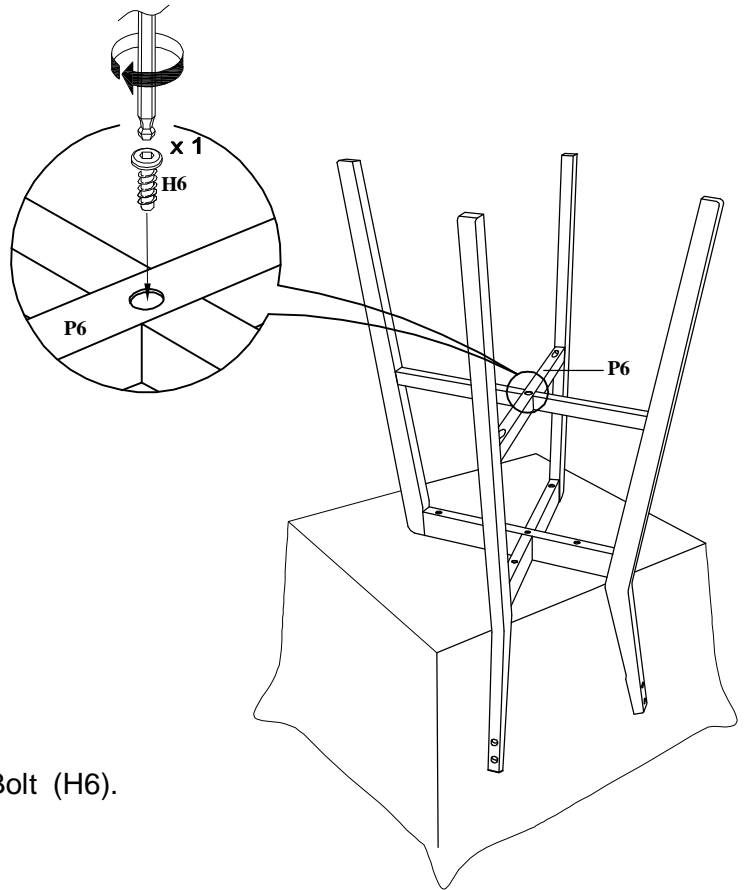
You will need	
	
2 x 50mm Bolt (H3)	1 x Allen Key (H1)
	
2 x Spring Washer (H9)	2 x Flat Washer (H10)



Attach Cross Rail (P6) to Leg Frame (Right) (P3) using 2 x 50mm Bolt (H3),  
2 x Spring Washer (H9) and 2 x Flat Washer (H10).



# Step 3

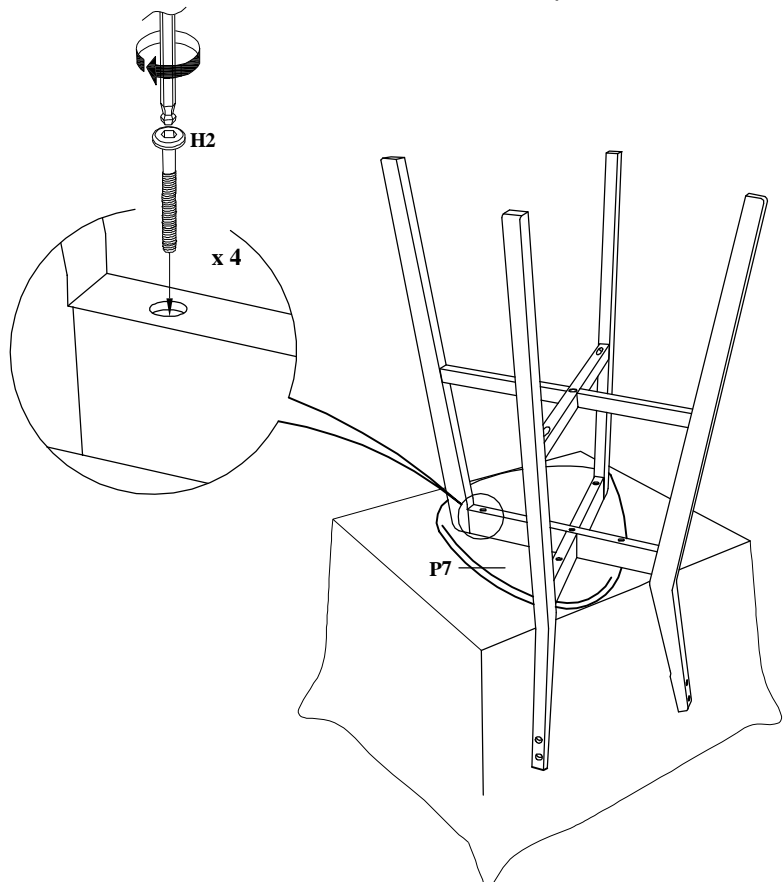
You will need	
	
1 x Short Wood Bolt (H6)	1 x Allen Key (H1)



Secure Cross Rail (P6) using 1 x Short Wood Bolt (H6).





# Step 4

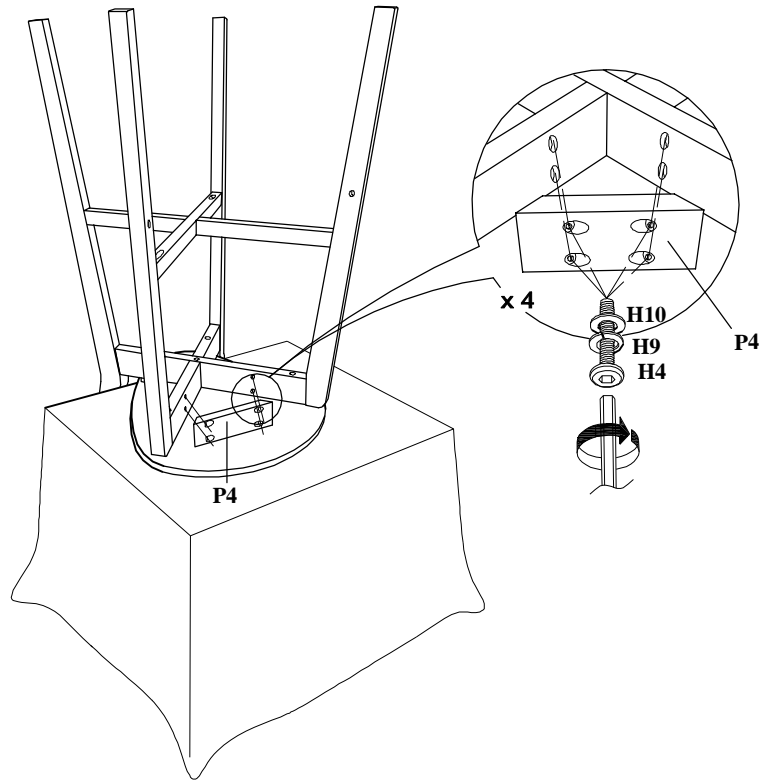
You will need	
	
4 x 60mm Bolt (H2)	1 x Allen Key (H1)



Attach Seat Cushion (P7) to Leg Frame (Right and Left) (P3 & P2) using 4 x 60mm Bolt (H2).


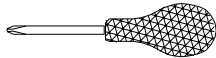
# Step 5

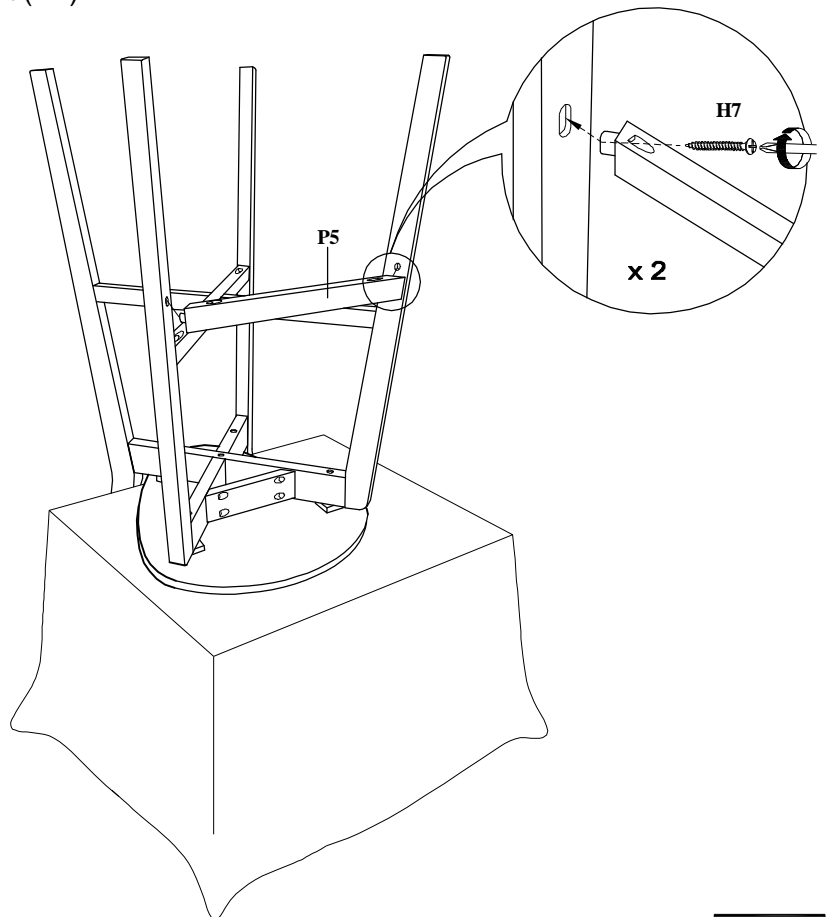
You will need	
	
4 x 35mm Bolt (H4)	1 x Allen Key (H1)
	
4 x Spring Washer (H9)	4 x Flat Washer (H10)



Attach Corner Block (P4) to Leg Frame (P2) & (P3) using 4 x Spring Washer (H9) , 4 x Flat Washer (H10) and 4 x 35mm Bolt (H4).





# Step 6

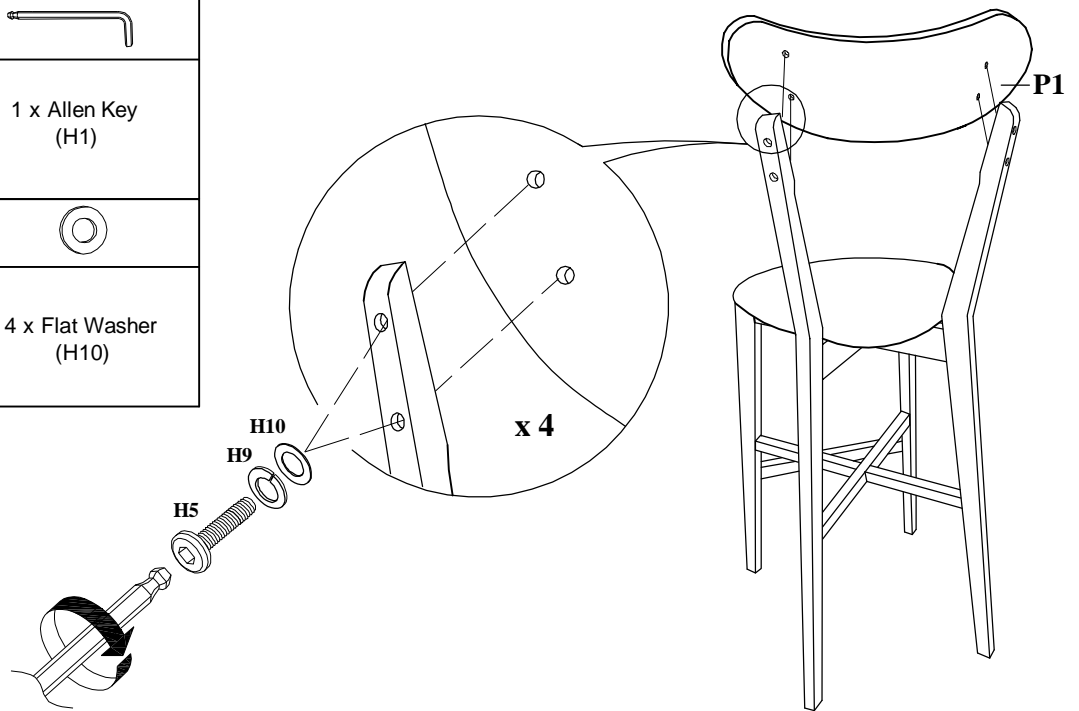
You will need	
	
2 x Screw (H7)	Phillips Head Screwdriver



Attach Front Rail (P5) to Leg Frame (P2) & (P3) with 2 x Screw (H7), using a Phillips Head Screwdriver.


# Step 7

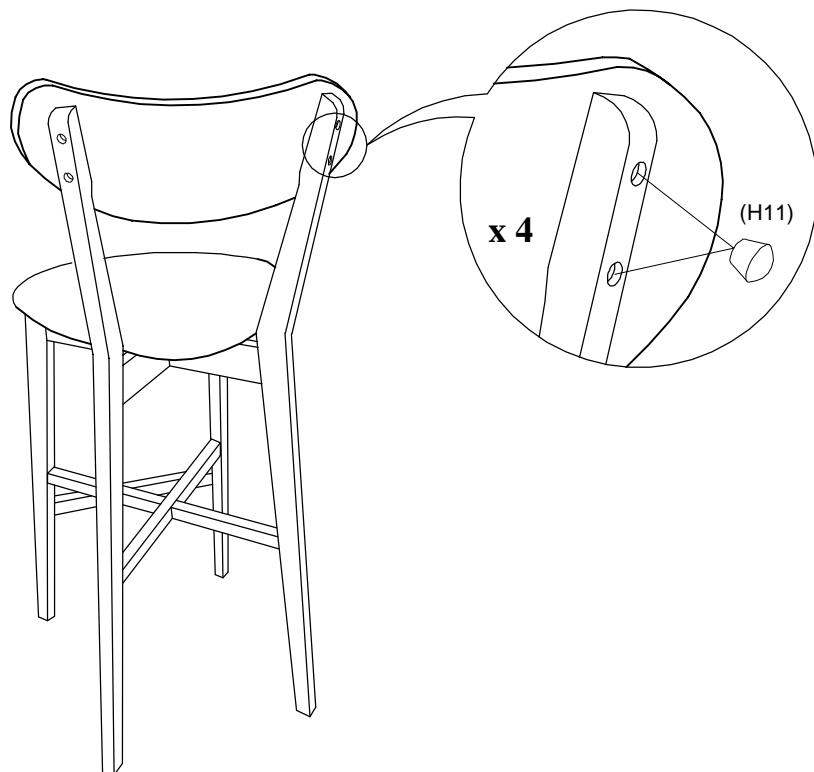
You will need	
	
4 x 25mm Bolt (H5)	1 x Allen Key (H1)
	
4 x Spring Washer (H9)	4 x Flat Washer (H10)



Attach Back Rest (P1) to Leg Frame (P2) & (P3) using 4 x Flat Washer (H10), 4 x Spring Washer (H9), and 4 x 25mm Bolt (H5).

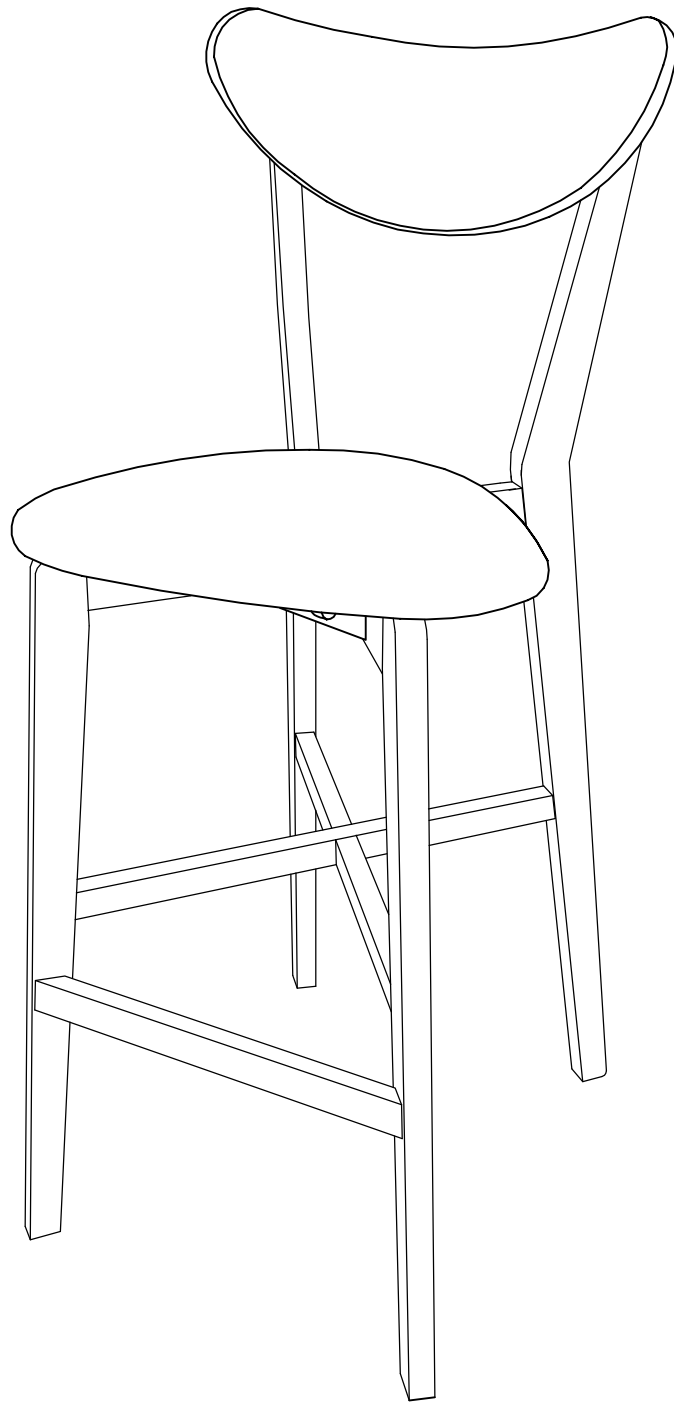
# Step 8

You will need

4 x Wood Button (H11)



Place chair on a flat surface and press the seat to level the legs. Tighten all screws & bolts. Attach 4 x Wood Button (H11) to Leg Frame (P2) & (P3) by pushing into holes firmly.





# Job Complete!

In the interest of our environment please dispose of all packaging thoughtfully.