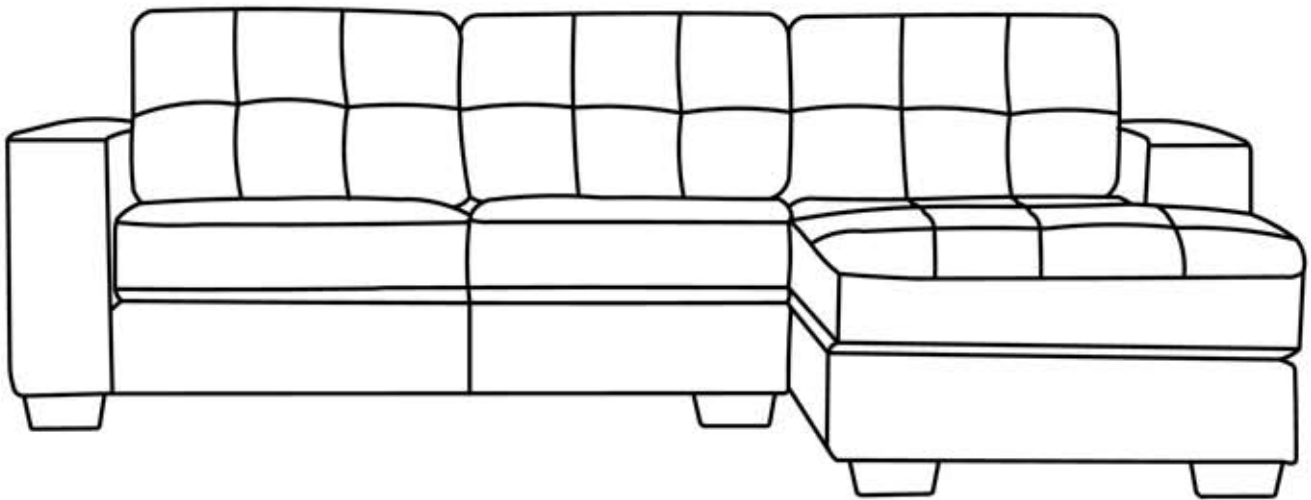




**Fantastic
Furniture**

Version 1.0



Tivoli

Chaise 3 Seater

Two People



Required

fantasticfurniture.com.au

Looks like you've found your Fantastic!

We're thrilled you've chosen Fantastic Furniture
to help create a home you'll love!



Fantastic Furniture

Love it ? Share it !

Fantastic buy! Share how it looks at home on Instagram for
your chance to win a \$250 Fantastic Furniture Gift Card!

@fantasticfurniture

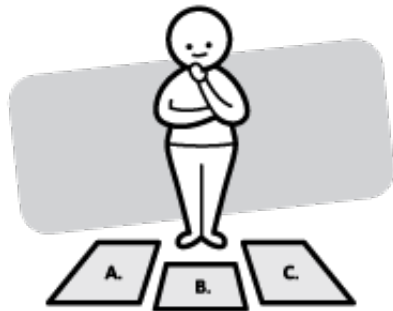
Assembly checklist



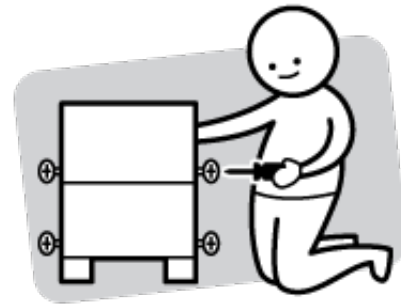
Read through the instructions carefully before you begin.



Make sure you have all the required tools. Never use power tools unless instructed.



Identify and lay out all of the components before you begin assembly.



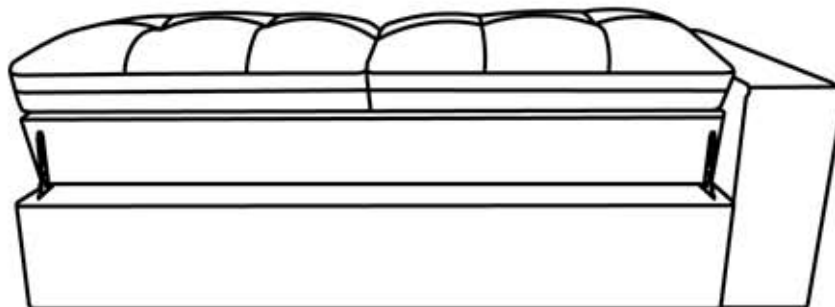
Unless instructed, do not fully tighten screws until the item is fully assembled.

Useful information

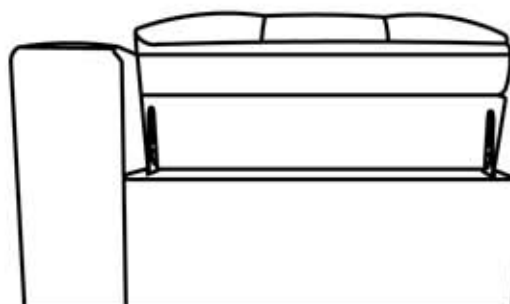
- ! Never use power tools unless specifically instructed. They can damage your components or hardware if used incorrectly.
- ! The most common mistakes made during assembly are using the wrong hardware or getting components back to front.
- ! Always use a soft surface (such as carpet or cardboard) when assembling your product to avoid scratching or damaging the surface of the product.
- ! Bulky items such as wardrobes and bunk beds should be assembled in the room they will be used in as they may not fit through a door once assembled.
- ! Never use any glue until you are certain that the parts belong together.
- ! Periodically check and re-tighten all fasteners. Check the product care label or website for product care instructions.
- ! If you are having any difficulties assembling your product, missing any hardware or components please visit our website Help Centre for the further assistance.

What you need

to assemble the product



Tivoli Chaise 3 Seater 1 of 2



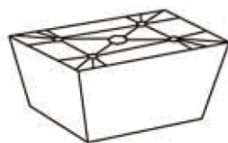
Tivoli Chaise 3 Seater 2 of 2

Parts list

Box 1: Tivoli Chaise 3 Seater 1 of 2

Box 2: Tivoli Chaise 3 Seater 2 of 2

Hardware pack



9 x Legs
(H1)



9 x Bolts
(H2)



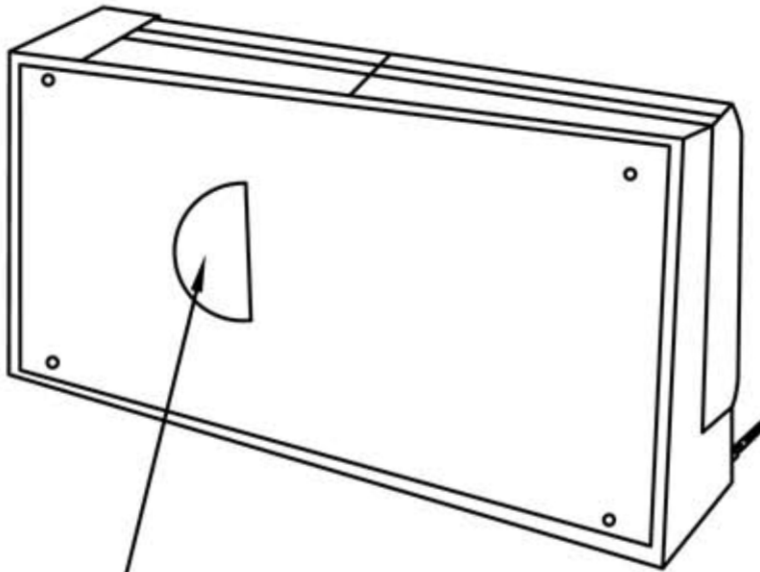
9 x Washers
(H3)



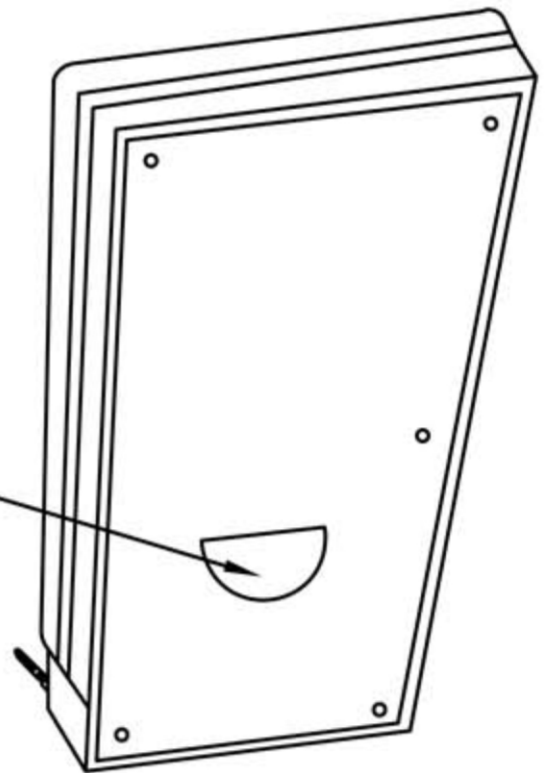
2 x Allen Keys
(H4)

Step 1

Tivoli Chaise 3 Seater 1 of 2






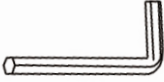
Note:
Here is the hardware.

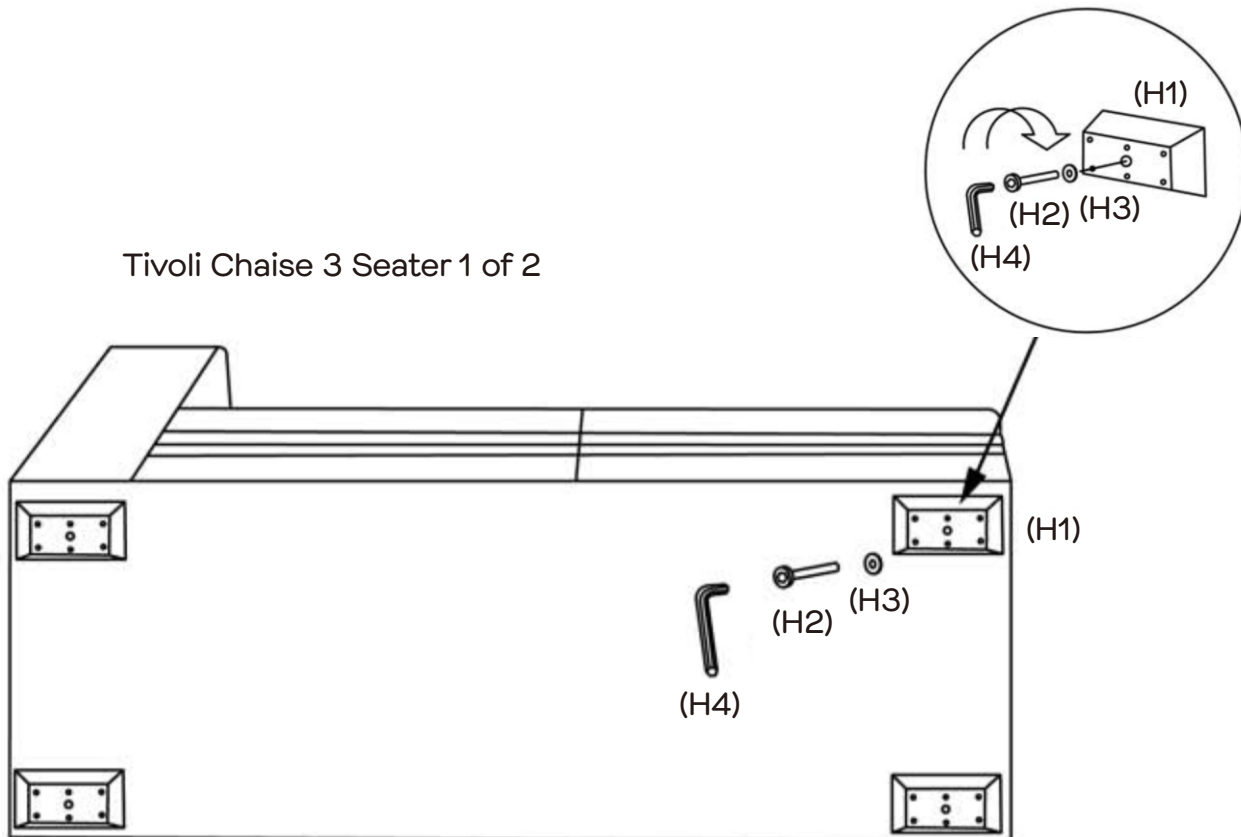


Tivoli Chaise 3 Seater 2 of 2

Place each piece on a flat, clean surface as shown and remove the hardware box from the pocket underneath.





Step 2

You will need:			
4 x Legs (H1)		4 x Bolts (H2)	
4 x Washers (H3)		1 x Allen Key (H4)	

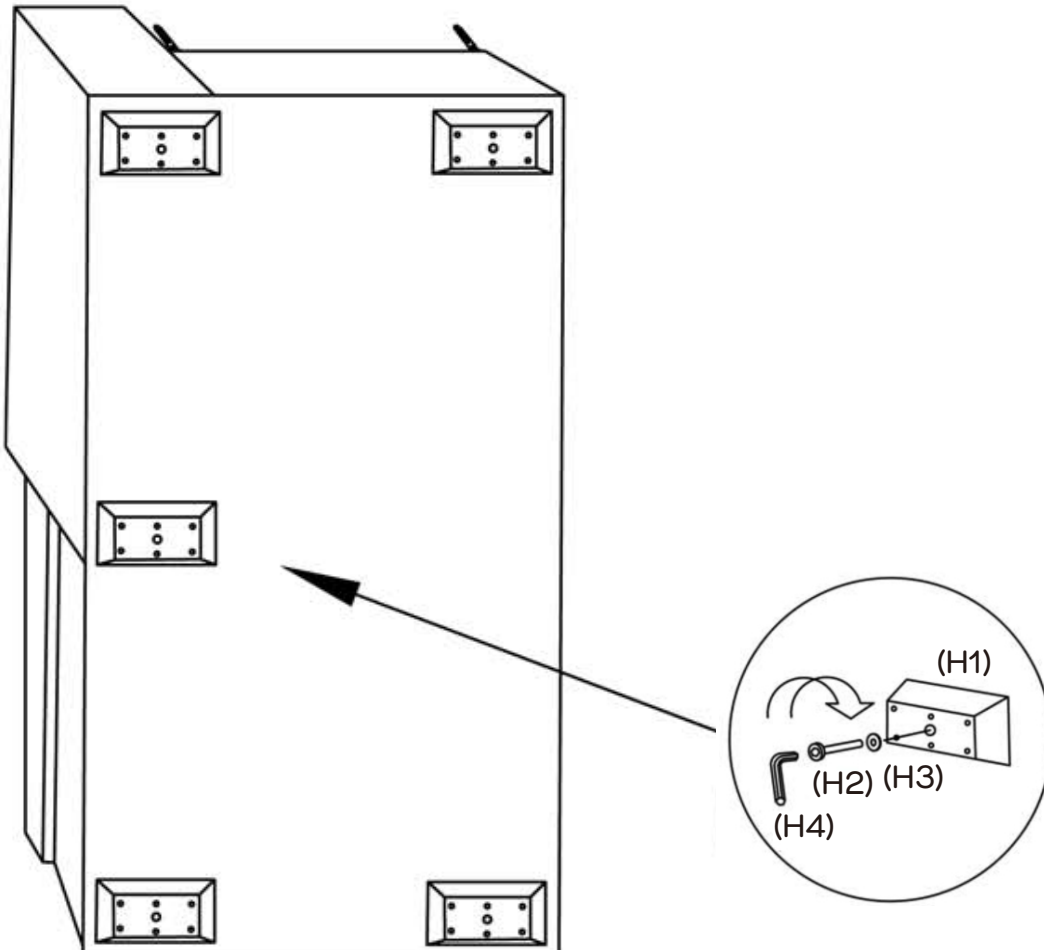


Attach 4 x legs (H1) into position as shown with 4 x bolts (H2) and 4 x washers (H3) using the allen key (H4).

Step 3

You will need:			
5 x Legs (H1)		5 x Bolts (H2)	
5 x Washers (H3)		1 x Allen Key (H4)	

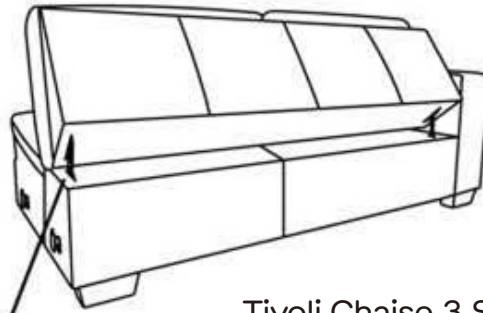
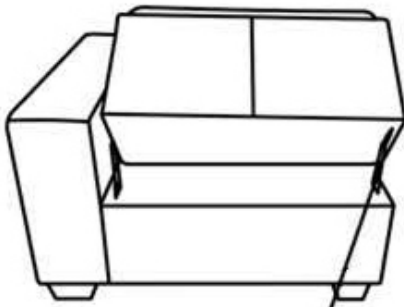
Tivoli Chaise 3 Seater 2 of 2



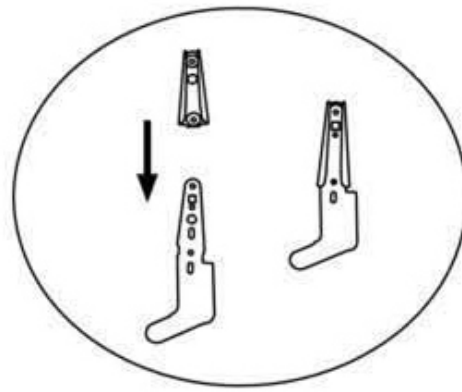
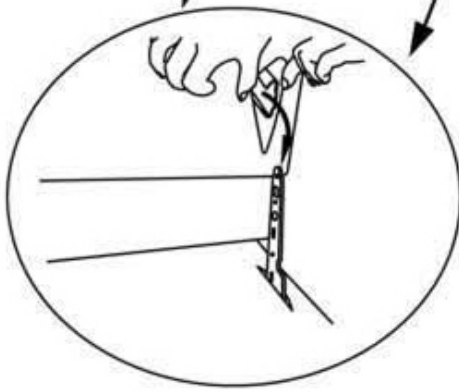
Attach 5 x legs (H1) into position as shown with 5 x bolts (H2) and 5 x washers (H3) using the allen key (H4).

Step 4

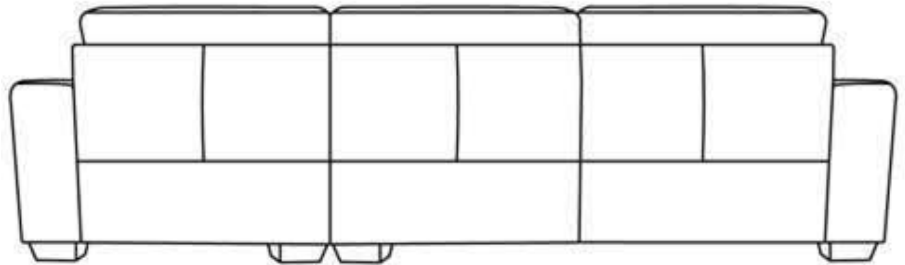
Tivoli Chaise 3 Seater 2 of 2



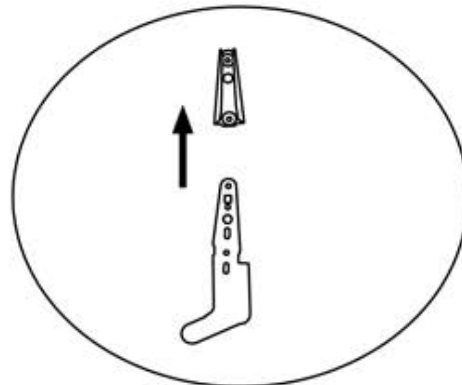
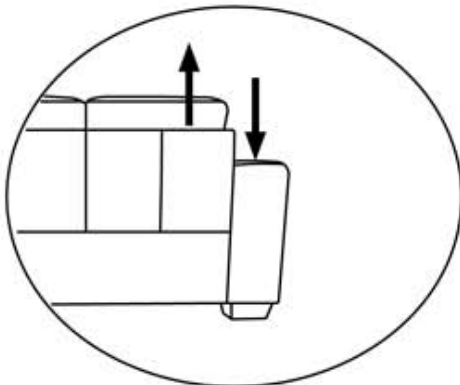
Tivoli Chaise 3 Seater 1 of 2



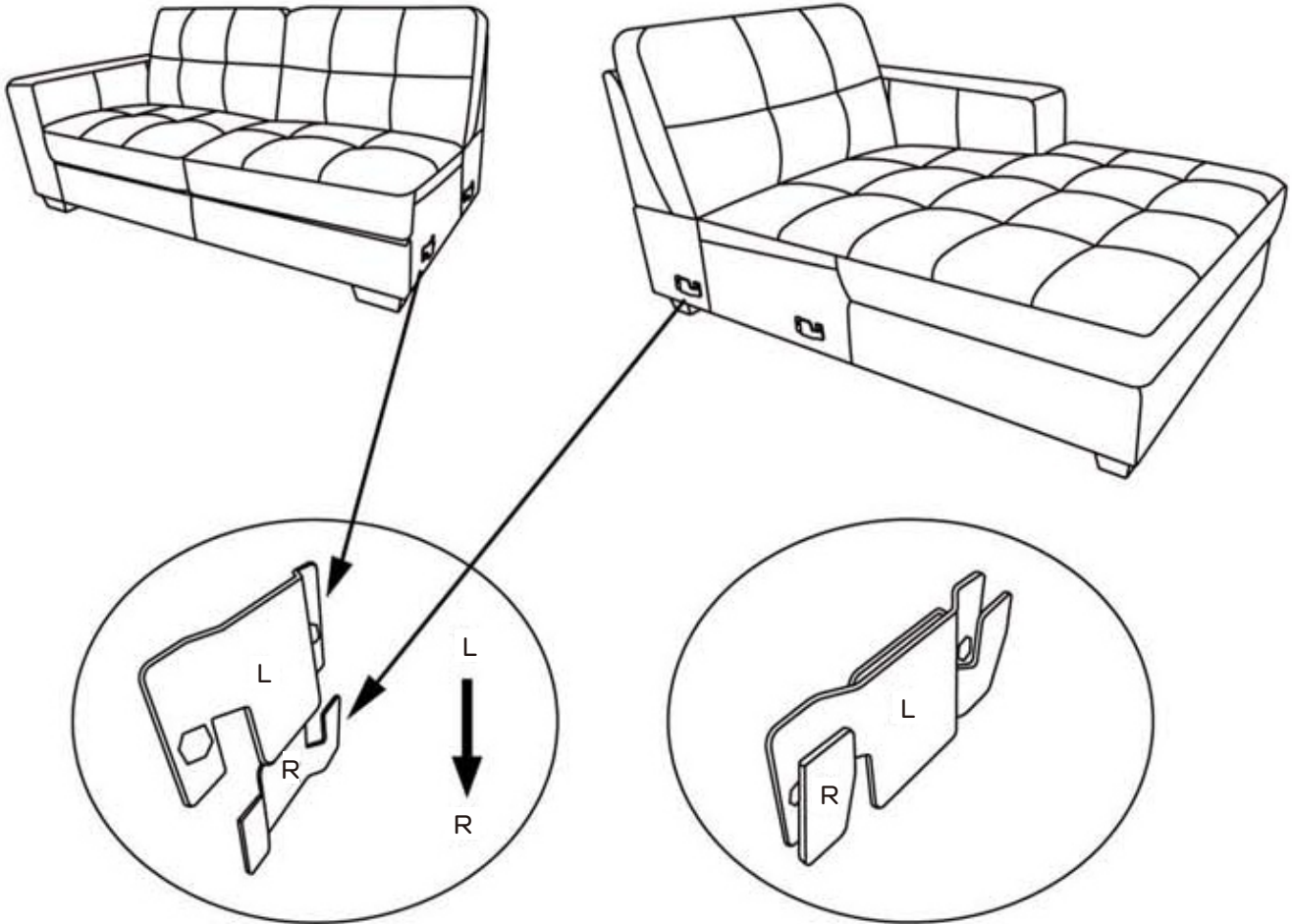
Align the grooves together, and install the back securely. Push the back piece down and listen for the click, ensure the back piece is fully locked into position.



To take the back piece off, push down the arm rests and then carefully pull the back piece up.

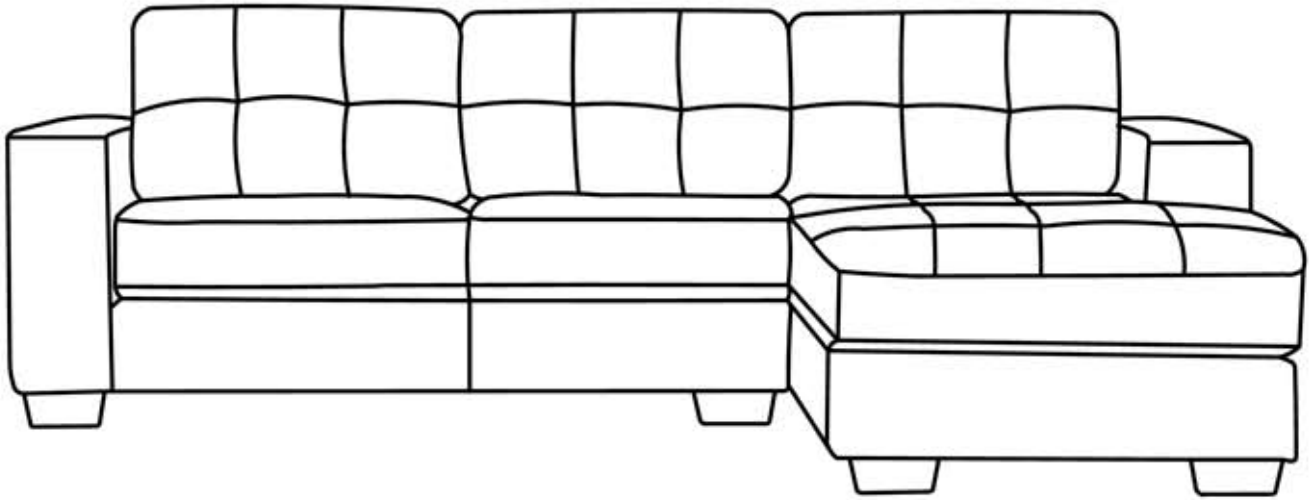


Step 5



Align the clips and join the 2 pieces together.

Step 6



Place your sofa into position.

Job Complete!

In the interest of environment please dispose of all packaging thoughtfully.