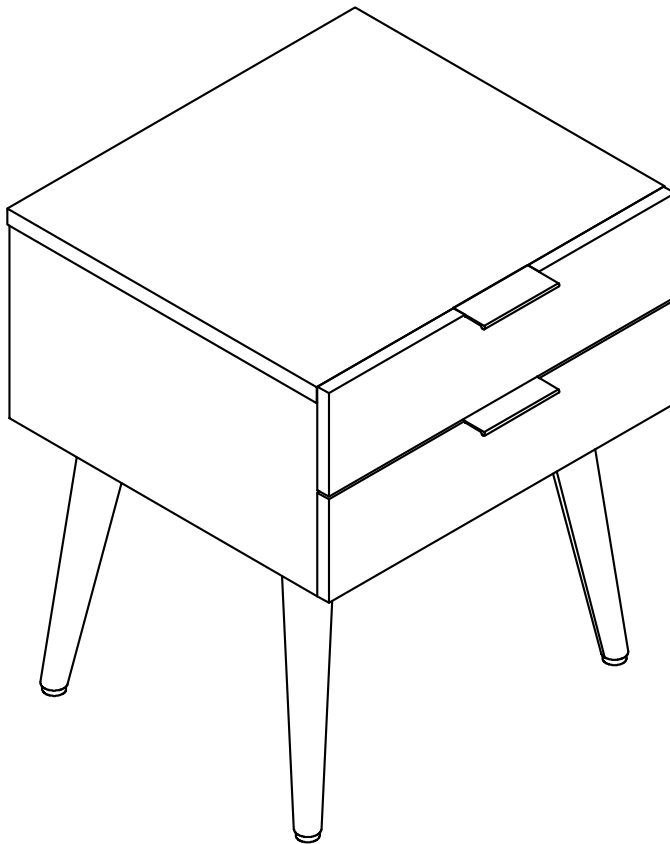
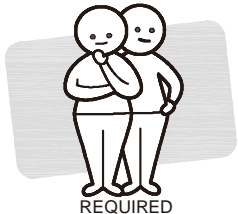




Version 1.0



TWO PEOPLE



REQUIRED

MONACO

Bedside 2 Drawer

www.fantasticfurniture.com.au

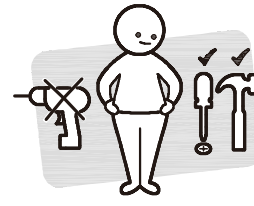
Enjoy
Your purchase from
Australia's Best Value Furniture Store



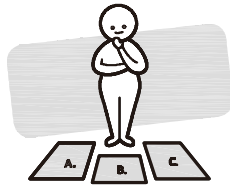
Assembly checklist



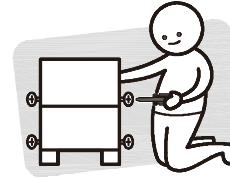
Read through the instructions carefully before you begin.



Make sure you have all the required tools. Never use power tools unless instructed.



Identify and lay out all of the components before you begin assembly.



Unless instructed, do not fully tighten screws until the item is fully assembled.

Useful Information

!Never use power tools unless specifically instructed. They can damage your components or hardware if used incorrectly.

!The most common mistakes made during assembly are using the wrong hardware or getting components back to front.

!Always use a soft surface (such as carpet or cardboard) when assembling your product to avoid scratching or damaging the surface of the product.

!Bulky items such as wardrobes and bunk beds should be assembled in the room they will be used in as they may not fit through a door once assembled.

!Never use any glue until you are certain that the parts belong together.

! Periodically check and re-tighten all fasteners. Check the product care label or website for product care instructions.

!If you are having any difficulties assembling your product, missing any hardware or components please visit our website Help Centre for further assistance.



What you need

to assemble the product

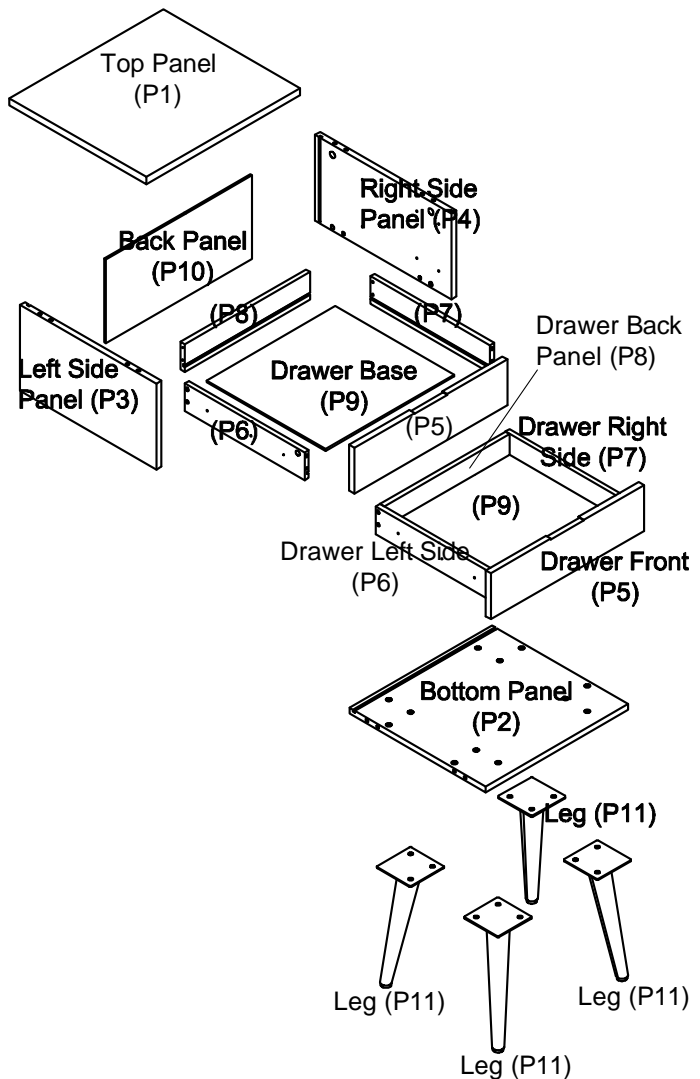


DO NOT USE



Other tools you need

Flat head screwdriver; Phillips head screwdriver; Mallet

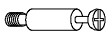



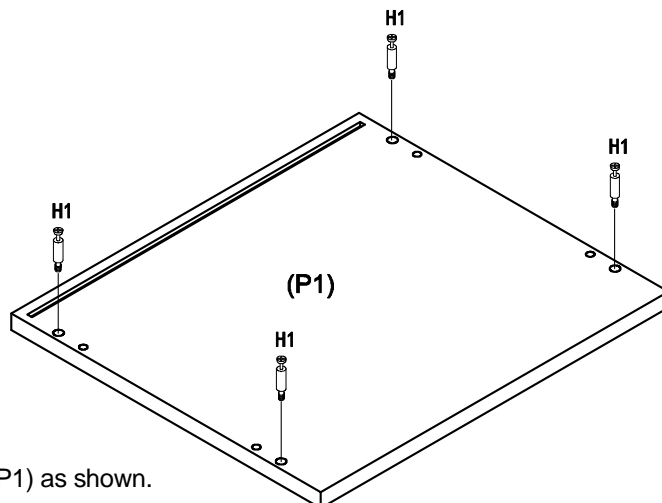
Part list

Box 1: Top Panel (P1); Bottom Panel (P2); Left Side Panel (P3); Right Side Panel (P4); 2x Drawer Front (P5); 2x Drawer Left Side (P6); 2x Drawer Right Side (P7); 2x Drawer Back Panel (P8); 2x Drawer Base (P9); Back Panel (P10); 4x Leg (P11); Hardware.

8 x Big Cam Bolt (H1)	8 x Big Cam Nut (H2)	12 x Bolt (H3)	8 x Big Wood Dowel (H4)	4 x Small Wood Dowel (H5)	8 x Screw Dowel (H6)
12 x Screw (H7)	16x Screw (H8)	4 x Small Cam Nut (H9)	4 x Small Cam Bolt (H10)	2 x Metal Handle (H11)	1 x Allen Key (H12)
4 x Screw (H13)	4 x Back Panel Connector (H14)	4 x Slide (H15)			

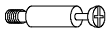


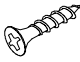


Step 1

You will need	
	
4 x Big Cam Bolt (H1)	Phillips head screwdriver

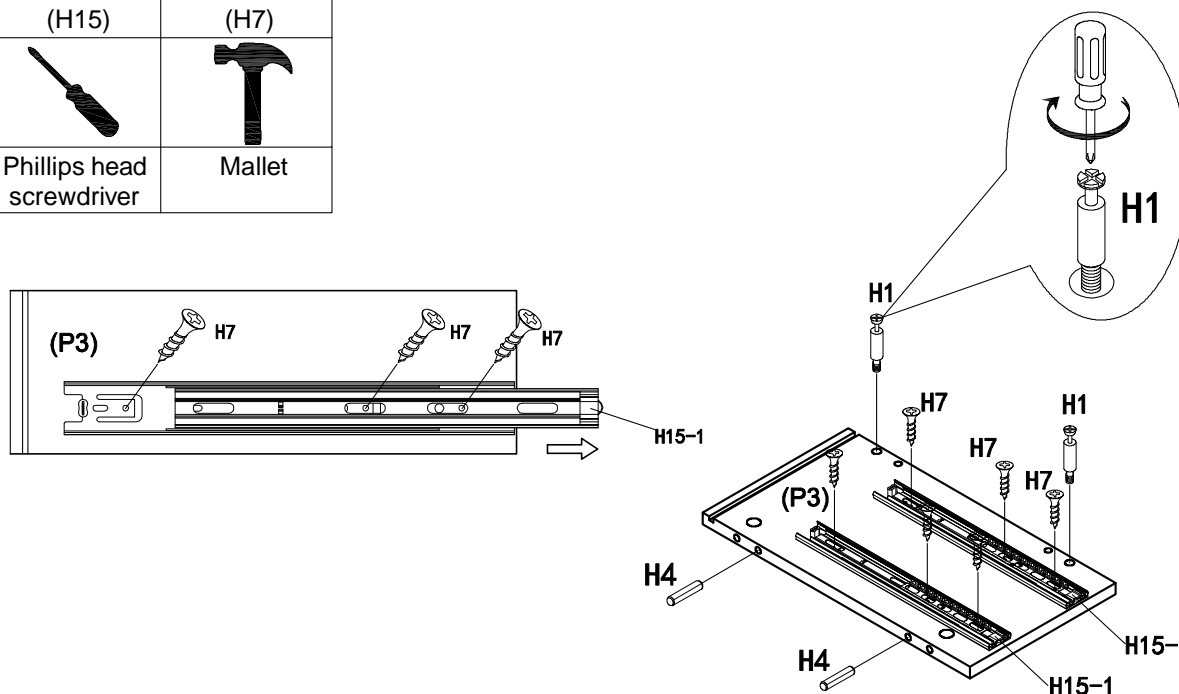
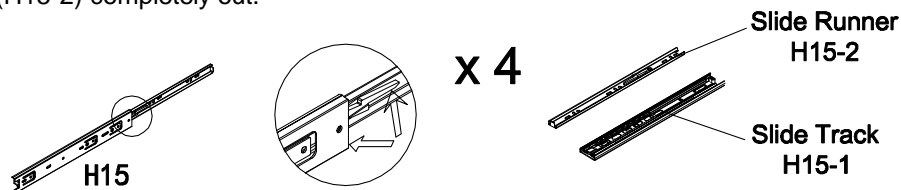


Screw 4 x Big Cam Bolts (H1) into Top Panel (P1) as shown.

Step 2

You will need	
	
2 x Big Cam Bolt (H1)	2 x Big Wood Dowel (H4)
	
4 x Slide (H15)	6 x Screw (H7)
	
Phillips head screwdriver	Mallet

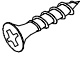
Separate the Slide Runners (H15-2) and Slide Tracks (H15-1) from Slide (H15) by following the steps below:
 Extend the Slide Runner all the way forward.
 Press the plastic release lever of the slide down and pull the Slide Runner (H15-2) completely out.

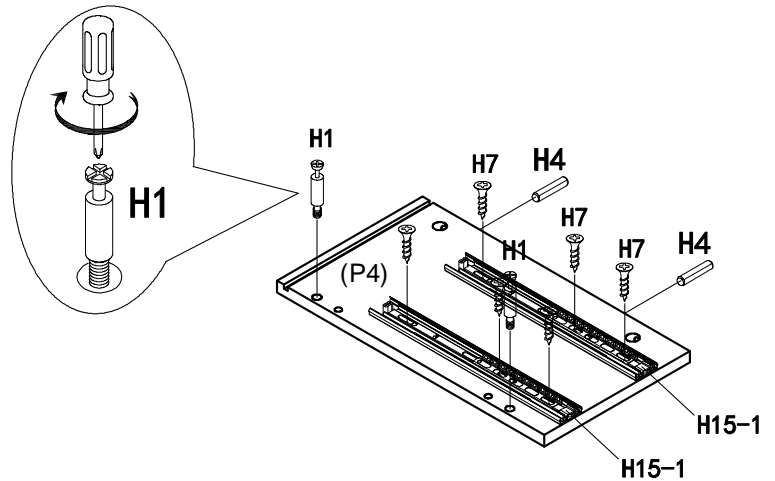
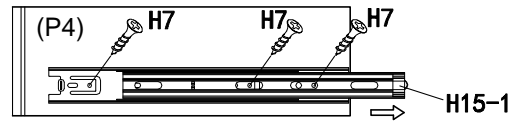


Insert 2 x Big Wood Dowels (H4) into Left Side Panel (P3).
 Screw 2 x Big Cam Bolts (H1) into Left Side Panel (P3).
 Attach 2 x Slide Tracks (H15-1) onto Left Side Panel (P3) with 6 x Screws (H7).



Step 3

You will need	
	
2 x Big Cam Bolt (H1)	2 x Big Wood Dowel (H4)
	
2 x Slide Track (H15-1)	6 x Screw (H7)
	
Phillips head screwdriver	Mallet

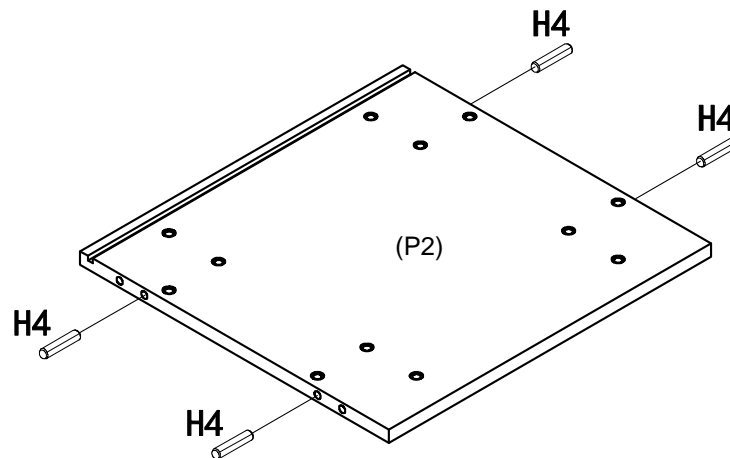


Insert 2 x Big Wood Dowels (H4) into Right Side Panel (P4).
 Screw 2 x Big Cam Bolts (H1) into Right Side Panel (P4).
 Attach 2 x Slide Tracks (H15-1) onto Right Side Panel (P4) with 6 x Screws (H7).



Step 4

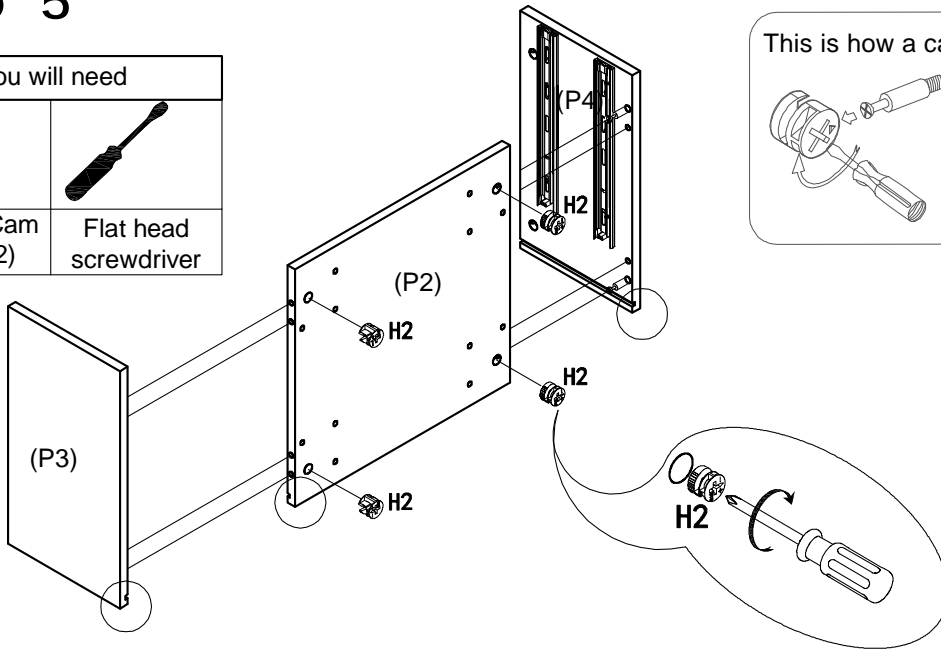
You will need	
	
4 x Big Wood Dowel (H4)	Mallet

Insert 4 x Big Wood Dowels (H4) into Bottom Panel (P2).

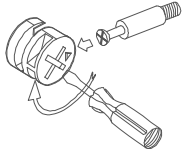


Step 5

You will need	
	
4 x Big Cam Nut (H2)	Flat head screwdriver



This is how a cam nut works.....





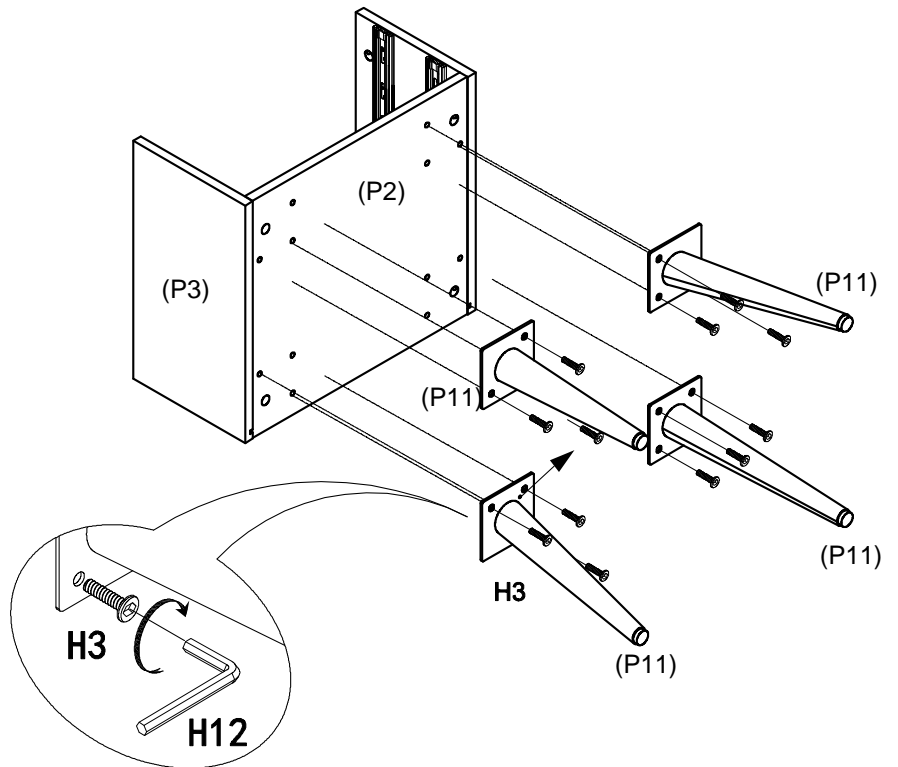
The head of the cam bolt goes into the open mouth of the cam nut. You then turn the cam nut so it tightens over the bolt.

Position Left Side Panel (P3) and Right Side Panel (P4) onto Bottom Panel (P2), so that their grooves are aligned.

Insert 4 x Big Cam Nuts (H2) into Bottom Panels (P2) and turn clockwise to lock.

Step 6

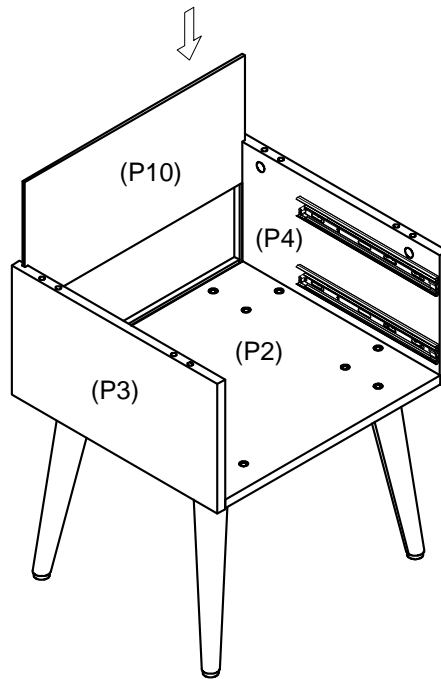
You will need	
	
12 x Bolt (H3)	Allen Key (H12)



Fix each Metal Leg (P11) to Bottom Panel (P2) with 3 x Bolts (H3) using Allen Key (H12).

With help, turn the assembled unit over carefully.

Step 7

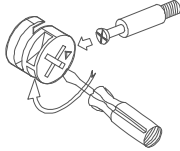


Slide Back Panel (P10) into the grooves as shown.

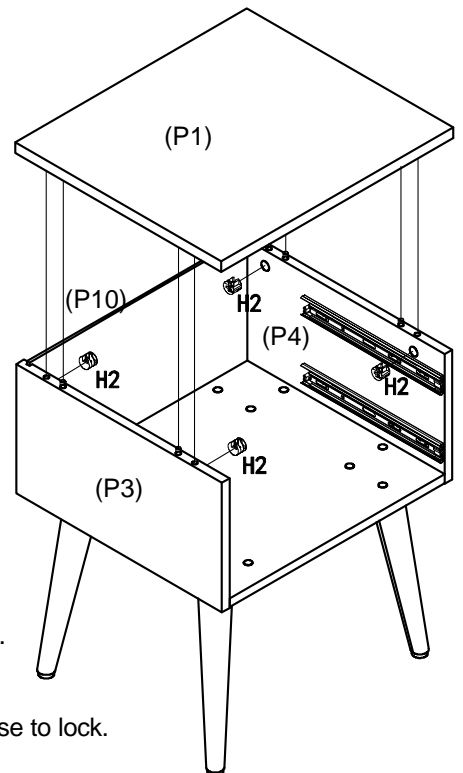
Step 8

You will need	
	
4 x Big Cam Nut (H2)	Flat head screwdriver

This is how a cam nut works.....



The head of the cam bolt goes into the open mouth of the cam nut. You then turn the cam nut so it tightens over the bolt.

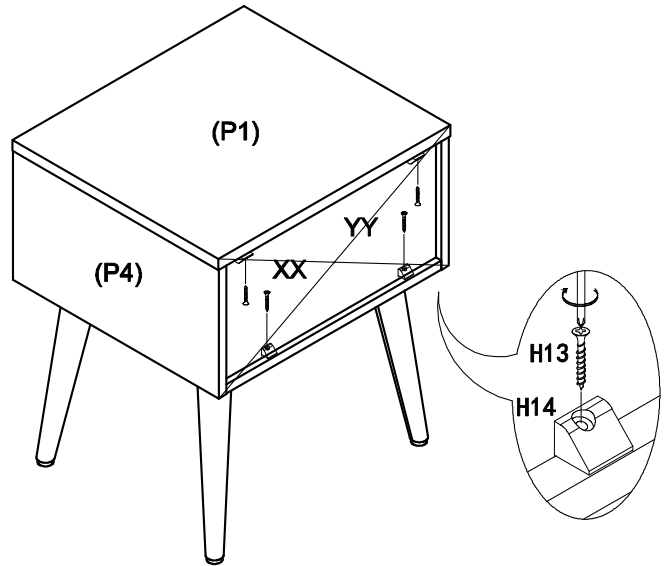
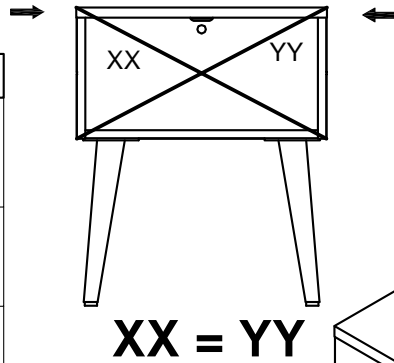


Position Top Panel (P1) onto Side Panel (P3) & (P4) and Back Panel (P10). Make sure the Back Panel (P10) fits into the groove under Top Panel (P1).

Insert 4 x Big Cam Nuts (H2) into Side Panels (P3) & (P4) and turn clockwise to lock.

Step 9

You will need	
4 x Back Panel Connector (H14)	4 x Screw Connector (H13)
Phillips head screwdriver	



If necessary, gently adjust the Top Panel (P1) sideways in either direction until XX and YY are equal.

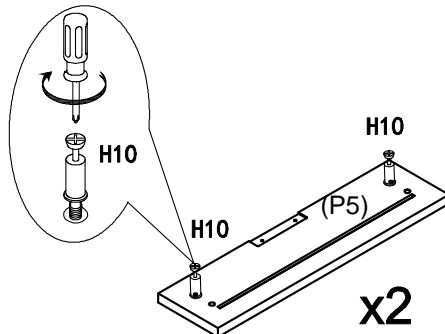
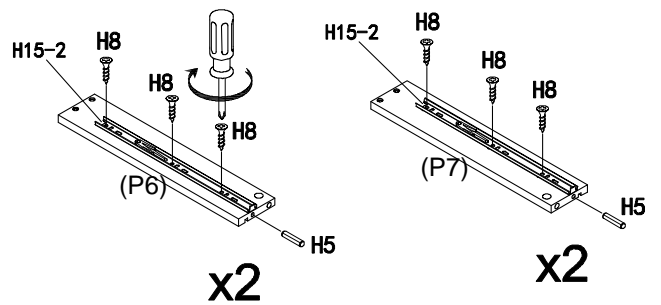
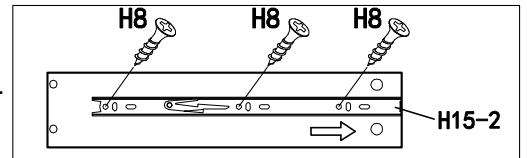
Fix the Back Panel Connectors (H14) with Screws (H13) as shown.

Step 10

You will need	
4 x Small Cam Bolt (H10)	4 x Slide Runner (H15-2)
12 x Screw (H8)	4 x Small Wood Dowel (H5)
Phillips head screwdriver	Mallet



Insert 1x Small Wood Dowel (H5) into each Drawer left Side (P6) and Drawer Right Side (P7) as shown.

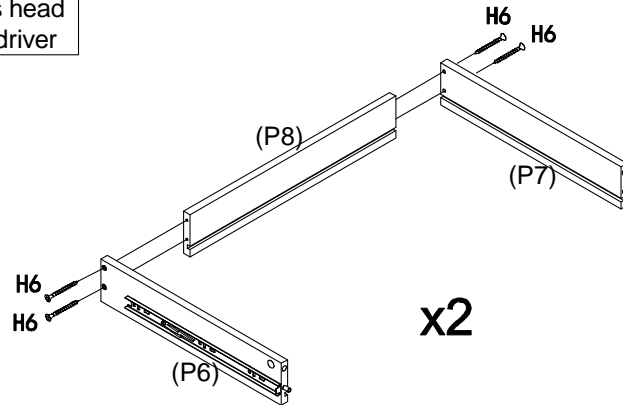
Attach 1 x Slide Runner (H15-2) onto each Drawer Side (P6) & (P7) with 3 x Screws (H8).



Screw 2 x Small Cam Bolts (H10) into each of the Drawer Fronts (P5) using a Phillips head screwdriver.

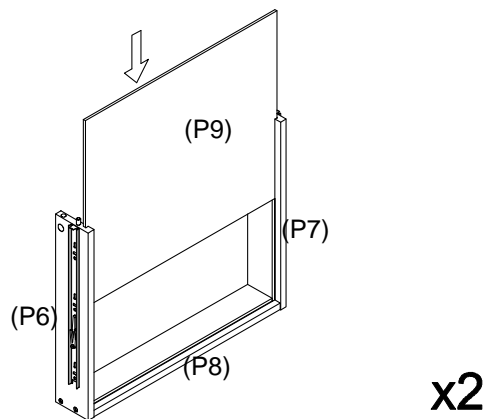
Step 11

You will need	
	
8 x Screw (H6)	Phillips head screwdriver





Attach 1x Drawer Side Panel (P6) and 1x Drawer Side Panel (P7) to 1x Drawer Back Panel (P8) with 4 x Screws (H6), so that their grooves are at the same side.
Repeat for all drawer panels.

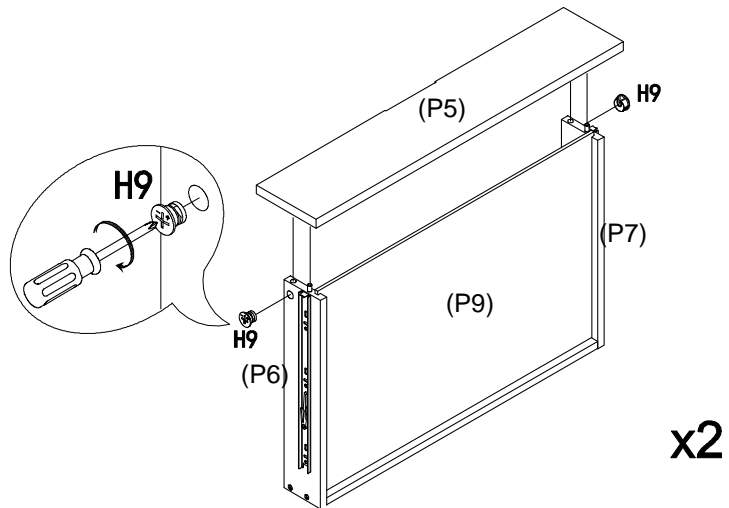
Step 12



Slide 1x Drawer Base (P9) into the grooves in the Drawer Panels (P6), (P7) and (P8).
Repeat with the other Drawer Base (P9).

Step 13

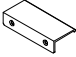


You will need	
	
4 x Small Cam Nut (H9)	Phillips head screwdriver

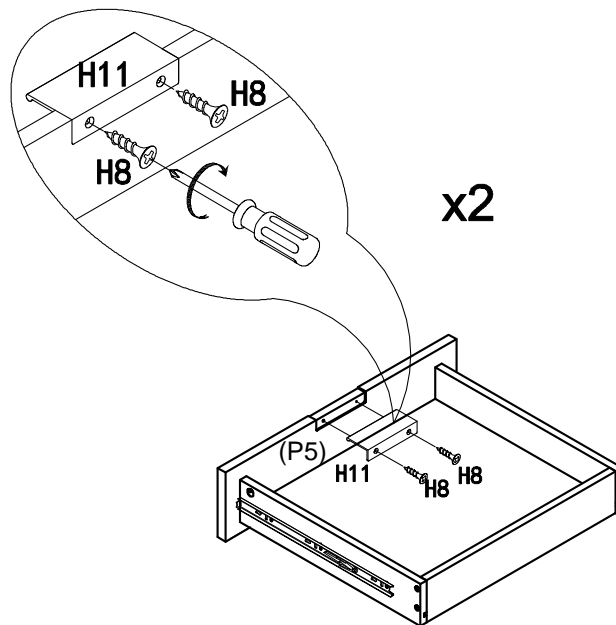


Position Drawer Front (P5) onto Drawer Sides (P6) & (P7).
 Rotate 1x Small Cam Nut (H9) so the arrow points towards the incoming cam bolt and insert the Small Cam Nut (H9) into Drawer Side Panel (P6) or (P7).
 Repeat with the remaining 1 x Small Cam Nut (H9).
 Turn Small Cam Nuts (H9) clockwise to lock.

Repeat with other Drawer Front (P5).

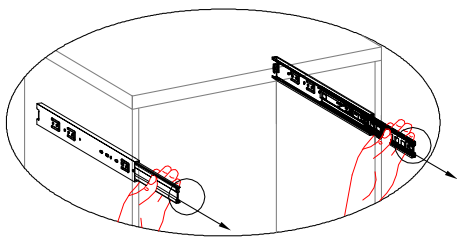
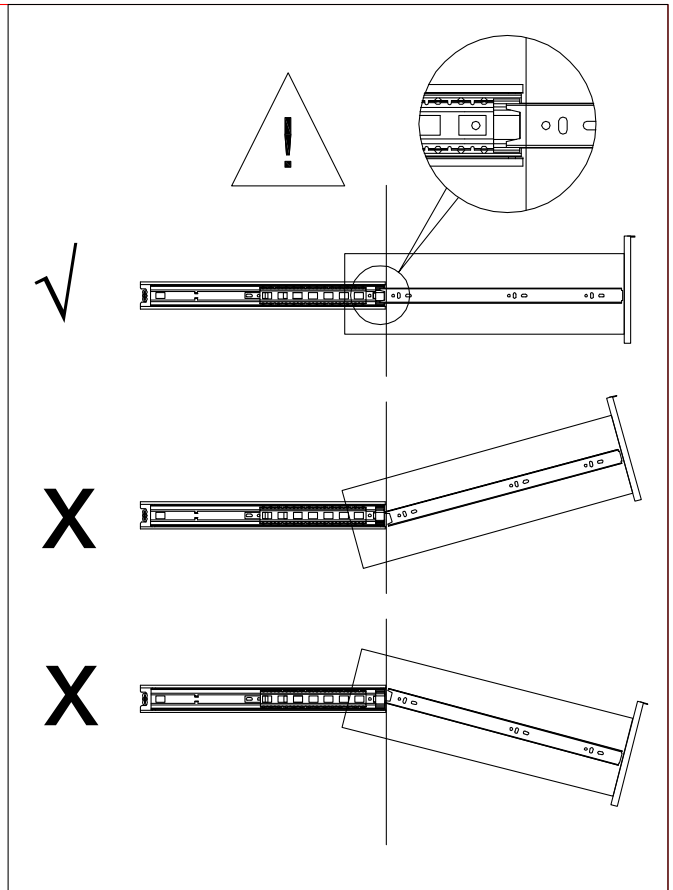
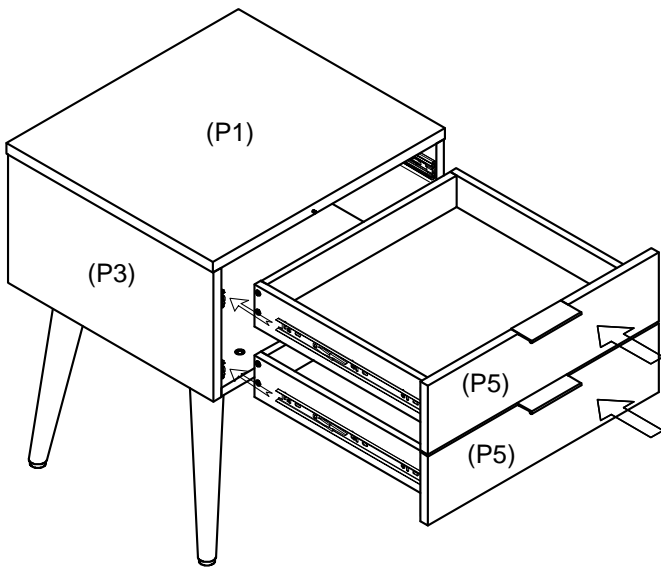
Step 14

You will need	
	
2 x Metal Handle (H11)	4 x Screw (H8)
	
Phillips head screwdriver	

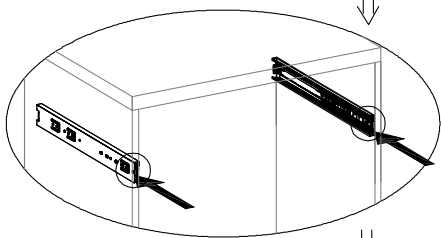
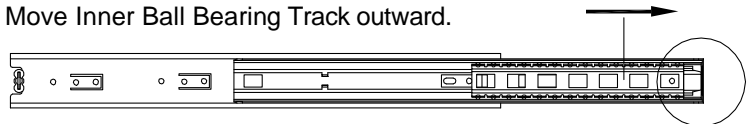


Attach 1x Metal Handle (H11) onto each Drawer Front (P5) with 2x Screws (H8) using a Phillips head screwdriver.
 Do not over-tighten the screws (H8).

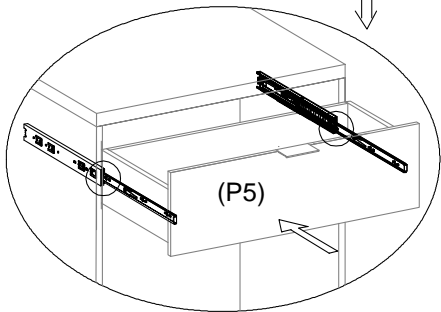
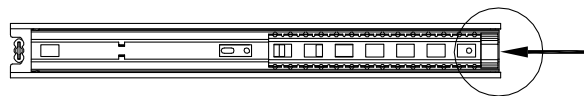
Step 15



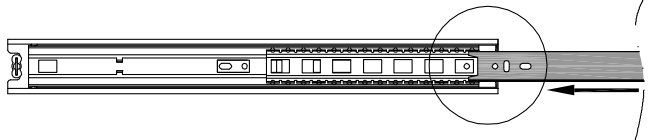
Move Inner Ball Bearing Track outward.



Push Middle Track in.

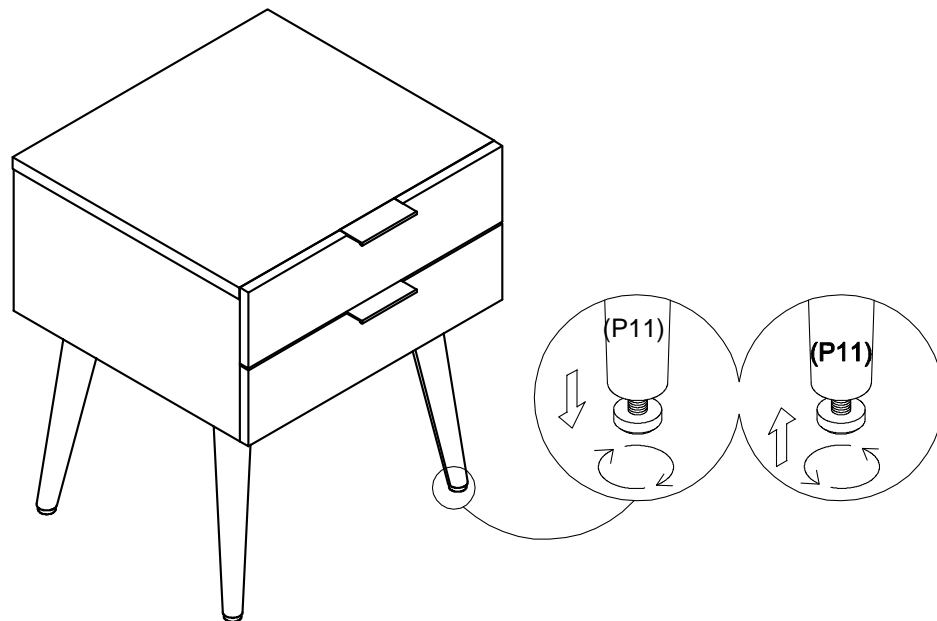


Gently Insert Slide Runner into Ball Bearing Track.



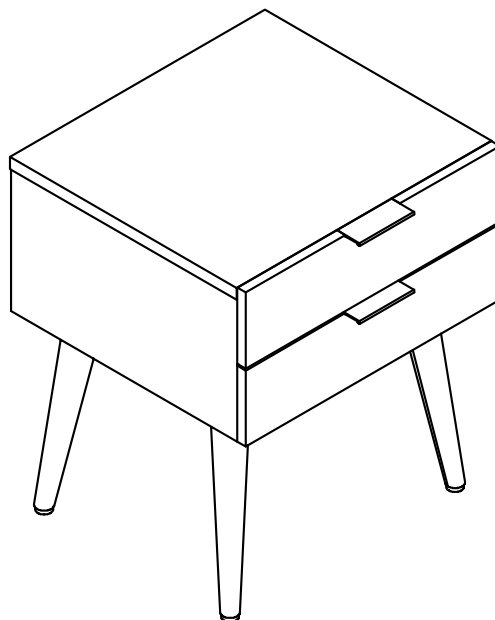
Position Drawer so that Slide Runner (H15-2) aligns with Slide Track (H15-1) as shown.
Gently push drawer into the closed position.

Step 16



If the Bedside is not level, you can adjust the height of each Leg by turning the feet of Legs clockwise or counter-clockwise.

Step 17



Job Complete !

In the interest of our environment Please dispose of all packaging thoughtfully.





THIS TOP IS FINISHED WITH A CLEAR PU LACQUER

Avoid placing hot items directly onto the surface unless using a thick insulation material such as placemats or coasters. Heat may lead to discolouration or other damage to the surface of the product.

Use a soft cloth that has been dampened in water to clean the surface of this product. Do not use abrasive cleaners, furniture wax or polish on the surface of this product, as it may damage the surface.

CAUTION: FREQUENT EXPOSURE TO DIRECT SUNLIGHT OR SIMILAR SOURCES MAY CAUSE THE SURFACE TO DISCOLOUR OR FADE.