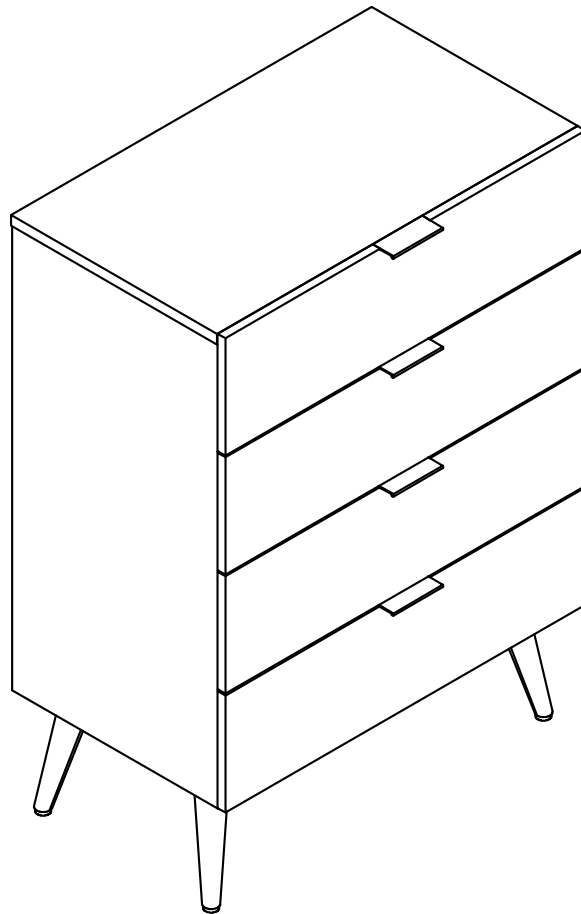
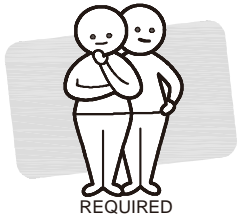




Version 1.0



TWO PEOPLE



REQUIRED

MONACO

Tallboy 4 Drawer

www.fantasticfurniture.com.au

Enjoy
Your purchase from
Australia's Best Value Furniture Store



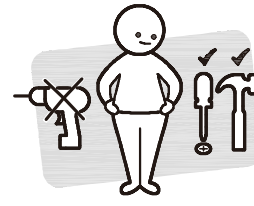
**WARNING: ENSURE THE WALL BRACKET IS ATTACHED
TO AVOID SERIOUS INJURY.**

To avoid any serious or fatal injury, this product has been fitted with a wall bracket to prevent toppling. We strongly recommend that this product is permanently fixed to the wall or other suitable surface. Fixing devices are not included since different surface materials require different attachments. Please seek professional advice if you are in doubt of what fixing device to use.

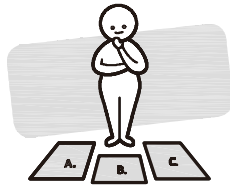
Assembly checklist



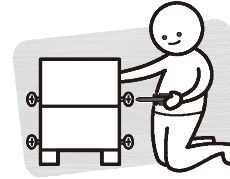
Read through the instructions carefully before you begin.



Make sure you have all the required tools. Never use power tools unless instructed.



Identify and lay out all of the components before you begin assembly.



Unless instructed, do not fully tighten screws until the item is fully assembled.

Useful Information

!Never use power tools unless specifically instructed. They can damage your components or hardware if used incorrectly.

!The most common mistakes made during assembly are using the wrong hardware or getting components back to front.

!Always use a soft surface (such as carpet or cardboard) when assembling your product to avoid scratching or damaging the surface of the product.

!Bulky items such as wardrobes and bunk beds should be assembled in the room they will be used in as they may not fit through a door once assembled.

!Never use any glue until you are certain that the parts belong together.

! Periodically check and re-tighten all fasteners. Check the product care label or website for product care instructions.

!If you are having any difficulties assembling your product, missing any hardware or components please visit our website Help Centre for further assistance.



What you need to assemble the product

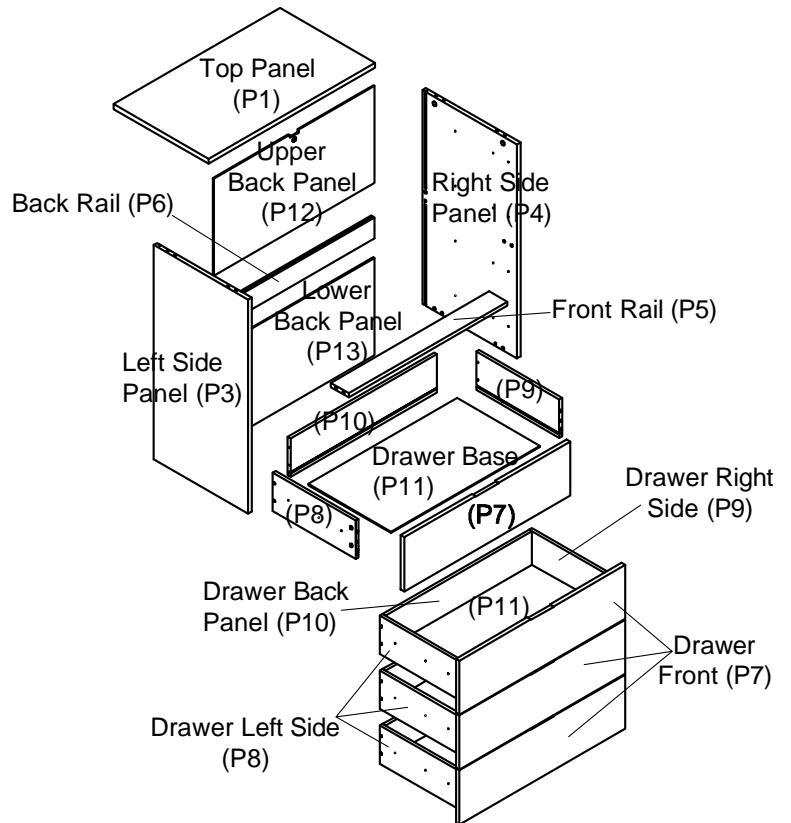


DO NOT USE



Other tools you need

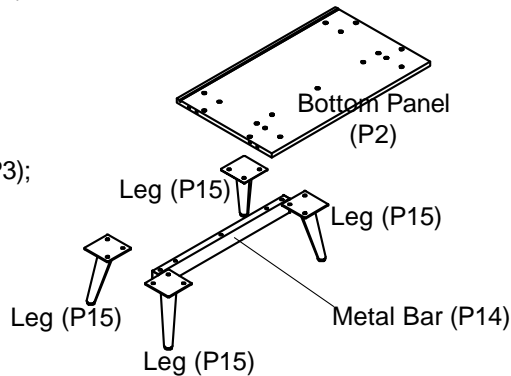
Flat head screwdriver; Phillips head screwdriver; Mallet



Part list

Box 1: Front Rail (P5); Back Rail (P6); 4x Drawer Left Side (P8); 4x Drawer Right Side (P9); 4x Drawer Back Panel (P10); 4x Drawer Base (P11); Upper Back Panel (P12); Lower Back Panel (P13); Metal Bar (P14); 4x Leg (P15); Hardware.

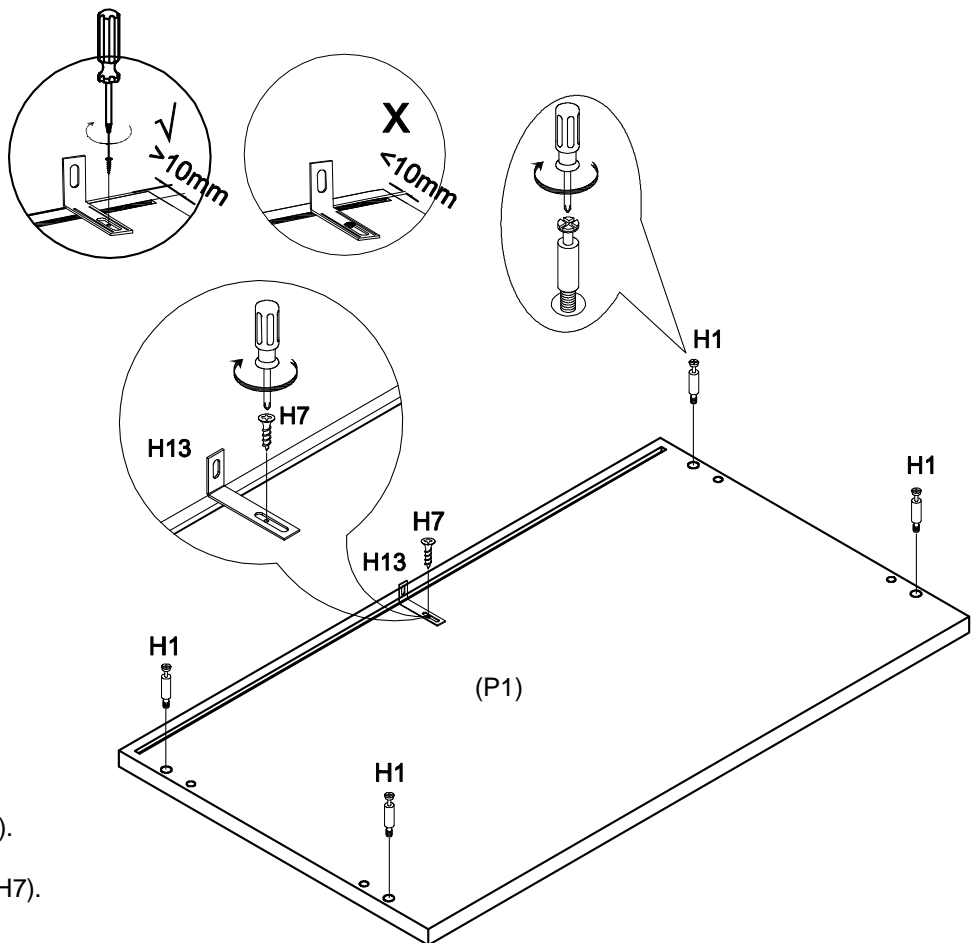
Box 2: Top Panel (P1); Bottom Panel (P2); Left Side Panel (P3); Right Side Panel (P4); 4x Drawer Front (P7).



12 x Big Cam Bolt (H1)	12 x Big Cam Nut (H2)	5 x Bolt (H3)	12 x Big Wood Dowel (H4)	8 x Small Wood Dowel (H5)	16 x Screw (H6)
25 x Screw (H7)	32 x Screw (H8)	16 x Small Cam Nut (H9)	16 x Small Cam Bolt (H10)	4 x Metal Handle (H11)	1 x Allen Key (H12)
1 x Wall Bracket (H13)	6 x Screw (H14)	6 x Back Panel Connector (H15)	12 x Bolt (H16)	8 x Slide (H17)	

Step 1

You will need	
4 x Big Cam Bolt (H1)	1 x Wall Bracket (H13)
1 x Screw (H7)	Phillips head screwdriver



Screw 4 x Big Cam Bolts (H1) into Top Panel (P1) as shown.

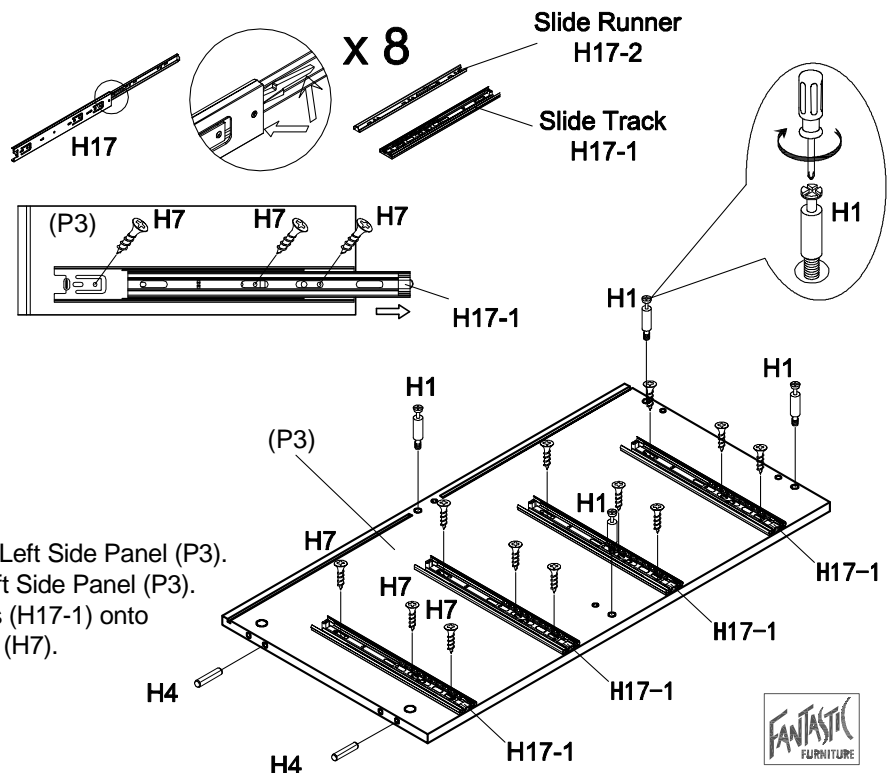
Fasten Wall Bracket (H13) on Top Panel (P1) with Screw (H7).

Do not fully tighten the Screw (H7).

Step 2

You will need	
4 x Big Cam Bolt (H1)	2 x Big Wood Dowel (H4)
8 x Slide (H17)	12 x Screw (H7)
Phillips head screwdriver	Mallet

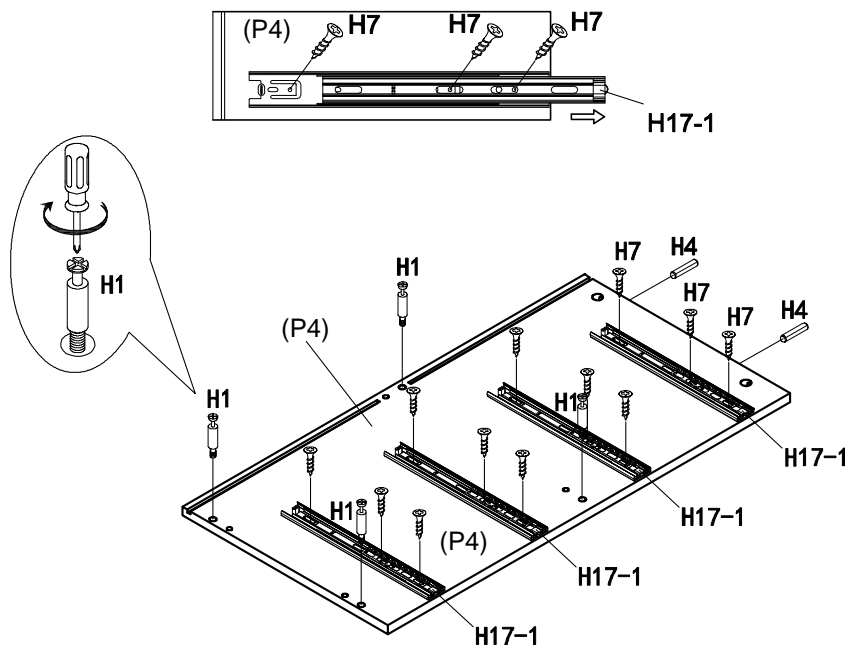
Separate the 8 sets of Slide Runners (H17-2) and Slide Tracks (H17-1) from Slides (H17) by following the steps below:
 Extend the Slide Runner all the way forward.
 Press the plastic release lever of the slide down and pull the Slide Runner (H17-2) completely out.



Insert 2 x Big Wood Dowels (H4) into Left Side Panel (P3).
 Screw 4 x Big Cam Bolts (H1) into Left Side Panel (P3).
 Attach 4 x the Separated Slide Tracks (H17-1) onto Left Side Panel (P3) with 12 x Screws (H7).

Step 3

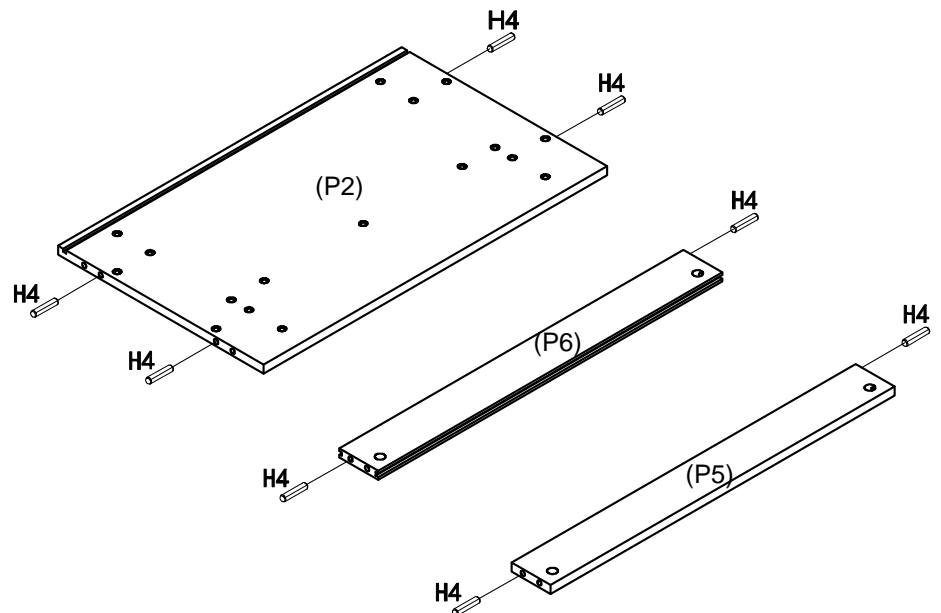
You will need	
4 x Big Cam Bolt (H1)	2 x Big Wood Dowel (H4)
4 x Slide Track (H17-1)	12 x Screw (H7)
Phillips head screwdriver	Mallet



Insert 2 x Big Wood Dowels (H4) into Right Side Panel (P4).
 Screw 4 x Big Cam Bolts (H1) into Right Side Panel (P4).
 Attach 4 x the Separated Slide Tracks (H17-1) onto Right Side Panel (P4) with 12 x Screws (H7).



Step 4

You will need	
8 x Big Wood Dowel (H4)	Mallet

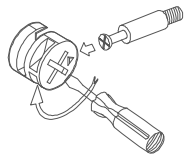


Insert 4 x Big Wood Dowels (H4) into Bottom Panel (P2).
 Insert 2 x Big Wood Dowels (H4) into Front Rail (P5).
 Insert 2 x Big Wood Dowels (H4) into Back Rail (P6).

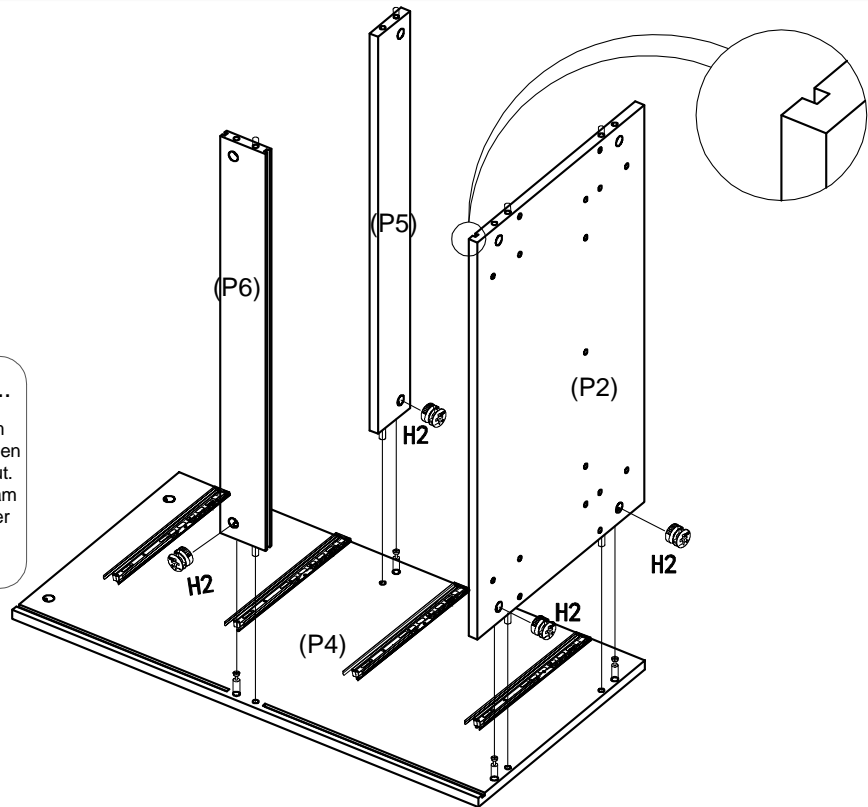
Step 5

You will need	
	
4 x Big Cam Nut (H2)	Flat head screwdriver

This is how a cam nut works.....

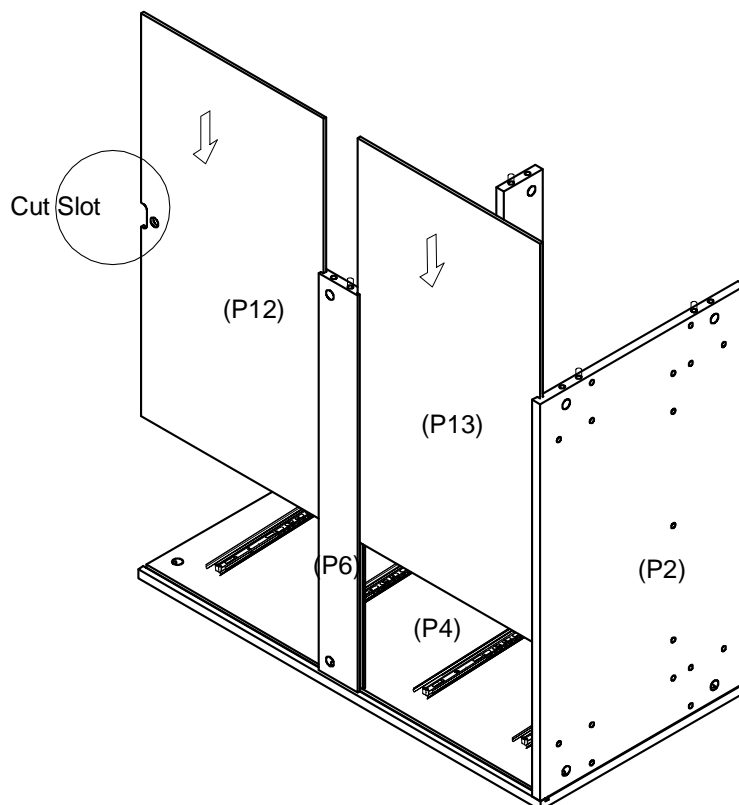


The head of the cam bolt goes into the open mouth of the cam nut. You then turn the cam nut so it tightens over the bolt.





Position Bottom Panel (P2) over Right Side Panel (P4) so that their grooves are aligned.
 Fit Bottom Panel (P2), Front Rail (P5) & Back Rail (P6) to Right Side Panel (P4).
 Insert 4 x Big Cam Nuts (H2) into Back Rail (P6), Front Rail (P5) and Right Side Panel (P4) and turn lockwise to lock.

Step 6

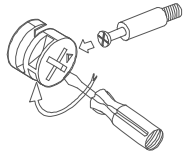


Slide Lower Back Panel (P13) & Upper Back Panel (P12) into grooves as shown.

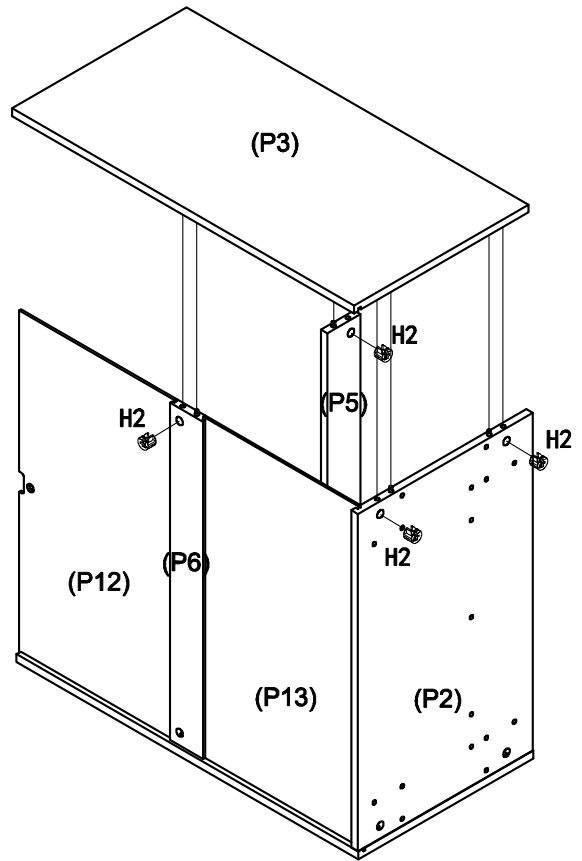
Step 7

You will need	
	
4 x Big Cam Nut (H2)	Flat head screwdriver

This is how a cam nut works.....



The head of the cam bolt goes into the open mouth of the cam nut. You then turn the cam nut so it tightens over the bolt.





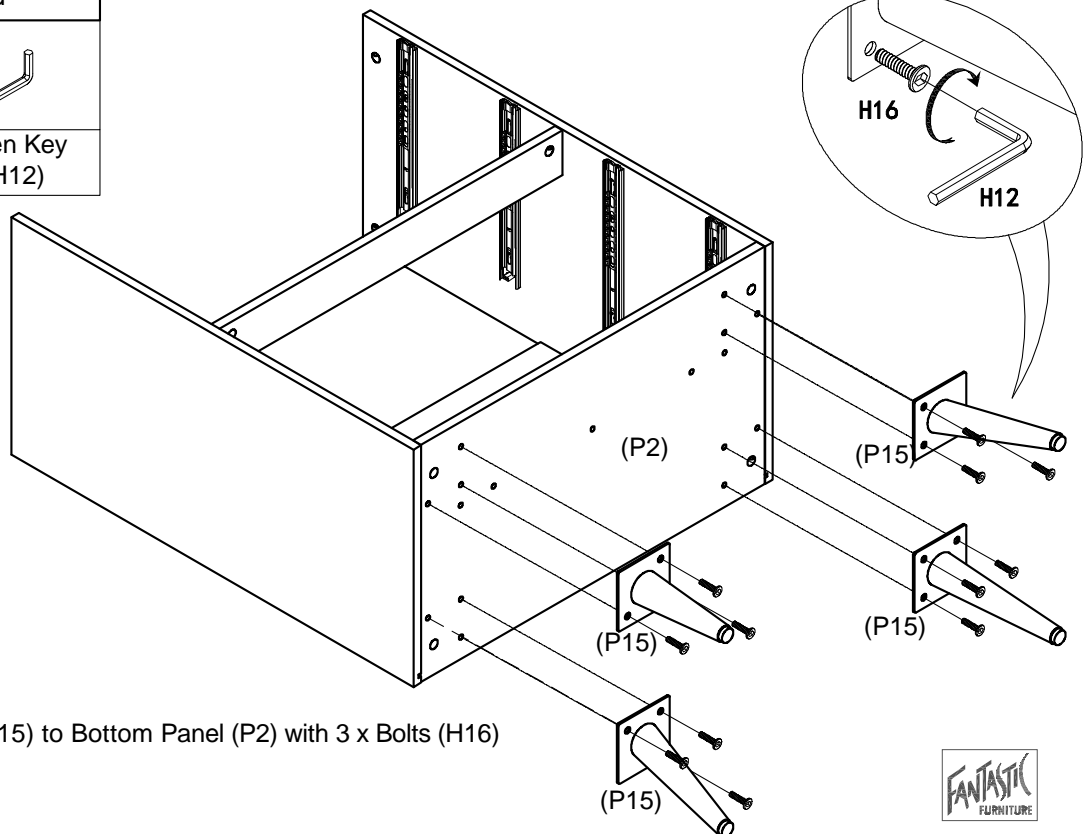
Position Left Side Panel (P3) onto Bottom Panel (P2) & Front Rail (P5) & Back Rail (P6).

If necessary, adjust the panels to allow Upper Back Panel (P12) & Lower Back Panel (P13) to fit into the groove of Left Side Panel (P3)

Insert 4 x Big Cam Nuts (H2) into Panels (P2) & (P5) & (P6) and turn clockwise to lock.



Step 8

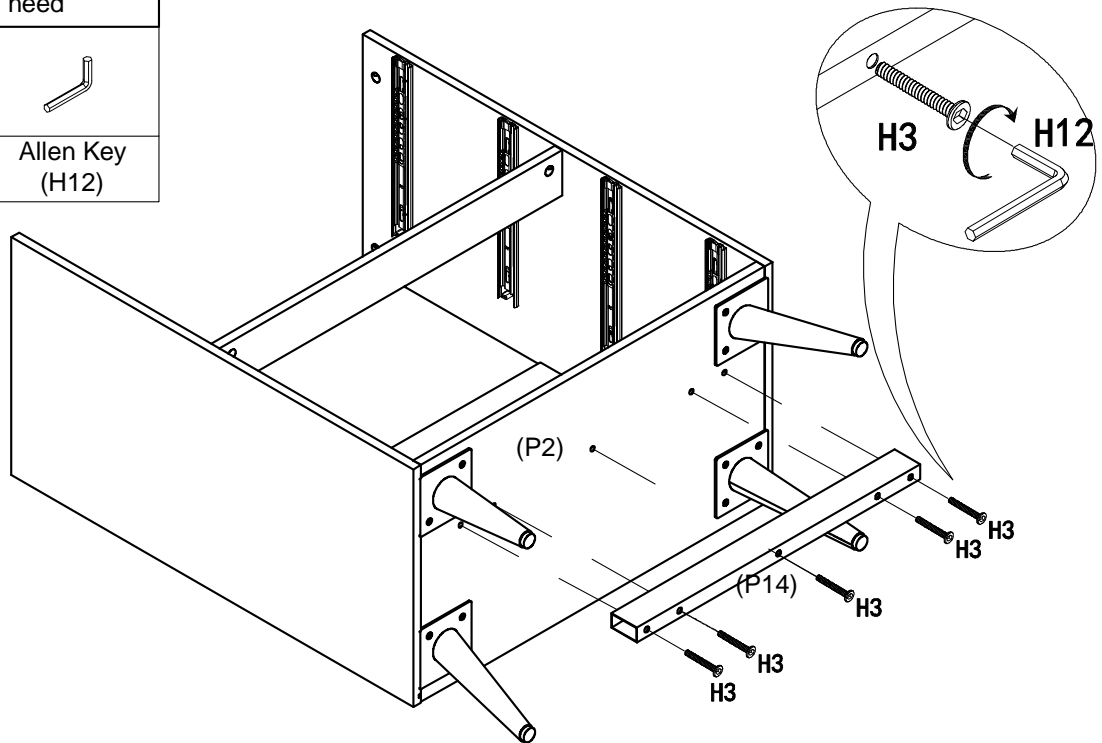
You will need	
	
12 x Bolt (H16)	Allen Key (H12)



Fix each Metal Leg (P15) to Bottom Panel (P2) with 3 x Bolts (H16) using Allen Key (H12).

Step 9

You will need	
	
5 x Bolt (H3)	Allen Key (H12)

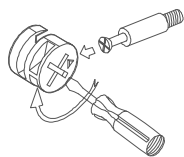


Attach Metal Bar (P14) onto Bottom Panel (P2) with 5 x Bolts (H3) using Allen Key (H12).
With help, carefully turn the assembled unit over.

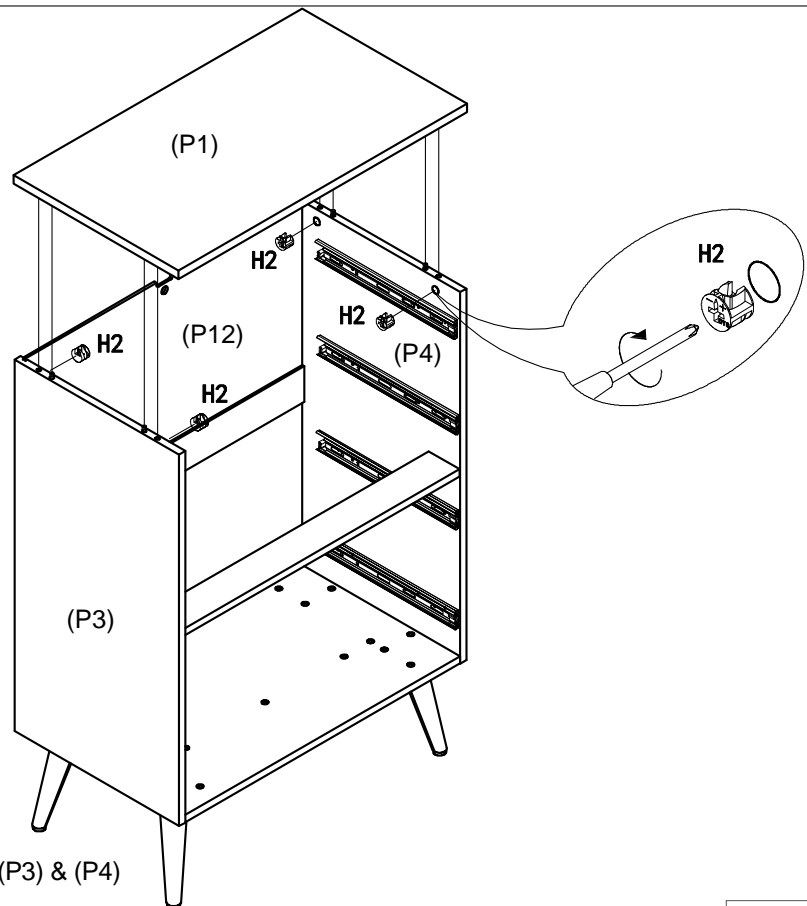
Step 10

You will need	
	
4 x Big Cam Nut (H2)	Flat head screwdriver

This is how a cam nut works.....


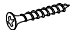



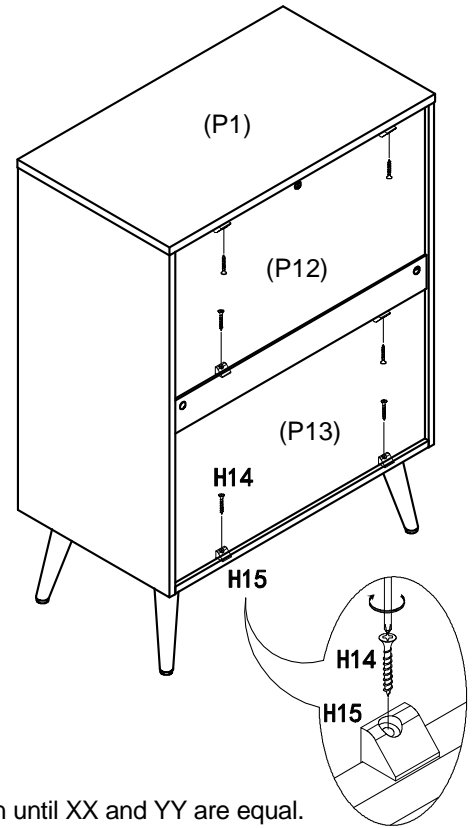
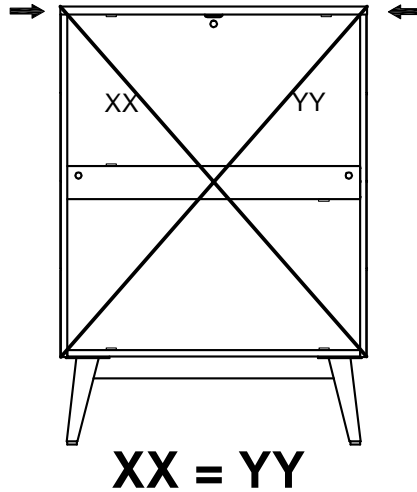
The head of the cam bolt goes into the open mouth of the cam nut. You then turn the cam nut so it tightens over the bolt.



Position Top Panel (P1) onto Side Panel (P3) & (P4) and Upper Back Panel (P12).
Insert 4 x Big Cam Nuts (H2) into Side Panels (P3) & (P4) and turn clockwise to lock.

Step 11


You will need	
	
6 x Plastic Fixture (H15)	6 x Screw (H14)
	
Phillips head screwdriver	

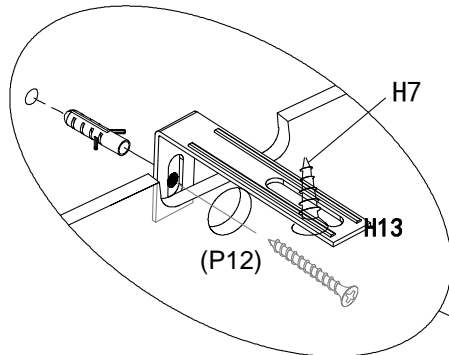


If necessary, gently adjust the Top Panel (P1) sideways in either direction until XX and YY are equal.

Fix the Back Panel Connectors (H15) with Screws (H14) as shown.

Step 12

You will need	
	
Phillips head screwdriver	

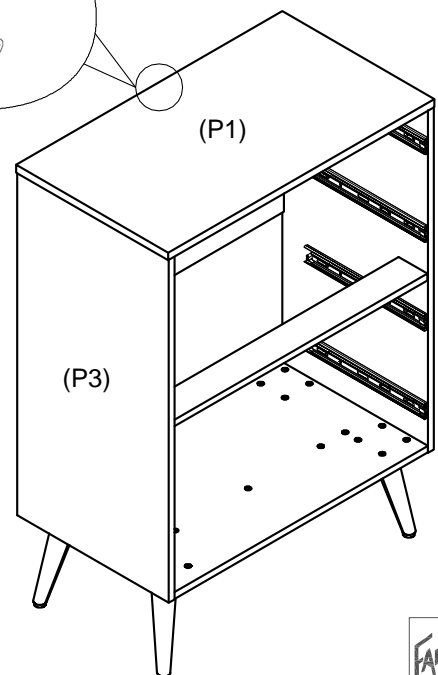
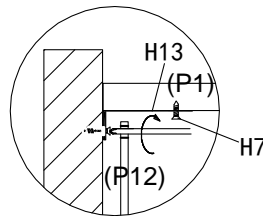


Seek advice from a qualified trades person on how to attach this safety Bracket to your specific wall.

We strongly advise that you use the wall safety Bracket provided to prevent the unit toppling.

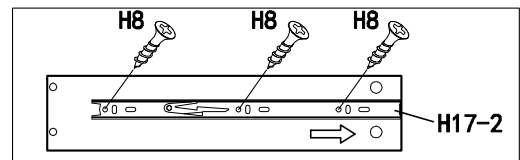
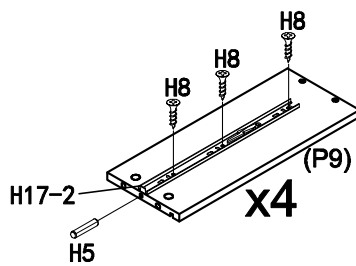
Screw and Wall Plug are not provided. Please use appropriate fixtures for your wall.

Move the Tallboy to the final position.
 Mark fixing hole on wall and remove Tallboy.
 Follow the instructions provided for the wall fittings to mount the fittings to the wall.
 Reposition Tallboy and fix the safety Wall Bracket (H13) to the wall. Make sure it is firmly attached.
 Fully tighten the screw (H7) on the Wall Bracket (H13) to the Top Panel (P1).



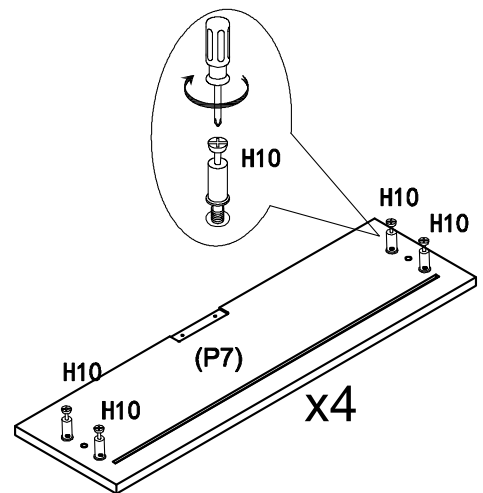
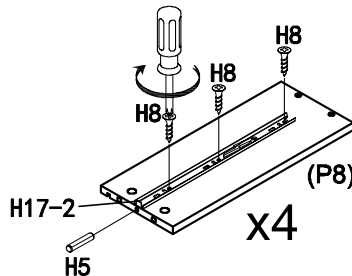
Step 13

You will need	
16 x Small Cam Bolt (H10)	8 x Slide Runner (H17-2)
24 x Screw (H8)	8 x Small Wood Dowel (H5)
Phillips head screwdriver	Mallet



Insert 1x Small Wood Dowel (H5) into each Drawer left Side (P8) and Drawer Right Side (P9) as shown.

Attach 1 x Slide Runner (H17-2) onto each Drawer Side (P8) & (P9) with 3 x Screws (H8).

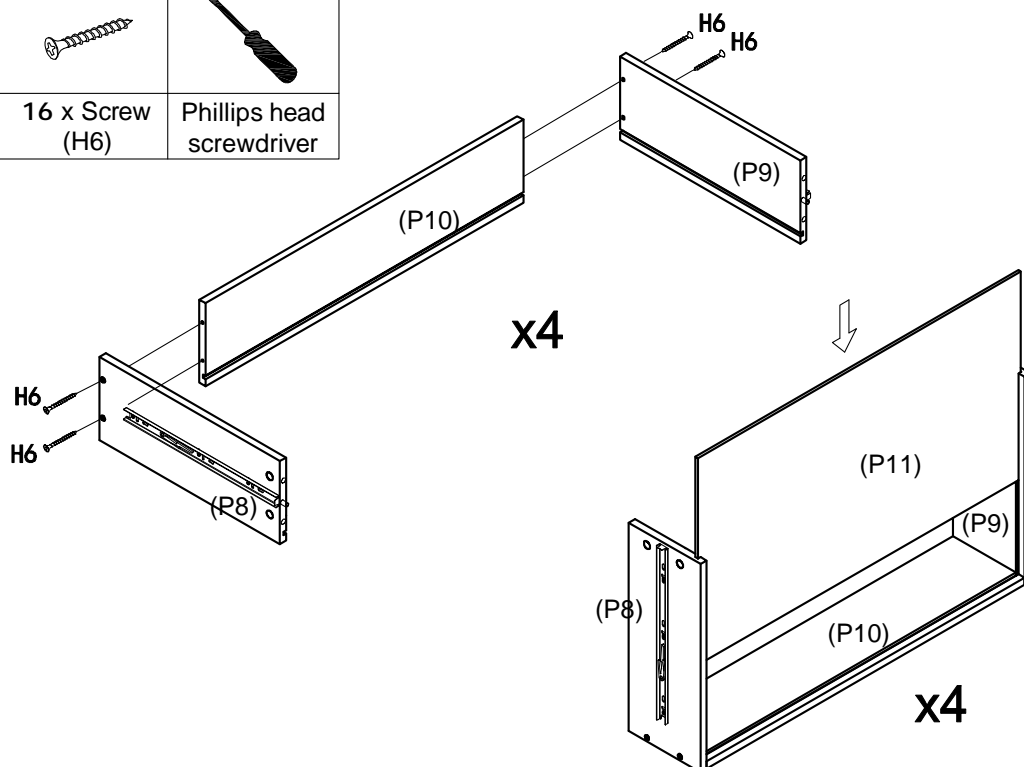


Screw 4 x Small Cam Bolts (H10) into each of the Drawer Fronts (P7) using a Phillips head screwdriver.

Step 14



You will need	
16 x Screw (H6)	Phillips head screwdriver

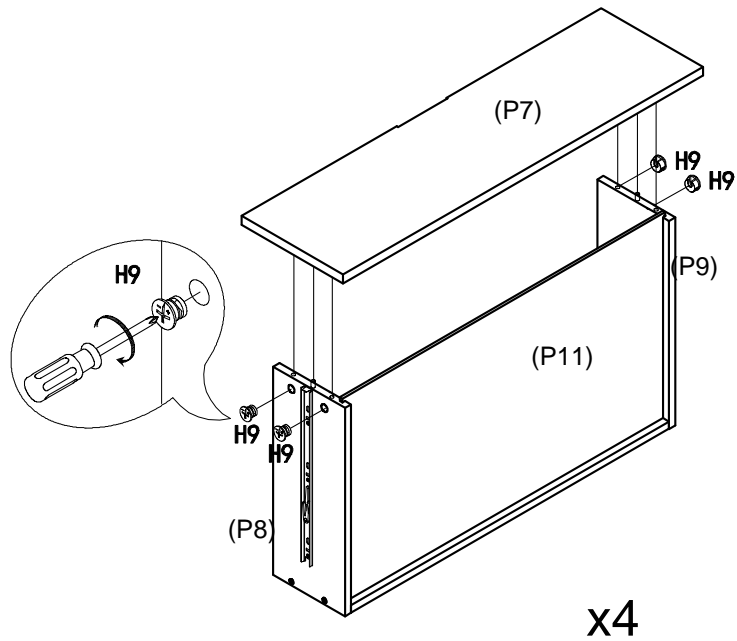
Attach 1x Drawer Left Side Panel (P8) and 1x Drawer Right Side Panel (P9) to 1x Drawer Back Panel (P10) with 4 x Screws (H6), so that their grooves are aligned. Repeat three times for all drawer panels.



Slide 1x Drawer Base (P11) into the grooves in the Drawer Panels (P8), (P9) and (P10). Repeat three times for all Drawer Bases (P11).

Step 15

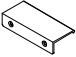


You will need	
	
16 x Small Cam Nut (H9)	Phillips head screwdriver

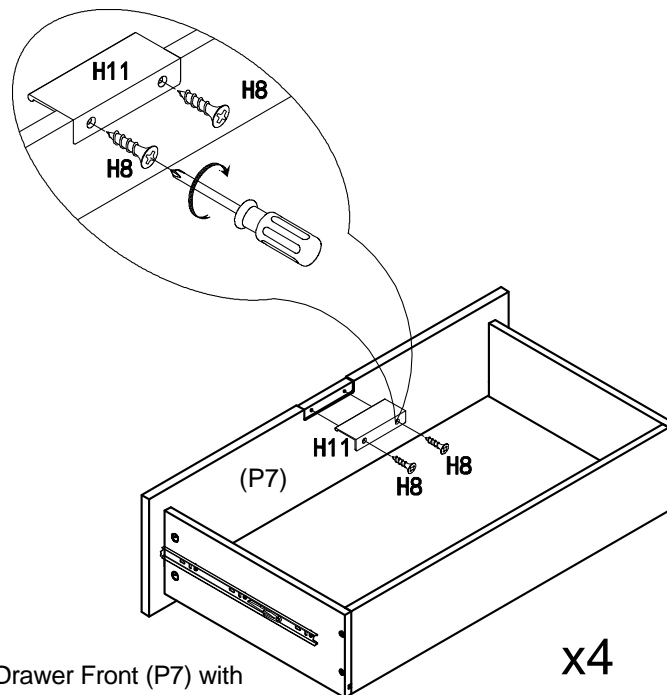


Position Drawer Front (P7) onto Drawer Sides (P8) & (P9).
 Rotate 1x Small Cam Nut (H9) so the arrow points towards the incoming cam bolt and insert the Small Cam Nut (H9) into Drawer Side Panel (P8) or (P9).
 Repeat with the remaining 3 x Small Cam Nut (H9).
 Turn Small Cam Nuts (H9) clockwise to lock.

Repeat with other Drawer Fronts (P7).

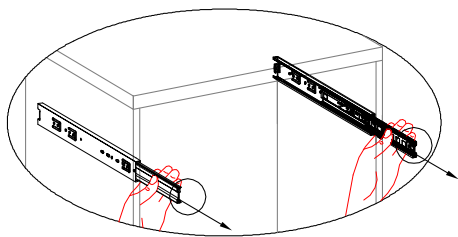
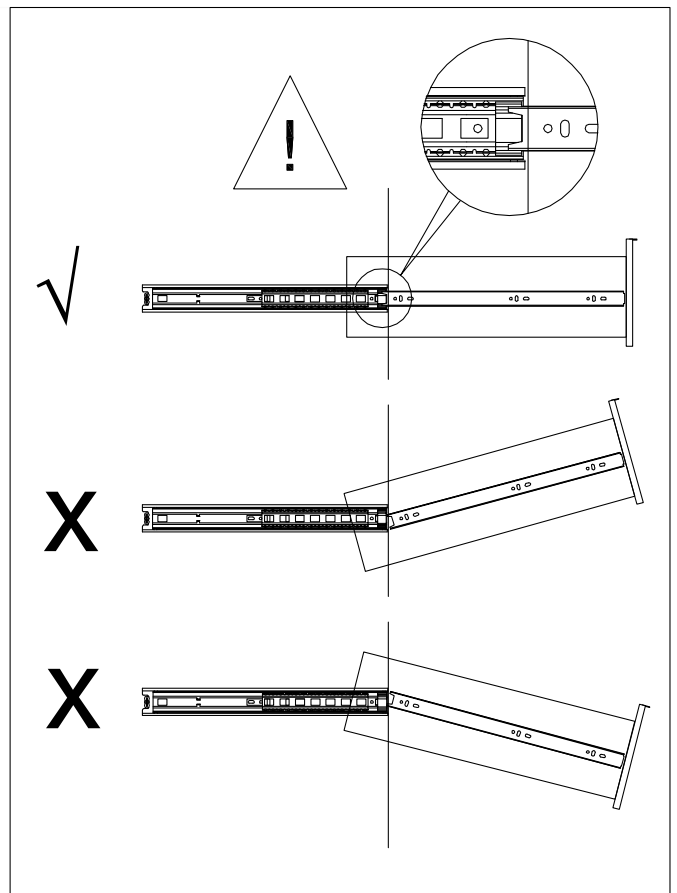
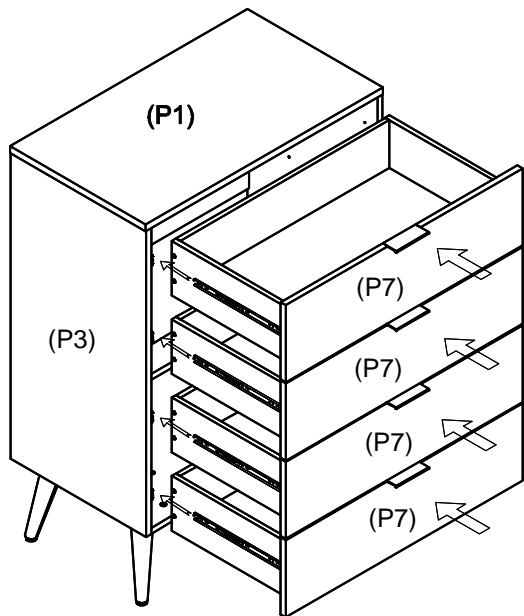
Step 16

You will need	
	
4 x Metal Handle (H11)	8 x Screw (H8)
	
Phillips head screwdriver	

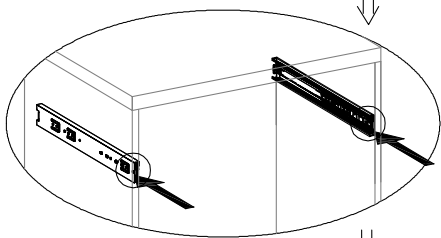
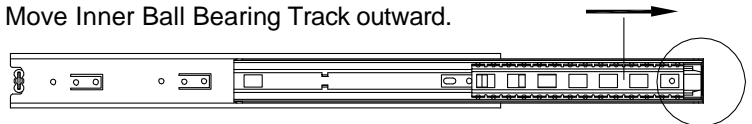


Attach 1x Metal Handle (H11) onto each Drawer Front (P7) with 2x Screws (H8) using a Phillips head screwdriver.
 Do not over-tighten the screws (H8).

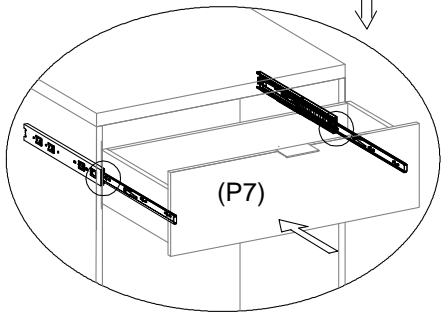
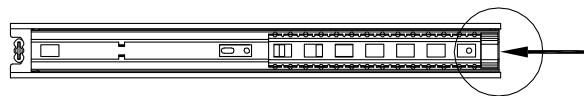
Step 17



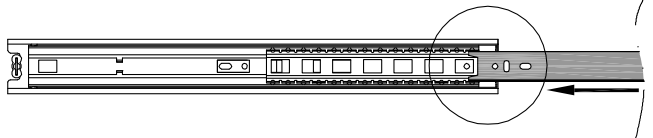
Move Inner Ball Bearing Track outward.



Push Middle Track in.

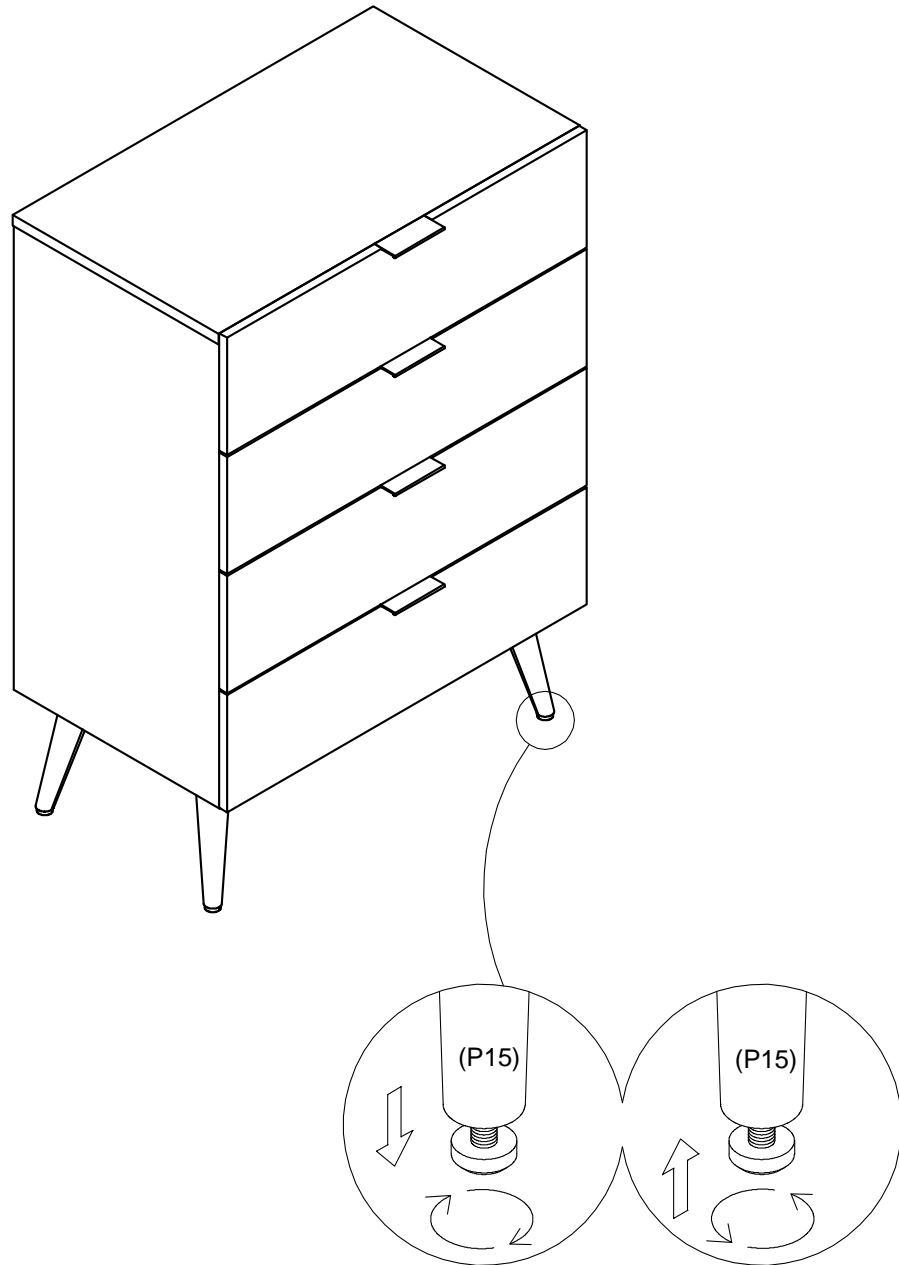


Gently Insert Slide Runner into Ball Bearing Track.



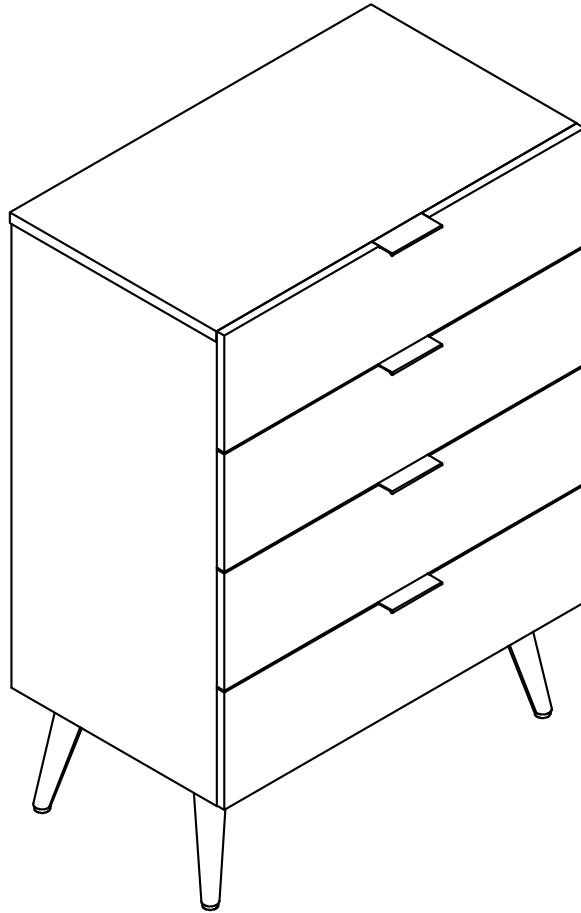
Position Drawer so that Slide Runner (H17-2) aligns with Slide Track (H17-1) as shown.
Gently push drawer into the closed position.

Step 18



If the Tallboy is not level, you can adjust the height of each Leg by turning the feet of Legs clockwise or counter-clockwise.

Step 19



Job Complete !

In the interest of our environment Please dispose of all packaging thoughtfully.



THIS TOP IS FINISHED WITH A CLEAR PU LACQUER

Avoid placing hot items directly onto the surface unless using a thick insulation material such as placemats or coasters. Heat may lead to discolouration or other damage to the surface of the product.

Use a soft cloth that has been dampened in water to clean the surface of this product. Do not use abrasive cleaners, furniture wax or polish on the surface of this product, as it may damage the surface.

CAUTION: FREQUENT EXPOSURE TO DIRECT SUNLIGHT OR SIMILAR SOURCES MAY CAUSE THE SURFACE TO DISCOLOUR OR FADE.