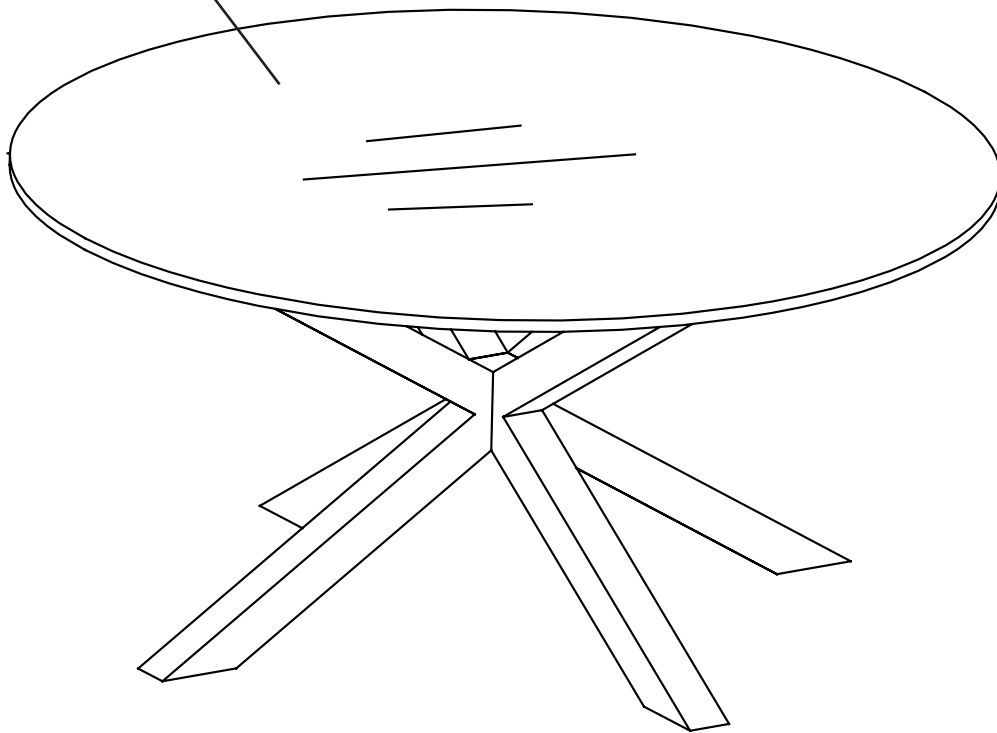




Version 1.0



TWO PEOPLE



REQUIRED

WAVERLEY

Coffee table round glass

www.fantasticfurniture.com.au



GLASS SHOULD ALWAYS BE HANDLED WITH CARE

Scratches, chips, sudden changes in temperature and hairline fractures may cause the glass to break. This glass is designed to break into small, relatively harmless pieces and not sharp fragments.

Avoid placing hot or cold items directly onto the table unless using a thick insulation material such as placemats or coasters.

Avoid dropping objects onto the glass. Do not allow hard or pointed objects to come into contact with the glass. Never use the top area as a chopping surface. Do not sit or stand on the glass surface.

Enjoy

Your purchase from
Australia's Best Value Furniture Store



Assembly checklist



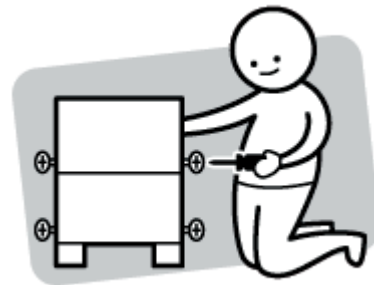
Read through the instructions carefully before you begin.



Make sure you have all the required tools. Never use power tools unless instructed.



Identify and lay out all of the components before you begin assembly.



Unless instructed, do not fully tighten screws until the item is fully assembled.

Useful Information

- ! Never use power tools unless specifically instructed. They can damage your components or hardware if used incorrectly
- ! The most common mistakes made during assembly are using the wrong hardware or getting components back to front.
- ! Always use a soft surface (such as carpet or cardboard) when assembling your product to avoid scratching or damaging the surface of the product.
- ! Bulky items such as wardrobes and bunk beds should be assembled in the room they will be used in as they may not fit through a door once assembled.
- ! Never use any glue until you are certain that the parts belong together.
- ! Periodically check and re-tighten all fasteners. Check the product care label or website for product care instructions.
- ! If you are having any difficulties assembling your product, missing any hardware or components please visit our website Help Centre for further assistance.

What you need

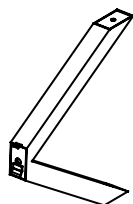
to assemble the product

Parts list

Box 1: Top (P1); Leg (P2); Center block (P3).



Top
1 x (P1)



Leg
4 x (P2)



Center block
1 x (P3)



Bolts
4 x (H1)



Bolts
4 x (H2)



Rubber pad
4 x (H3)

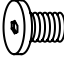




Allen key
1 x (H4)

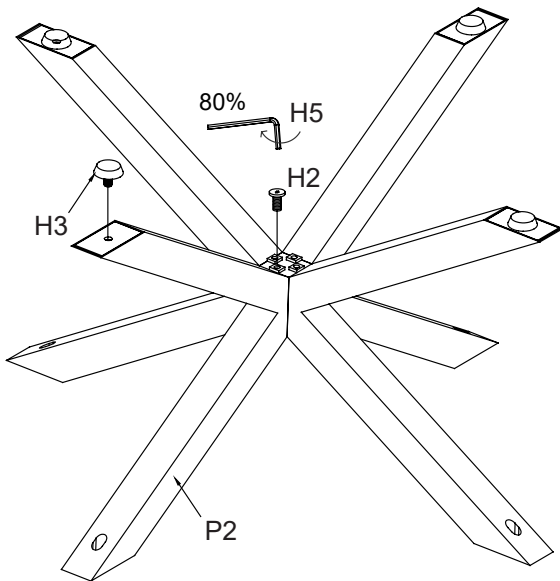
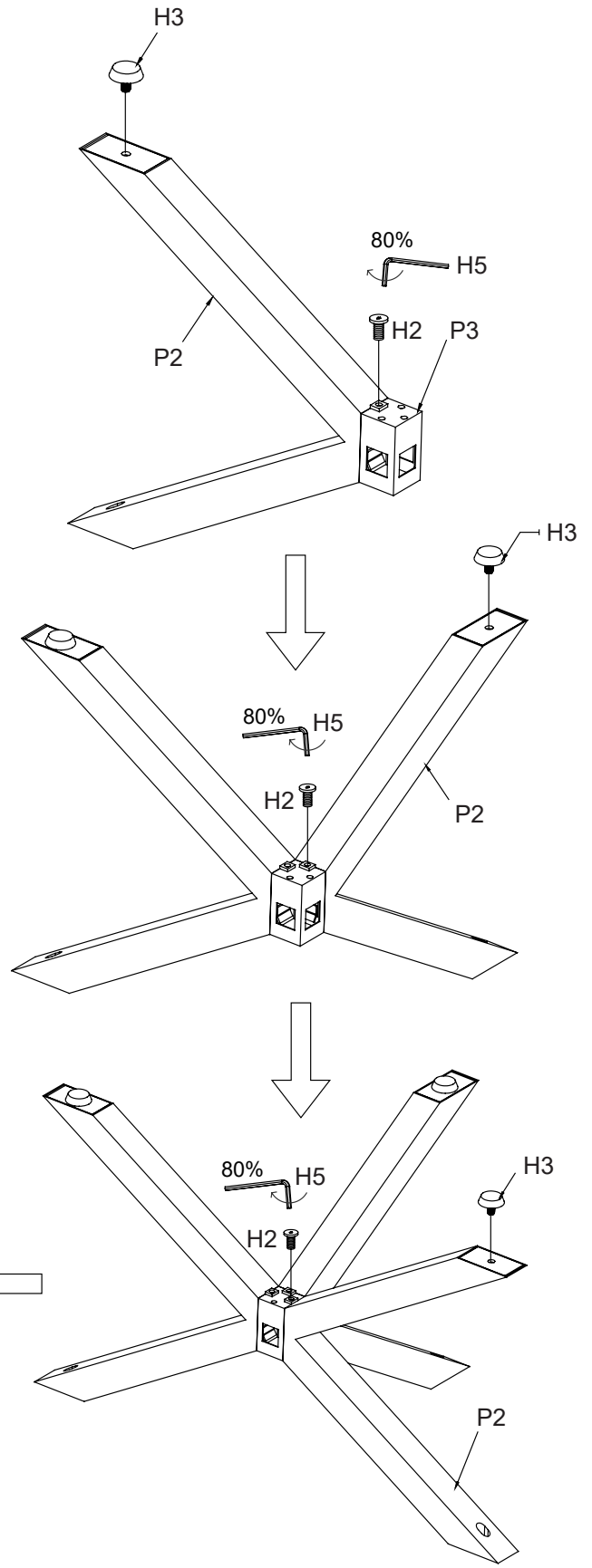


Allen key
1 x (H5)



Step 1

You will need	
	
4 x (H2)	4 x (H3)
	
1 x (H5)	

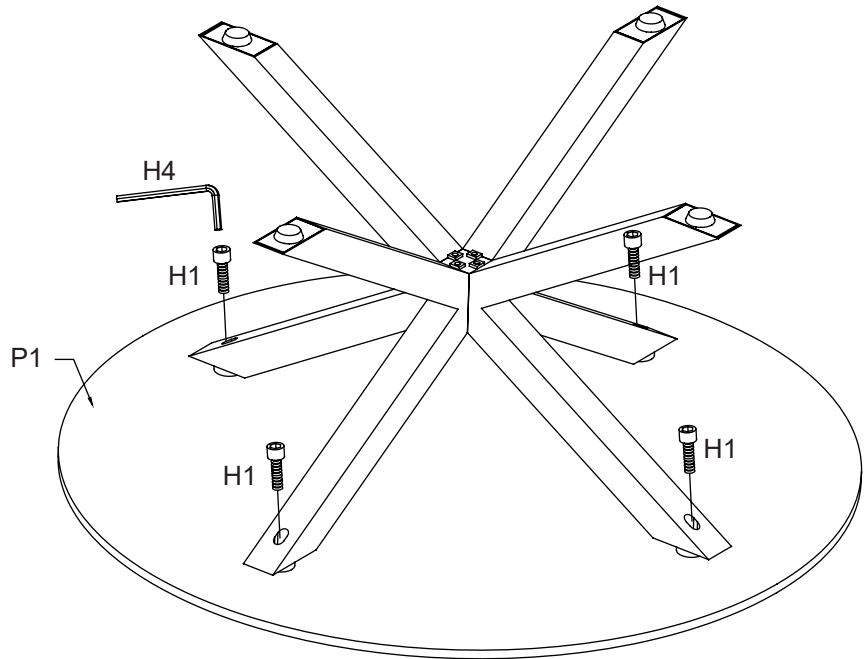
Attach rubber pads (H3) to legs (P2).
Attach legs to center block (P3)
using bolts (H2) and allen key (H5).
Be aware to only tighten bolts 80%.




Step 3

You will need	
	
4 x H1	1 x H4

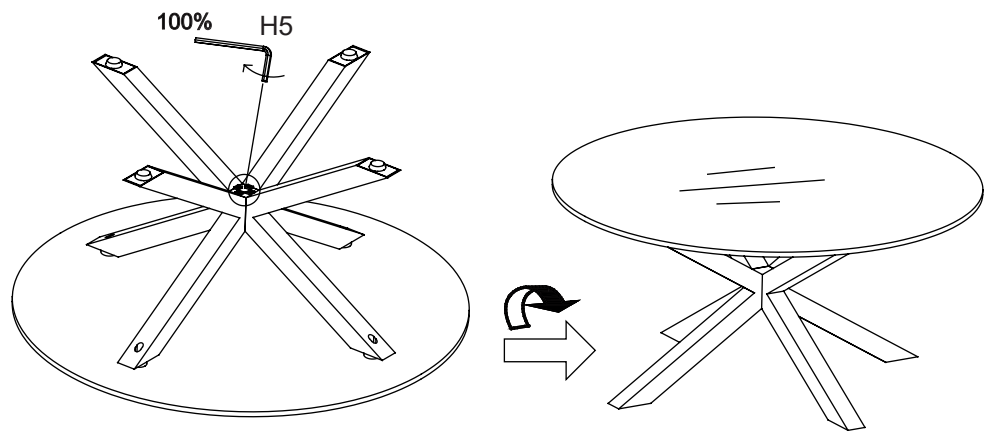
Attach bolts (H1)
using allen key (H4).



Step 4

You will need	
	
1 x H5	

Tighten bolts (H2) 100%
using allen key (H5).



Job Complete!

In the interest of our environment please dispose of all packaging thoughtfully.