

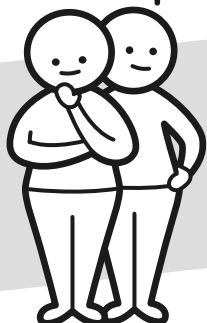


**Fantastic  
Furniture**

Version 1.1



**Two People**



**Required**

# Hayden

Desk 1 Drawer

[fantasticfurniture.com.au](http://fantasticfurniture.com.au)

# Secure it!

Reduce the risk of furniture tip-over accidents



## WARNING: ENSURE THE WALL STRAP IS ATTACHED TO AVOID SERIOUS INJURY OR DEATH.

To avoid any serious or fatal injury, a wall strap has been provided with this product to prevent toppling. We strongly recommend that this product is permanently fixed to the wall or other suitable surface. Fixing devices are not included since different surface materials require different attachments. Please seek professional advice if you are in doubt of what fixing device to use.

**Recommended Weight Capacity :60kg**

To reduce the risk of furniture tipover:



- Do not allow children to stand, climb or hang on furniture. It may topple and cause serious injury or death.

- Do not place toys or other child appealing items on top of this furniture, and place heaviest items towards the bottom of the furniture.

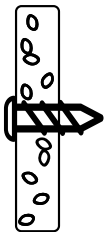
- Do not open more than one drawer at the time.



- Anchoring this product to a wall or other suitable surface is recommended. Check anchors regularly.

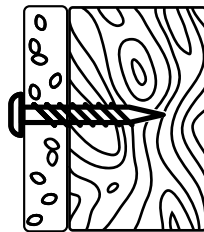
- Avoid putting a TV on this product.

## Wall attachment guide



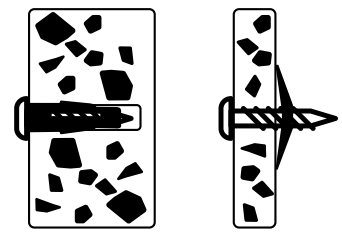
**For plasterboard**  
(without available wood stud)

**Securing method:**  
Self drilling plasterboard anchor.



**For plasterboard**  
(with available wood stud)

**Securing method:**  
Screw inserted directly into stud.



**For masonry wall**

**Securing method:**  
Solid wall: Plug with screw  
Hollow wall: Spring toggle

Please seek professional advice if you are in doubt of what fixing device to use.

# Looks like you've found your Fantastic!

We're thrilled you've chosen Fantastic Furniture  
to help create a home you'll love!



# Fantastic Furniture

## Love it? Share it!

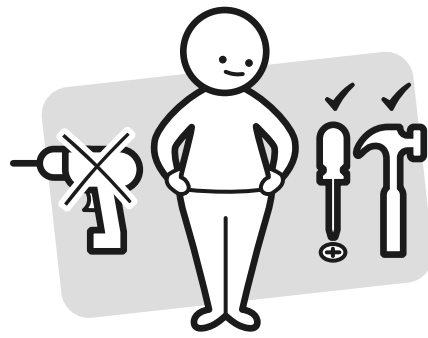
Fantastic buy! Share how it looks at home on Instagram for  
your chance to win a \$250 Fantastic Furniture Gift Card!

**@fantasticfurniture**

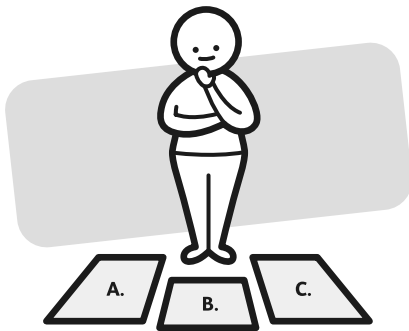
# Assembly Checklist



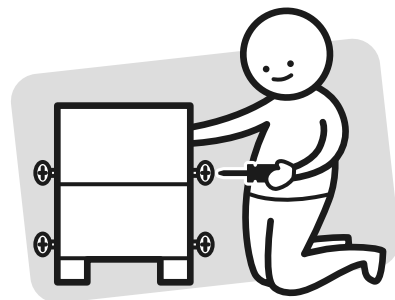
Read through the instructions carefully before you begin.



Make sure you have all the required tools. Never use power tools unless instructed.



Identify and lay out all of the components before you begin assembly.



Unless instructed, do not fully tighten screws until the item is fully assembled.

## Useful Information

- ! Never use power tools unless specifically instructed. They can damage your components or hardware if used incorrectly.
- ! The most common mistakes made during assembly are using the wrong hardware or getting components back to front.
- ! Always use a soft surface (such as carpet or cardboard) when assembling your product to avoid scratching or damaging the surface of the product.
- ! Bulky items such as wardrobes and bunk beds should be assembled in the room they will be used in as they may not fit through a door once assembled.
- ! Never use any glue until you are certain that the parts belong together.
- ! Periodically check and re-tighten all fasteners. Check the product care label or website for product care instructions.
- ! If you are having any difficulties assembling your product, missing any hardware or components please visit our website Help Centre for further assistance.
- ! Please see page 2 for any safety requirements or weight restrictions.

# What you need

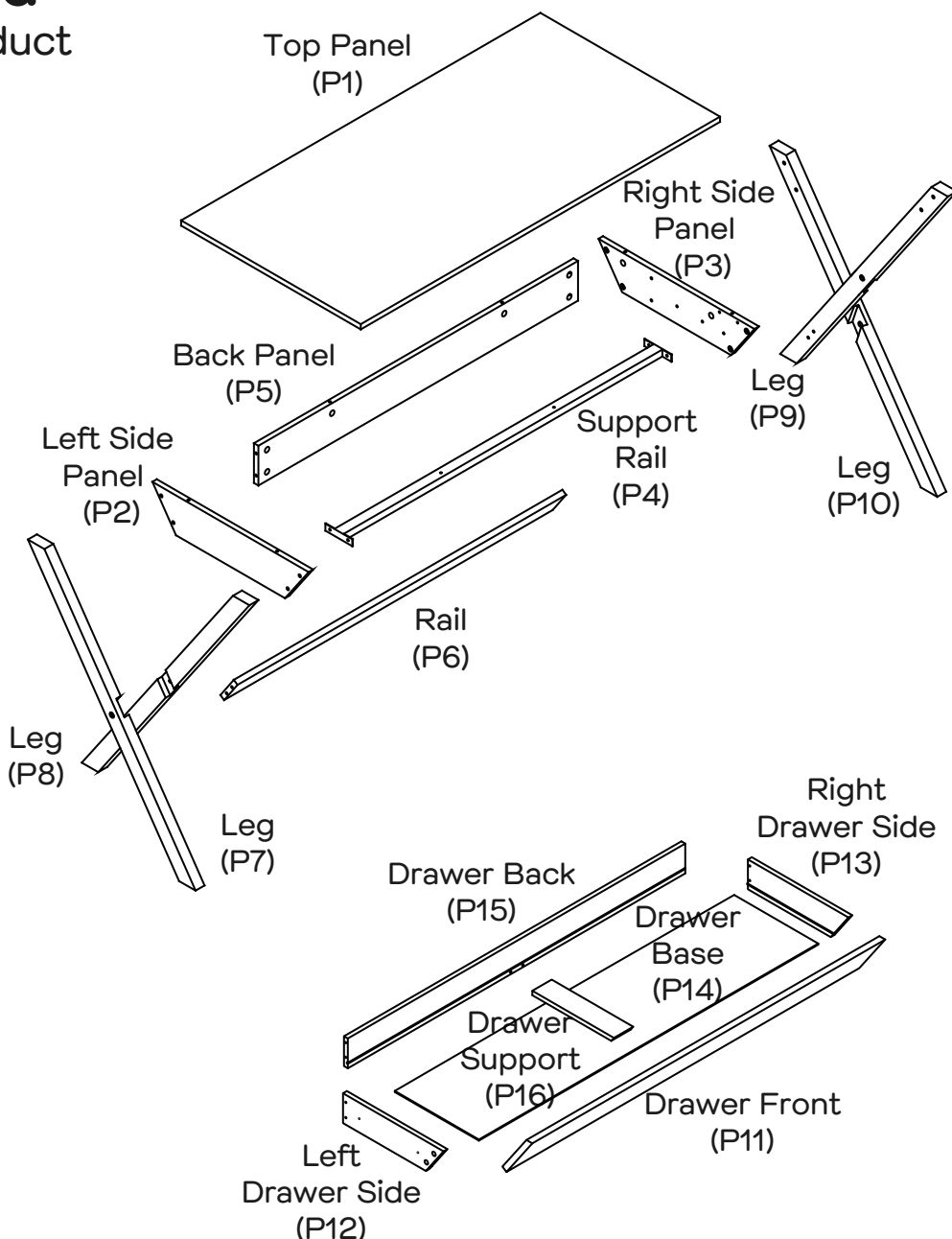
## to assemble the product



DO NOT USE



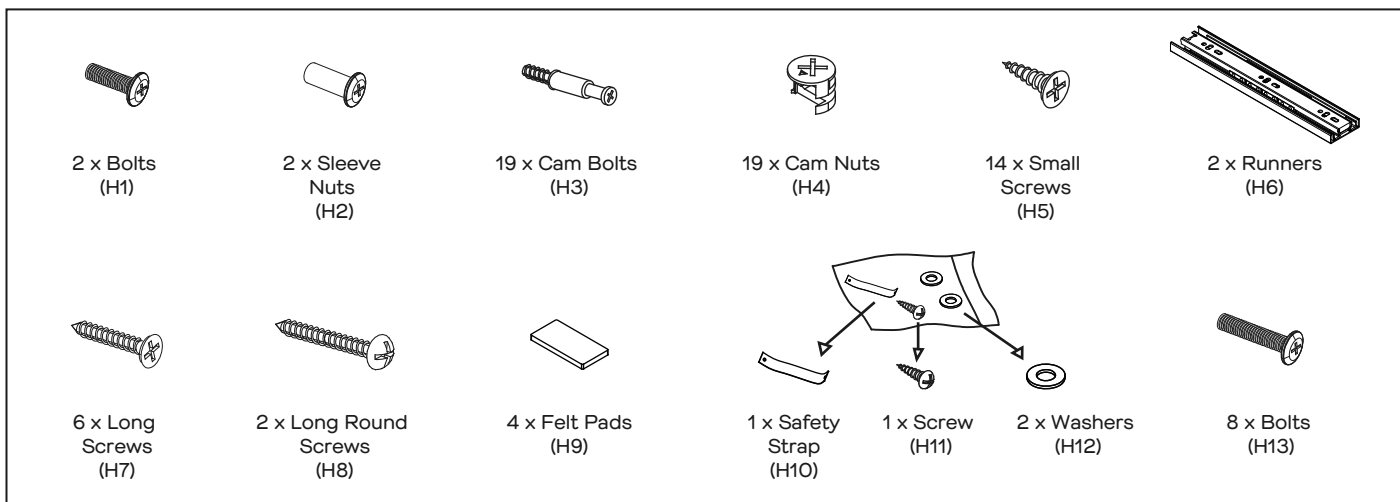
**Other tools you need:**  
Phillips head screwdriver;



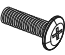
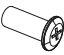
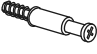

### Parts list

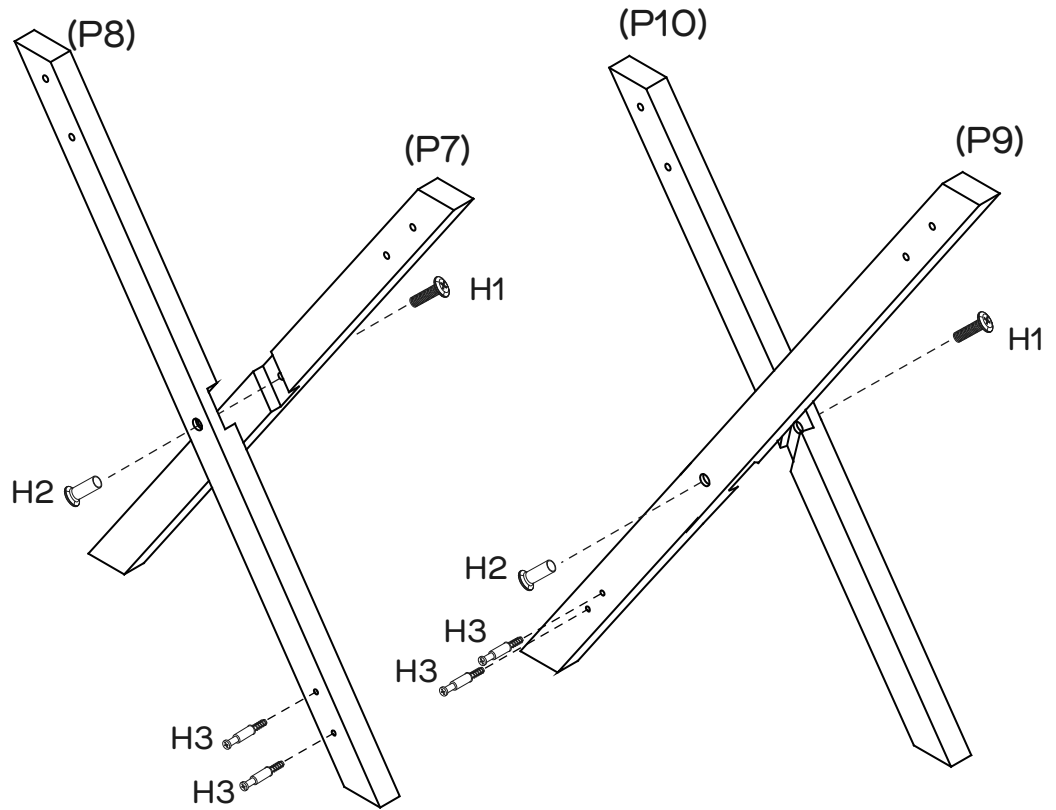
Top Panel (P1);  
Left Side Panel (P2);  
Right Side Panel (P3);  
Support Rail (P4);  
Back Panel (P5); Rail (P6);  
Leg (P7); Leg (P8);  
Leg (P9); Leg (P10);  
Drawer Front (P11);  
Left Drawer Side (P12);  
Right Drawer Side (P13);  
Drawer Base (P14);  
Drawer Back (P15);  
Drawer Support (P16);

### Hardware Pack



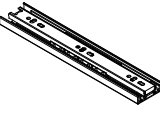
# Step 1

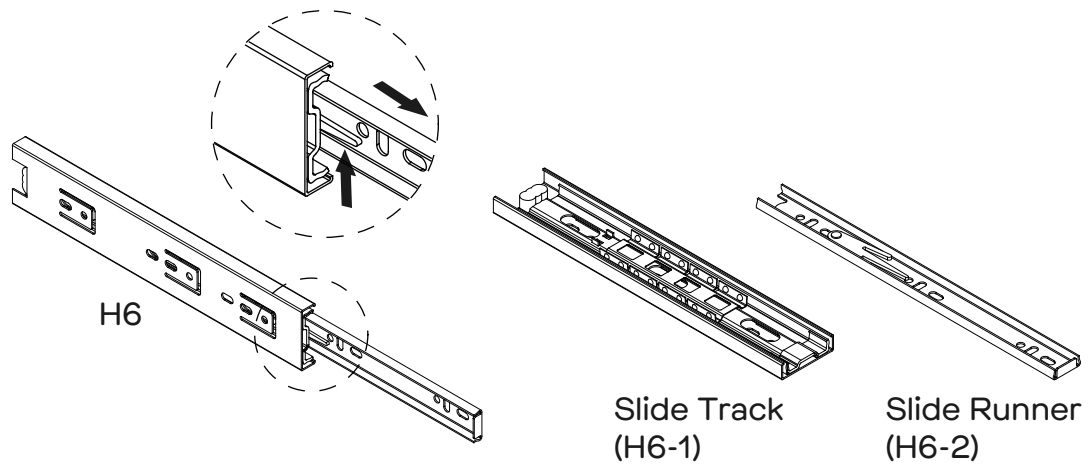
You will need	
	
2 x Bolts (H1)	2 x Sleeve Nuts (H2)
	
4 x Cam Bolts (H3)	Phillips head screwdriver



Attach leg (P7) to leg (P8) and leg (P9) to leg (P10) with 2 x bolts (H1) and 2 x sleeve nuts (H2) . Attach 4 x cam bolts (H3) into the holes of legs (P8, P9). Tighten with a Phillips head screwdriver.

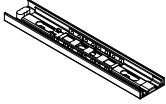

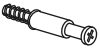

# Step 2

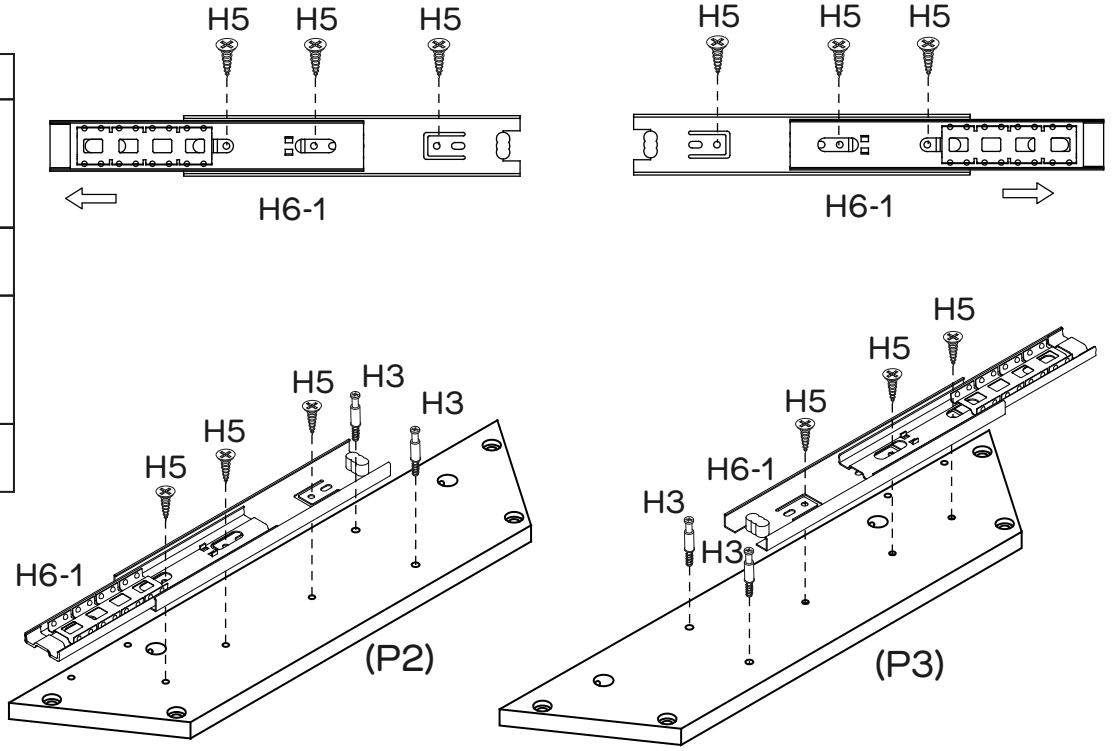
You will need	
	
2 x Runners (H6)	



Separate the 2 sets of slide runners (H6-1) and slide tracks (H6-2) from runners (H6) by following the steps below:  
 Extend the slide runner all the way forward.  
 Press the plastic release lever of the slide up and pull the slide runner (H6-2) completely out.




# Step 3

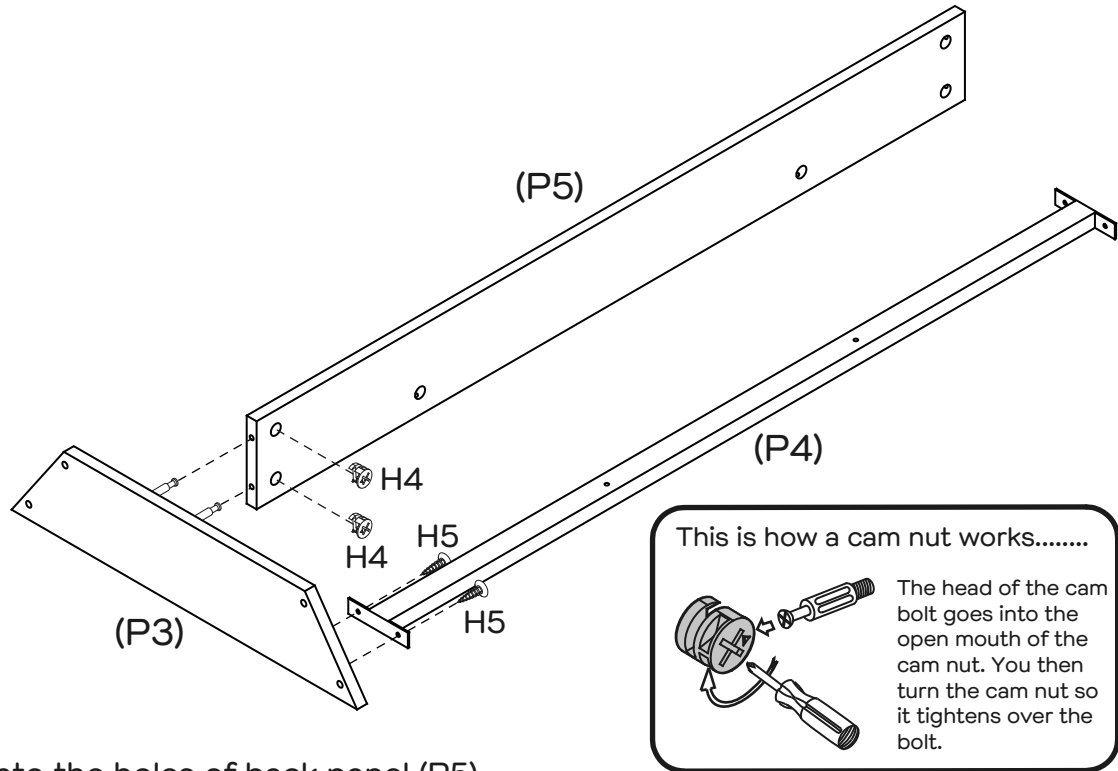
You will need	
	
2 x Slide Tracks (H6-1)	6 x Small Screws (H5)
	
4 x Cam Bolts (H3)	Phillips head screwdriver



Attach 2 x the separated slide tracks (H6-1) to side panels (P2, P3) with 6 x small screws (H5) as shown. Insert 4 x cam bolts (H3) into the holes of side panels (P2, P3). Tighten with a Phillips head screwdriver.




# Step 4

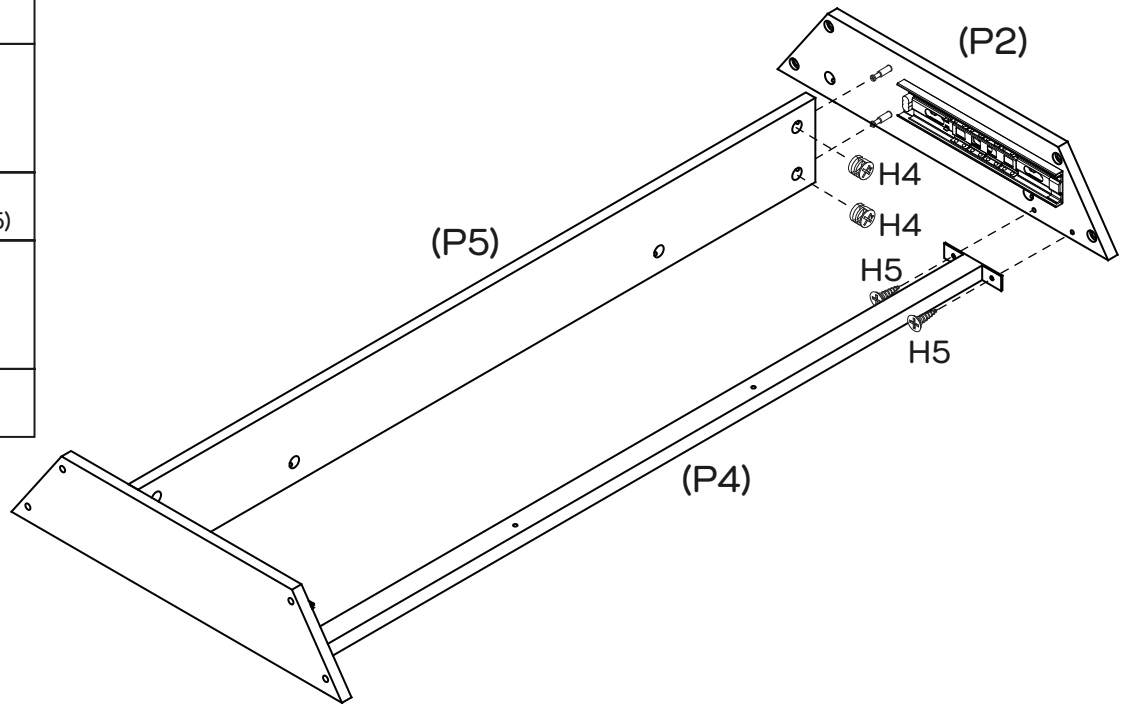
You will need	
	
2 x Cam Nuts (H4)	2 x Small Screws (H5)
	
Phillips head screwdriver	



Insert 2 x cam nuts (H4) into the holes of back panel (P5). Rotate the cam nuts so the arrows point towards the incoming cam bolts. Attach back panel (P5) to right side panel (P3), by sliding cam bolts and cam nuts into place. Tighten the cam nuts using a flat Phillips screwdriver. Attach support rail (P4) to right side panel (P3) with 2 x small screws (H5).



## Step 5

You will need	
	
2 x Cam Nuts (H4)	2 x Small Screws (H5)
	
Phillips head screwdriver	

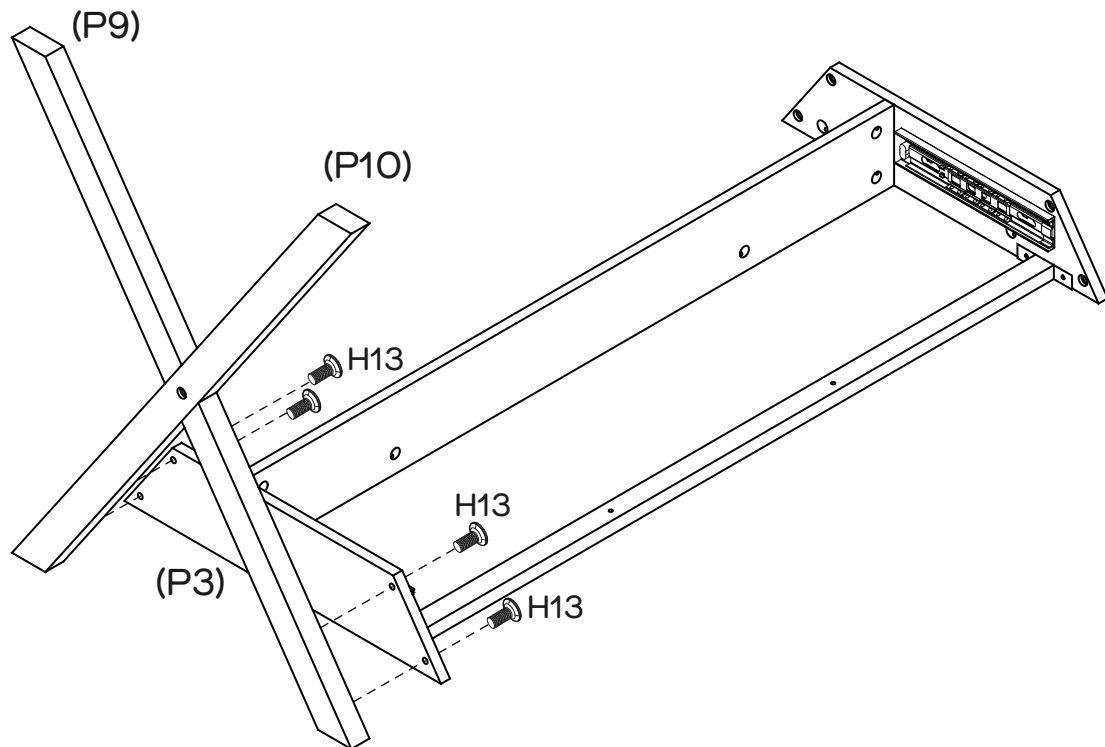
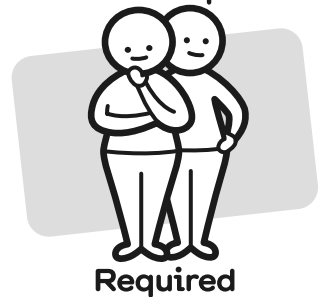


Insert 2 x cam nuts (H4) into the holes of back panel (P5). Rotate the cam nuts so the arrows point towards the incoming cam bolts. Attach left side panel (P2) into place, by sliding cam bolts and cam nuts into place. Tighten the cam nuts using a Phillips head screwdriver. Attach support rail (P4) to left side panel (P2) with 2 x small screws (H5).

## Step 6

You will need	
	
4 x Bolts (H13)	Phillips head screwdriver



**Two People**

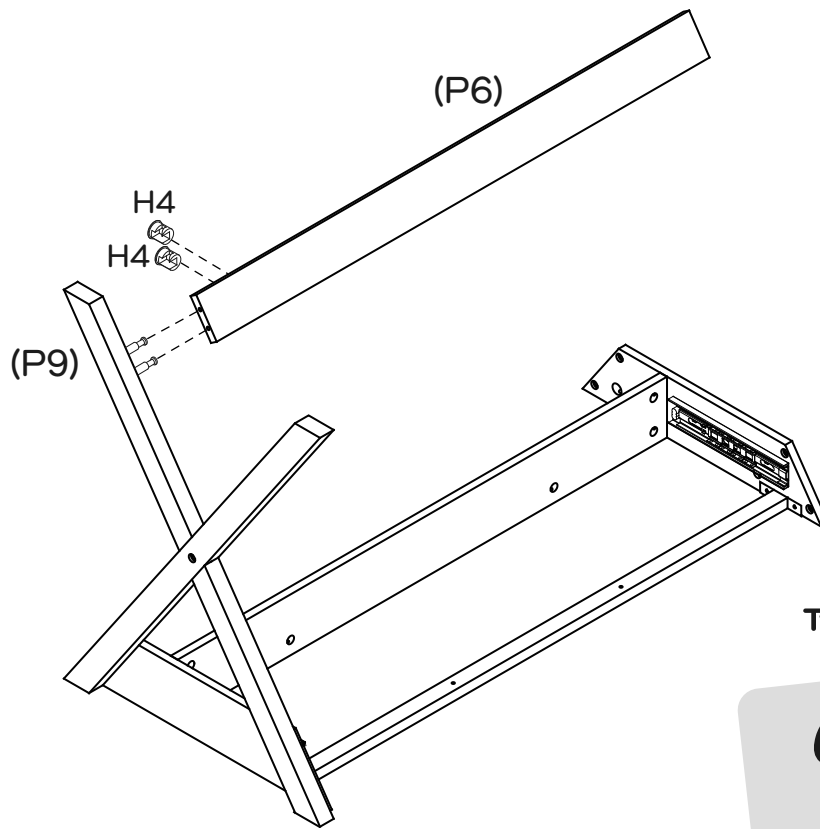


Attach legs (P9, P10) to right side panel (P3) with 4 x bolts (H13) using a Phillips head screwdriver.



## Step 7

You will need	
	
2 x Cam Nuts (H4)	Phillips head screwdriver





Two People

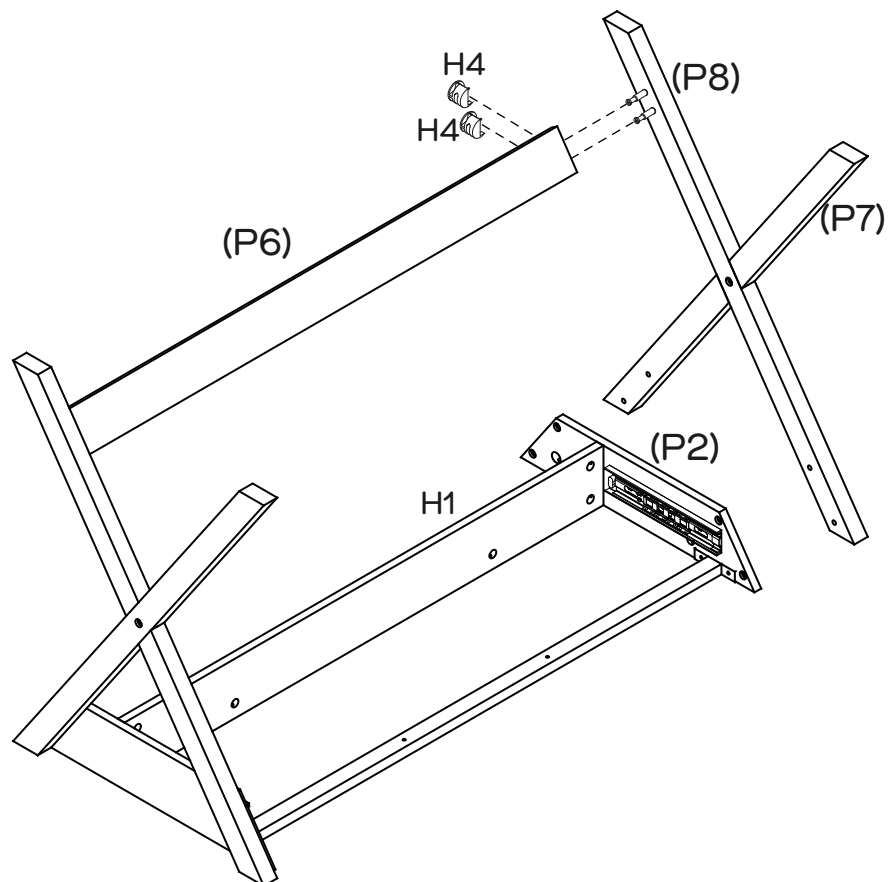


Required

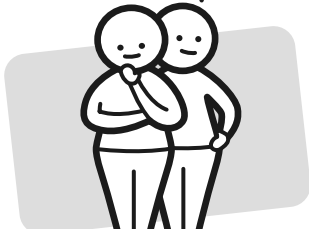
Insert 2 x cam nuts (H4) into the holes of rail (P6).  
Rotate the cam nuts so the arrows point towards the incoming cam bolts.  
Attach rail (P6) to leg (P9), by sliding cam bolts and cam nuts into place.  
Tighten the cam nuts using a Phillips head screwdriver.

## Step 8

You will need	
	
2 x Cam Nuts (H4)	Phillips head screwdriver



Two People

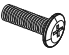



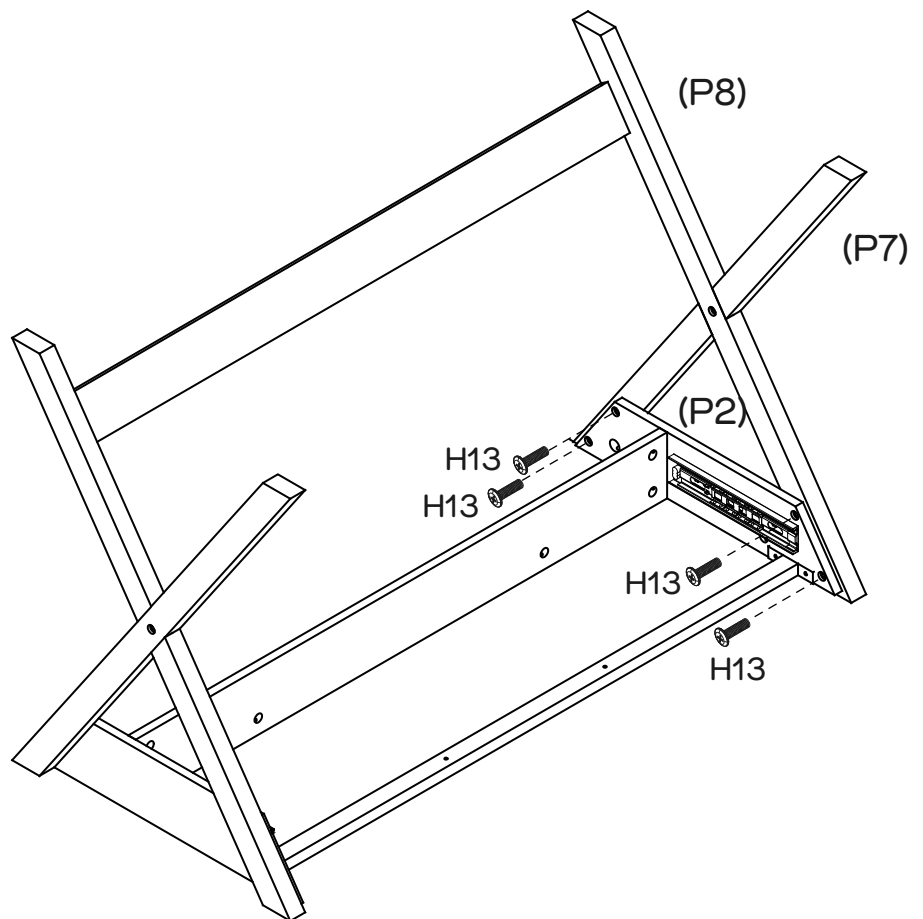
Required

Insert 2 x cam nuts (H4) into the holes of rail (P6).  
Rotate the cam nuts so the arrows point towards the incoming cam bolts.  
Attach leg (P8) to rail (P6), by sliding cam bolts and cam nuts into place.  
Tighten the cam nuts using a Phillips head screwdriver.

[fantasticfurniture.com.au](http://fantasticfurniture.com.au)



## Step 9

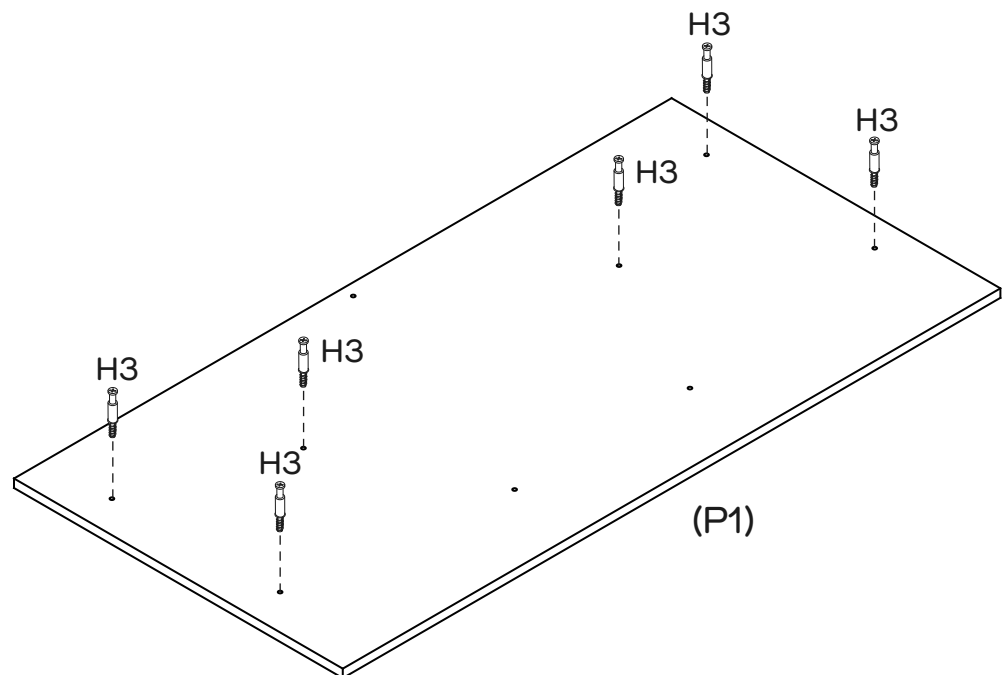
You will need	
	
4 x Bolts (H13)	Phillips head screwdriver



Attach legs (P7, P8) to left side panel (P2) with 4 x bolts (H13) using a Phillips head screwdriver.



## Step 10

You will need	
	
6 x Cam Bolts (H3)	Phillips head screwdriver

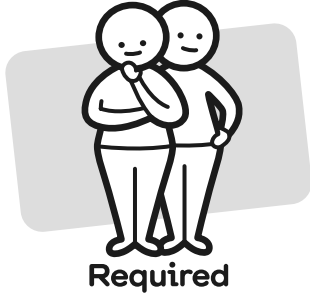


Insert 6 x cam bolts (H3) into the holes of top panel (P1) as shown. Tighten with a Phillips head screwdriver.

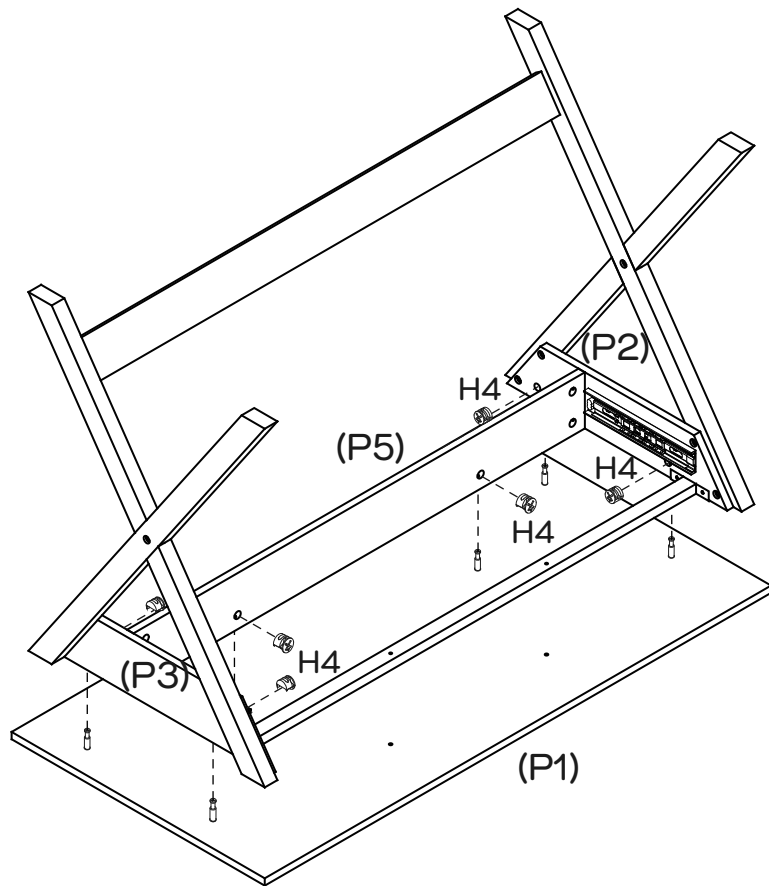
## Step 11

You will need	
	
6 x Cam Nuts (H4)	Phillips head screwdriver

Two People


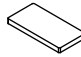



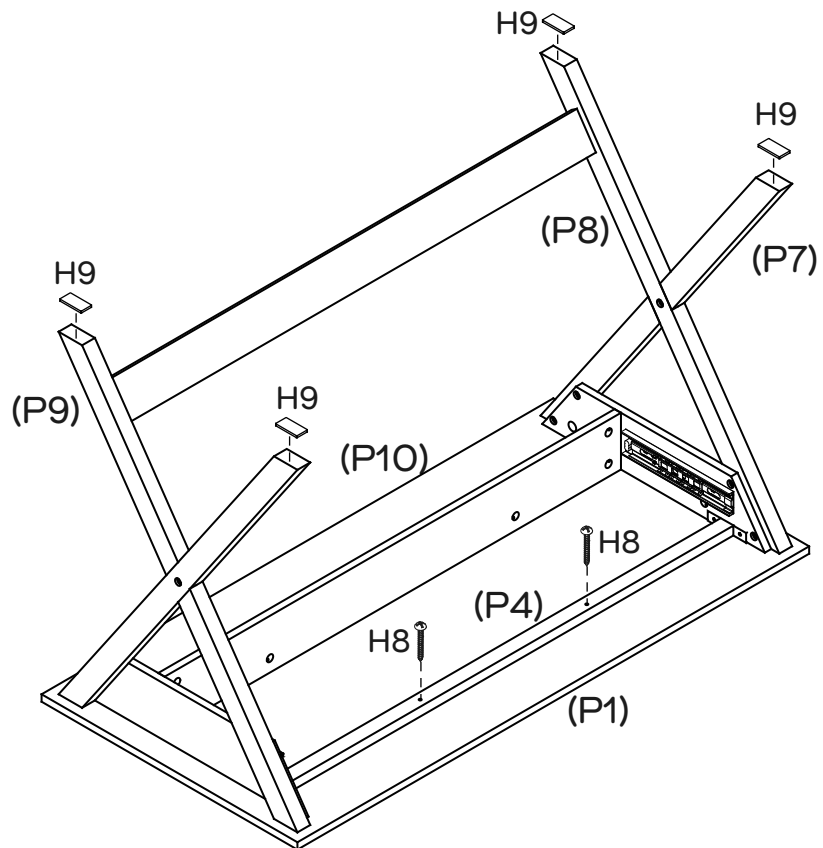
Required



Insert 6 x cam nuts (H4) into the holes of back panel (P5) and side panel (P2, P3). Rotate the cam nuts so the arrows point towards the incoming cam bolts. Attach back panel (P5) and side panel (P2, P3) to top panel (P1), by sliding cam bolts and cam nuts into place. Tighten the cam nuts with a Phillips head screwdriver.



## Step 12

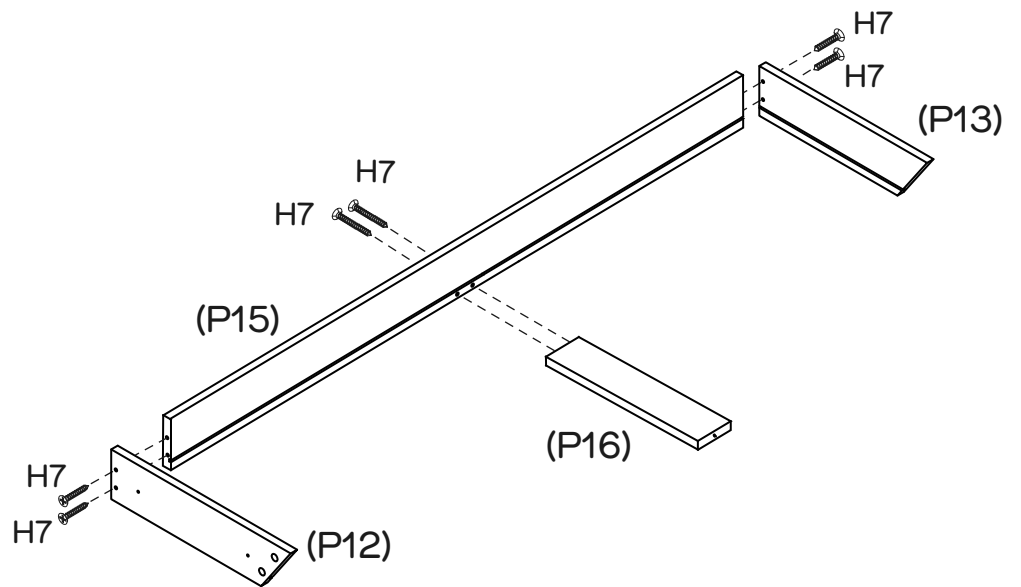
You will need	
	
2 x Long Round Screws (H8)	4 x Felt Pads (H9)
	
Phillips head screwdriver	



Attach support rail (P4) to top panel (P1) with 2 x long round screws (H8). Tighten the screws with a Phillips head screwdriver. Apply 4 x felt pads (H9) to bottom of legs (P7, P8, P9, P10) as shown.

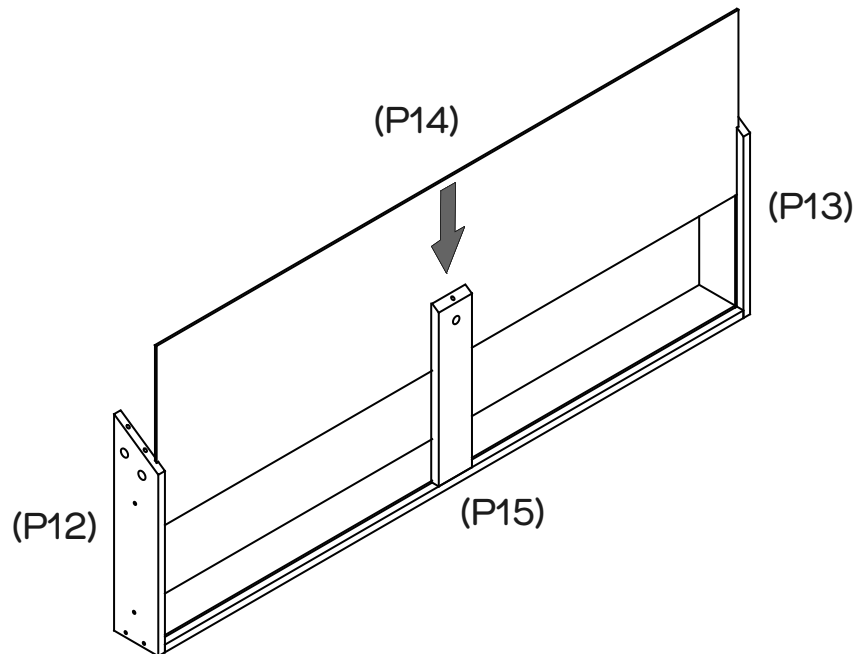
## Step 13

You will need	
	
6 x Long Screws (H7)	Phillips head screwdriver





Attach drawer sides (P12, P13) and drawer support (P16) to drawer back (P15) with 6 x long screws (H7) using a Phillips head screwdriver.

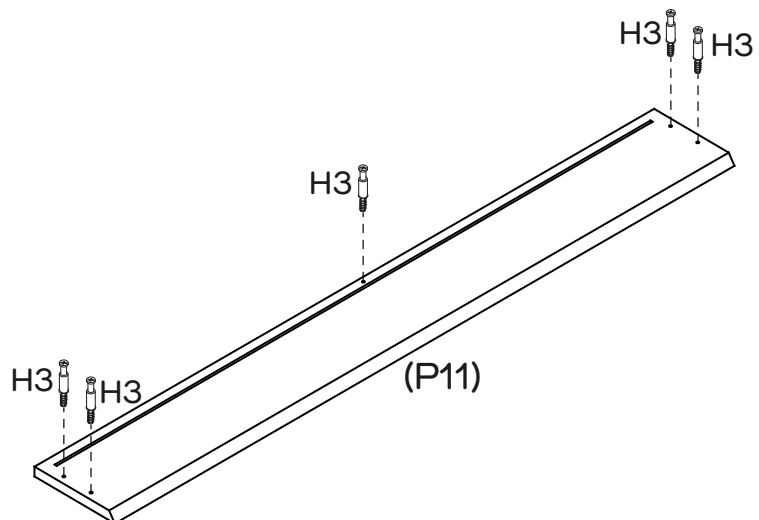
## Step 14



Slide drawer base (P14) in through the grooves on drawer sides (P12, P13).



## Step 15

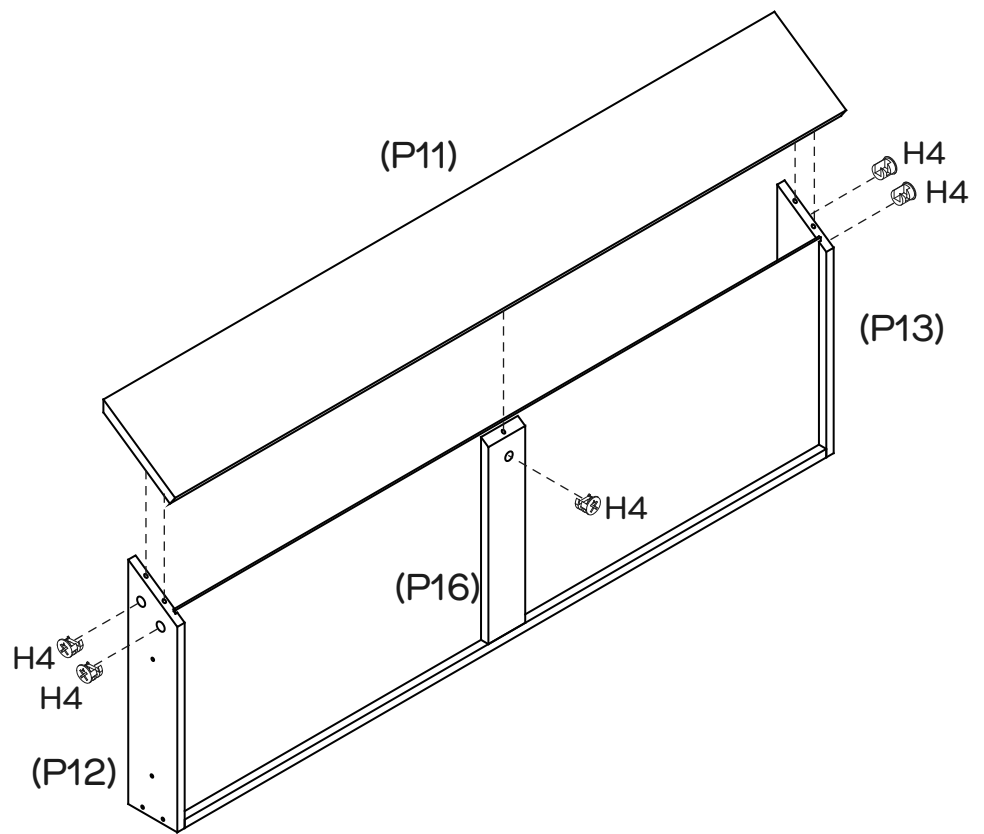
You will need	
	
5 x Cam Bolts (H3)	Phillips head screwdriver



Screw 5 x cam bolts (H3) into drawer front (P11) with a Phillips head screwdriver.




## Step 16

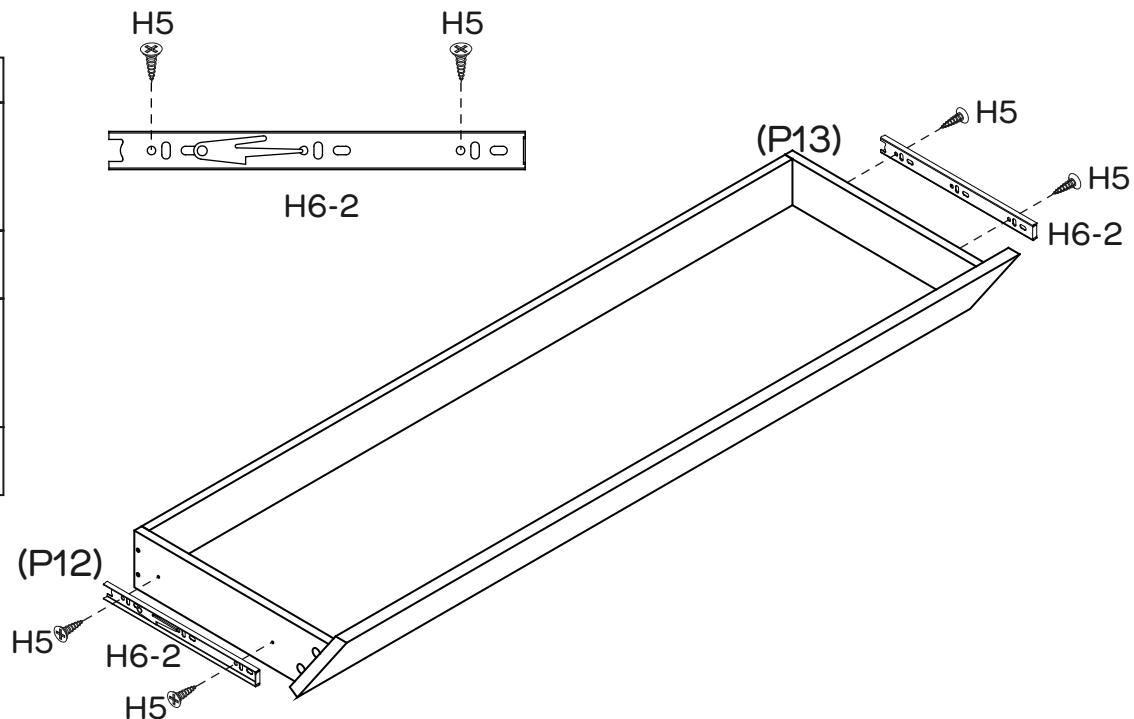
You will need	
	
5 x Cam Nuts (H4)	Phillips head screwdriver



Insert 5 x cam nuts (H4) into the holes of drawer sides (P12, P13) and drawer support (P16). Rotate the cam nuts so the arrows point towards the incoming cam bolts. Attach drawer front (P11) to drawer sides (P12, P13) and drawer support (P16), by sliding cam bolts and cam nuts into place. Tighten the cam nuts using a Phillips head screwdriver.

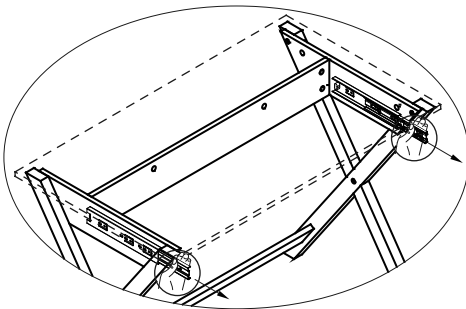
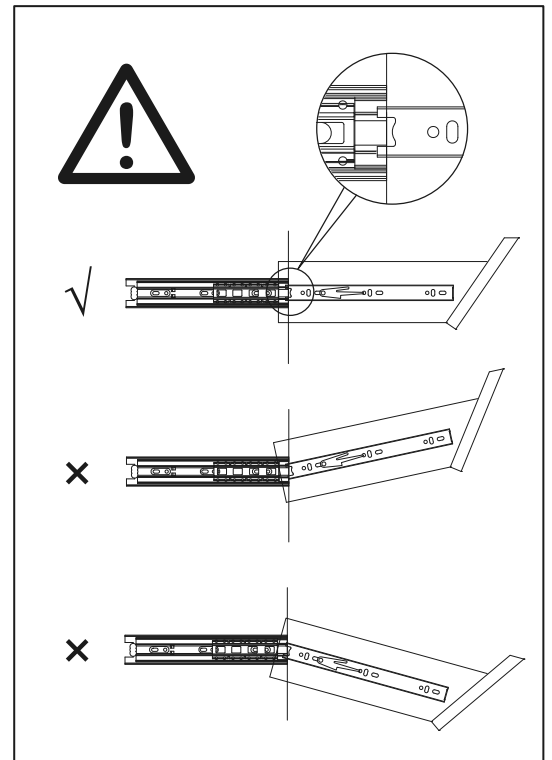
## Step 17

You will need	
	
2 x Slide Runners (H6-2)	4 x Small Screws (H5)
	
Phillips head screwdriver	

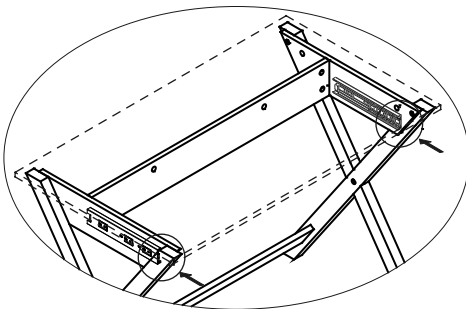
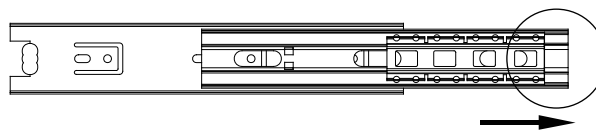


Attach 2 x slide runners (H6-2) to drawer sides (P12, 13) with 4 x small screws (H5). Tighten the screws using a Phillips head screwdriver.

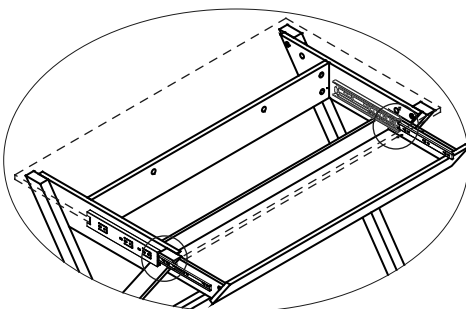
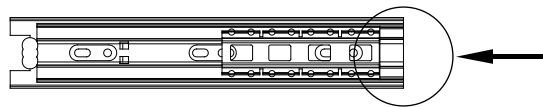
# Step 18



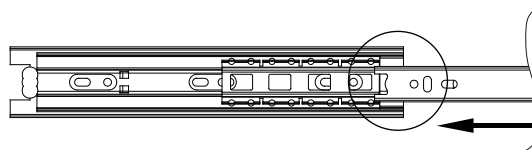
Move inner ball bearing track outward.



Push middle track in.



Gently insert slide runner into ball bearing track.



**Two People**


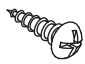




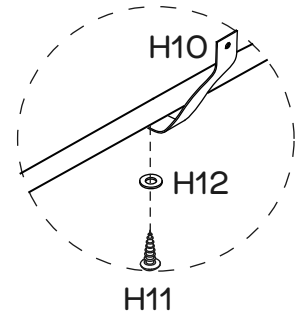
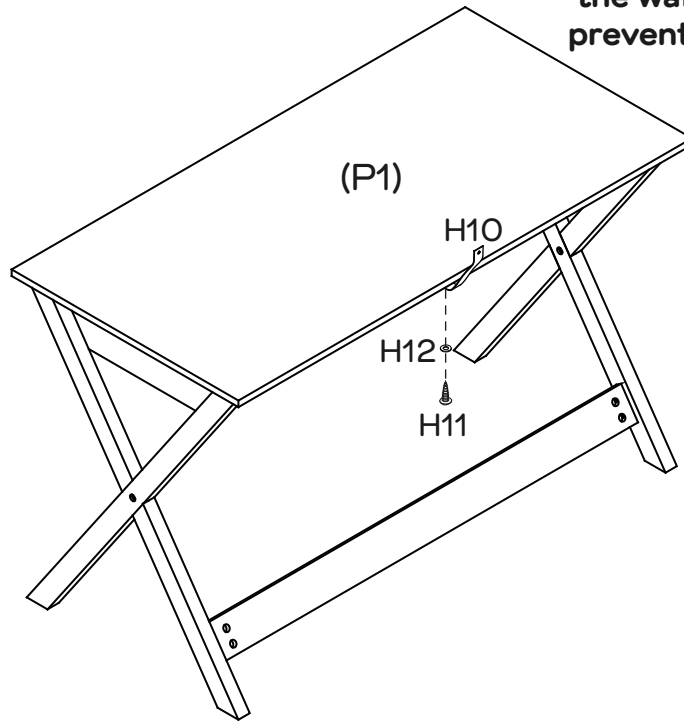
**Required**

It needs two people: carefully turn the table over to an upright position. Position drawer so that slide runner (H6-2) aligns with slide track (H6-1) as shown. Gently push drawer into the closed position.

## Step 19

We strongly advise that you use the wall safety strap provided to prevent the unit toppling



You will need	
	
1 x Safety Strap (H10)	1 x Screw (H11)
	
1 x Washer (H12)	Phillips head screwdriver

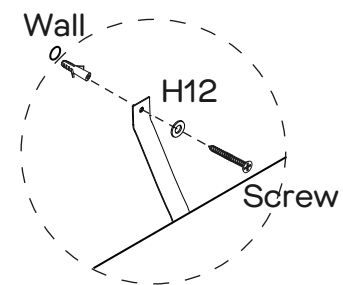
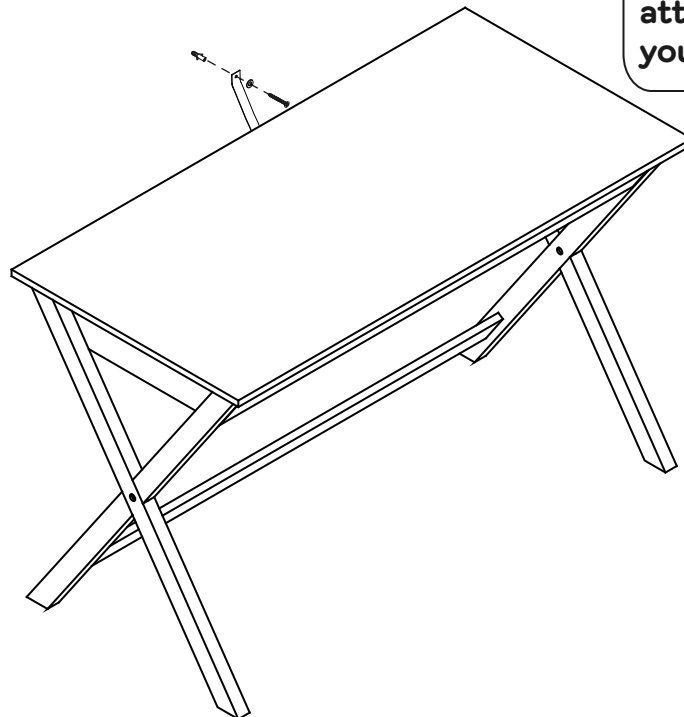


Use screw (H11) and washer (H12) to attach safety strap (H10) securely on top panel (P1) as shown.

## Step 20

Seek advice from a qualified trades person on how to attach this safety strap to your specific wall.

You will need	
	
1 x Washer (H12)	Phillips head screwdriver
Screw and Wall Plug are not provided. Please use appropriate fixtures for your wall.	



Move the table to the final position, and attach the safety strap to the wall securely. Make sure it is firmly attached.

# Job Complete!

In the interest of our environment please dispose of all packaging thoughtfully.