



**Fantastic
Furniture**

Version 1.0



Darian

Chair 1 Str

fantasticfurniture.com.au

Caution

Do not stand on, or use this chair as a step ladder.

Use this product for seating one person at a time.

This product should be checked periodically to ensure all components are secure and all hardware is tight.

Recommended weight capacity: 120kg

Looks like you've found your Fantastic!

We're thrilled you've chosen Fantastic Furniture
to help create a home you'll love!



Fantastic Furniture

Love it? Share it!

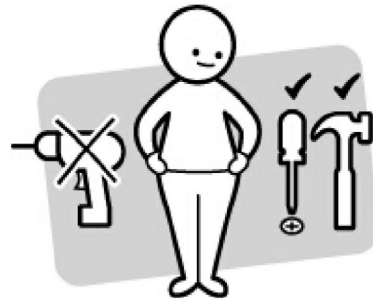
Fantastic buy! Share how it looks at home on Instagram for
your chance to win a \$250 Fantastic Furniture Gift Card!

@fantasticfurniture

Assembly checklist



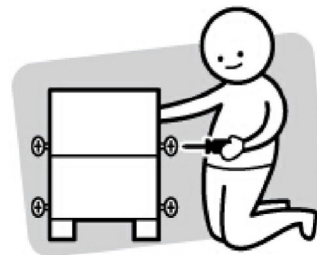
Read through the instructions carefully before you begin.



Make sure you have all the required tools. Never use power tools unless instructed.



Identify and lay out all of the components before you begin assembly.



Unless instructed, do not fully tighten screws until the item is fully assembled.

Useful Informaion

- ! Never use power tools unless specifically instructed. They can damage your components or hardware if used incorrectly.
- ! The most common mistakes made during assembly are using the wrong hardware or getting components back to front.
- ! Always use a soft surface (such as carpet or cardboard) when assembling your product to avoid scratching or damaging the product.
- ! Bulky items such as wardrobes and bunk beds should be assembled in the room they will be used in as they may not fit through a door once assembled.
- ! Never use any glue until you are certain that the parts belong together.
- ! Periodically check and re-tighten all fasteners. Check the product care label or website for product care instructions.
- ! If you are having any difficulties assembling your product, missing any hardware or components please visit our website Help Centre for further assistance.
- ! Please see page 2 for any safety requirements or weight restrictions.



**Fantastic
Furniture**

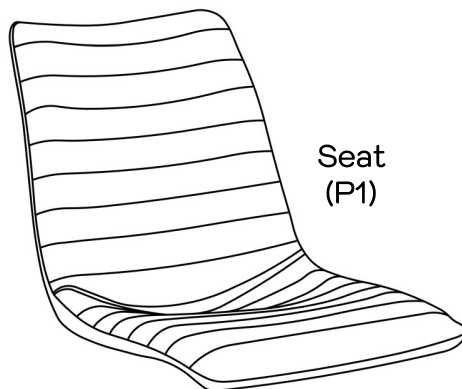
Page 3

What you need

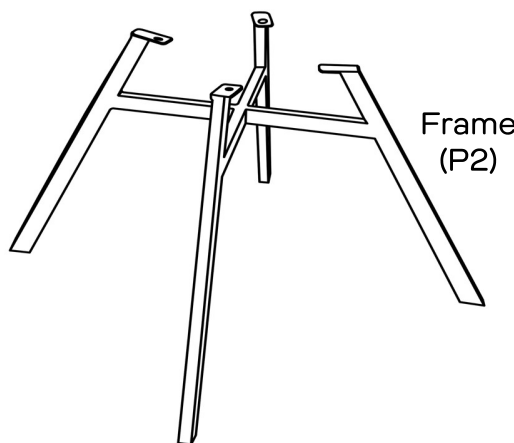
to assemble the product



DO NOT USE

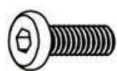


Seat
(P1)



Frame
(P2)

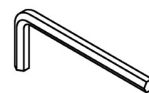
Hardware Pack



4 x Bolts
(H1)

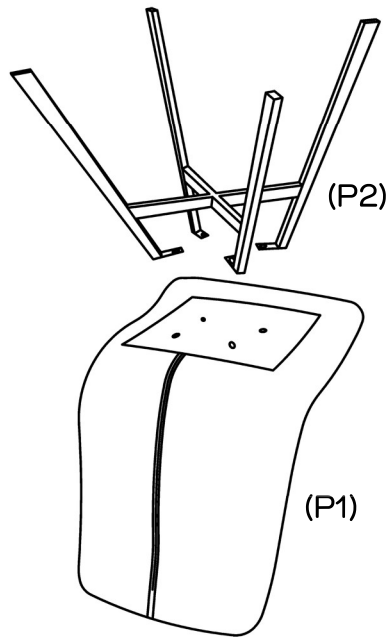


4 x Washers
(H2)






1 x Allen Key
(H3)

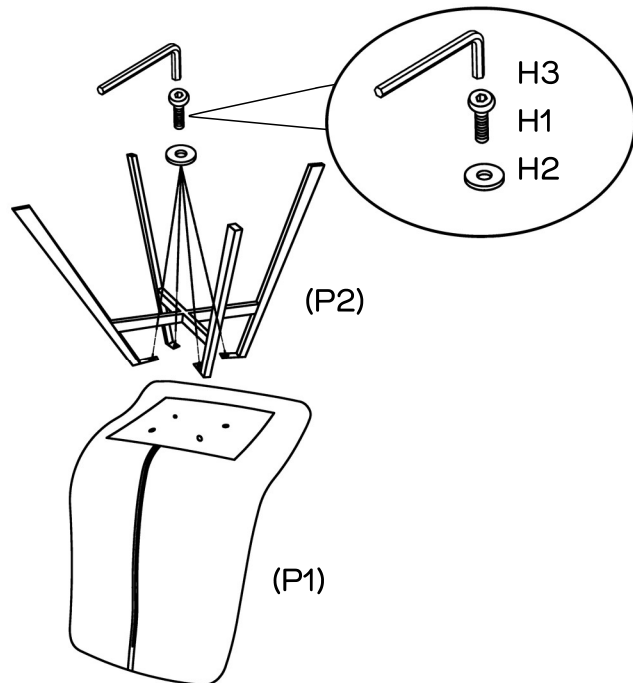
Step 1



Place seat (P1) on a soft covered surface.
Position frame (P2) onto seat (P1).

Step 2

What you need	
4 x Bolts (H1)	
4 x Washers (H2)	
1 x Alley Key (H3)	



Align the holes on frame (P2) to the pre-drilled holes on seat (P1).
Attach frame (P2) using 4 x bolts (H1) and 4 x washers (H2),
fully tightening with the allen key (H3).
Carefully turn the chair over.



Job Complete!

In the interest of our environment please dispose of all packaging thoughtfully.