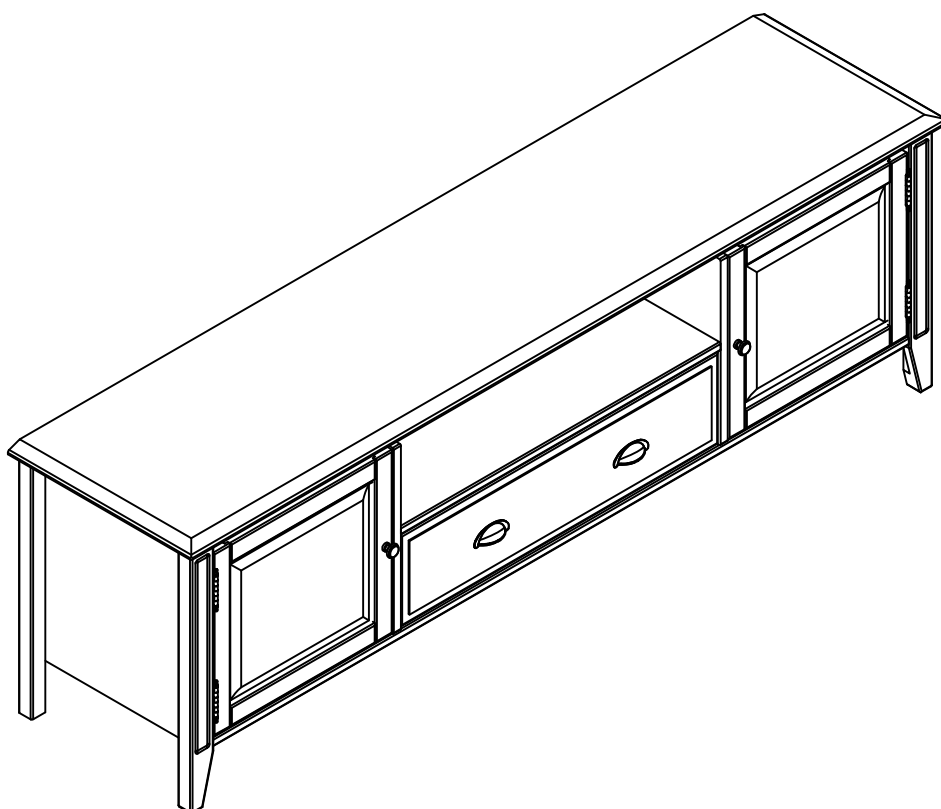


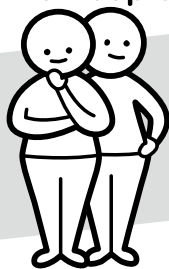


**Fantastic
Furniture**

Version 1.2



Two People



Required

Torkay

Lowline 1900mm White Walnut

fantasticfurniture.com.au

Secure it!

Preventing furniture tip-over accidents



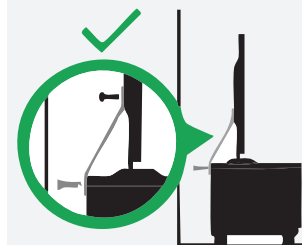
WARNING: ENSURE THE WALL STRAP IS ATTACHED TO AVOID SERIOUS INJURY.

To avoid any serious or fatal injury, this product has been supplied with a wall strap to prevent toppling. We strongly recommend that this product is permanently fixed to the wall or other suitable surface. Connecting attachments for your wall are not included since different surface materials require different attachments. Please seek professional advice if you are in doubt of what wall connections to use.

⚠ WARNING

Children have died from furniture tipover.

- ALWAYS secure your television with an anchor device.
- NEVER allow children to stand, climb or hang on drawers, doors, or shelves.

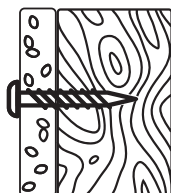


Wall anchoring guide



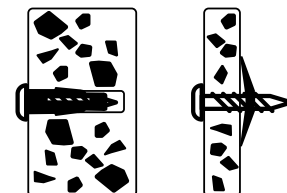
For plasterboard
(without available wood stud)

Securing method:
Self drilling plasterboard anchor.



For plasterboard
(with available wood stud)

Securing method:
Screw inserted directly into stud.



For masonry wall

Securing method:
Solid wall: Plug with screw
Hollow wall: Spring toggle

Please seek professional advice if you are in doubt of what fixing device to use.

Assembly checklist



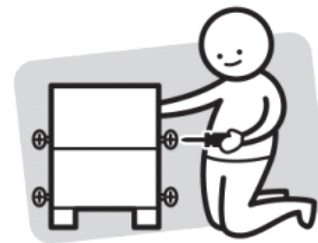
Read through the instructions carefully before you begin.



Make sure you have all the required tools. Never use power tools unless instructed.



Identify and lay out all of the components before you begin assembly.



Unless instructed, do not fully tighten screws until the item is fully assembled.

Useful Information

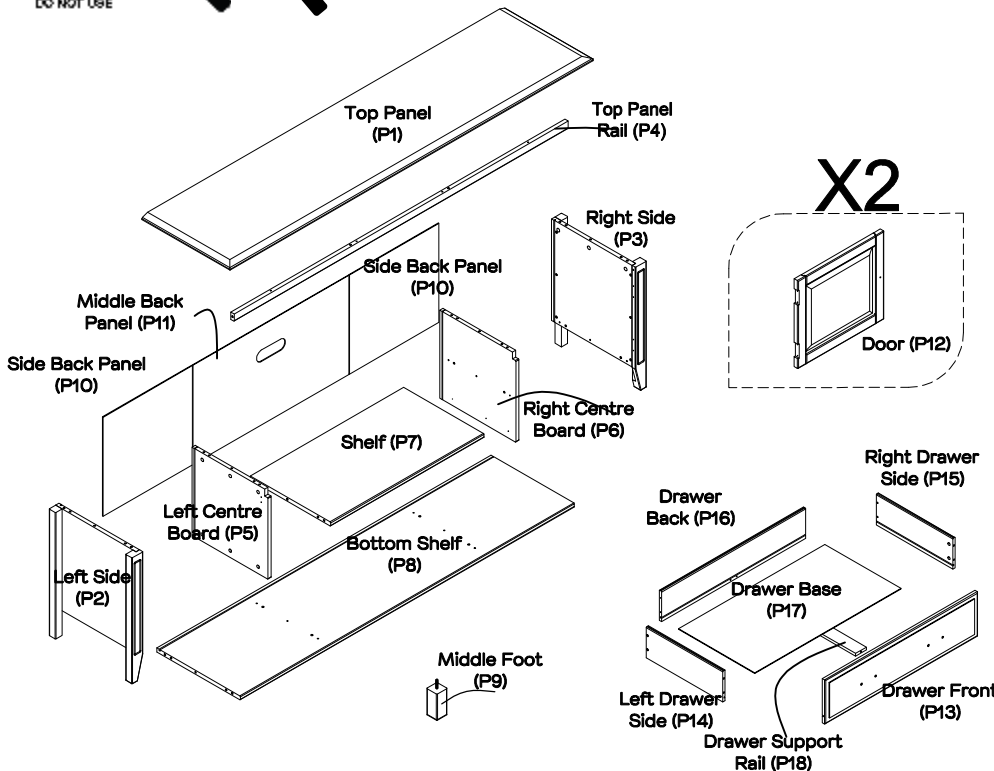
- ! Never use power tools unless specifically instructed. They can damage your components or hardware if used incorrectly.
- ! The most common mistakes made during assembly are using the wrong hardware or getting components back to front.
- ! Always use a soft surface (such as carpet or cardboard) when assembling your product to avoid scratching or damaging the surface of the product.
- ! Bulky items such as wardrobes and bunk bed should be assembled in the room they will be used in as they may not fit through a door once assembled.
- ! Never use any glue until you are certain that the parts belong together.
- ! Periodically check and re-tighten all fasteners. Check the product care label or website for product care instructions.
- ! If you are having any difficulties assembling your product, missing any hardware or components please visit our website Help Centre for further assistance.
- ! Please see page 2 for any safety requirements or weight restrictions.

What you Need

To assemble the product



(Other Tools You Need)
Phillips Head Screwdriver
Mallet (soft headed)



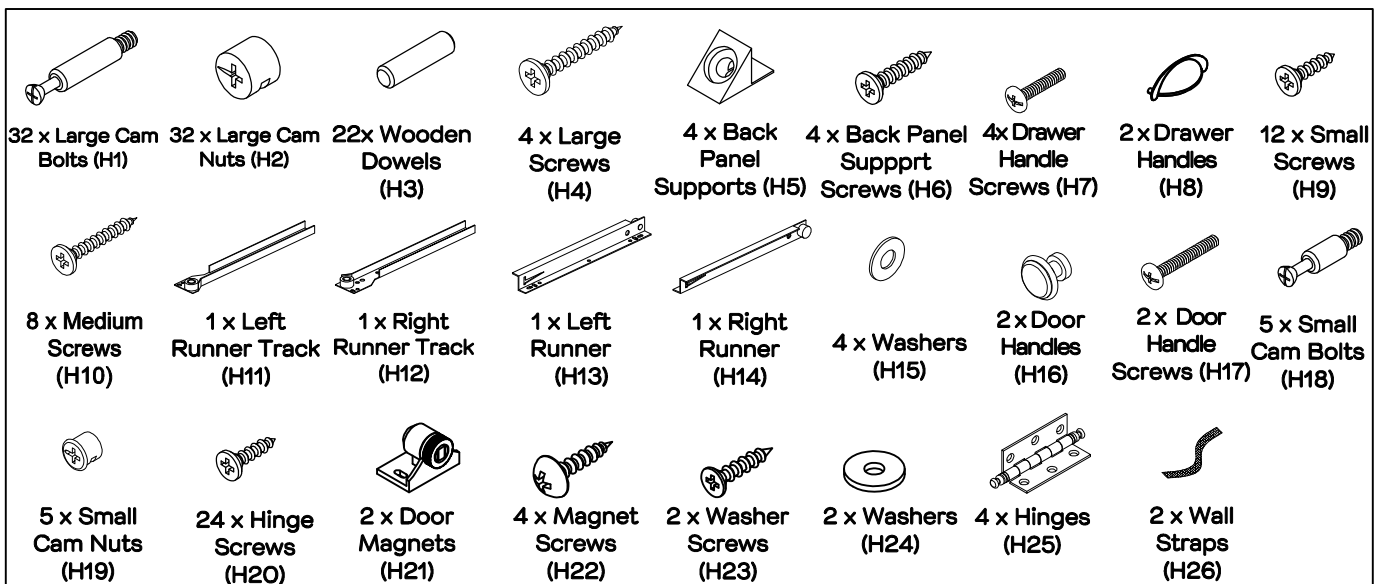
Part List

Carton 1:

- 1 x Left Side (P2);
- 1 x Right Side (P3);
- 1 x Left Centre Board (P5);
- 1 x Right Centre Board (P6);
- 1 x Middle Shelf (P7);
- 1 x Middle Foot (P9);
- 2 x Side Back Panels (P10);
- 1 x Middle Back Panel (P11);
- 2 x Doors (P12);
- 1 x Drawer Front (P13);
- 1 x Left Drawer Side (P14);
- 1 x Right Drawer Side (P15);
- 1 x Drawer Back (P16);
- 1 x Drawer Base (P17);
- 1 x Drawer Support Rail (P18);

Carton 2:

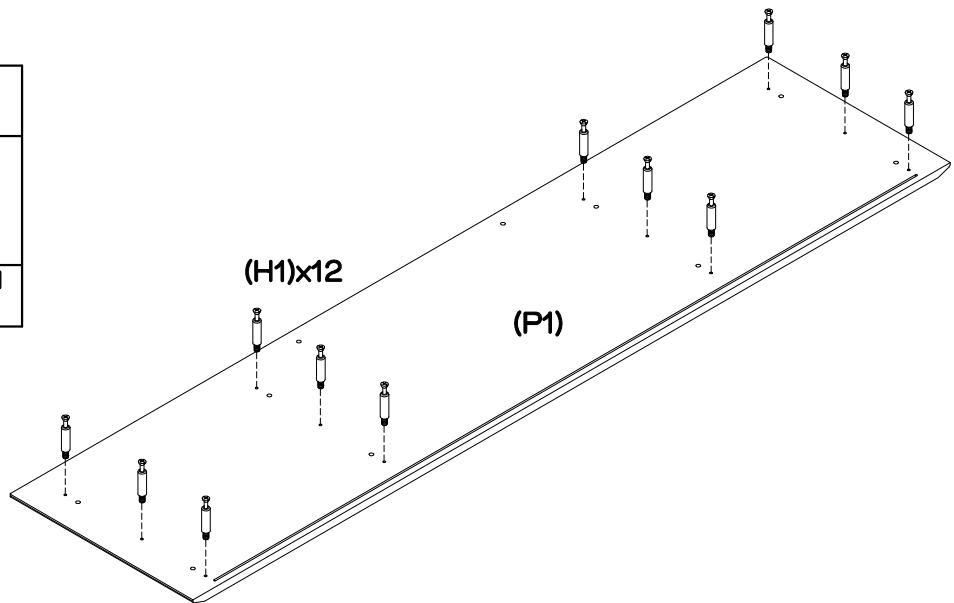
- 1 x Top Panel (P1);
- 1 x Top Panel Rail (P4);
- 1 x Bottom Shelf (P8)



Please make sure you have all these parts before you start.
fantasticfurniture.com.au

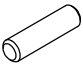

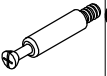

Step 1

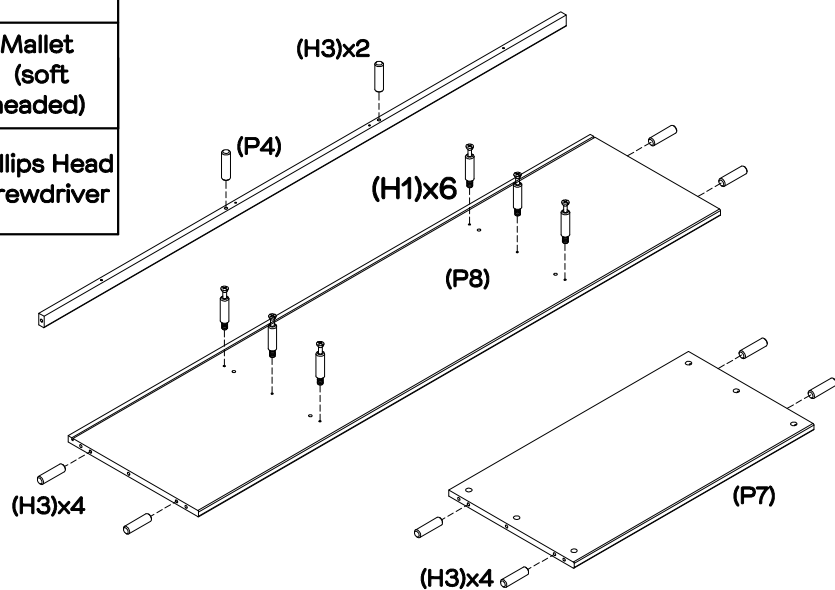
You will need:	
	
12 x Large Cam Bolts (H1)	Phillips Head Screwdriver



Attach 12 x large cam bolts (H1) to top panel (P1) using a phillips head screwdriver.

Step 2


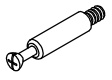
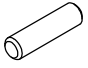

You will need:			
	10 x Wooden Dowels (H3)		Mallet (soft headed)
	6 x Large Cam Bolts (H1)		Phillips Head Screwdriver

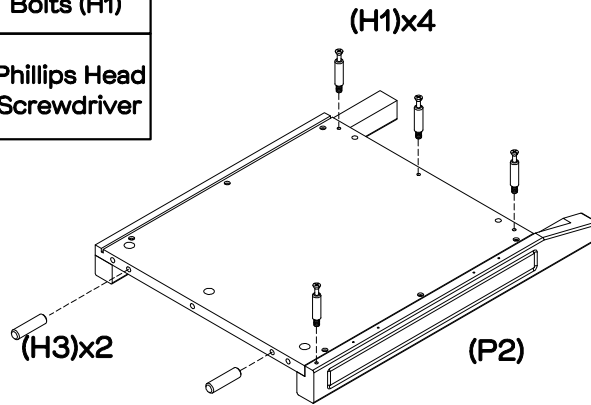


Insert 10 x wooden dowels (H3) into top panel rail (P4), bottom shelf (P8) and middle shelf (P7) . Attach 6 x large cam bolts (H1) to bottom shelf (P8), using a phillips head screwdriver.

fantasticfurniture.com.au


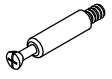
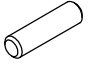

Step 3

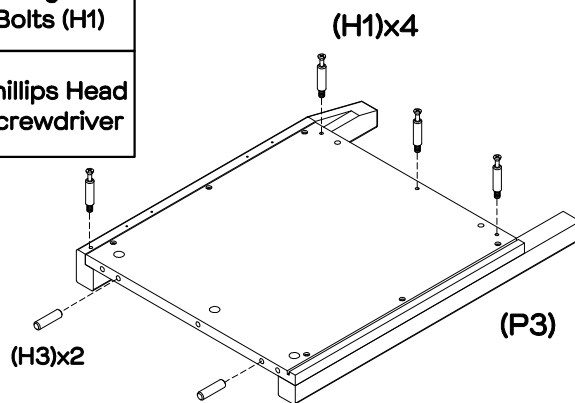
You will need:			
	Mallet (soft headed)		4 x Large Cam Bolts (H1)
	2 x Wooden Dowels (H3)		Phillips Head Screwdriver



Insert 2 x wooden dowels (H3) into left side (P2).
Attach 4 x large cam bolts (H1) to left side (P2) using a phillips head screwdriver.



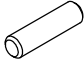

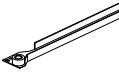
Step 4

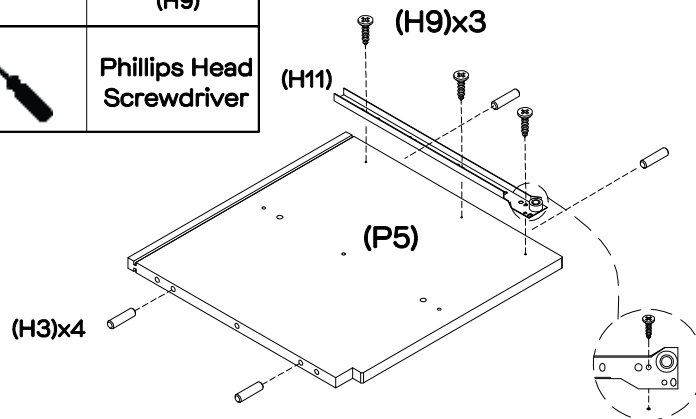
You will need:			
	Mallet (soft headed)		4 x Large Cam Bolts (H1)
	2 x Wooden Dowels (H3)		Phillips Head Screwdriver



Insert 2 x wooden dowels (H3) into right side (P3).
Attach 4 x large cam bolts (H1) to right side (P3) using a phillips head screwdriver.

Step 5

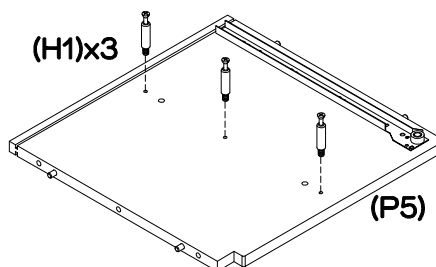
You will need:			
	Mallet (soft headed)		3 x Small Screws (H9)
	4 x Wooden Dowels (H3)		Phillips Head Screwdriver
	1 x Left Runner Track (H11)		



Insert 4 x wooden dowels (H3) into left centre board (P5).
Attach 1 x left runner track (H11) to left centre board (P5) using 3 x small screws (H9), tightening with a phillips head screwdriver. Ensure you insert the the screws (H9) into the holes on the track (H11) as shown.


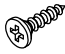
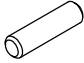

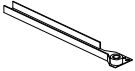
Step 6

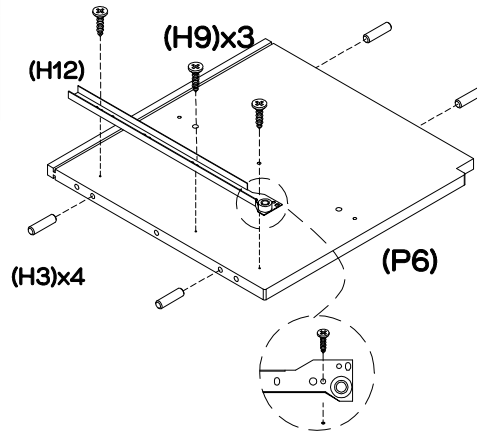
You will need:	
	
Phillips Head Screwdriver	3 x Large Cam Bolts (H1)



Attach 3 x large cam bolts (H1) to left centre board (P5) using a phillips head screwdriver.

Step 7

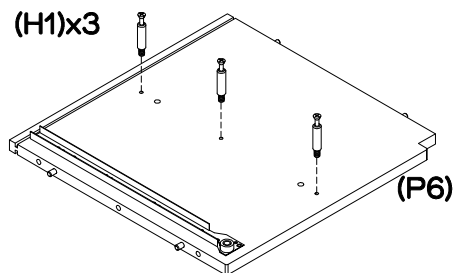
You will need:			
	Mallet (soft headed)		3 x Small Screws (H9)
	4 x Wooden Dowels (H3)		Phillips Head Screwdriver
	1 x Right Runner Track (H12)		



Insert 4 x wooden dowels (H3) into right centre board (P6). Attach 1 x right runner track (H12) to right centre board (P6) using 3 x small screws (H9), tightening with a phillips head screwdriver. Ensure you insert the the screws (H9) into the holes on the track (H12) as shown.

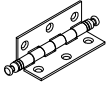
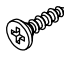

Step 8

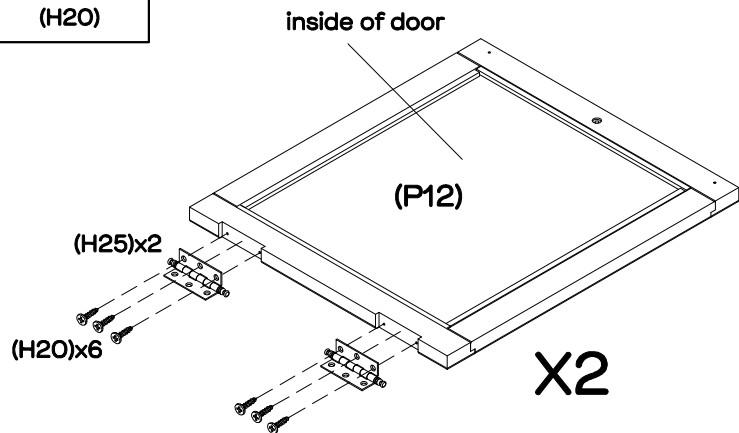
You will need:	
	
Phillips Head Screwdriver	3 x Large Cam Bolts (H1)



Attach 3 x large cam bolts (H1) to right centre board (P6) using a phillips head screwdriver.



Step 9

You will need:			
	4 x Hinges (H25)		12 x Hinge Screws (H20)
	Phillips Head Screwdriver		

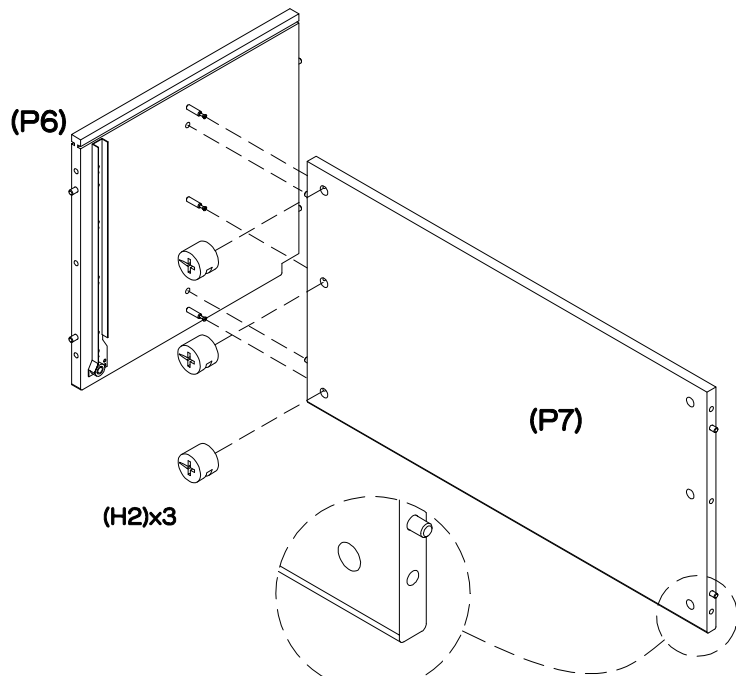
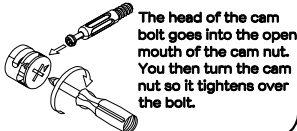


Attach 2 x hinges (H25) to 1 x door (P12) with 6 x hinge screws (H20), tightening with a phillips head screwdriver. Repeat process for the other door (P12).

Step 10

You will need:	
	
3 x Large Cam Nuts (H2)	Phillips Head Screwdriver

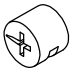

This is how a cam nut works.....

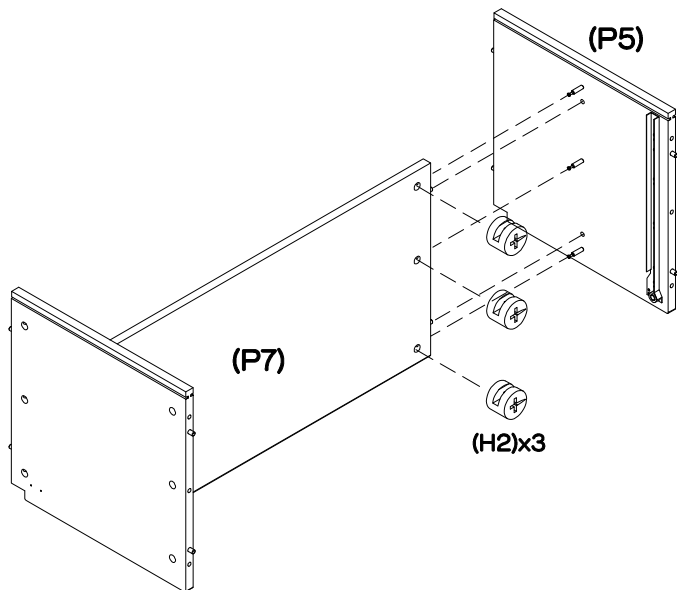
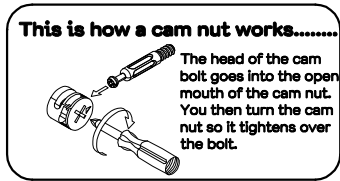


Attach middle shelf (P7) to the right centre board (P6). Insert 3 x large cam nuts (H2) into the middle shelf (P7) as shown, ensuring the arrow on the cam nuts (H2) face the incoming cam bolts.

Using a phillips head screwdriver, turn the large cam nuts (H2) clockwise to lock.

Step 11

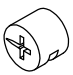

You will need:	
	
3 x Large Cam Nuts (H2)	Phillips Head Screwdriver

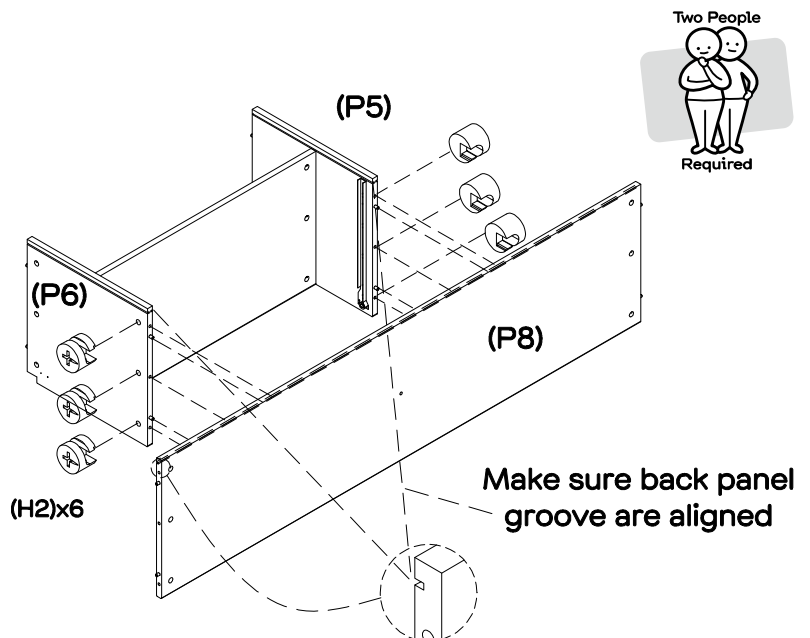
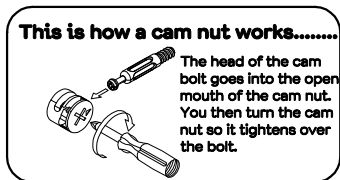


Attach shelf (P7) to the left centre board (P5). Insert 3 x large cam nuts (H2) into the middle shelf (P7) as shown, ensuring the arrow on the cam nuts (H2) face the incoming cam bolts.

Using a phillips head screwdriver, turn the large cam nuts (H2) clockwise to lock.

Step 12

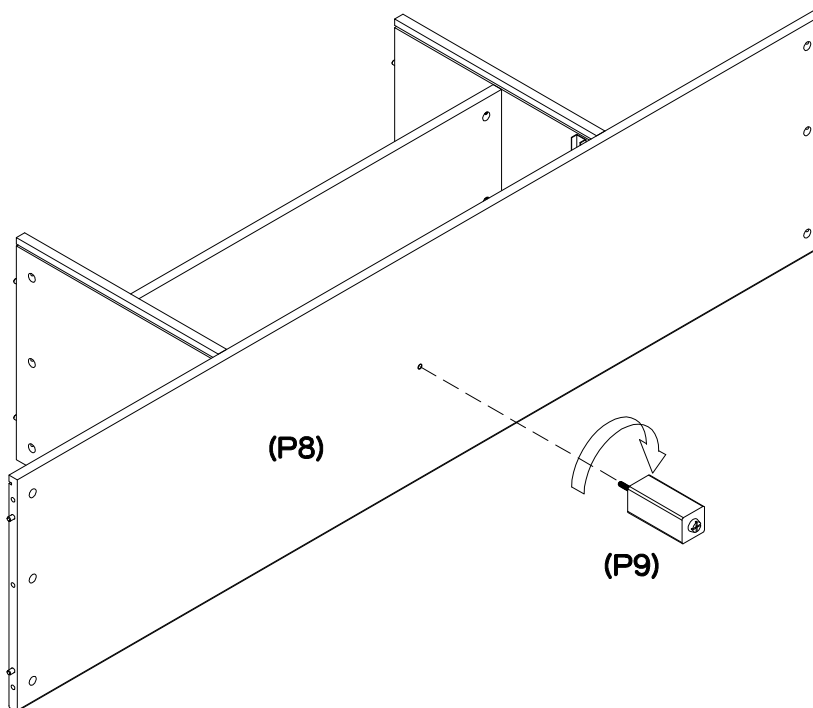
You will need:	
	
6 x Large Cam Nuts (H2)	Phillips Head Screwdriver



With assistance, attach the bottom shelf (P8) to the centre boards (P5, P6). Insert 6 x large cam nuts (H2) into the centre boards (P5, P6), ensuring the arrows on the large cam nuts (H2) point towards the incoming cam bolts.

Using a phillips head screwdriver, turn the large cam nuts (H2) clockwise to lock.

Step 13



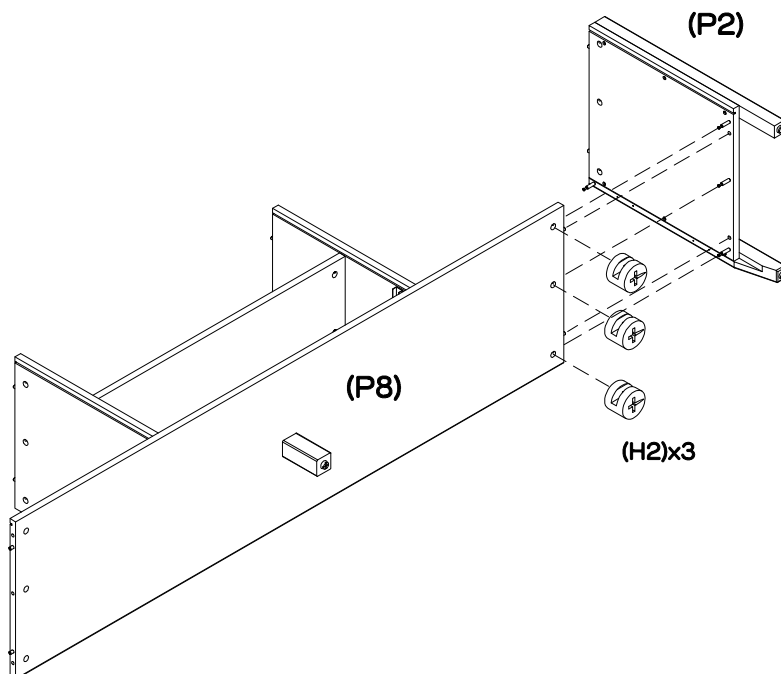
Attach middle foot (P9) to bottom shelf (P8) by turning clockwise as shown.

Step 14

You will need:	
3 x Large Cam Nuts (H2)	Phillips Head Screwdriver

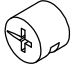

This is how a cam nut works.....

The head of the cam bolt goes into the open mouth of the cam nut. You then turn the cam nut so it tightens over the bolt.

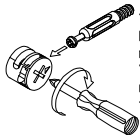


Attach left side (P2) to the unit as shown. Insert 3 x large cam nuts (H2) into the bottom shelf (P8), ensuring the arrows on the large cam nuts (H2) face incoming cam bolts. Using a phillips head screwdriver, turn large cam nuts (H2) clockwise to lock.

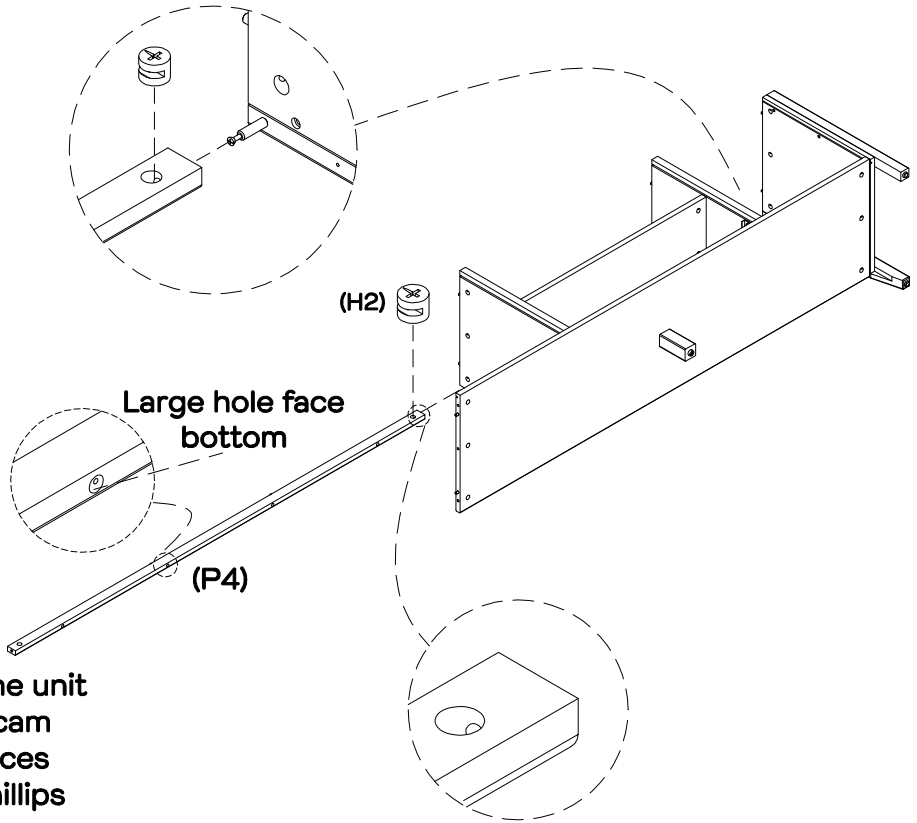
Step 15

You will need:	
	
1 x Large Cam Nuts (H2)	Phillips Head Screwdriver

This is how a cam nut works.....




The head of the cam bolt goes into the open mouth of the cam nut. You then turn the cam nut so it tightens over the bolt.




Attach top panel rail (P4) to the unit as shown and insert 1 x large cam nut (H2), ensuring the arrow faces incoming cam bolt. Using a phillips head screwdriver, rotate large cam nut (H2) clockwise to lock.

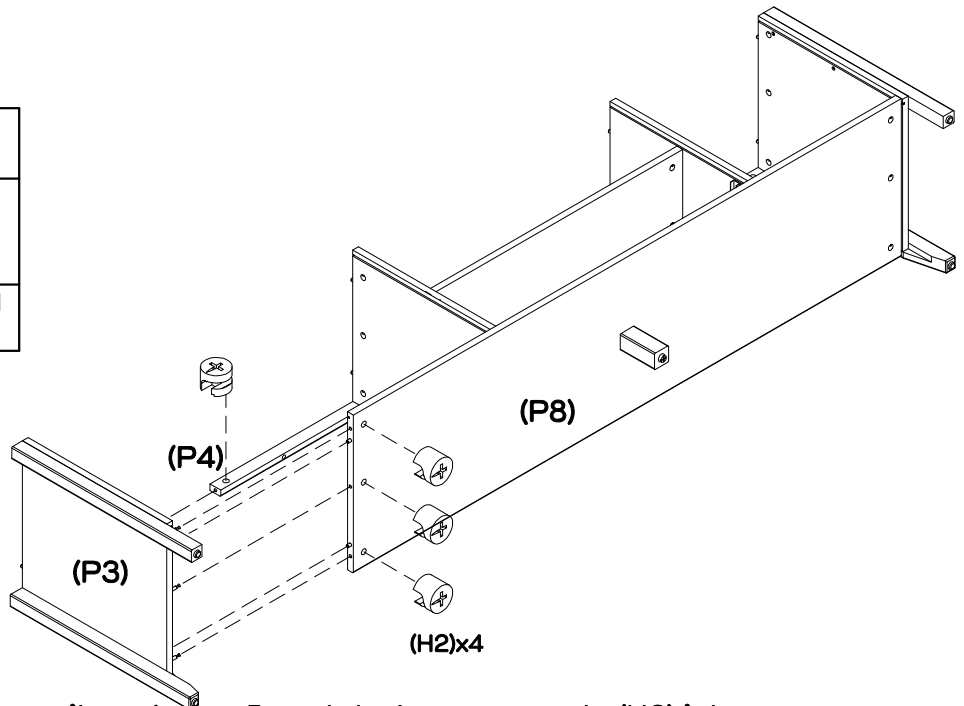
Step 16

You will need:	
	
4 x Large Cam Nuts (H2)	Phillips Head Screwdriver

This is how a cam nut works.....

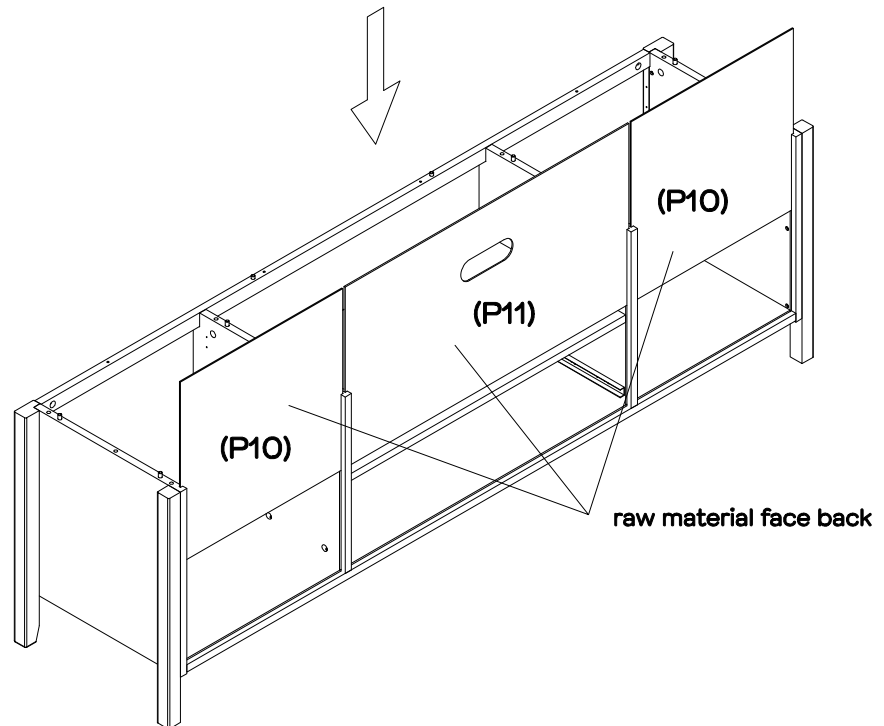


The head of the cam bolt goes into the open mouth of the cam nut. You then turn the cam nut so it tightens over the bolt.



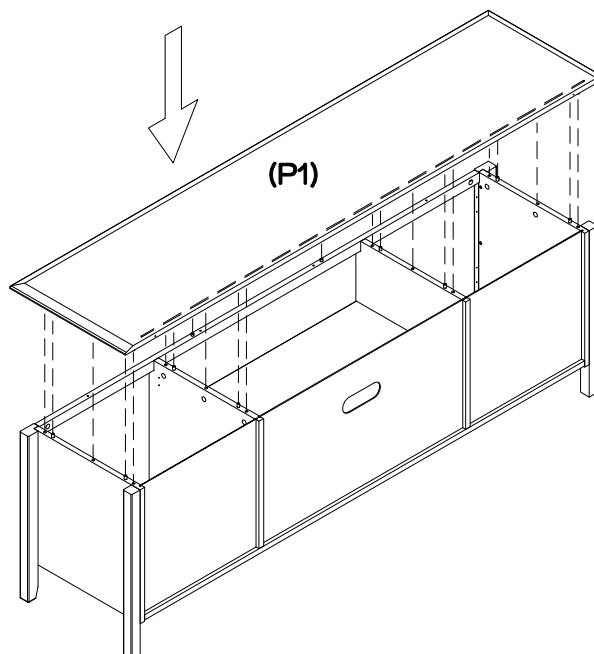
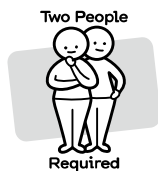
Attach right side (P3) to the unit as shown. Insert 4 x large cam nuts (H2) into the top panel rail (P4) and bottom shelf (P8), ensuring the arrows on the large cam nuts (H2) face incoming cam bolts. Using a phillips head screwdriver, turn large cam nuts (H2) clockwise to lock.

Step 17



With assistance, turn the unit upright. Slide the 2 x side back panels (P10) and the middle back panel (P11) in the grooves on the side panels (P2, P3) and centre board (P5, P6) and bottom shelf (P8).

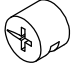

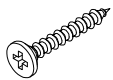
Step 18

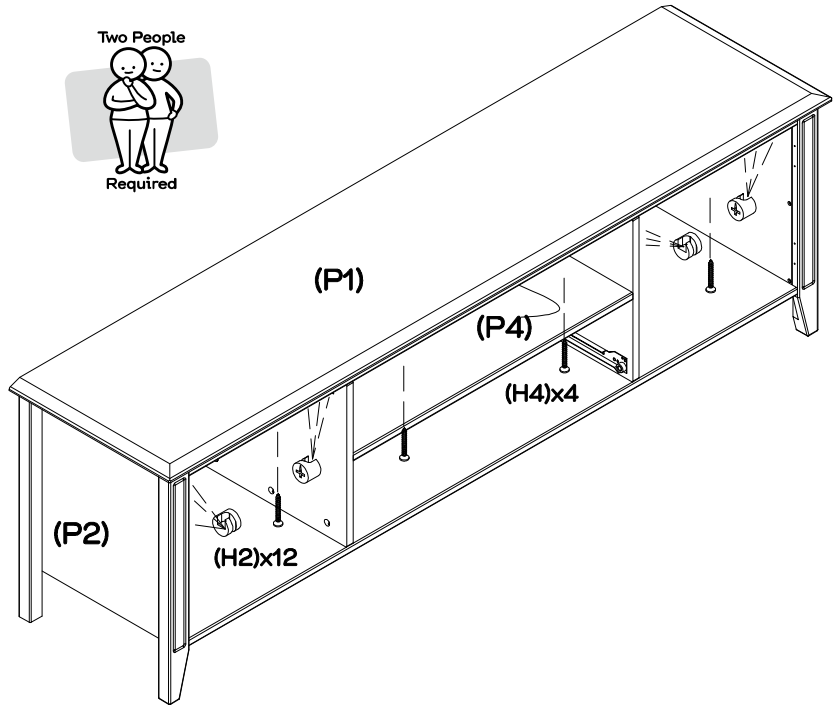


With assistance, attach top panel (P1) to the assembled unit as shown.

Step 19

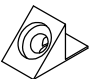

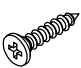


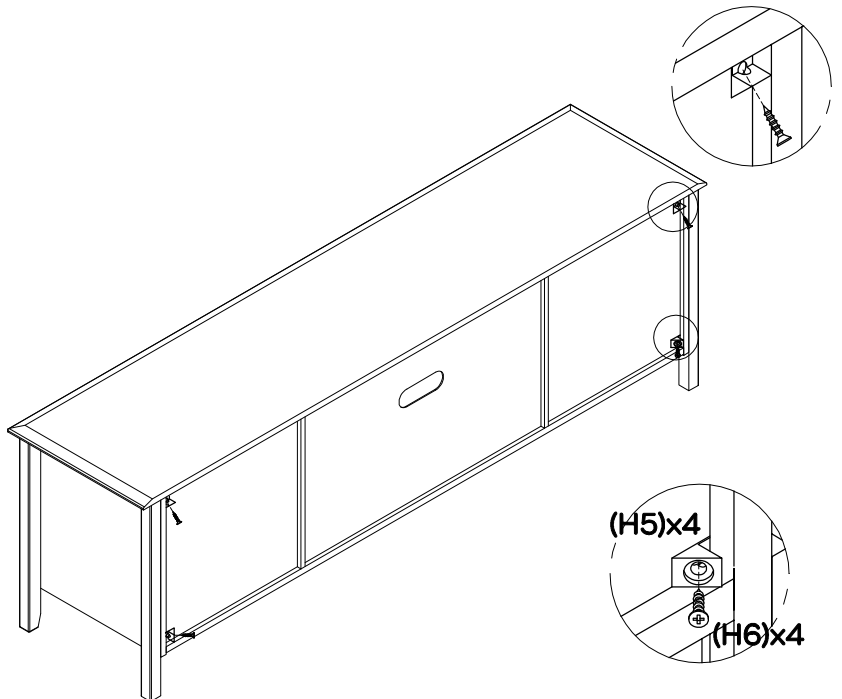
You will need:	
	
12 x Large Cam Nuts (H2)	Phillips Head Screwdriver
	
4 x Large Screws (H4)	



Insert 12 x large cam nuts (H2) into the side panels (P2, P3) and centre boards (P5, P6), ensuring the arrows point towards incoming cam bolts. Using a phillips head screwdriver, turn the cam nuts (H2) clockwise to lock. Attach the top panel rail (P4) to top panel (P1) using 4 x large screws (H4).

Step 20




You will need:	
	
4 x Back Panel Supports (H5)	Phillips Head Screwdriver
	
4 x Back Panel Support Screws (H6)	

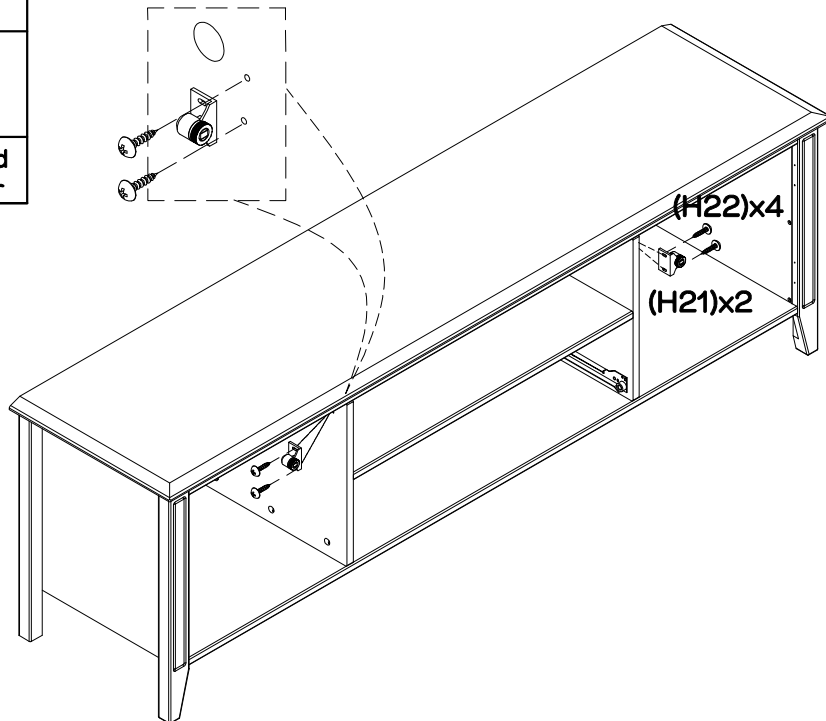


Insert 4 x back panel supports (H5) into each corner of the unit using 4 x back panel support screws (H6), tightening with a phillips head screwdriver.




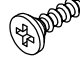



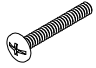
Step 21

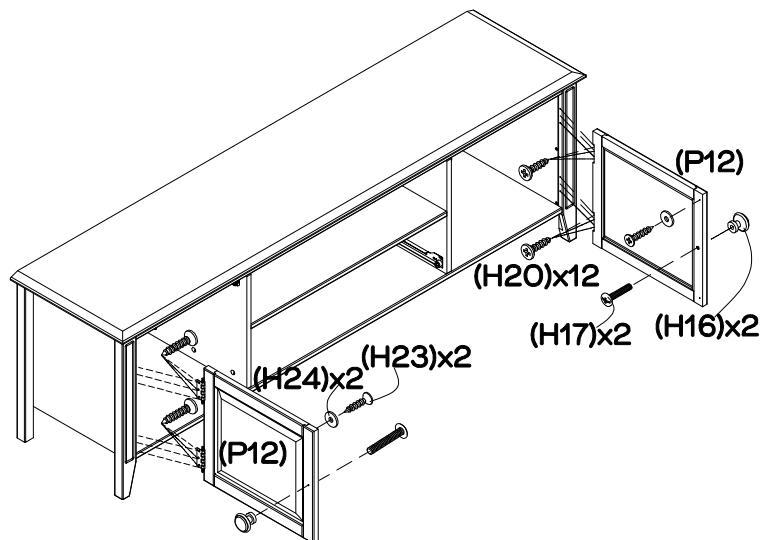
You will need:	
	
2 x Door Magnets (H21)	Phillips Head Screwdriver
	
4 x Magnet Screws (H22)	



Attach 2 x door magnets (H21) to centre boards (P5, P6) using 4 x magnet screws (H22), Tightening using a phillips head screwdriver.

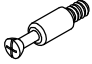

Step 22

You will need:			
	2 x Washer Screws (H23)		12 x Hinge Screws (H20)
	2 x Washers (H24)		Phillips Head Screwdriver
	2 x Door Handles (H16)		
	2 x Door Handle Screws (H17)		

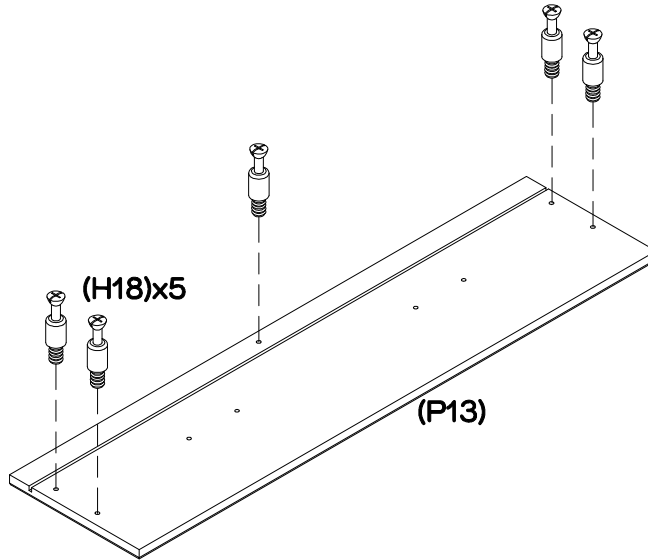


Attach the hinges (H20) on the 2 x doors (P12) to the side panels (P2, P3) using 12 x hinge screws (H20), tightening with a phillips head screwdriver. Attach 2 x washers (H24) to the corners of the 2 x doors (P12) as shown using 2 x washer screws (H23), tightening with a phillips head screwdriver. Attach 2 x Door handles (H16) to the 2 x doors (P12) using 2 x door handle screws (H17), tightening with a phillips head screwdriver.

Step 23

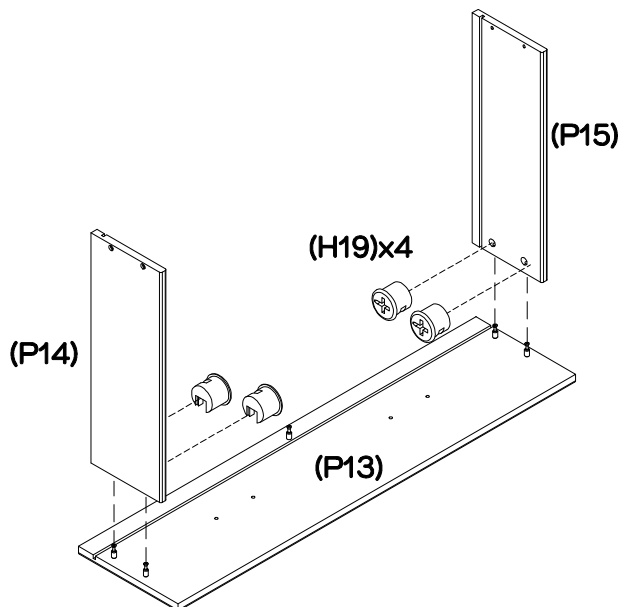
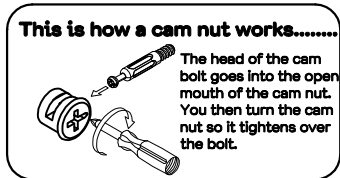
You will need:	
	
5 x Small Cam Bolts (H18)	Phillips Head Screwdriver

Attach 5 x small cam bolts (H18) to 1 x drawer front (P13) using a phillips head screwdriver.





Step 24

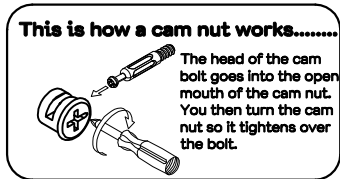
You will need:	
	
4 x Small Cam Nuts (H19)	Phillips Head Screwdriver



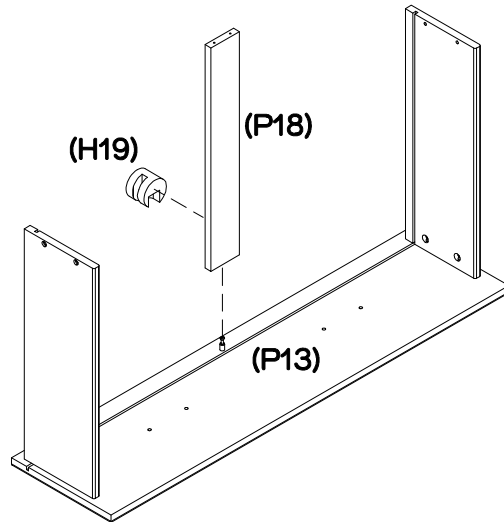
Attach 1 x left drawer side (P14) and 1 x right drawer side (P15) to 1 x drawer front (P13), ensuring the grooves on all panels align. Insert 4 x small cam nuts (H19) into the drawer sides (P14, P15), ensuring the arrow on the small cam nuts (H19) faces the incoming cam bolts. Using a phillips head screwdriver, turn the cam nuts (H19) clockwise to lock.

Step 25

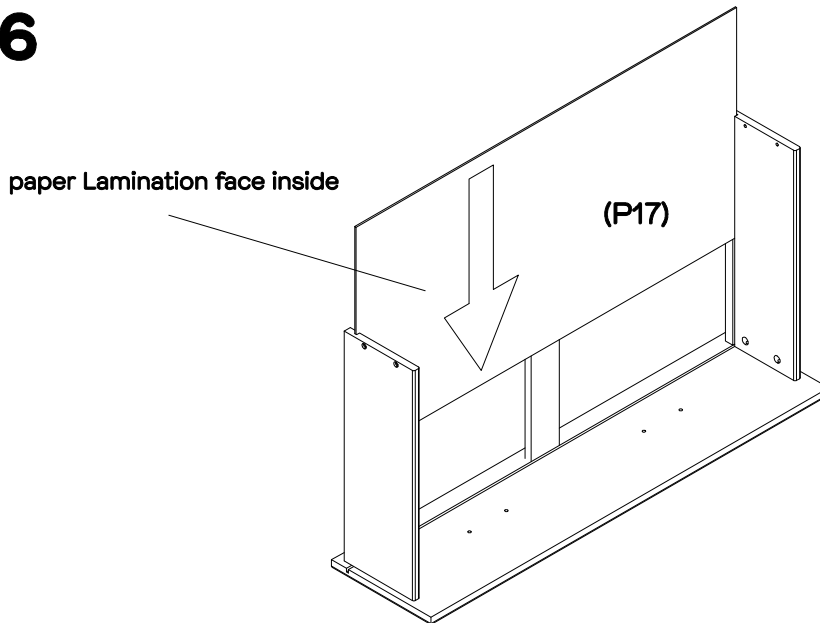
You will need:	
	
1 x Small Cam Nuts (H19)	Phillips Head Screwdriver



Attach drawer support rail (P18) to the drawer front (P13), Insert 1 x small cam nuts (H19) into the drawer support rail (P18), ensuring the arrow on the small cam nuts (H19) faces the incoming cam bolts. Using a phillips head screwdriver, turn the cam nuts (H19) clockwise to lock.

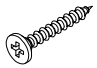



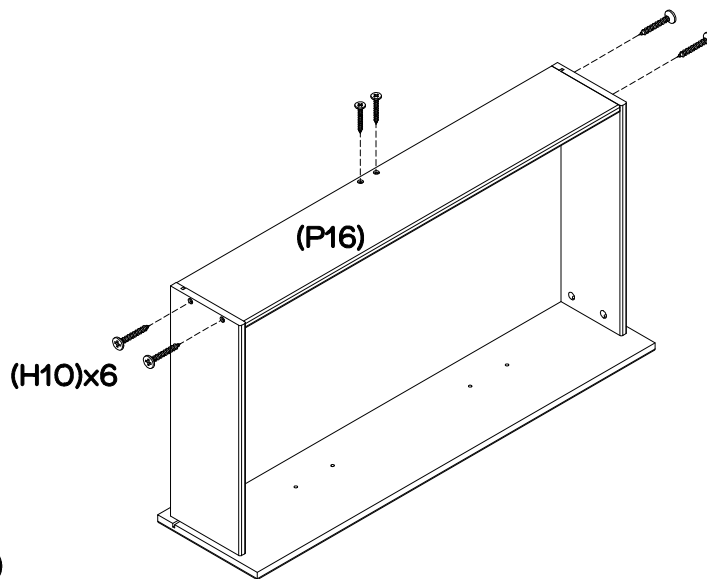
Step 26



Insert 1 x drawer base (P17) into the grooves on the drawer sides (P14, P15) and drawer front (P13).



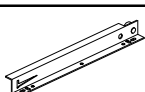
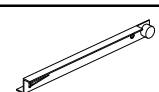
Step 27

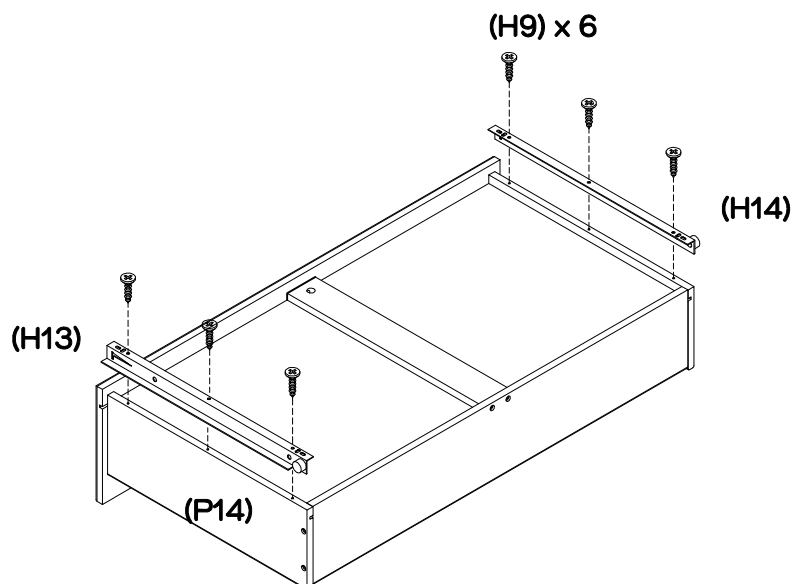
You will need:	
	
6 x Medium Screws (H10)	Phillips Head Screwdriver



Use 6 x medium screws (H10) to attach 1 x drawer back panel (P16) to the drawer sides (P14, P15) and drawer support rail (P18).




Step 28

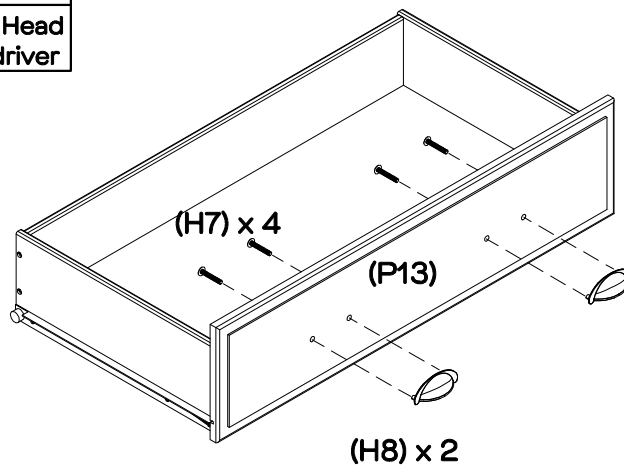
You will need:	
	
6 x Small Screws (H9)	Phillips Head Screwdriver
	
1 x Left Runner (H13)	1 x Right Runner (H14)



Attach 1 x left runner (H13) to left drawer side (P14) and 1 x right runner (H14) to right drawer side (P15) using 6 x small screws (H9), tightening with a phillips head screwdriver.

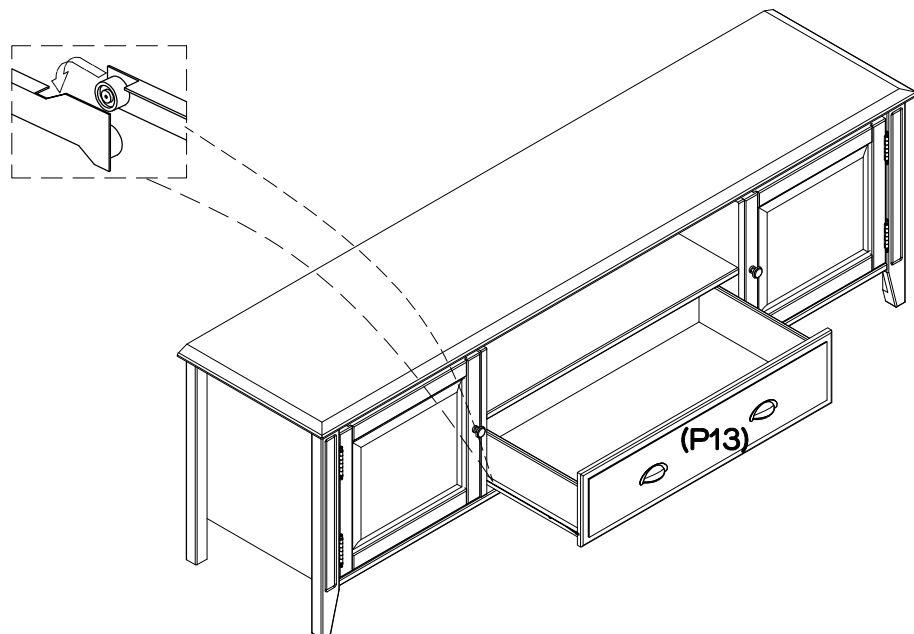
Step 29

You will need:		
		
4x Drawer Handle Screws (H7)	2x Drawer Handles (H8)	Phillips Head Screwdriver






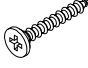
Attach 2 x drawer handles (H8) to 1 x drawer front (P13) using 4 x drawer handle screws (H7), tightening with a phillips head screwdriver.

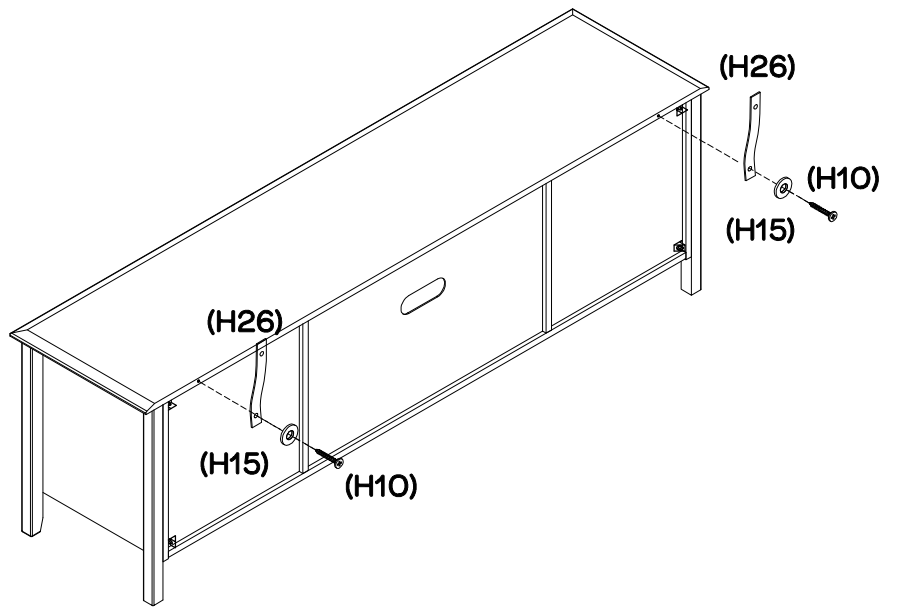
Step 30



Slide the assembled drawer into the lowline as shown.



Step 31

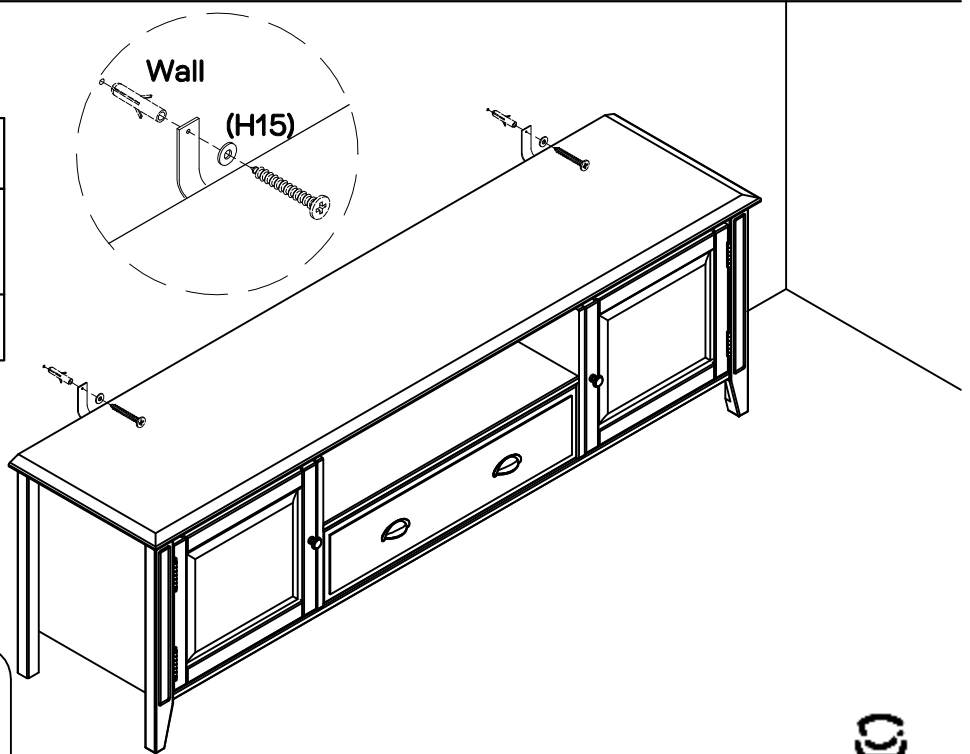
You will need:	
	
2 x Wall Straps (H26)	Phillips Head Screwdriver
	
2 x Washers (H15)	2 x Medium Screws (H10)



Attach 2 x wall straps (H26) to the back of the top panel (P1) using 2 x large screws (H10) and 2 x washers (H15).

Step 32

You will need:	
	
2 x Washer (H15)	Phillips Head Screwdriver

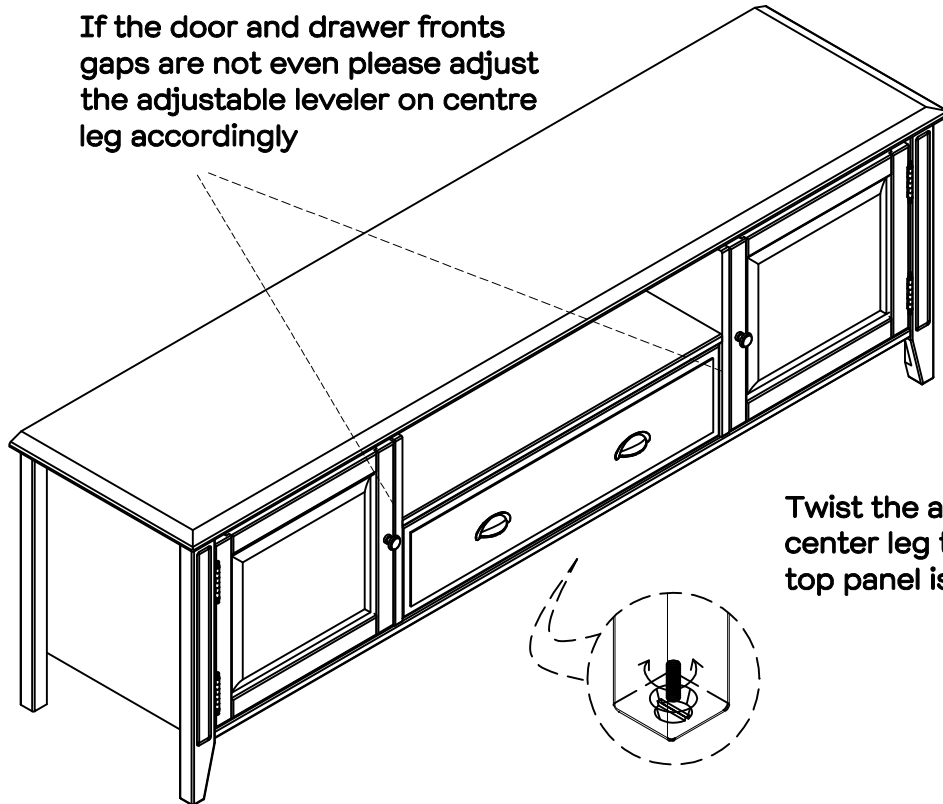


Screw and Wall Plug are not provided. Please use appropriate fixtures for your wall.

Seek advice from a qualified trades person on how to attach safety strap to the wall .



If the door and drawer fronts gaps are not even please adjust the adjustable leveler on centre leg accordingly



Twist the adjuster on center leg to make the top panel is flush

Job Complete!

In the interest of our environment please dispose of all packing thoughtfully.