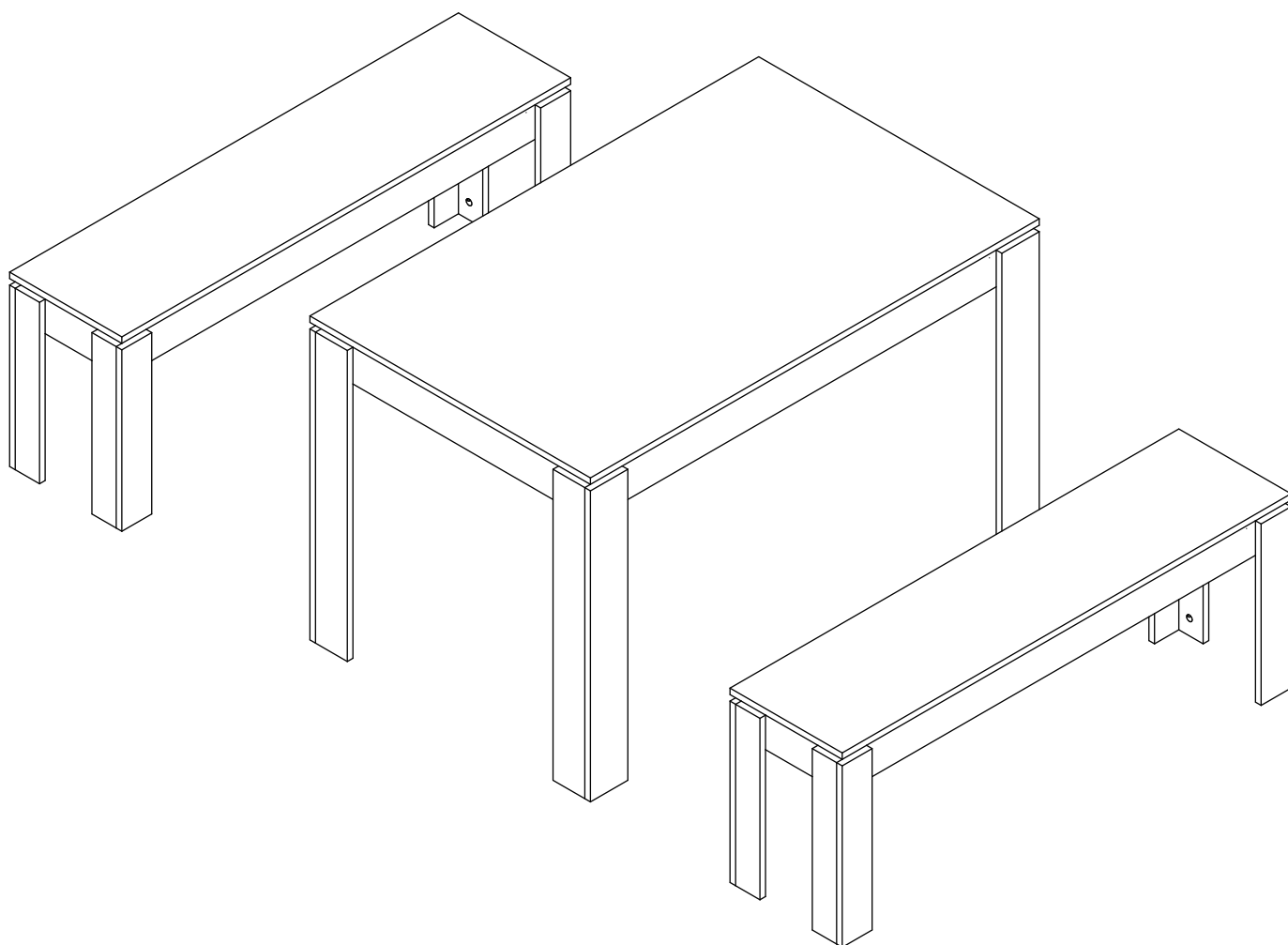




**Fantastic
Furniture**

Version 1.0



Nook
Dining Set

fantasticfurniture.com.au

Recommended weight capacity : 50kgs / Table.
120kgs / Bench.

Looks like you've found your Fantastic!

We're thrilled you've chosen Fantastic Furniture
to help create a home you'll love!



Fantastic Furniture

Love it? Share it!

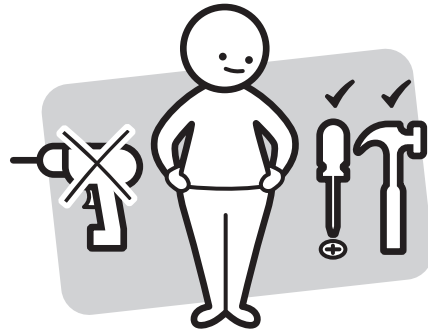
Fantastic buy! Share how it looks at home on Instagram for
your chance to win a \$250 Fantastic Furniture Gift Card!

@fantasticfurniture

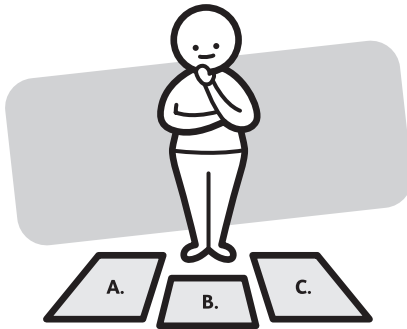
Assembly Checklist



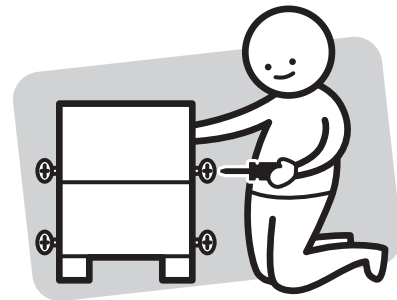
Read through the instructions carefully before you begin.



Make sure you have all the required tools. Never use power tools unless instructed.



Identify and lay out all of the components before you begin assembly.



Unless instructed, do not fully tighten screws until the item is fully assembled.

Useful Information

- ! Never use power tools unless specifically instructed. They can damage your components or hardware if used incorrectly.
- ! The most common mistakes made during assembly are using the wrong hardware or getting components back to front.
- ! Always use a soft surface (such as carpet or cardboard) when assembling your product to avoid scratching or damaging the surface of the product.
- ! Bulky items such as wardrobes and bunk beds should be assembled in the room they will be used in as they may not fit through a door once assembled.
- ! Never use any glue until you are certain that the parts belong together.
- ! Periodically check and re-tighten all fasteners. Check the product care label or website for product care instructions.
- ! If you are having any difficulties assembling your product, missing any hardware or components please visit our website Help Centre for further assistance.
- ! Please see page 2 for any safety requirements or weight restrictions.

What you need

to assemble the product



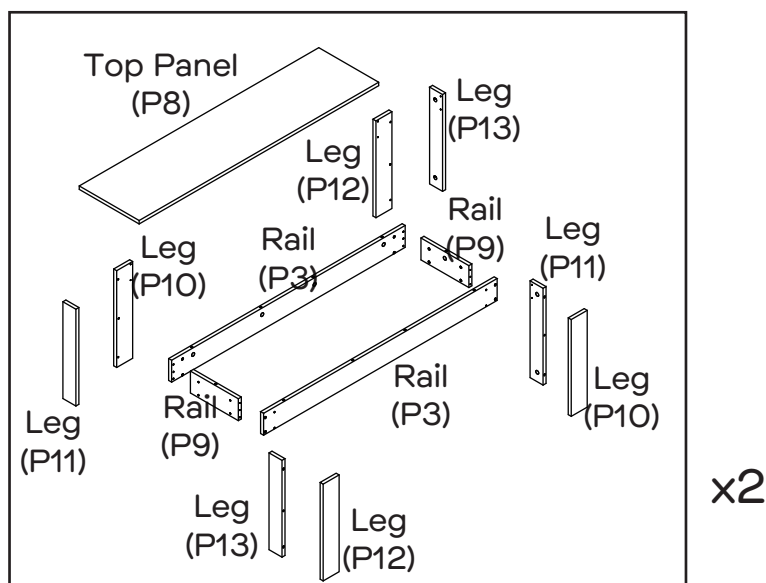
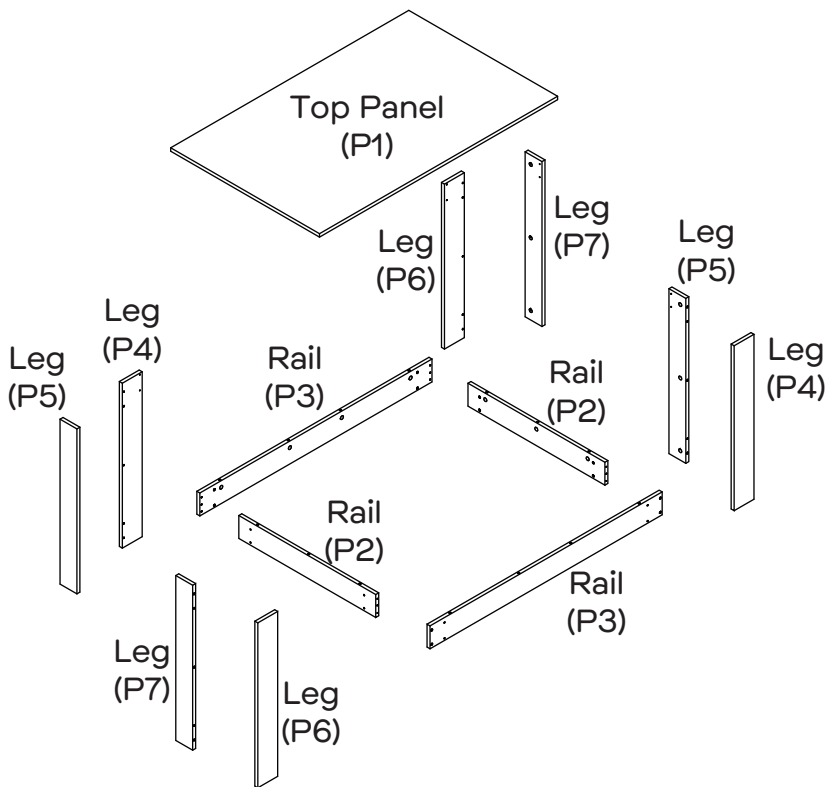
DO NOT USE



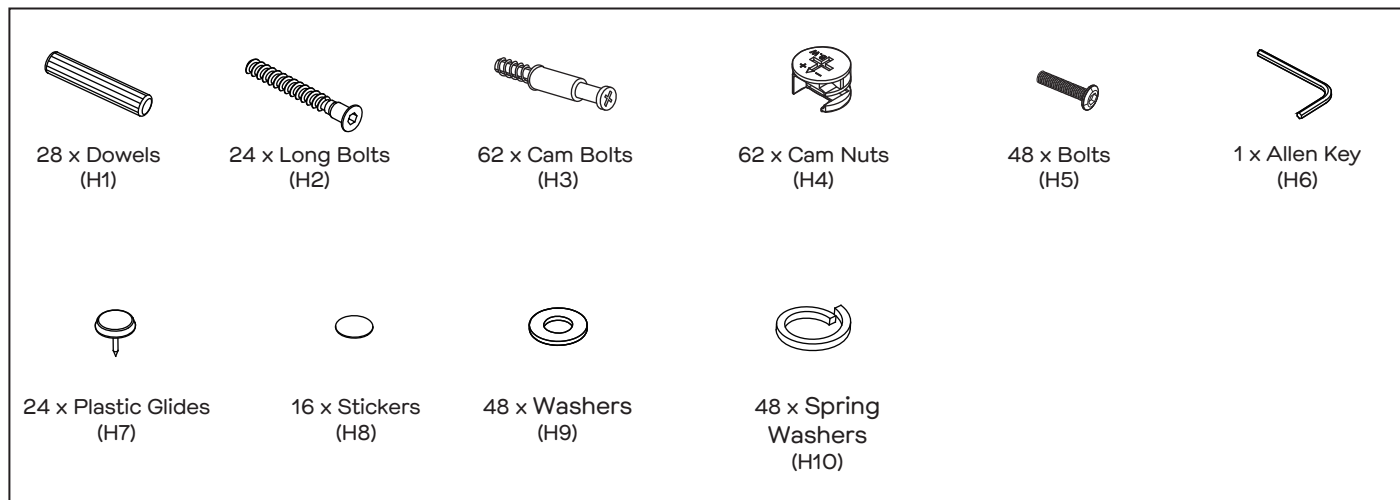
Other tools you need:
Phillips head screwdriver;
Hammer;

Parts list

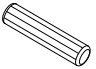


- Top Panel (P1);
- 2 x Rails (P2);
- 6 x Rails (P3);
- 2 x Legs (P4);
- 2 x Legs (P5);
- 2 x Legs (P6);
- 2 x Legs (P7);
- 2 x Top Panel (P8);
- 4 x Rails (P9);
- 4 x Legs (P10);
- 4 x Legs (P11);
- 4 x Legs (P12);
- 4 x Legs (P13);

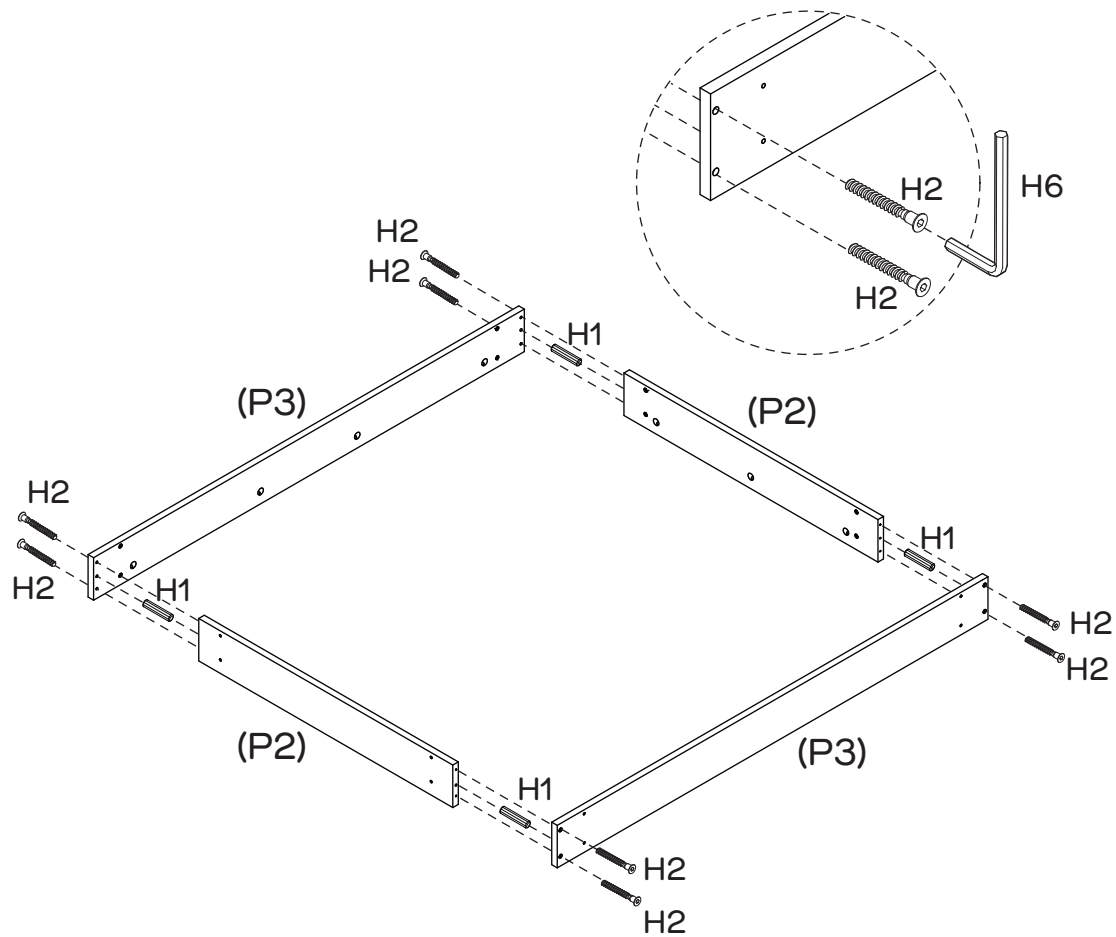


Hardware pack



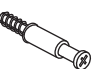

Step 1

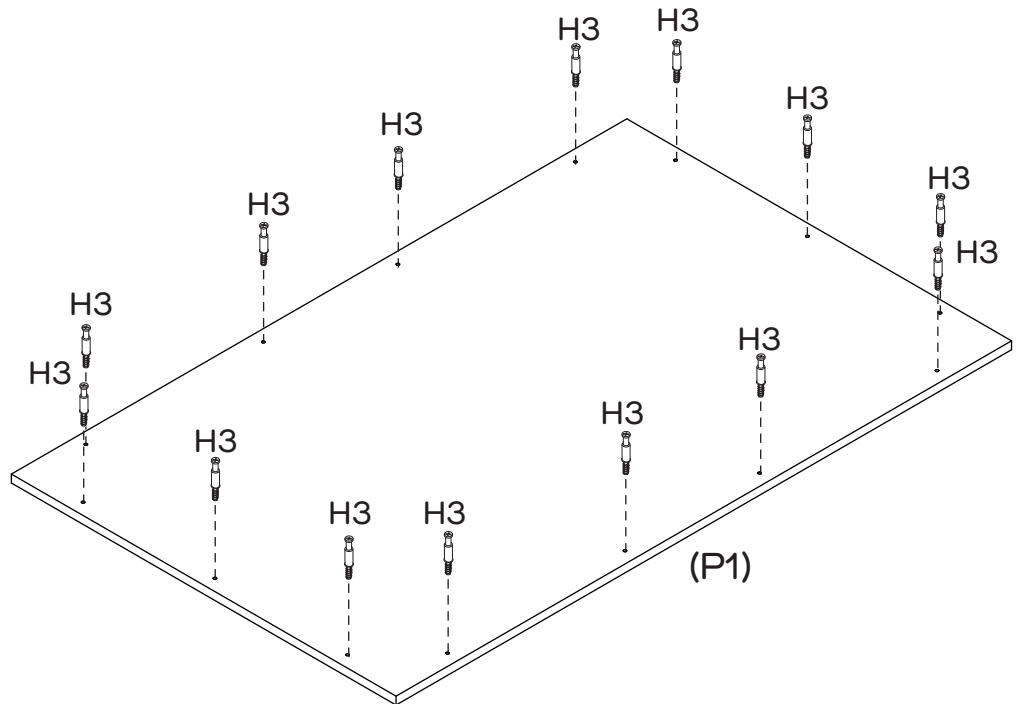
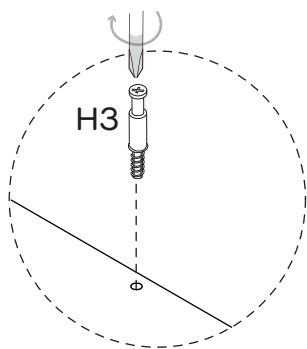
| You will need | |
|---|---|
|  |  |
| 4 x Dowels (H1) | 8 x Long Bolts (H2) |
|  | |
| 1 x Allen key (H6) | |



Insert 4 x Dowels (H1) into Rails (P2 x 2) as shown. Attach Rails (P3 x 2) to Rails (P2 x 2) with 8 x Long Bolts (H2) by tightening with the Allen Key (H6).



Step 2

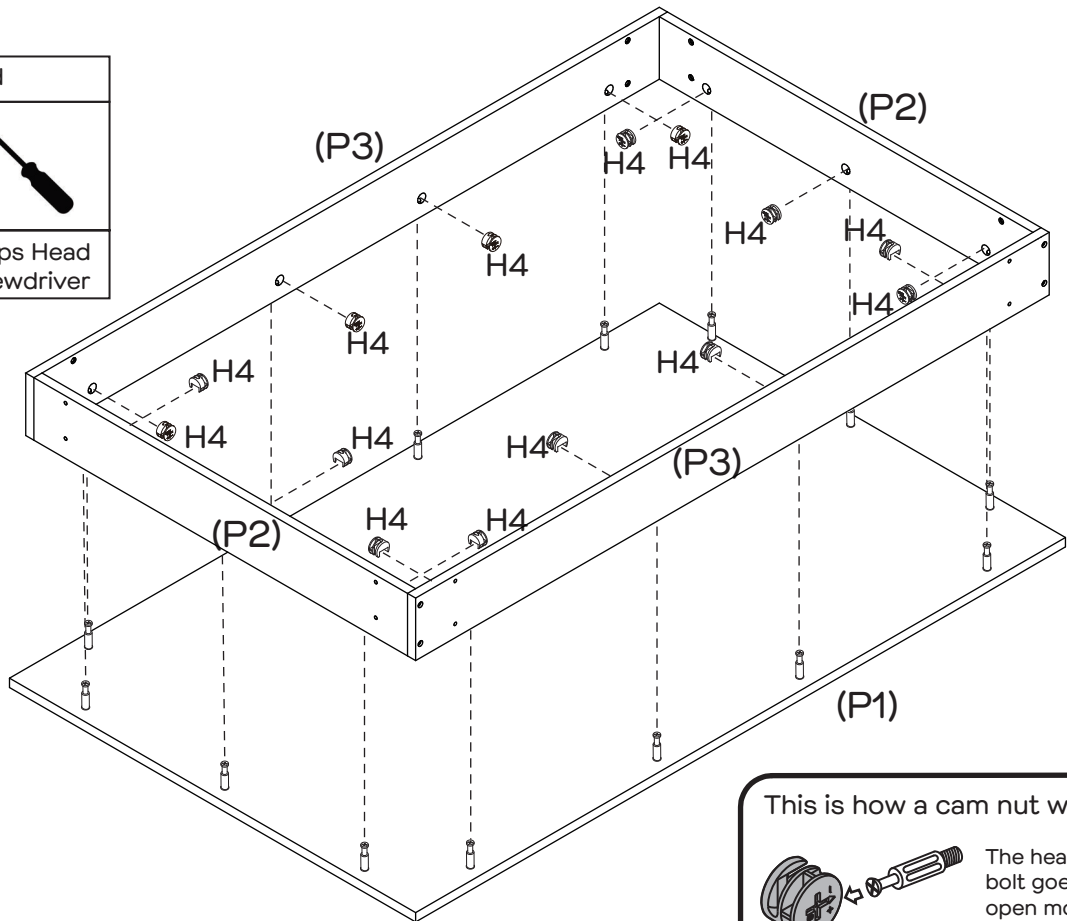
| You will need | |
|---|---|
|  |  |
| 14 x Cam Bolts (H3) | Phillips head screwdriver |



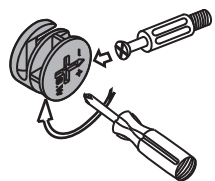
Attach 14 x Cam Bolts (H3) to Top Panel (P1) as shown, tightening with the Phillips Head Screwdriver.

Step 3

| You will need | |
|---|---|
|  |  |
| 14 x Cam Nuts (H4) | Phillips Head Screwdriver |



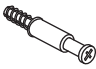

This is how a cam nut works.....

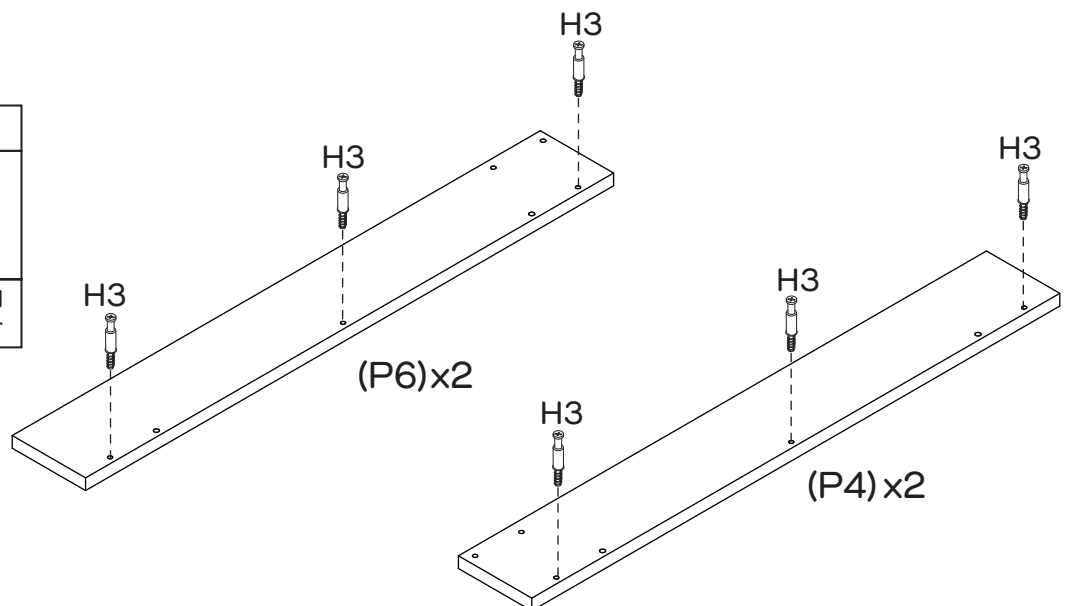


The head of the cam bolt goes into the open mouth of the cam nut. You then turn the cam nut so it tightens over the bolt.

Insert 14 x Cam Nuts (H4) into Rails (P2 x 2 & P3 x 2). Rotate the nuts so the arrows point towards the incoming bolts. Attach Rails (P2 x 2 & P3 x 2) to Top Panel (P1), then tighten the cam nuts with a Phillips Head Screwdriver.

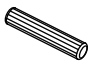


Step 4

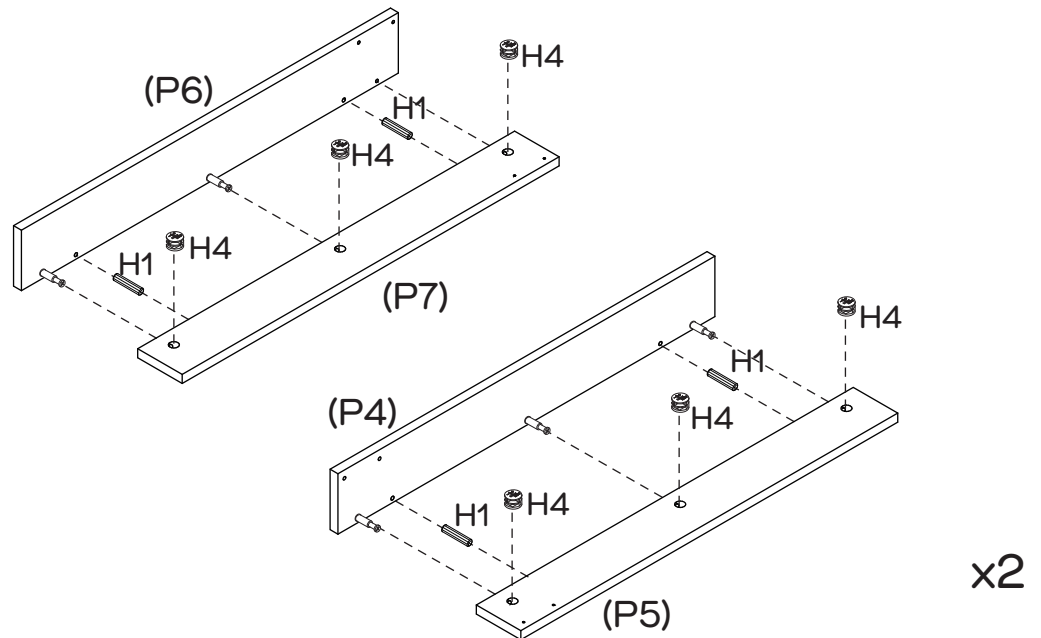
| You will need | |
|---|---|
|  |  |
| 12 x Cam Bolts (H3) | Phillips head screwdriver |



Attach 12 x Cam Bolts (H3) to Legs (P4 x2 & P6 x 2) as shown, tightening with the Phillips Head Screwdriver.

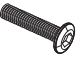
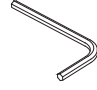


Step 5

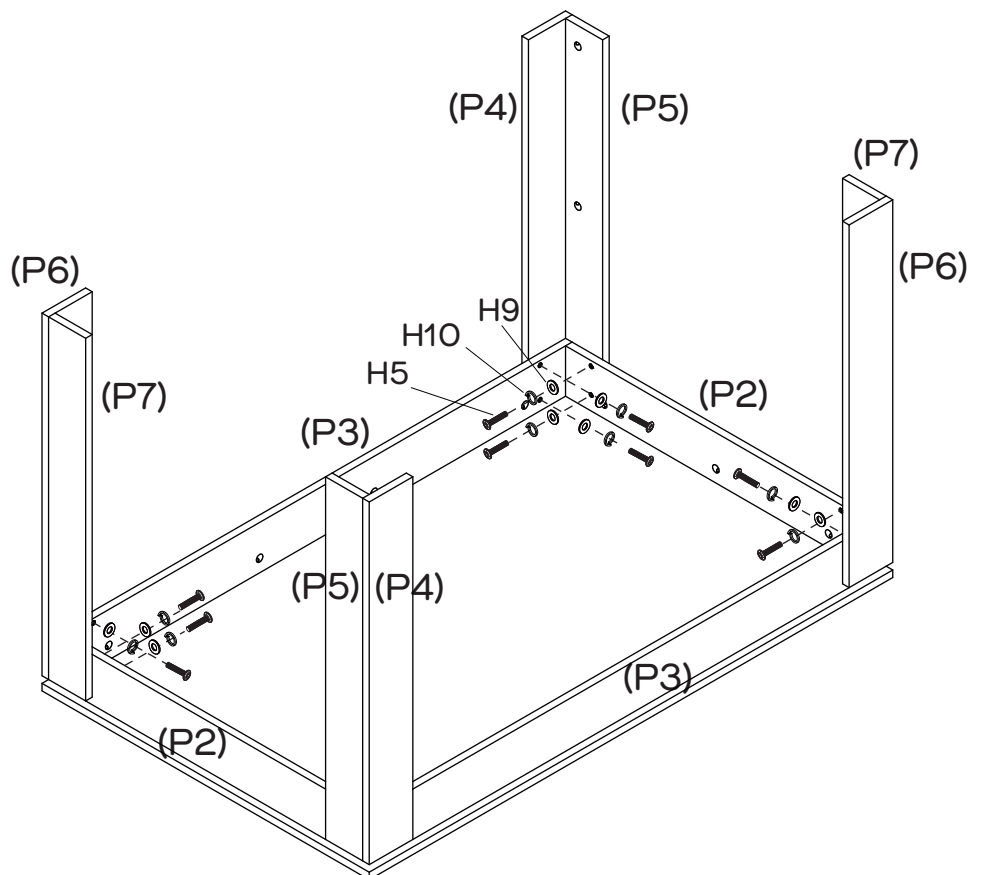
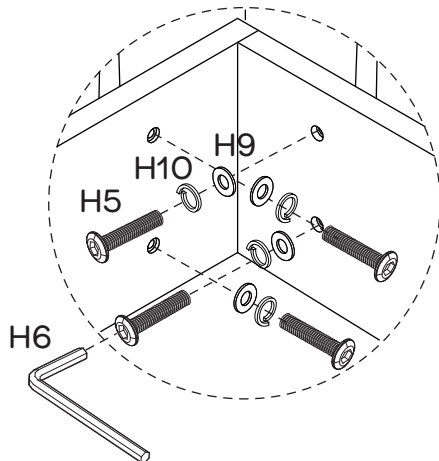
| You will need | |
|---|---|
|  |  |
| 8 x Dowels (H1) | 12 x Cam Nuts (H4) |
|  | |
| Phillips Head Screwdriver | |



Insert 4 x Dowels (H1) into Legs (P4 & P6). Insert 6 x Cam Nuts (H4) into Legs (P5 & P7). Rotate the nuts so the arrows point towards the incoming bolts. Attach Leg (P4) to Leg (P5), Leg (P6) to Leg (P7), then tighten the cam nuts with a Phillips Head Screwdriver. Repeat this Step for other legs (P4 & P5 & P6 & P7).



Step 6

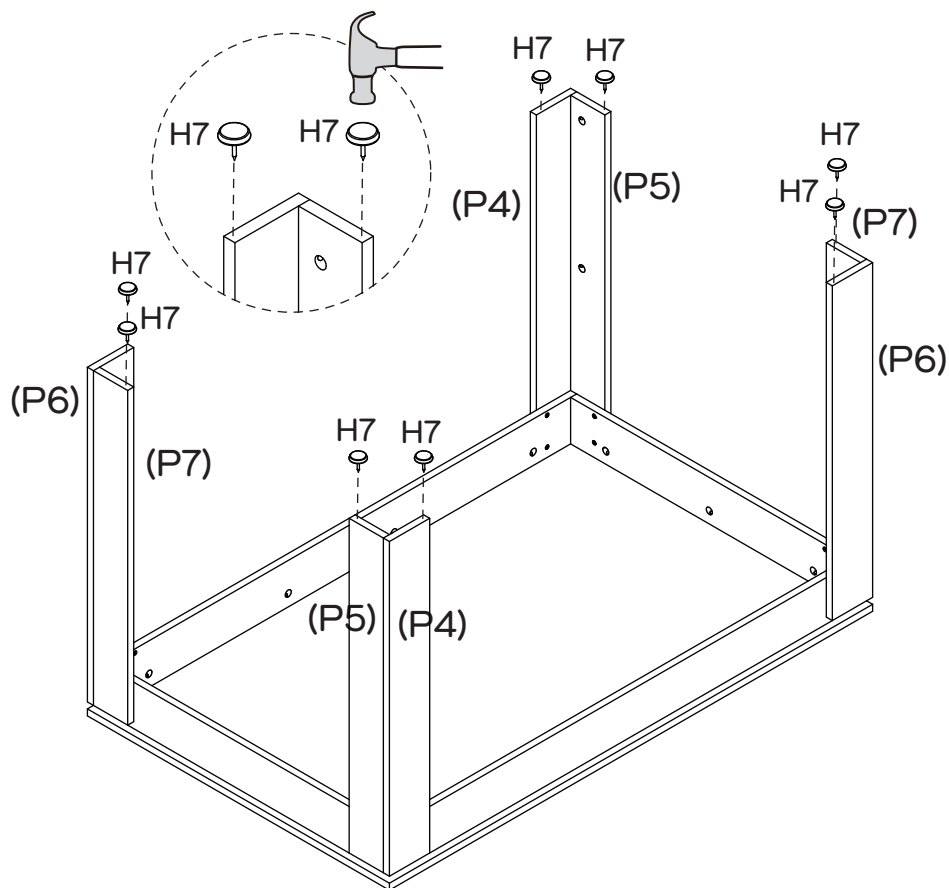
| You will need | |
|---|---|
|  |  |
| 16 x Bolts (H5) | 1 x Allen key (H6) |
|  |  |
| 16 x Washers (H9) | 16 x Spring Washers (H10) |



Secure the Legs (P4 x 2 & P5 x 2 & P6 x 2 & P7 x 2) to the Rails (P2 x 2 & P3 x 2) using 16 x Bolts (H5), 16 x Washers (H9) and 16 x Spring Washers (H10), tightening with the Allen Key (H6).


Step 7

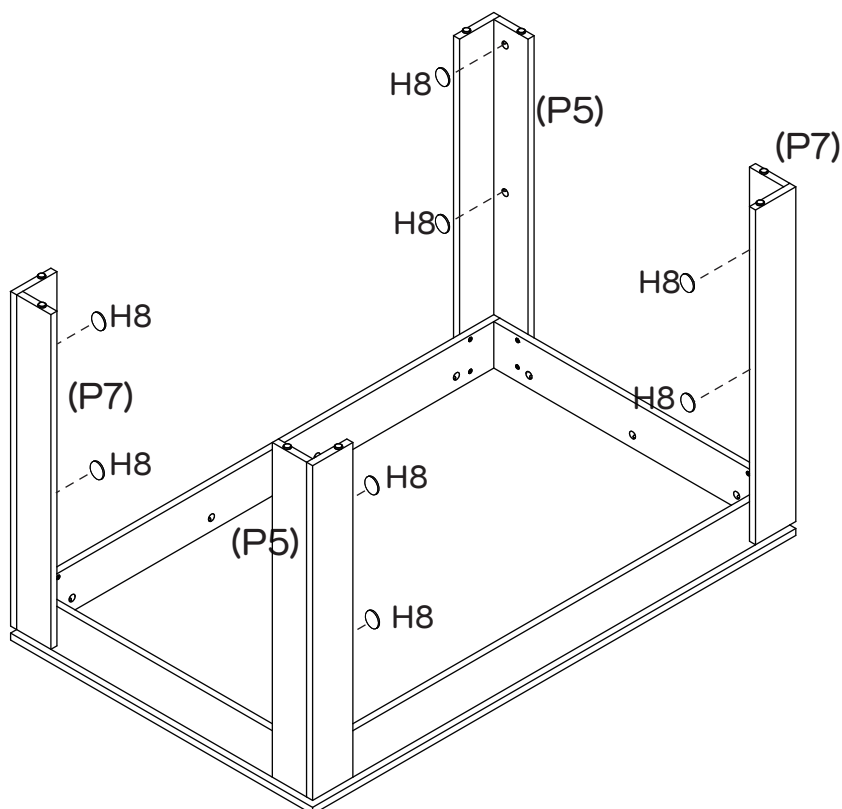
| You will need | |
|---|---|
|  |  |
| 8 x Plastic Glides (H7) | Hammer |



Secure 8 x Plastic Glides (H7) to Legs (P4 x 2 & P5 x 2 & P6 x 2 & P7 x 2) as shown by gently tapping with a hammer.

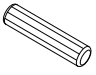

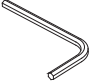
Step 8

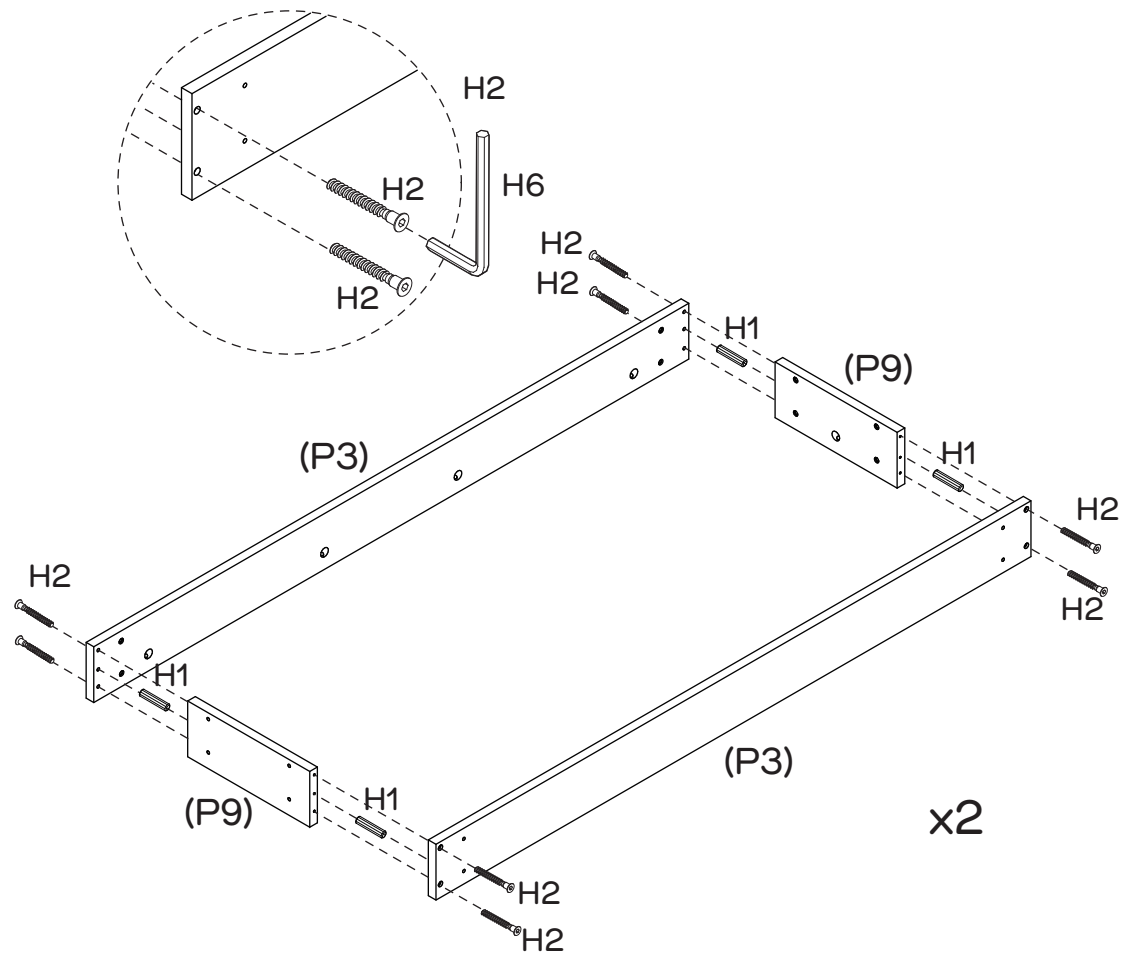
| You will need | |
|---|--|
|  | |
| 8 x Stickers (H8) | |



Cover the cam nut holes on Legs (P5 x 2 & P7 x 2) using 8 x Stickers (H8).

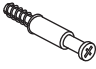

Step 9

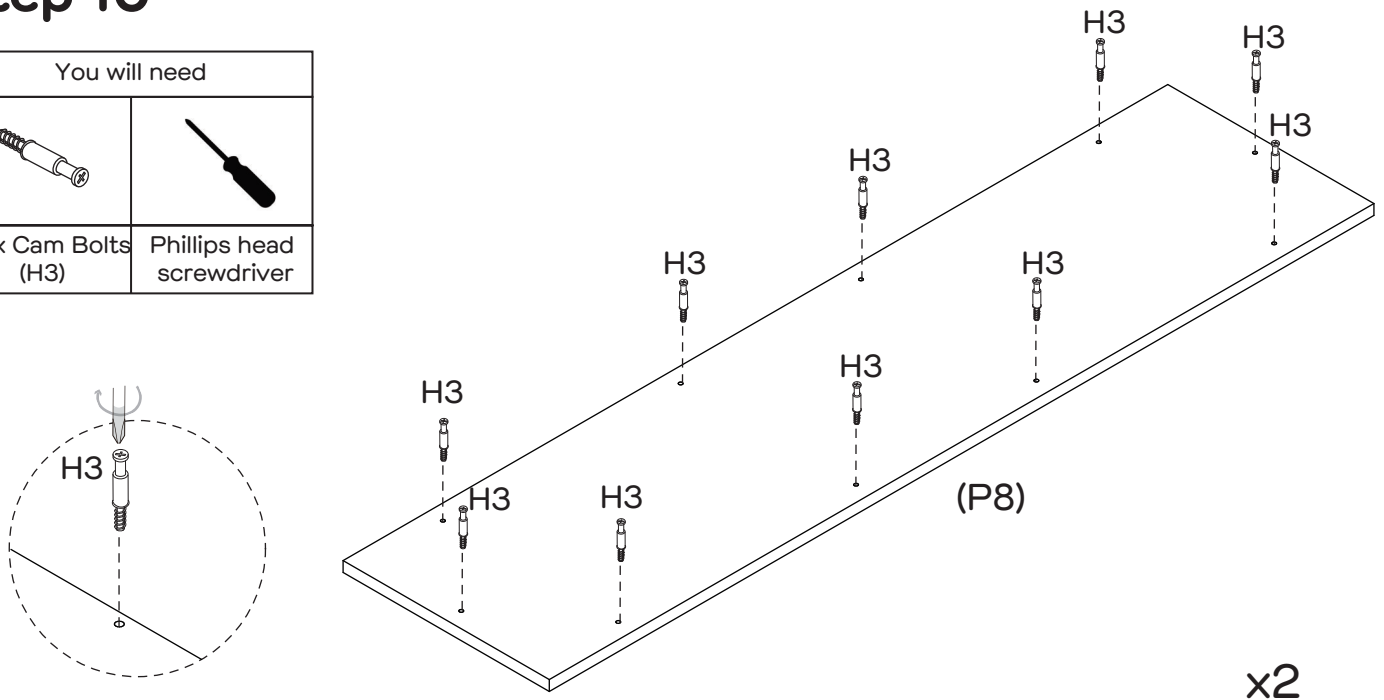
| You will need | |
|---|---|
|  |  |
| 8 x Dowels (H1) | 16 x Long Bolts (H2) |
|  | |
| 1 x Allen key (H6) | |



Insert 4 x Dowels (H1) into Rails (P9 x 2) as shown. Attach Rails (P3 x 2) to Rails (P9 x 2) with 8 x Long Bolts (H2) by tightening with the Allen Key (H6). Repeat this Step for other Rails (P9 x 2 & P3 x 2).



Step 10

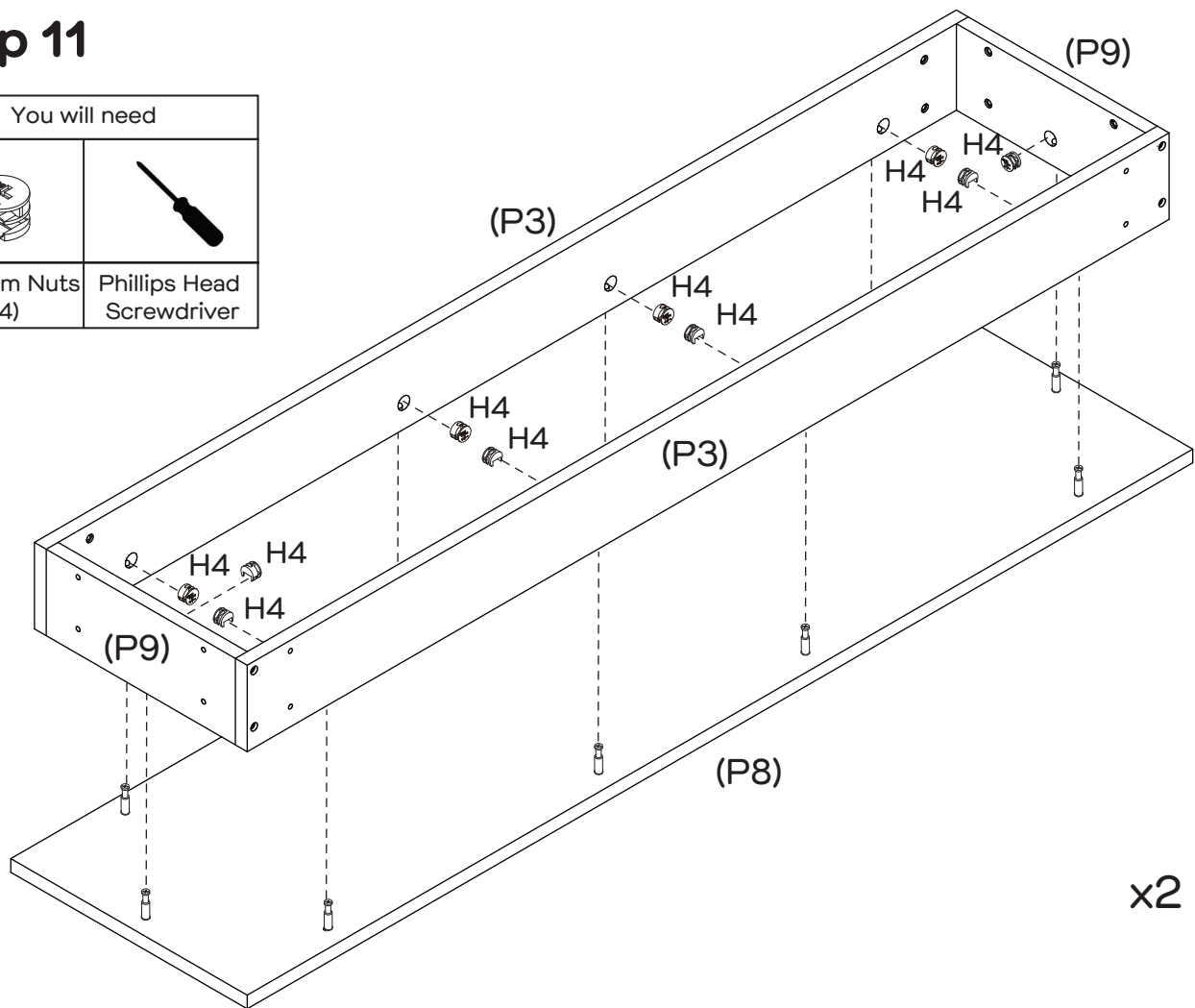
| You will need | |
|---|---|
|  |  |
| 20 x Cam Bolts (H3) | Phillips head screwdriver |



Attach 10 x Cam Bolts (H3) to Top Panel (P8) as shown, tightening with the Phillips Head Screwdriver. Repeat this Step for another Top Panel (P8).

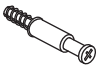

Step 11

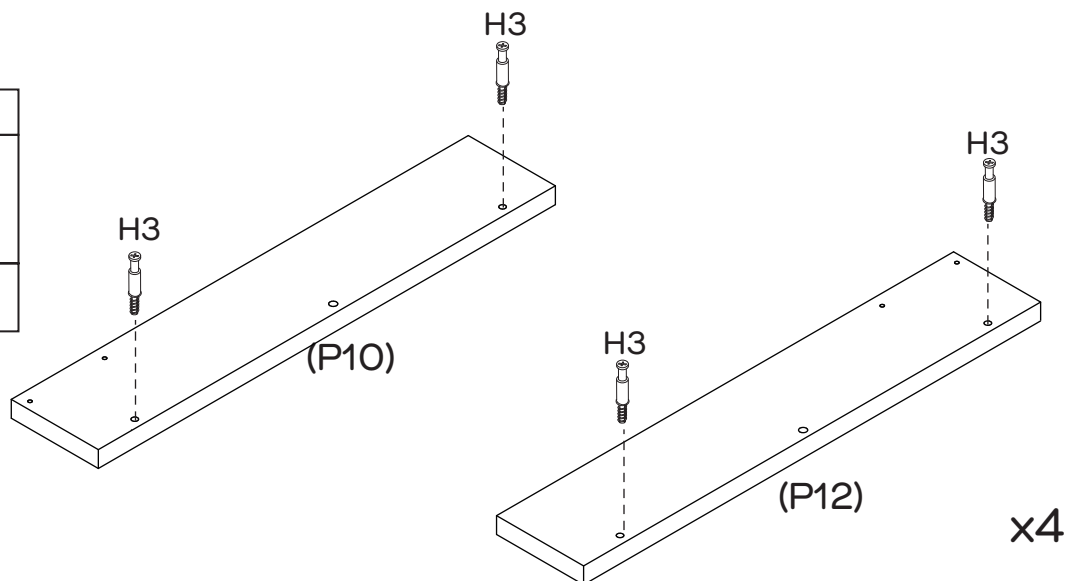
| You will need | |
|---|---|
|  |  |
| 20 x Cam Nuts (H4) | Phillips Head Screwdriver |



Insert 10 x Cam Nuts (H4) into Rails (P9 x 2 & P3 x 2). Rotate the nuts so the arrows point towards the incoming bolts. Attach Rails (P9 x 2 & P3 x 2) to Top Panel (P8), then tighten the cam nuts with a Phillips Head Screwdriver. Repeat this Step for another Top Panel (P8) and other Rails (P9 x 2 & P3 x 2) .

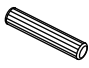


Step 12

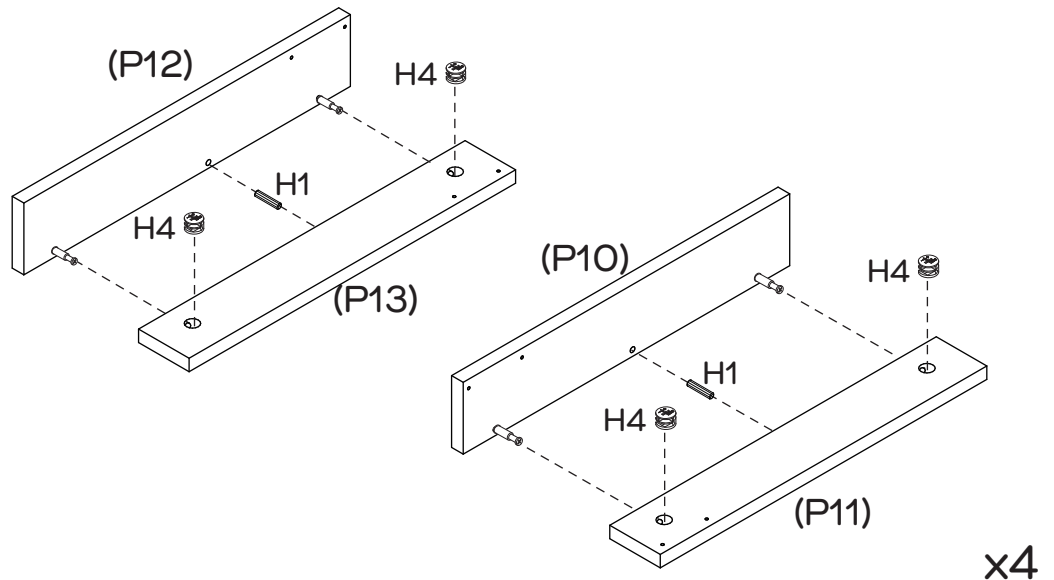
| You will need | |
|---|---|
|  |  |
| 16 x Cam Bolts (H3) | Phillips head screwdriver |



Attach 4 x Cam Bolts (H3) to Legs (P10 & P12) as shown, tightening with the Phillips Head Screwdriver. Repeat this Step for other Legs (P10 x 3 & P12 x 3).

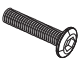

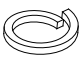
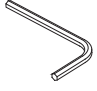
Step 13

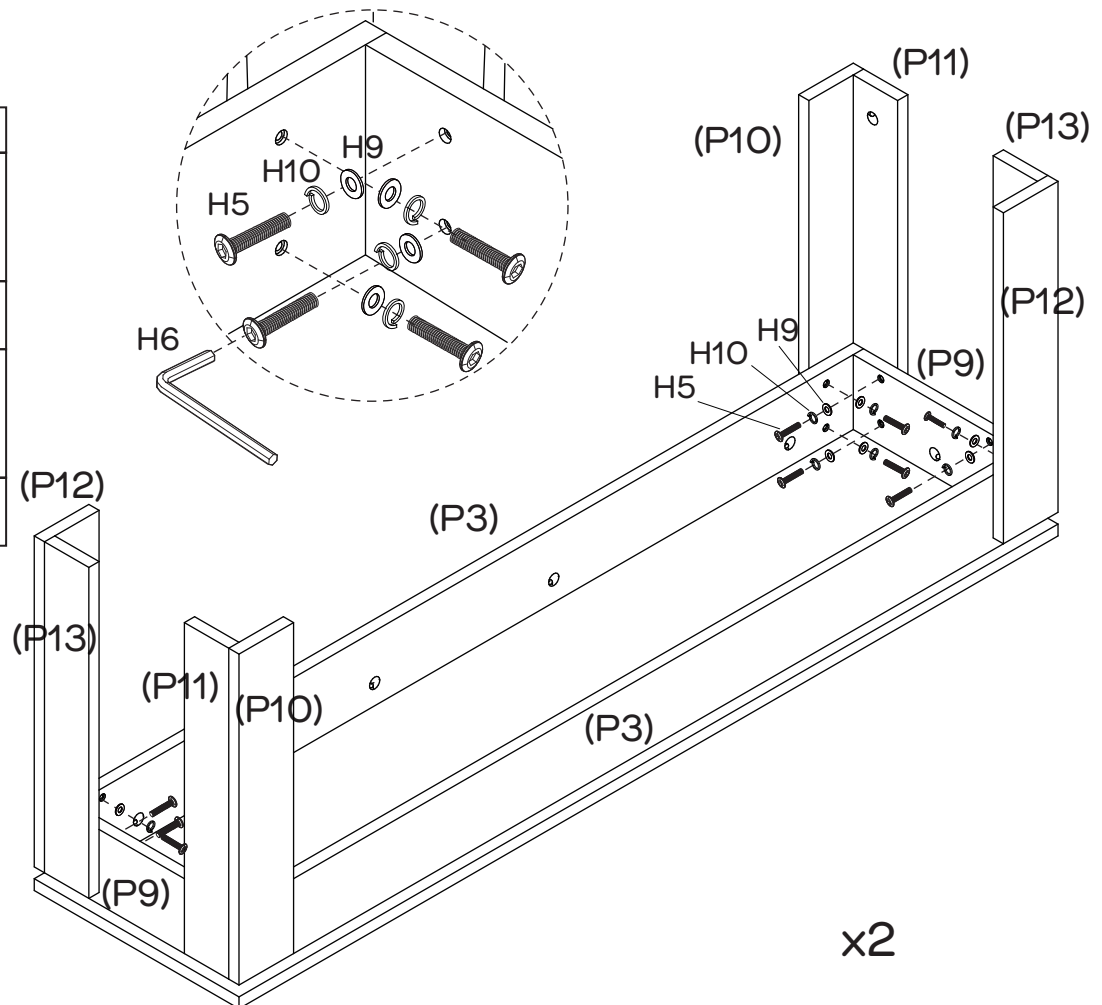
| You will need | |
|---|---|
|  |  |
| 8 x Dowels (H1) | 16 x Cam Nuts (H4) |
|  | |
| Phillips Head Screwdriver | |



Insert 2 x Dowels (H1) into Legs (P10 & P12). Insert 4 x Cam Nuts (H4) into Legs (P11 & P13). Rotate the nuts so the arrows point towards the incoming bolts. Attach Leg (P10) to Leg (P11), Leg (P12) to Leg (P13), then tighten the cam nuts with a Phillips Head Screwdriver. Repeat this Step for other Legs (P12 x 3 & P13 x 3 & P10 x 3 & P11 x 3).



Step 14

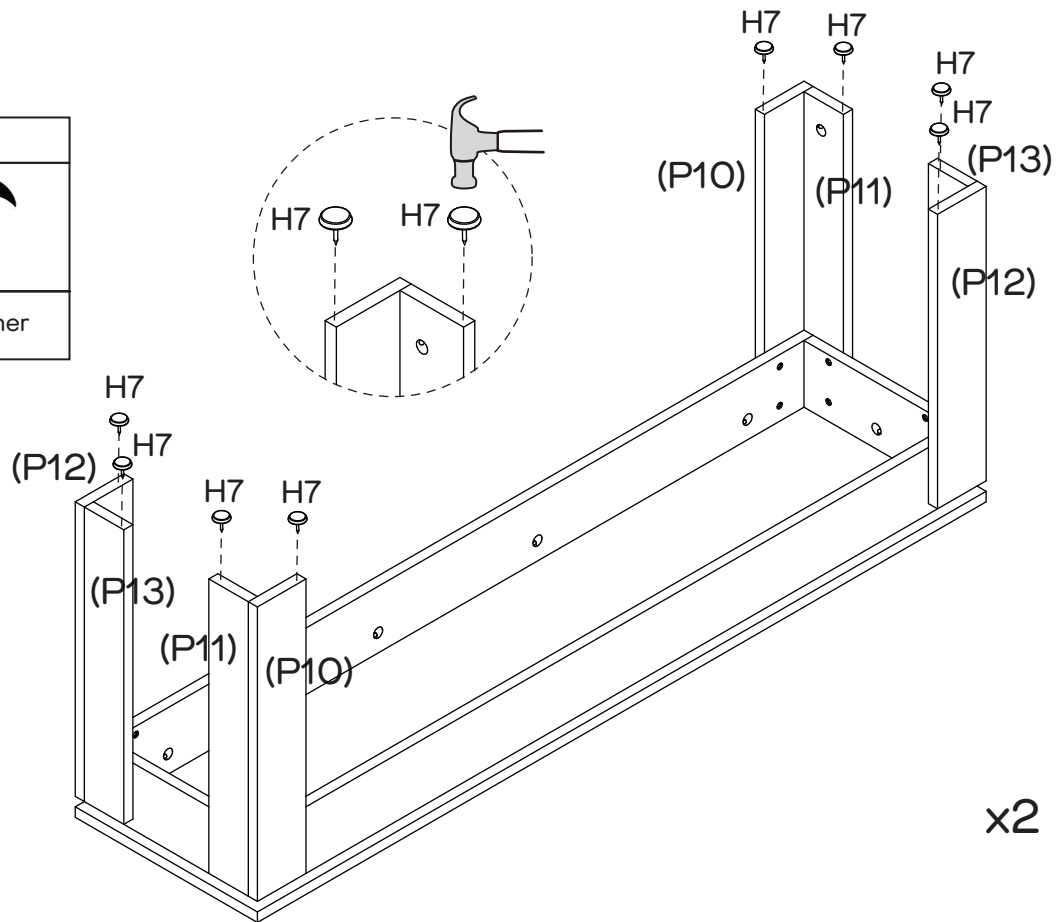
| You will need | |
|---|---|
|  |  |
| 32 x Bolts (H5) | 32 x Washers (H9) |
|  |  |
| 32 x Spring Washers (H10) | 1 x Allen key (H6) |



Secure the Legs (P10 x 2 & P11 x 2 & P12 x 2 & P13 x 2) to the Rails (P9 x 2 & P3 x 2) using 16 x Bolts (H5), 16 x Washers (H9) and 16 x Spring Washers (H10), tightening with the Allen Key (H6). Repeat this Step for another Bench.


Step 15

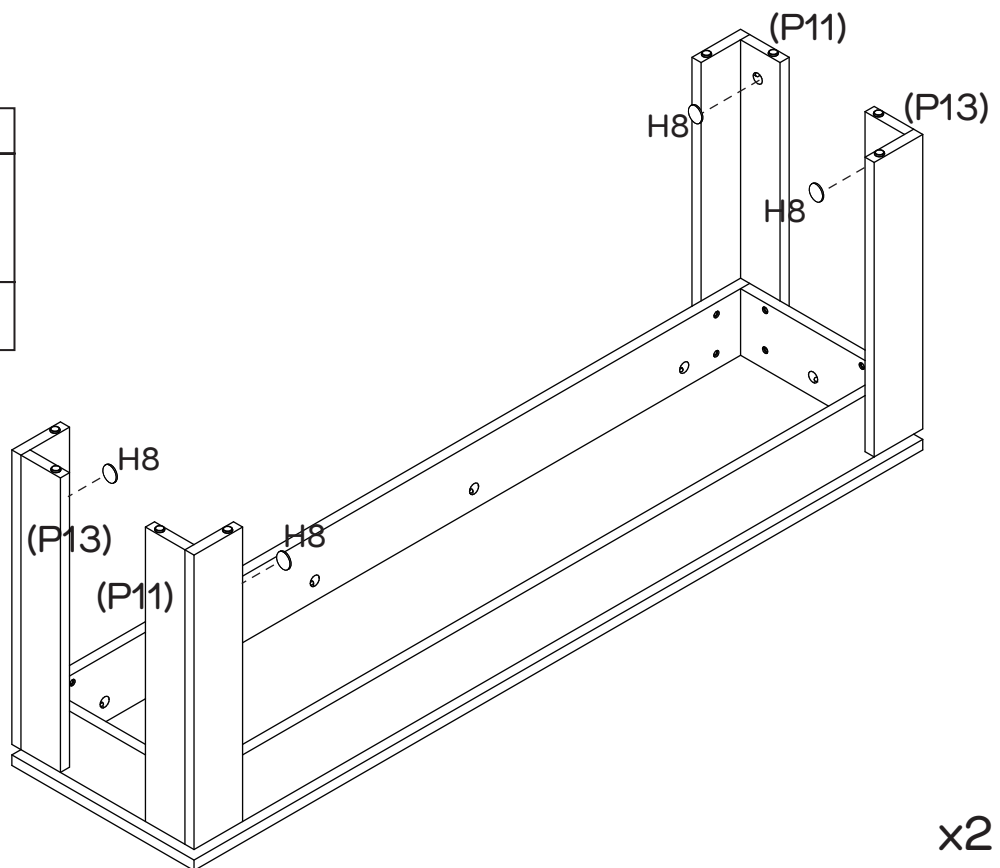
| You will need | |
|---|---|
|  |  |
| 16 x Plastic Glides (H7) | Hammer |



Secure 8 x Plastic Glides (H7) to Legs (P10 x 2 & P11 x 2 & P12 x 2 & P13 x 2) as shown by gently tapping with a hammer. Repeat this Step for another Bench .

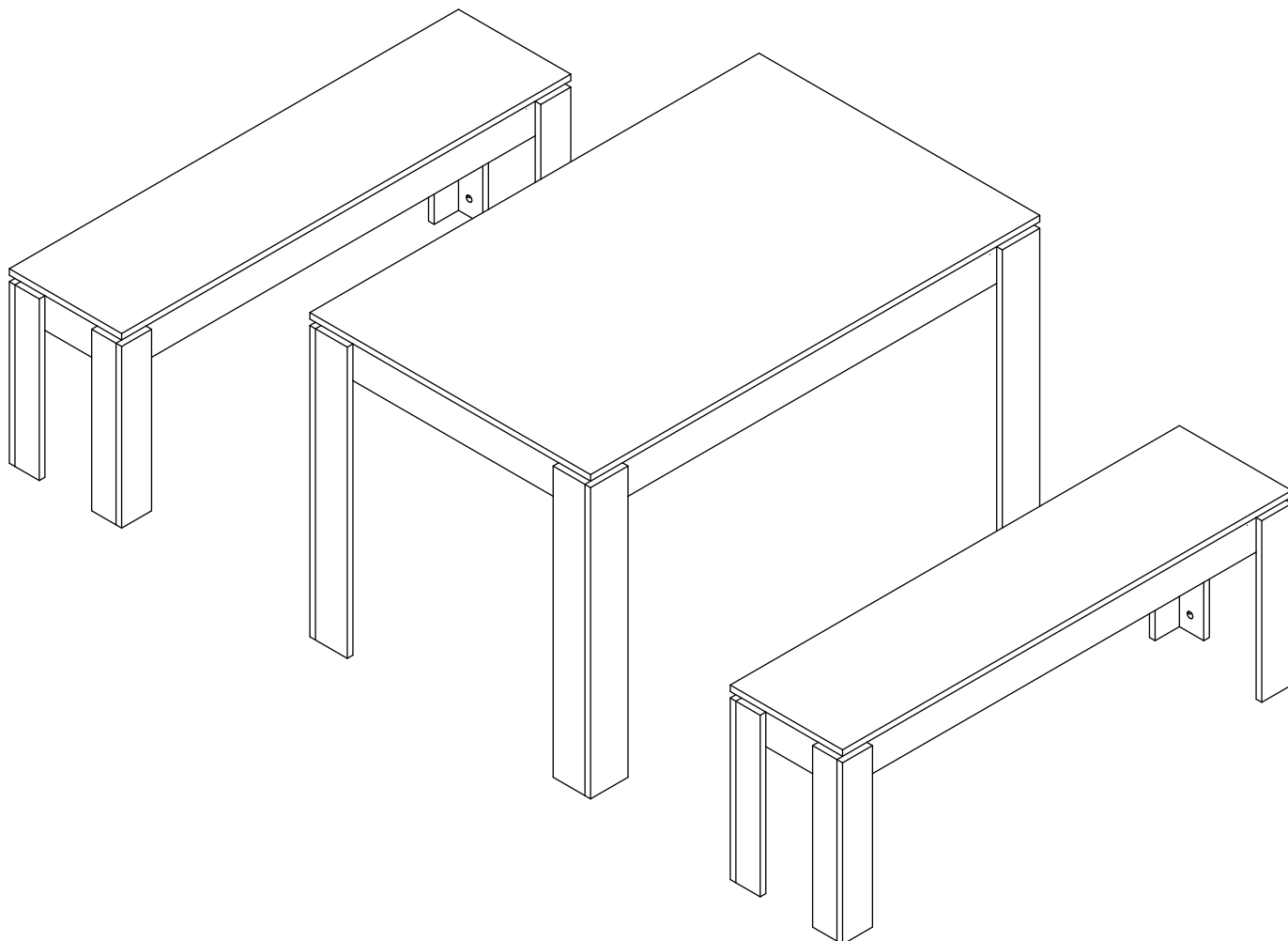
Step 16

| You will need | |
|---|--|
|  | |
| 8 x Stickers (H8) | |



Cover the cam nut holes on Legs (P11 x 2 & P13 x 2) using 4 x Stickers (H8). Repeat this Step for another Bench.

Step 17



Job Complete!

In the interest of our environment please dispose of all packaging thoughtfully.