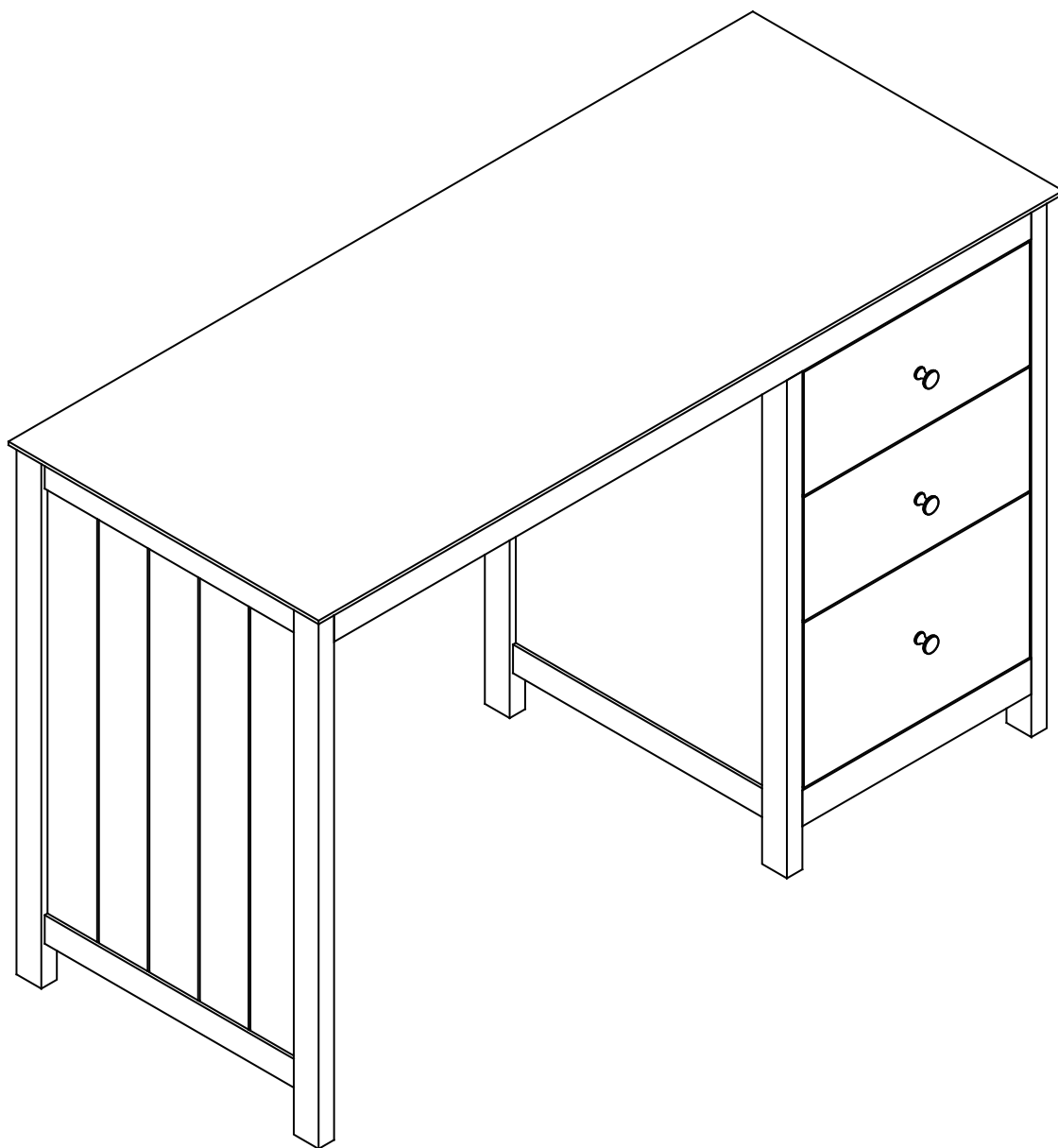




**Fantastic
Furniture**

Version 1.0



Hamilton

Desk 3 Drawer

fantasticfurniture.com.au

Recommended weight capacity : 60kg on top.

Looks like you've found your Fantastic!

We're thrilled you've chosen Fantastic Furniture
to help create a home you'll love



Fantastic Furniture

Love it? Share it!

Fantastic buy! Share how it looks at home for your
chance to win a \$250 Fantastic Furniture Gift Card!

fantasticfurniture

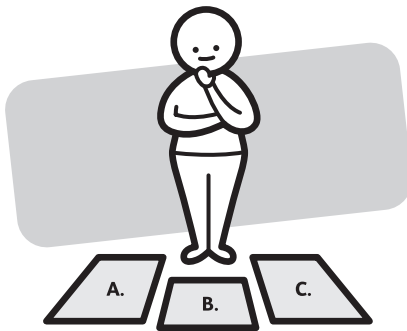
Assembly Checklist



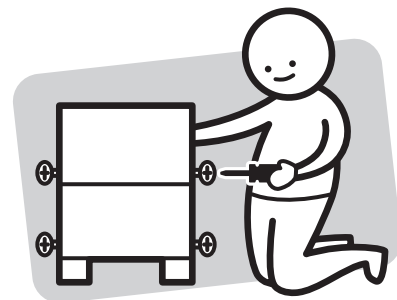
Read through the instructions carefully before you begin.



Make sure you have all the required tools. Never use power tools unless instructed.



Identify and lay out all of the components before you begin assembly.



Unless instructed, do not fully tighten screws until the item is fully assembled.

Useful Information

- ! Never use power tools unless specifically instructed. They can damage your components or hardware if used incorrectly.
- ! The most common mistakes made during assembly are using the wrong hardware or getting components back to front.
- ! Always use a soft surface (such as carpet or cardboard) when assembling your product to avoid scratching or damaging the surface of the product.
- ! Bulky items such as wardrobes and bunk beds should be assembled in the room they will be used in as they may not fit through a door once assembled.
- ! Never use any glue until you are certain that the parts belong together.
- ! Periodically check and re-tighten all fasteners. Check the product care label or website for product care instructions.
- ! If you are having any difficulties assembling your product, missing any hardware or components please visit our website Help Centre for further assistance.
- ! Please see page 2 for any safety requirements or weight restrictions.

What you need

to assemble the product



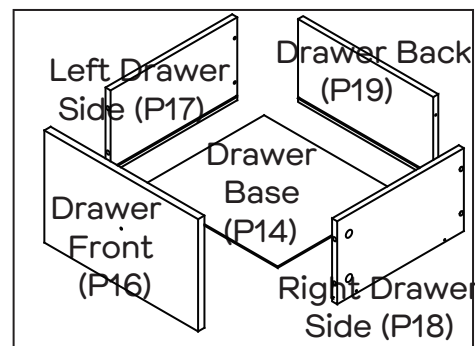
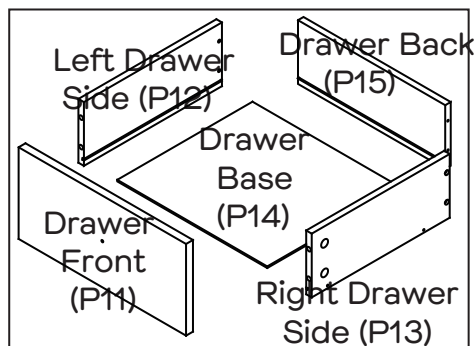
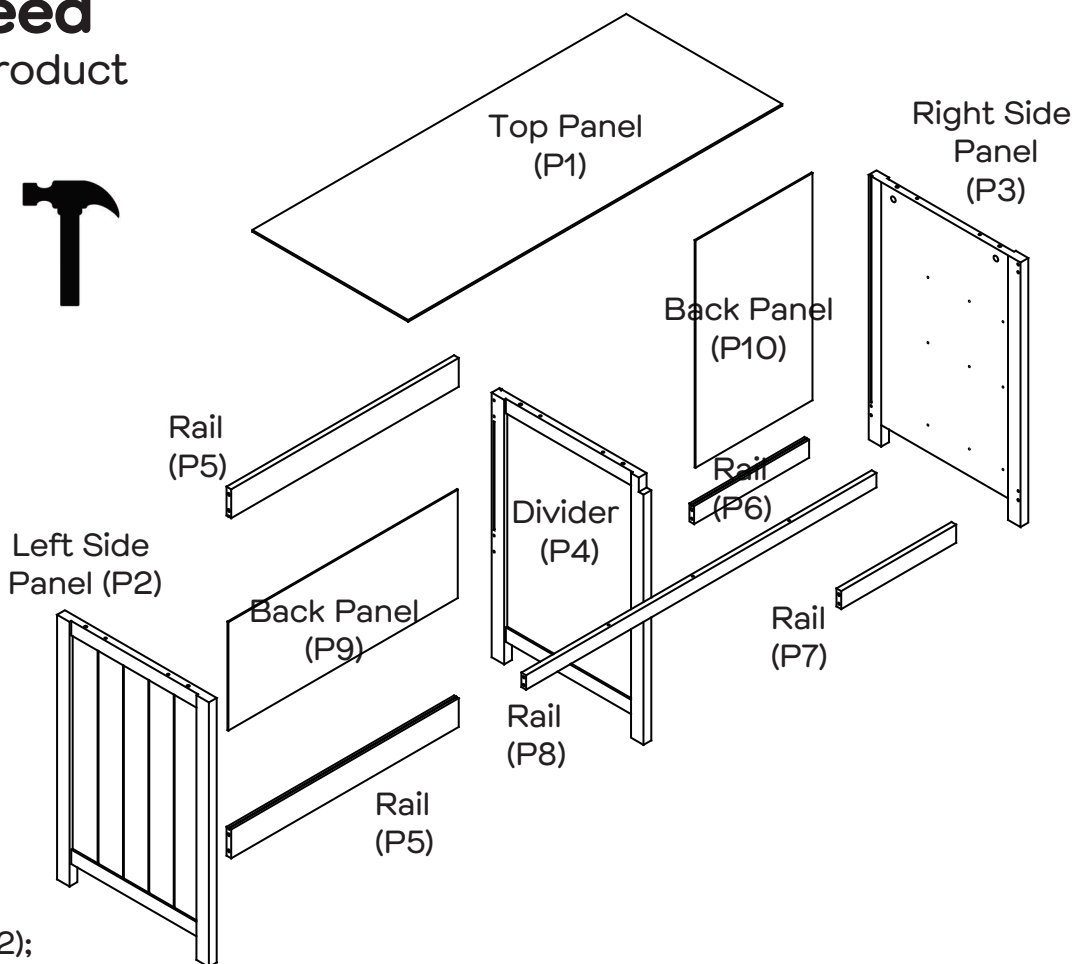
DO NOT USE



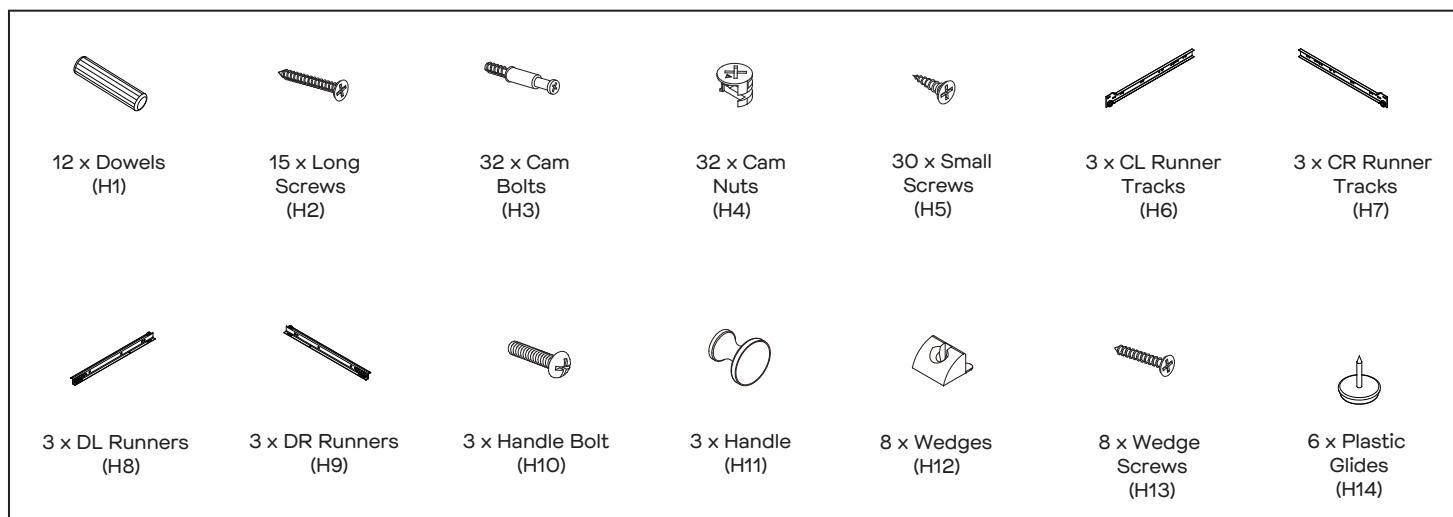
Other tools you need:
Phillips head screwdriver;
Hammer

Parts list

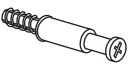



Top Panel (P1);
Left Side Panel (P2);
Right Side Panel (P3);
Divider (P4);
2 x Rails (P5); Rail (P6);
Rail (P7); Rail(P8);
Back Panel (P9);
Back Panel (P10);
2 x Drawer Front (P11);
2 x Left Drawer Side (P12);
2 x Right Drawer Side (P13);
3 x Drawer Base (P14);
2 x Drawer Back (P15);
Drawer Front (P16);
Left Drawer Side (P17);
Right Drawer Side (P18);
Drawer Back (P19)

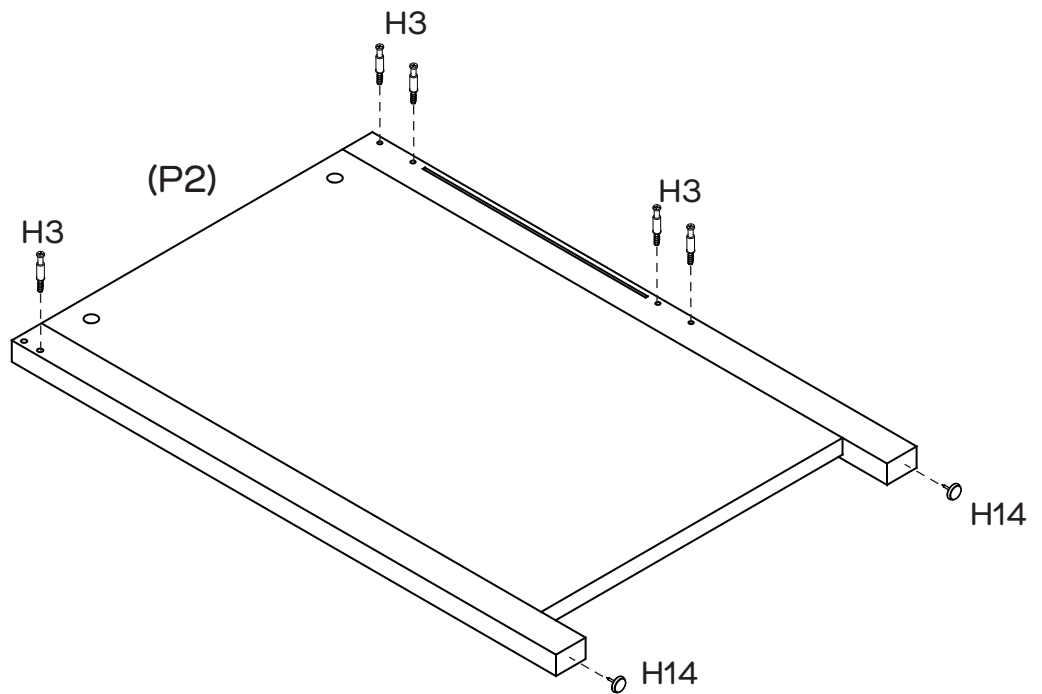


Hardware pack



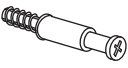
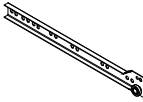




Step 1

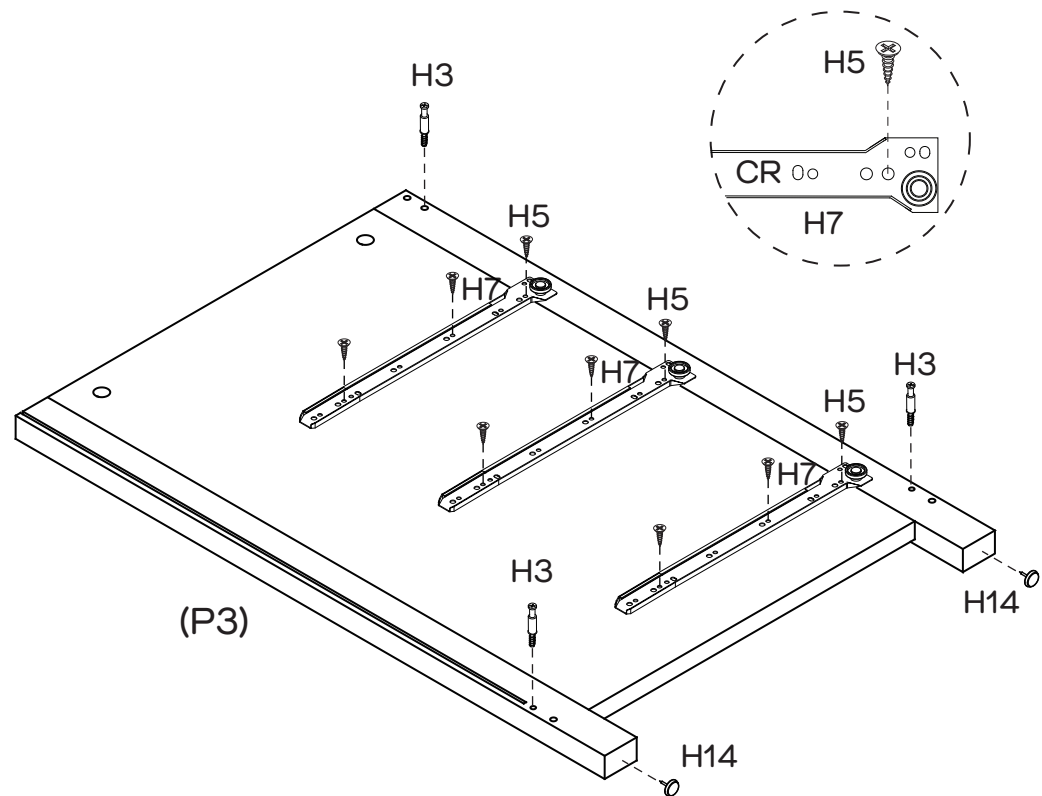
You will need	
	
5 x Cam Bolts (H3)	Phillips Head Screwdriver
	
2 x Plastic Glides (H14)	Hammer



Attach 5 x Cam Bolts (H3) to Left Side Panel (P2) by tightening with the Phillips Head Screwdriver. Secure 2 x Plastic Glides (H14) to the bottom of Left Side Panel (P2) with the Hammer.

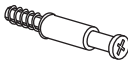
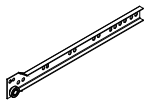




Step 2

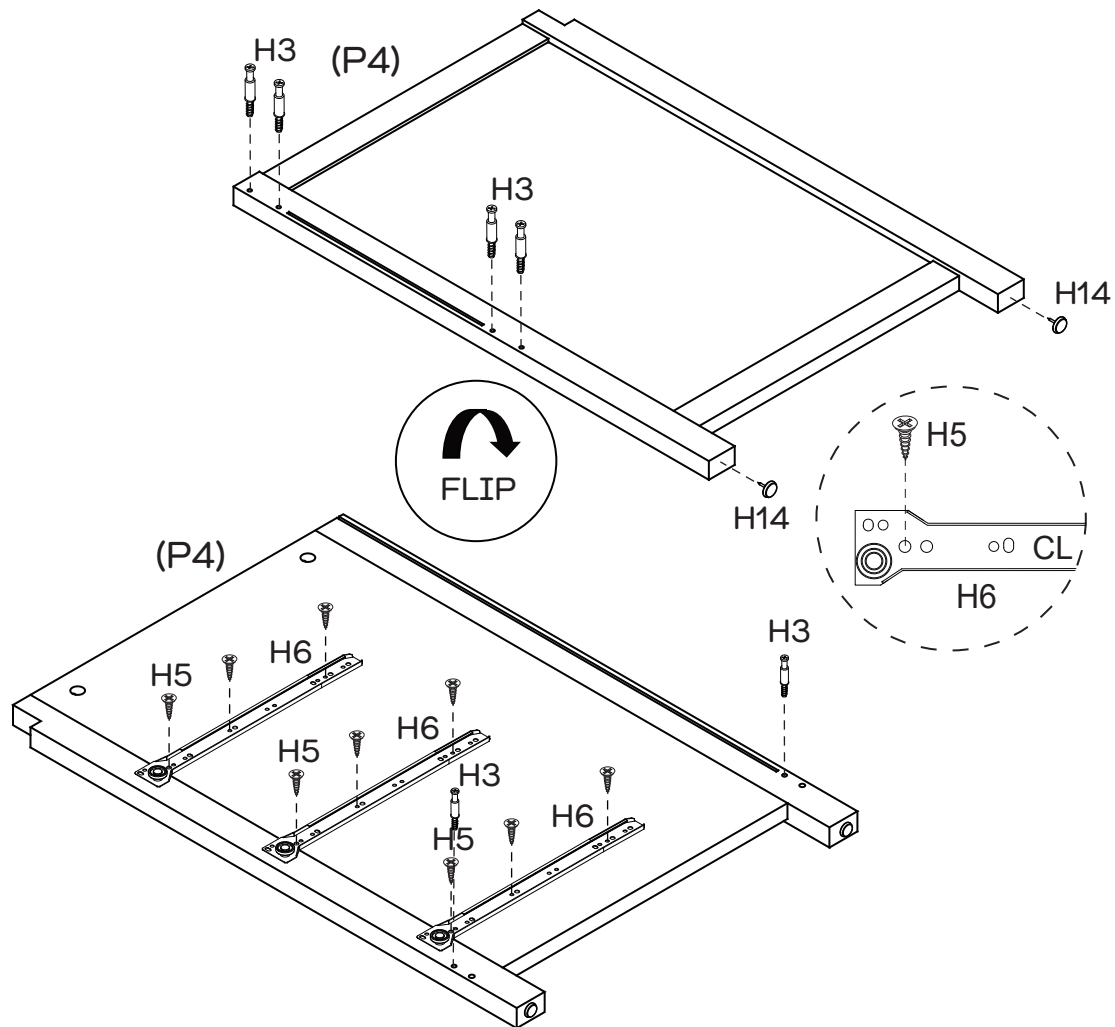
You will need	
	
3 x Cam Bolts (H3)	3 x CR Runner Tracks (H7)
	
9 x Small Screws (H5)	2 x Plastic Glides (H14)
	
Phillips Head Screwdriver	Hammer



Attach 3 x Cam Bolts (H3) and 3 x CR Runner Tracks (H7) to Right Side Panel (P3) with 9 x Small Screws (H5) by tightening with the Phillips Head Screwdriver. Secure 2 x Plastic Glides (H14) to the bottom of Right Side Panel (P3) with the Hammer.

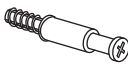

Step 3

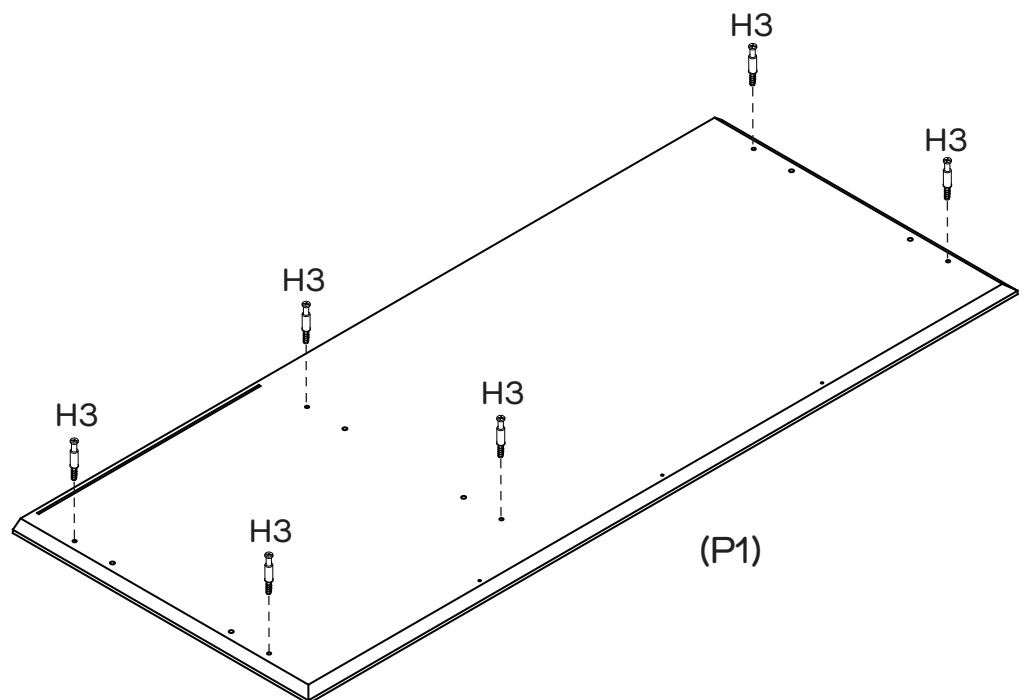
You will need	
	
6 x Cam Bolts (H3)	3 x CL Runner Tracks (H6)
	
9 x Small Screws (H5)	2 x Plastic Glides (H14)
	
Phillips Head Screwdriver	Hammer



Attach 2 x Cam Bolts (H3) and 3 x CL Runner Tracks (H6) to Divider (P4) with 9 x Small Screws (H5) by tightening with the Phillips Head Screwdriver. Flip the Divider (P4) over, and attach 4 x Cam Bolts (H3) to Divider (P4) by tightening with the Phillips Head Screwdriver. Secure 2 x Plastic Glides (H14) to the bottom of Divider Panel (P4) with the Hammer.

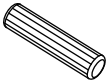


Step 4

You will need	
	
6 x Cam Bolts (H3)	Phillips Head Screwdriver

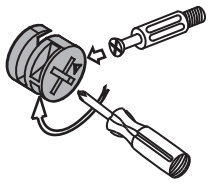


Attach 6 x Cam Bolts (H3) to Top Panel (P1) by tightening with the Phillips Head Screwdriver.

Step 5

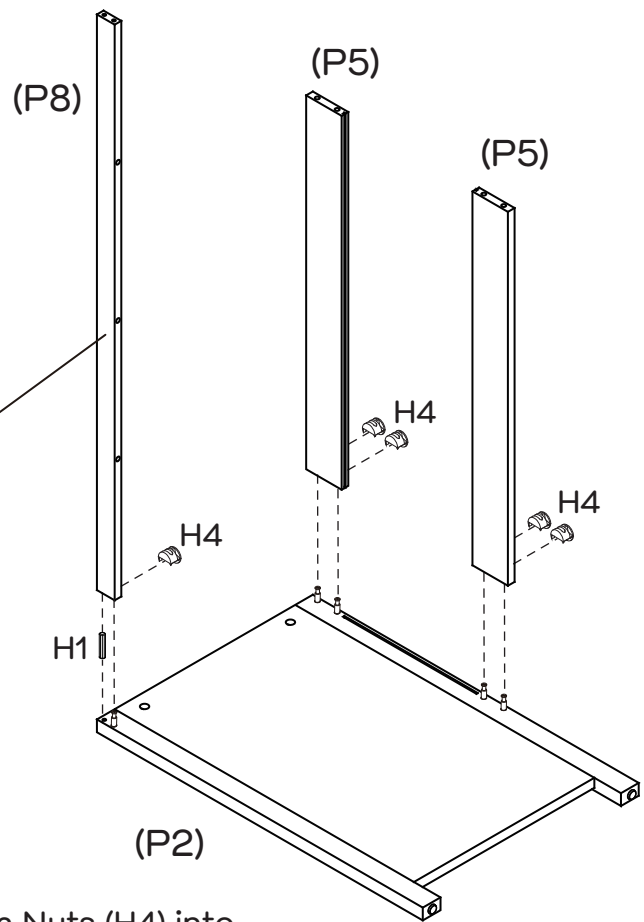
You will need	
	
1 x Dowels (H1)	5 x Cam Nuts (H4)
	
Phillips Head Screwdriver	

This is how a cam nut works.....



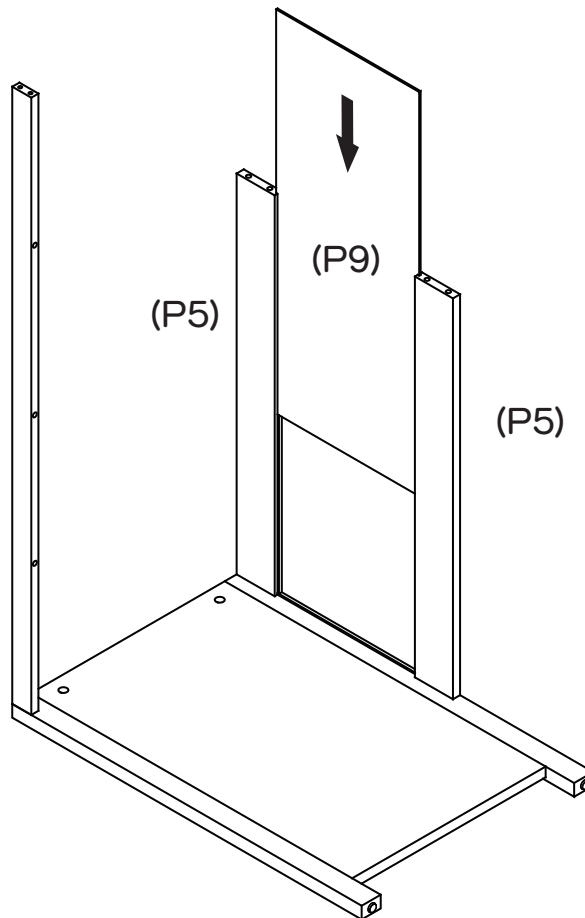
The head of the cam bolt goes into the open mouth of the cam nut. You then turn the cam nut so it tightens over the bolt.

Countersink
face bottom





Insert 1 x Dowel (H1) into Rail (P8) and 5 x Cam Nuts (H4) into Rails (P5x2 & P8) as shown. Rotate the cam nuts so the arrow points towards the incoming cam bolts. Attach Rails (P5x2 & P8) to Left Side Panel (P2) by tightening all Cam Nuts with the Phillips Head Screwdriver.

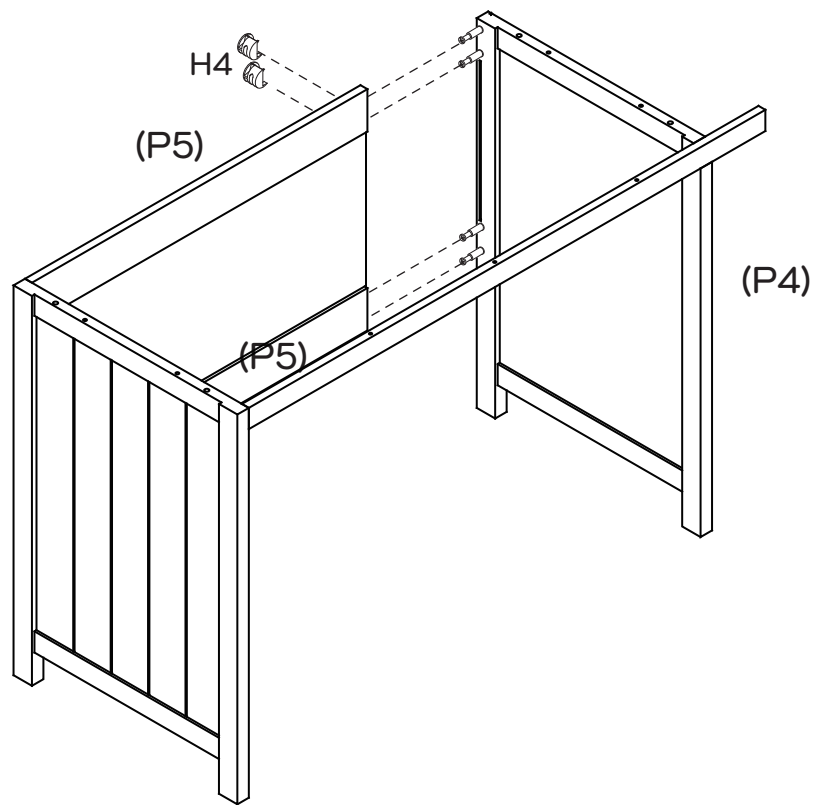
Step 6



Slide Back Panel (P9) into the grooves of Rails (P5x2).


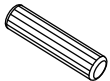

Step 7

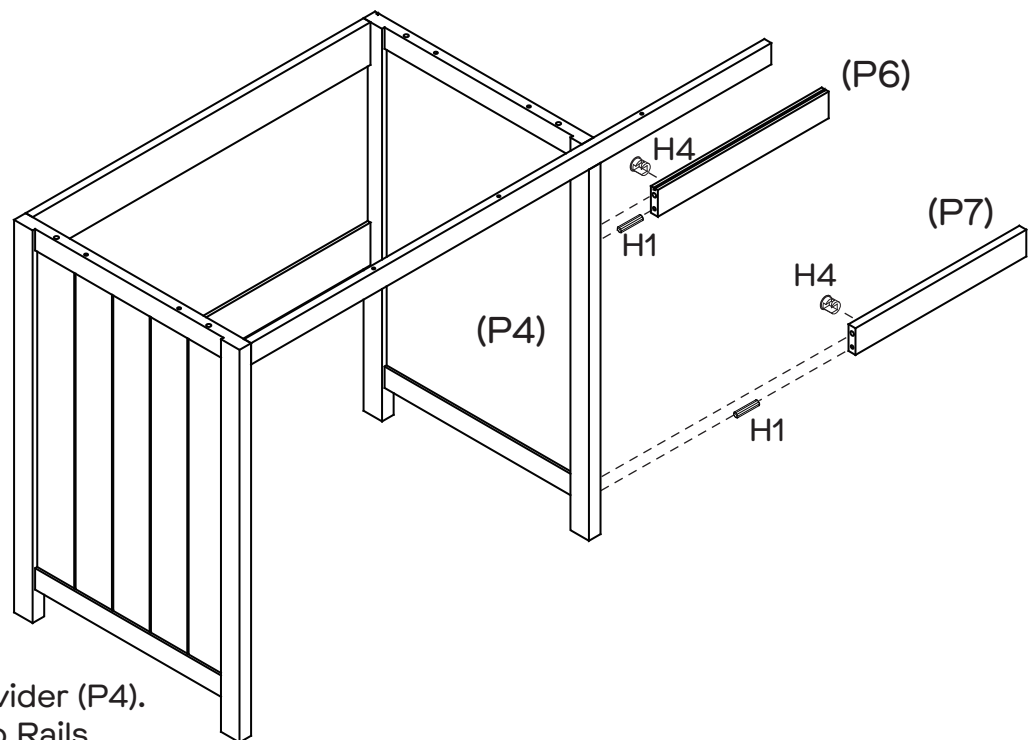
You will need	
	
4 x Cam Nuts (H4)	Phillips Head Screwdriver



Insert 4 x Cam Nuts (H4) into Rails (P5x2) as shown. Rotate the cam nuts so the arrows point towards the incoming cam bolts. Attach Rails (P5x2) to Divider (P4) by tightening all cam nuts with the Phillips Head Screwdriver.


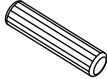

Step 8

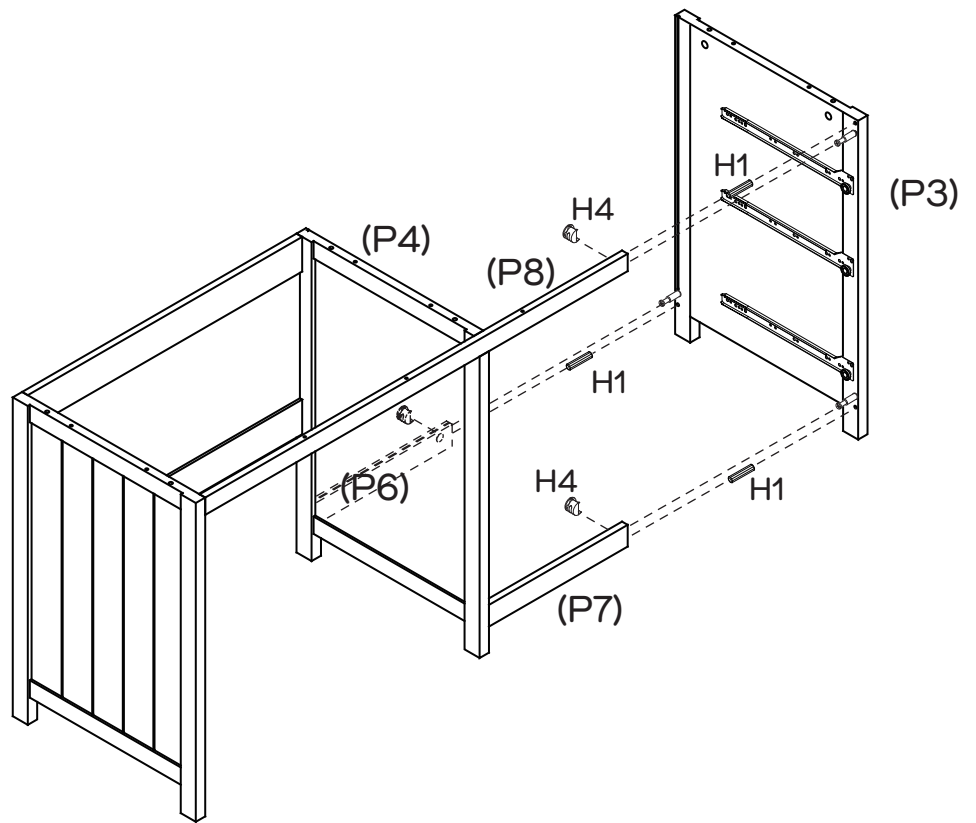
You will need	
	
2 x Cam Nuts (H4)	2 x Dowels (H1)
	
Phillips Head Screwdriver	



Insert 2x Dowels (H1) into Divider (P4). Insert 2 x Cam Nuts (H4) into Rails (P6&P7) as shown. Rotate the cam nuts so the arrows point towards the incoming cam bolts. Attach Rails (P6&P7) to Divider (P4) by tightening all cam nuts with the Phillips Head Screwdriver.

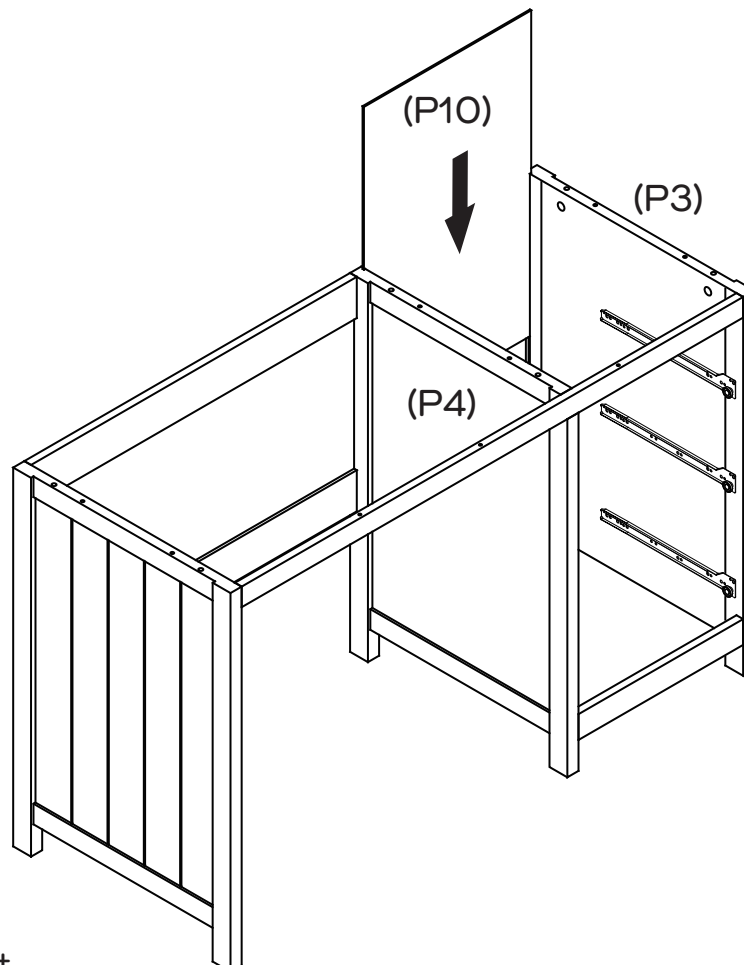
Step 9

You will need	
	
3 x Cam Nuts (H4)	3 x Dowels (H1)
	
Phillips Head Screwdriver	




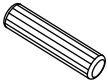


Insert 3x Dowels (H1) into Right Side Panel (P3). Insert 3 x Cam Nuts (H4) into Rails (P6&P7&P8) as shown. Rotate the cam nuts so the arrows point towards the incoming cam bolts. Attach Rails (P6&P7&P8) to Right Side Panel (P3) by tightening all cam nuts with the Phillips Head Screwdriver.

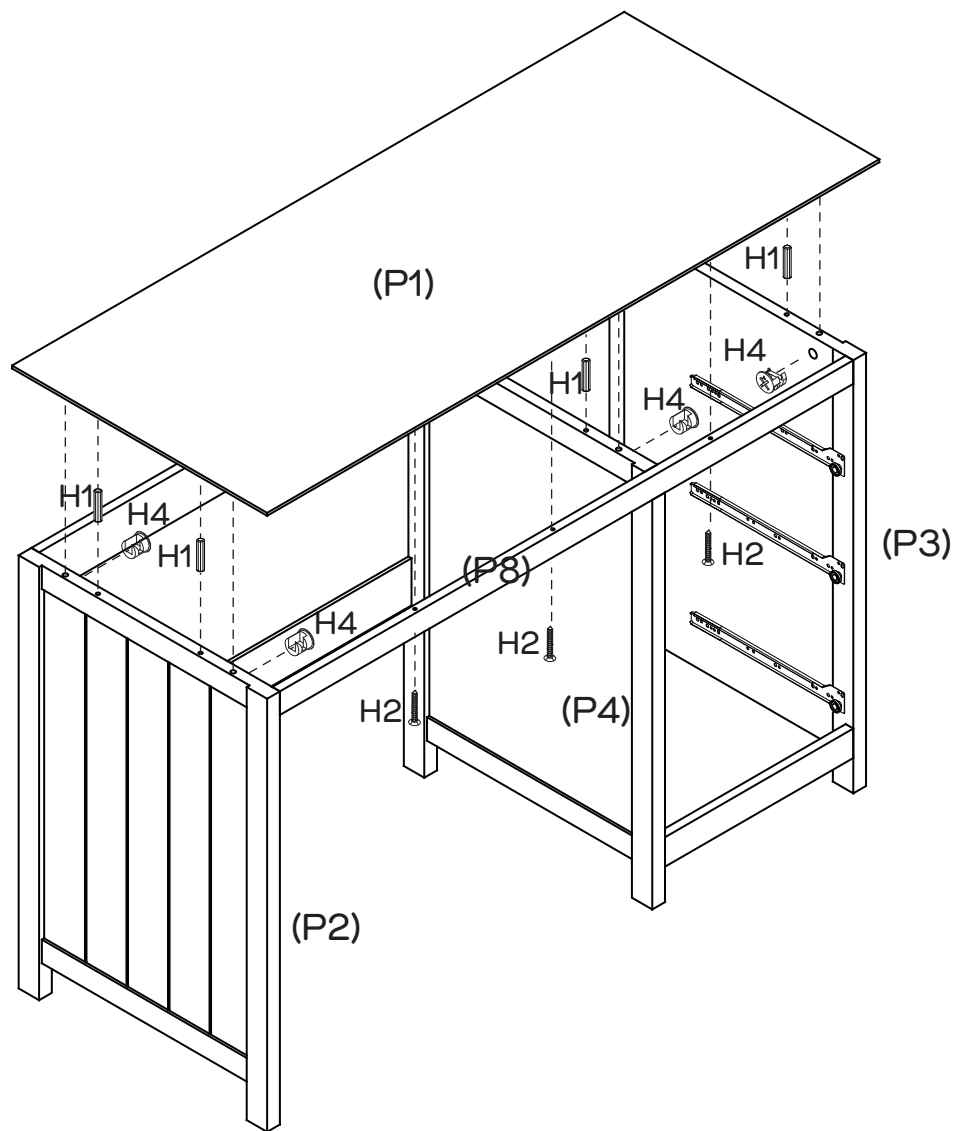
Step 10



Gently stand the unit upright. Slide Back Panel (P10) into the grooves of Divider & Right Side Panel (P4&P3).

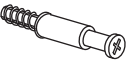

Step 11

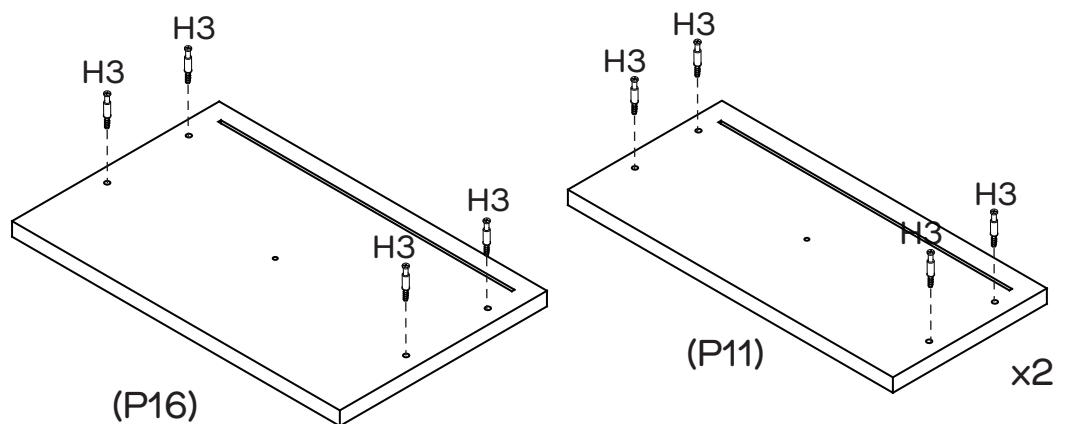
You will need	
	
6 x Cam Nuts (H4)	6 x Dowels (H1)
	
3 x Long Screws (H2)	Phillips Head Screwdriver



Insert 6 x Dowels (H1) and 6 x Cam Nuts (H4) into Divider & Right & Left Side Panels (P4&P2&P3) as shown. Rotate the cam nuts so the arrows point towards the incoming cam bolts. Attach Top Panel (P1) to unit by tightening cam nuts with the Phillips Head Screwdriver. Secure Top Panel (P1) to Rail (P8) with 3 x Long Screws (H2) by tightening with the Phillips Head Screwdriver.



Step 12

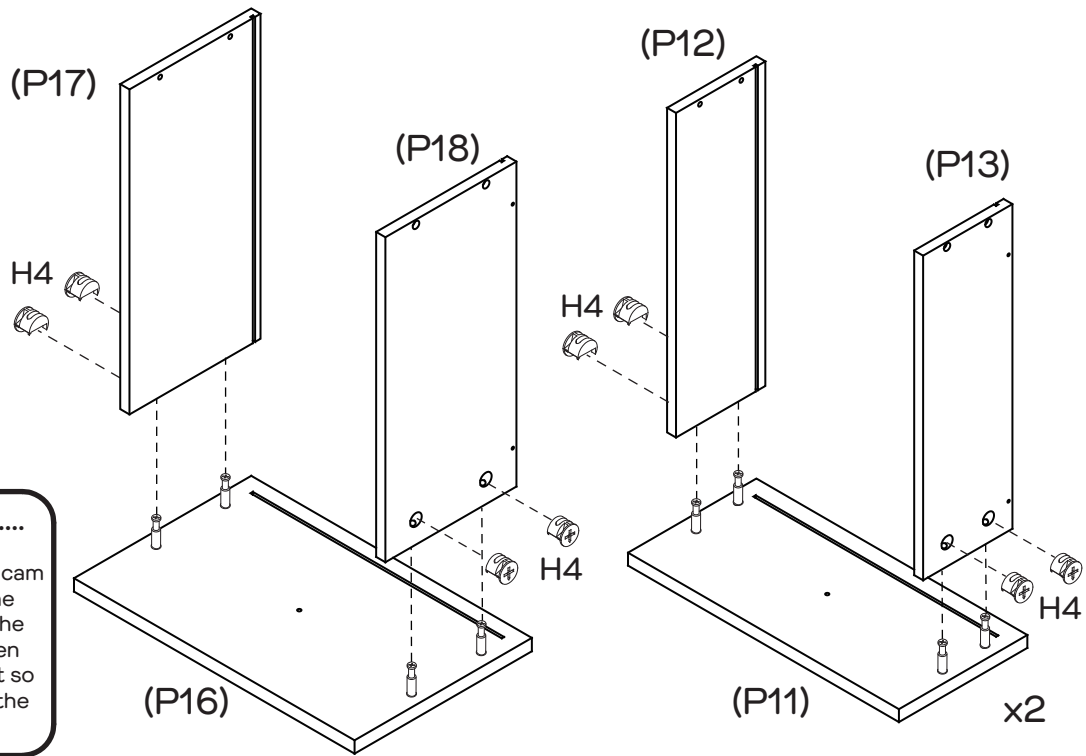
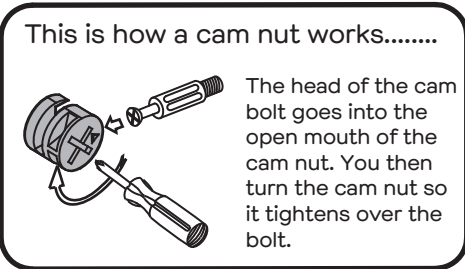
You will need	
	
12 x Cam Bolts (H3)	Phillips Head Screwdriver



Attach 12 x Cam Bolts (H3) to Drawer Fronts (P11x2&P16) by tightening with the Phillips Head Screwdriver.

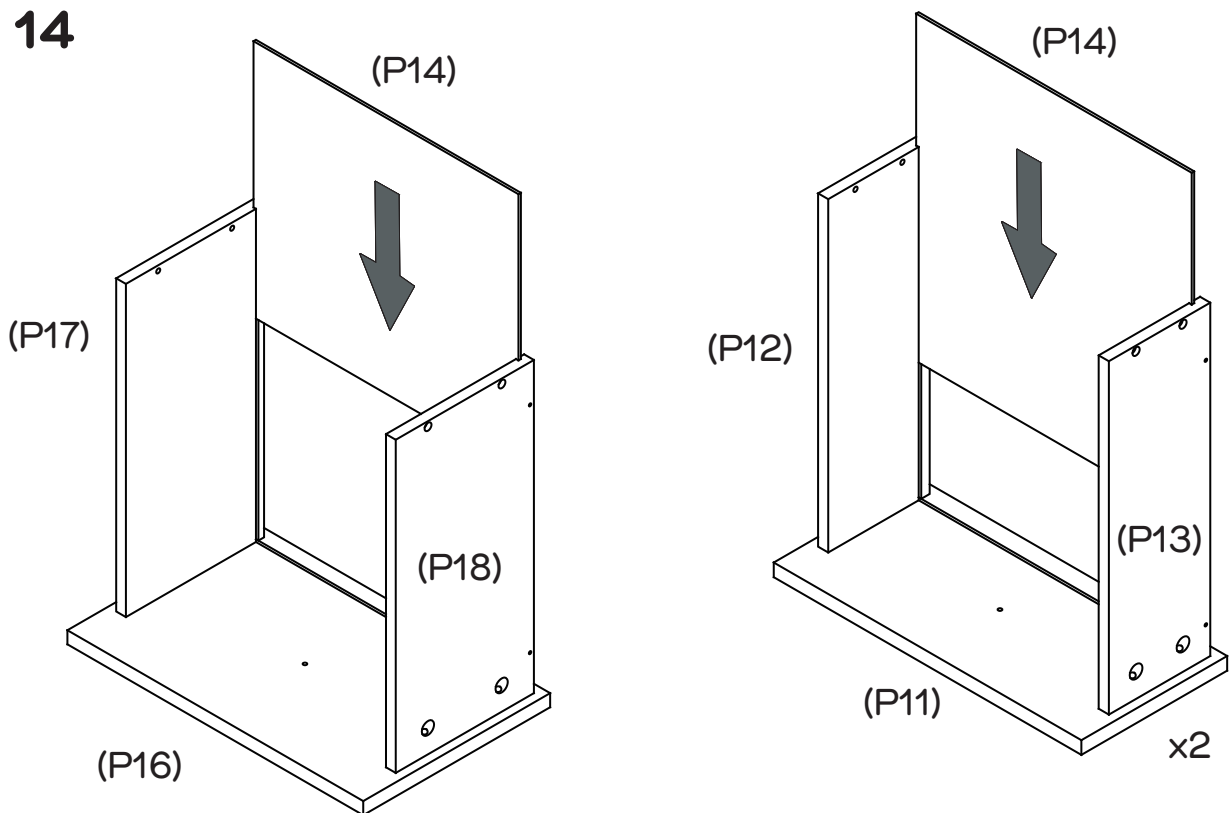
Step 13

You will need	
	
12 x Cam Nuts (H4)	Phillips Head Screwdriver





Insert 12 x Cam Nuts (H4) into Left & Right Drawer Sides (P17&P18&P12x2&P13x2) as shown. Rotate the cam nuts so the arrows point towards the incoming cam bolts. Attach Left & Right Drawer Sides (P17&P18&P12x2&P13x2) to Drawer Fronts (P11x2&P16) by tightening the cam nuts with the Phillips Head Screwdriver.

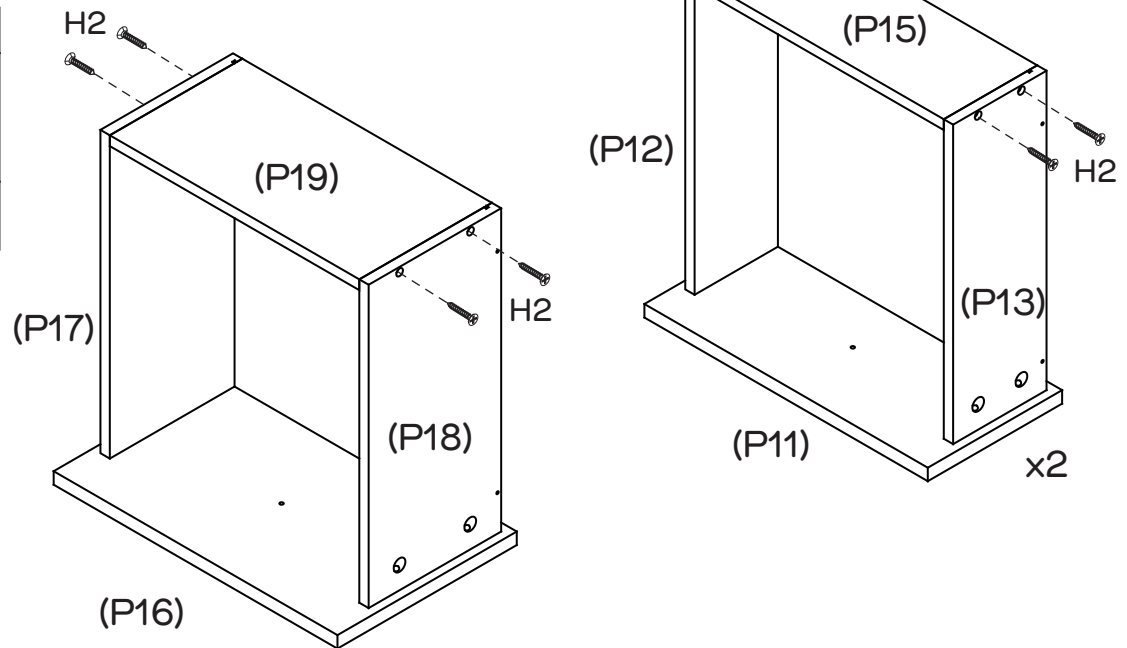
Step 14



Slide Drawer Bases (P14x3) into the grooves of Left & Right Drawer Sides (P17&P18&P12x2&P13x2).

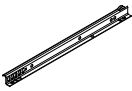
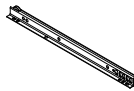


Step 15

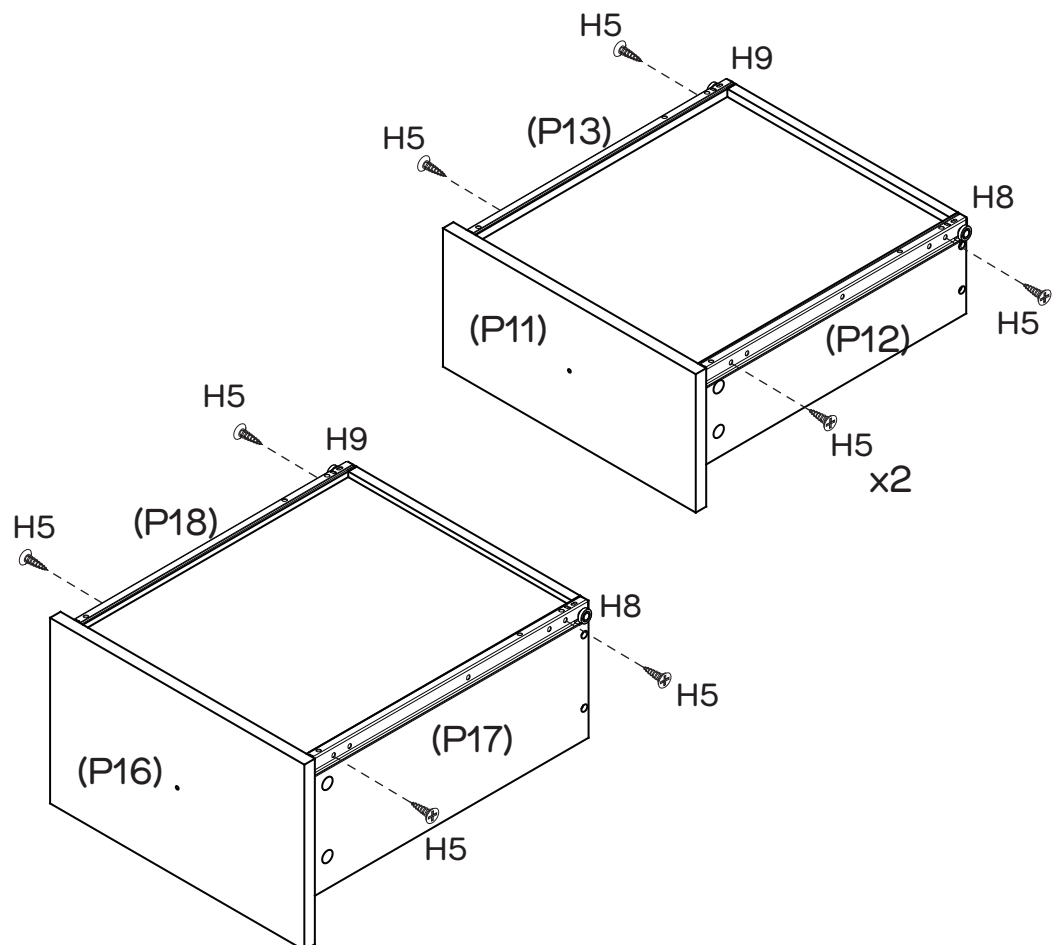
You will need	
	
12 x Long Screws (H2)	Phillips Head Screwdriver



Attach Drawer Backs (P19&P15x2) to Left & Right Drawer Sides (P17&P18&P12x2&P13x2) with 12 x Long Screws (H2) by tightening with the Phillips Head Screwdriver. Ensure the Drawer Base lines up with the grooves the whole way around the drawer before securing.




Step 16

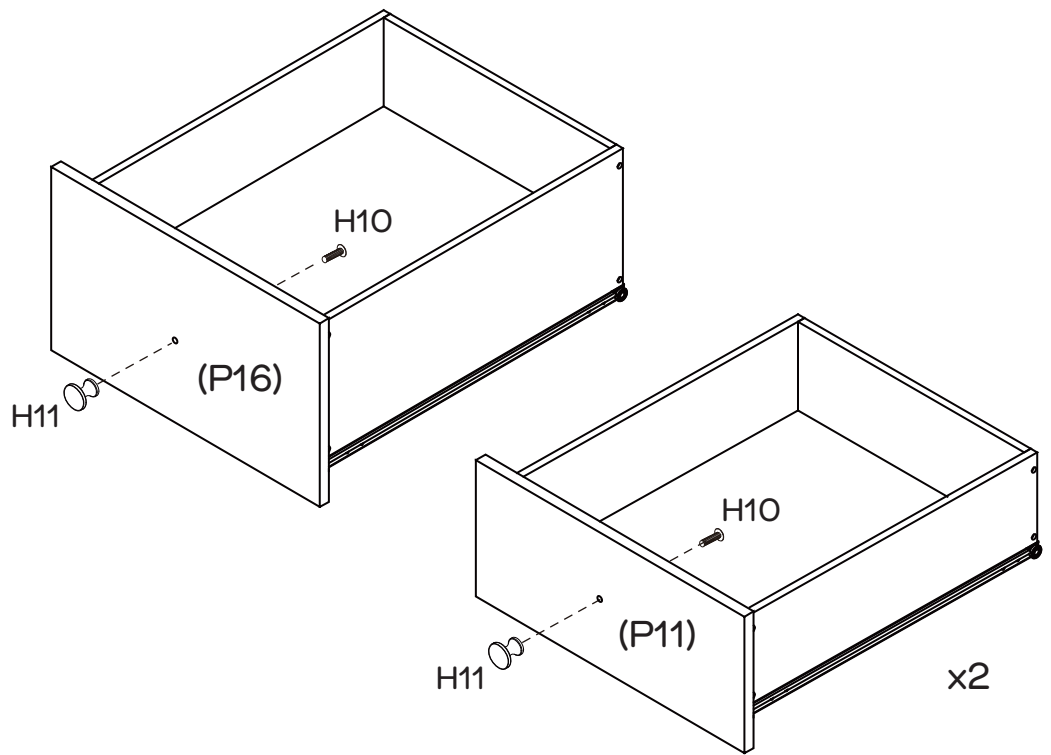
You will need	
	
3 x DL Runners (H8)	3 x DR Runners (H9)
	
12 x Small Screws (H5)	Phillips Head Screwdriver



Attach 3 x DL Runners (H8) to the bottom of Left Drawer Sides (P17&P12x2) and 3 x DR Runners (H9) to the bottom of Right Drawer Sides (P18&P13x2) with 12 x Small Screws (H5) by tightening with the Phillips Head Screwdriver.

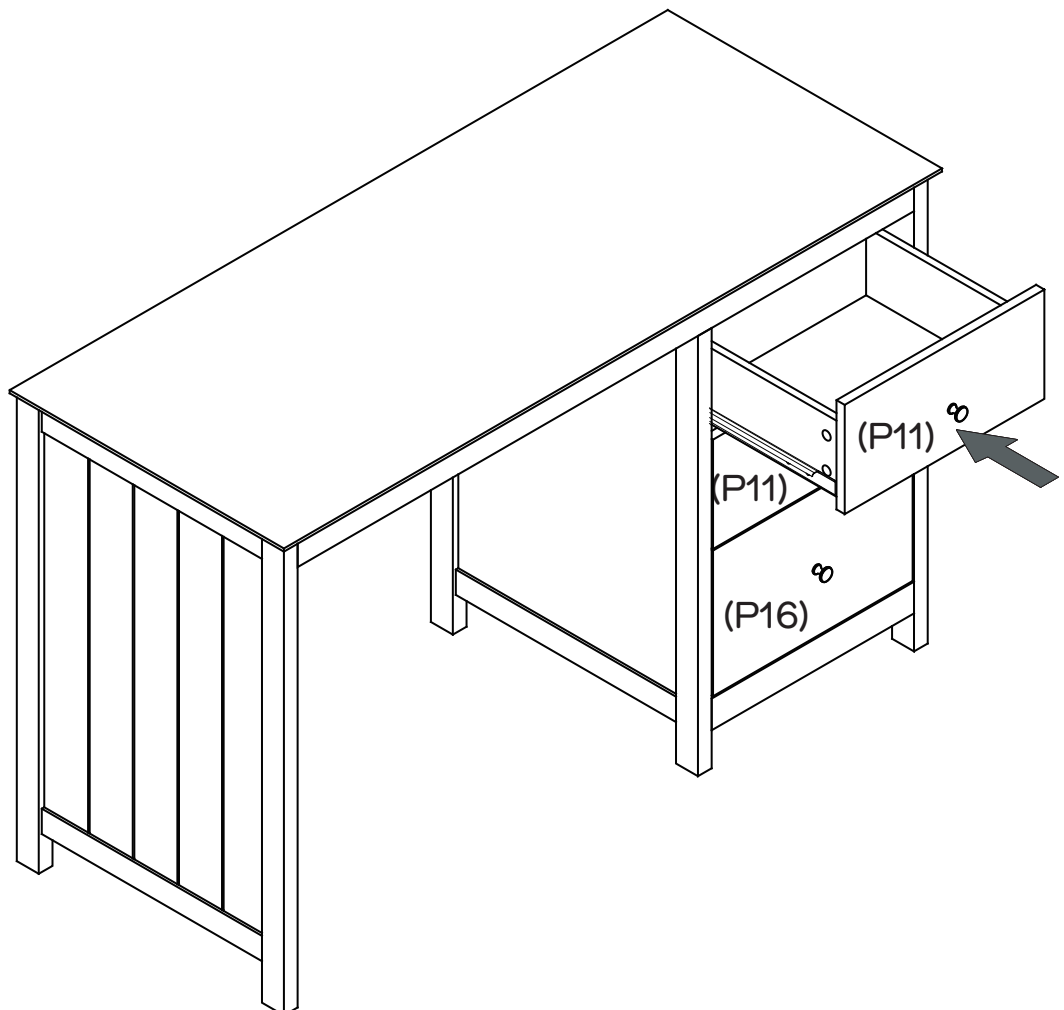
Step 17

You will need	
	
3 x Handle Bolts (H10)	3 x Handles (H11)
	
Phillips Head Screwdriver	



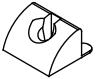


Attach 3 x Handles (H11) to Drawer Fronts (P11x2&P16) with 3 x Handle Bolts (H10) by tightening with the Phillips Head Screwdriver.

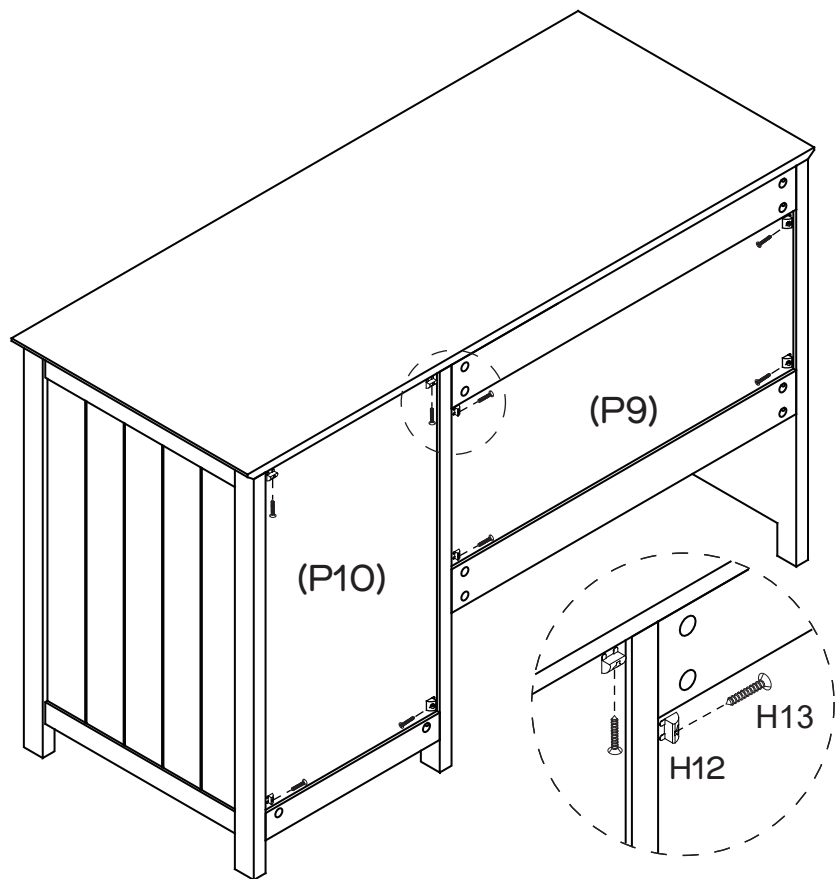
Step 18



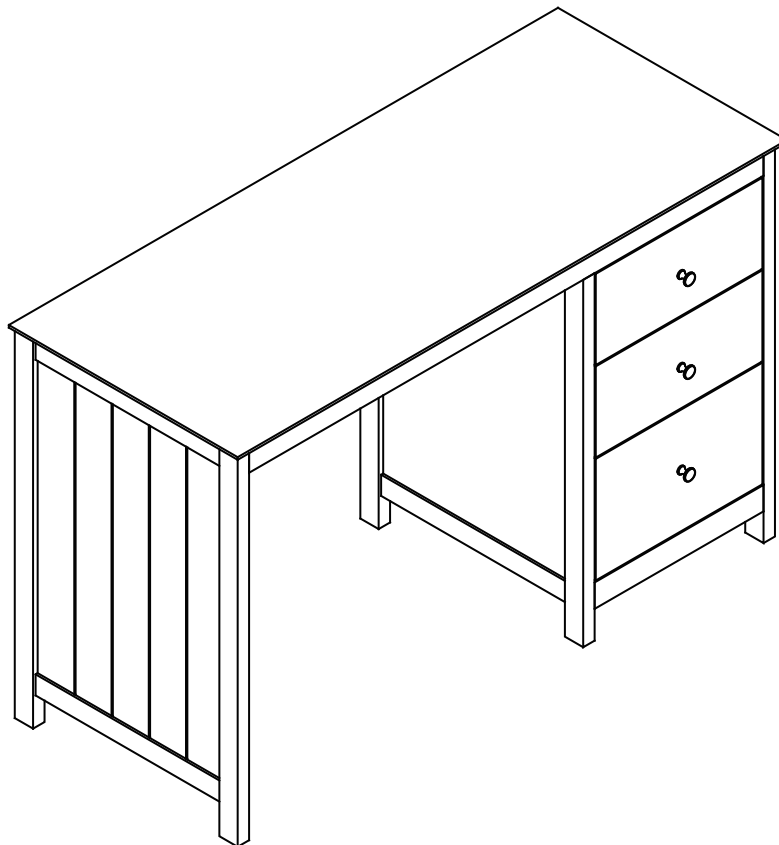
Carefully insert the drawers into the desk by gently guiding the runners into the tracks.

Step 19

You will need	
	
8 x Wedges (H12)	8 x Wedge Screws (H13)
	
Phillips Head Screwdriver	



Secure Back Panel (P9&P10) in place with 8 x Wedges (H12) using 8 x Wedge Screws (H13) by tightening with the Phillips Head Screwdriver.



Job Complete!

In the interest of our environment please dispose of all packaging thoughtfully.