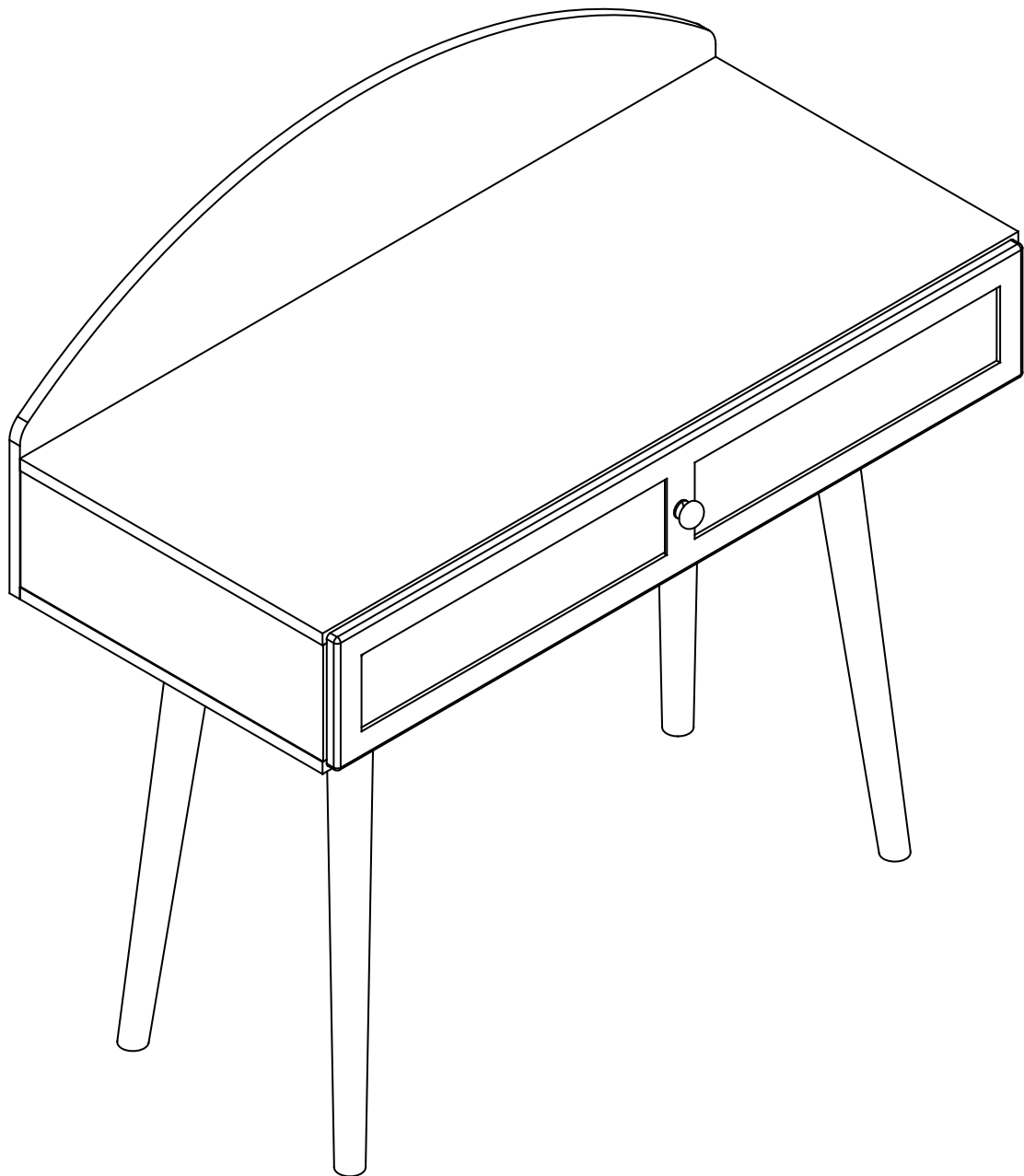




**Fantastic
Furniture**

Version 1.0



Twilight

Desk 1 Drawer

fantasticfurniture.com.au

Secure it!

Reduce the risk of furniture tip-over accidents



WARNING: ENSURE THE WALL STRAP IS ATTACHED TO AVOID SERIOUS INJURY OR DEATH.

To avoid any serious or fatal injury, a wall strap has been provided with this product to prevent toppling. We strongly recommend that this product is permanently fixed to the wall or other suitable surface. Fixing devices are not included since different surface materials require different attachments. Please seek professional advice if you are in doubt of what fixing device to use.

Recommended Weight Capacity :10kg/drawer

To reduce the risk of furniture tipover:



- Do not allow children to stand, climb or hang on furniture. It may topple and cause serious injury or death.

- Do not place toys or other child appealing items on top of this furniture, and place heaviest items towards the bottom of the furniture.

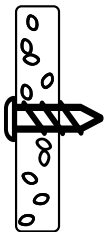
- Do not open more than one drawer at the time.



- Anchoring this product to a wall or other suitable surface is recommended. Check anchors regularly.

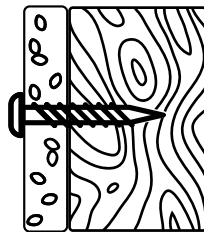
- Avoid putting a TV on this product.

Wall attachment guide



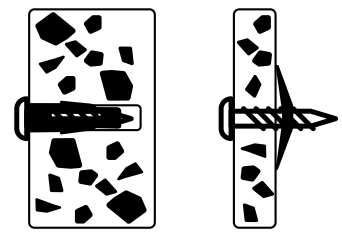
For plasterboard
(without available wood stud)

Securing method:
Self drilling plasterboard anchor.



For plasterboard
(with available wood stud)

Securing method:
Screw inserted directly into stud.



For masonry wall

Securing method:
Solid wall: Plug with screw
Hollow wall: Spring toggle

Please seek professional advice if you are in doubt of what fixing device to use.

Looks like you've found your Fantastic!

We're thrilled you've chosen Fantastic Furniture
to help create a home you'll love!



Fantastic Furniture

Love it? Share it!

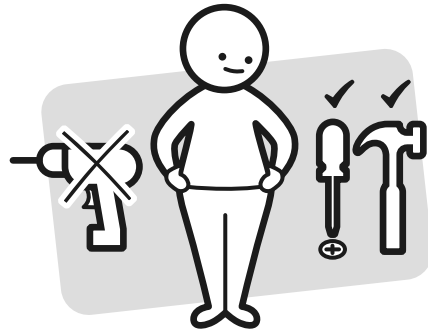
Fantastic buy! Share how it looks at home on Instagram for
your chance to win a \$250 Fantastic Furniture Gift Card!

@fantasticfurniture

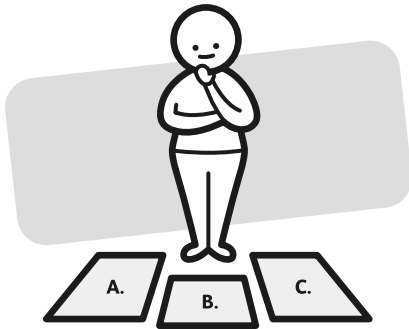
Assembly Checklist



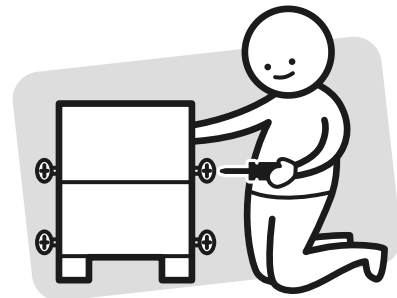
Read through the instructions carefully before you begin.



Make sure you have all the required tools. Never use power tools unless instructed.



Identify and lay out all of the components before you begin assembly.



Unless instructed, do not fully tighten screws until the item is fully assembled.

Useful Information

- ! Never use power tools unless specifically instructed. They can damage your components or hardware if used incorrectly.
- ! The most common mistakes made during assembly are using the wrong hardware or getting components back to front.
- ! Always use a soft surface (such as carpet or cardboard) when assembling your product to avoid scratching or damaging the surface of the product.
- ! Bulky items such as wardrobes and bunk beds should be assembled in the room they will be used in as they may not fit through a door once assembled.
- ! Never use any glue until you are certain that the parts belong together.
- ! Periodically check and re-tighten all fasteners. Check the product care label or website for product care instructions.
- ! If you are having any difficulties assembling your product, missing any hardware or components please visit our website Help Centre for further assistance.
- ! Please see page 2 for any safety requirements or weight restrictions.

What you need

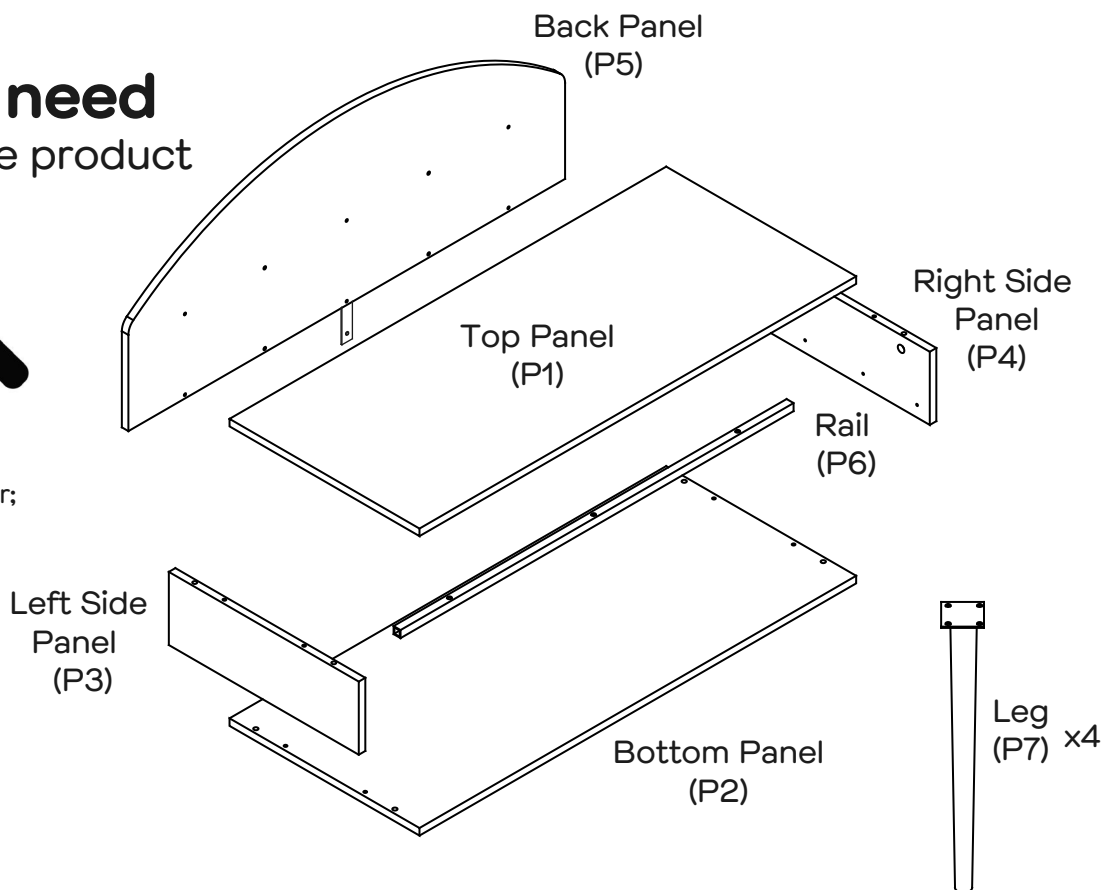
to assemble the product



DO NOT USE

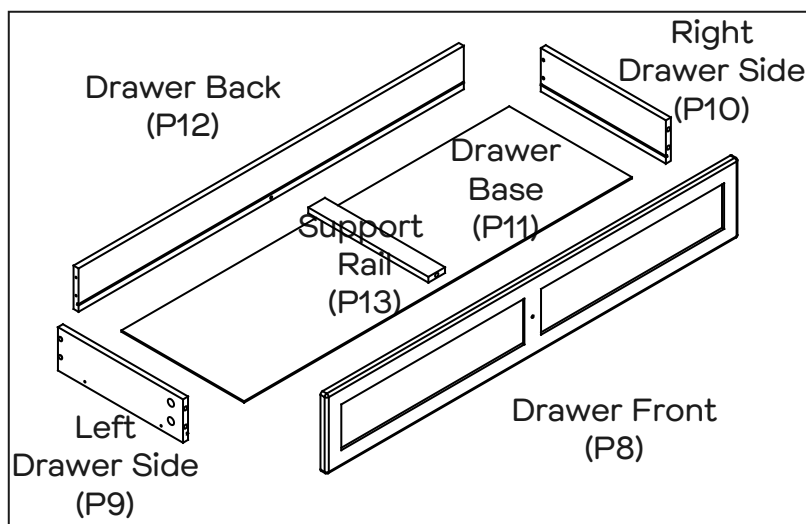


Other tools you need:
Phillips head screwdriver;

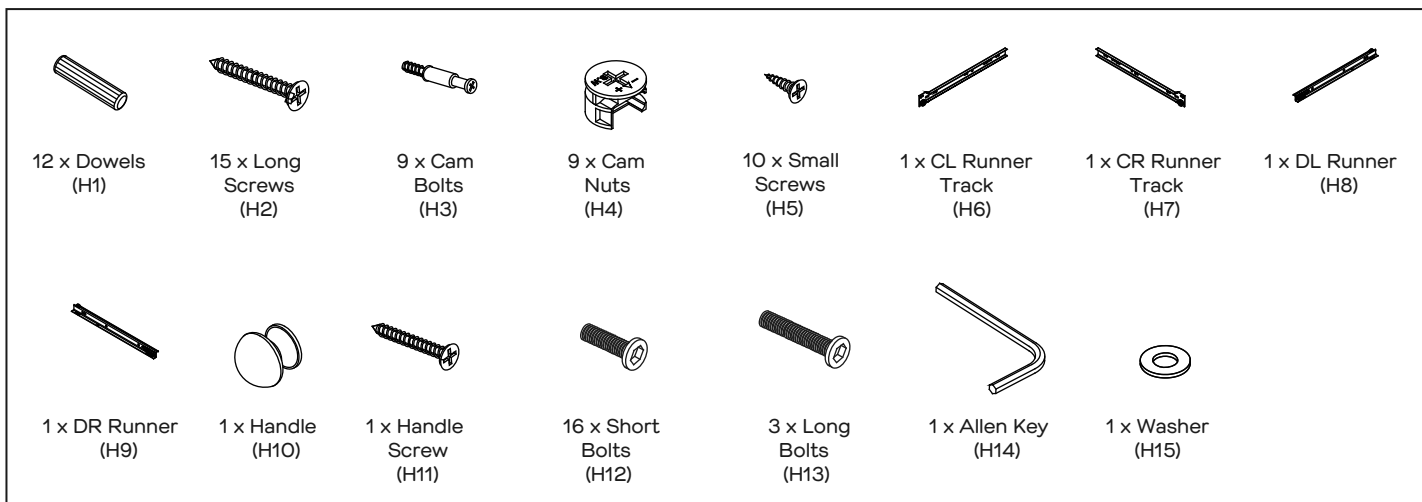


Parts list

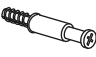

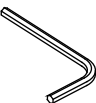

- Top Panel (P1);
- Bottom Panel (P2);
- Left Side Panel (P3);
- Right Side Panel (P4);
- Back Panel (P5);
- Rail (P6);
- 4 x Legs (P7);
- Drawer Front (P8);
- Left Drawer Side (P9);
- Right Drawer Side (P10);
- Drawer Base (P11);
- Drawer Back (P12);
- Support Rail (P13)

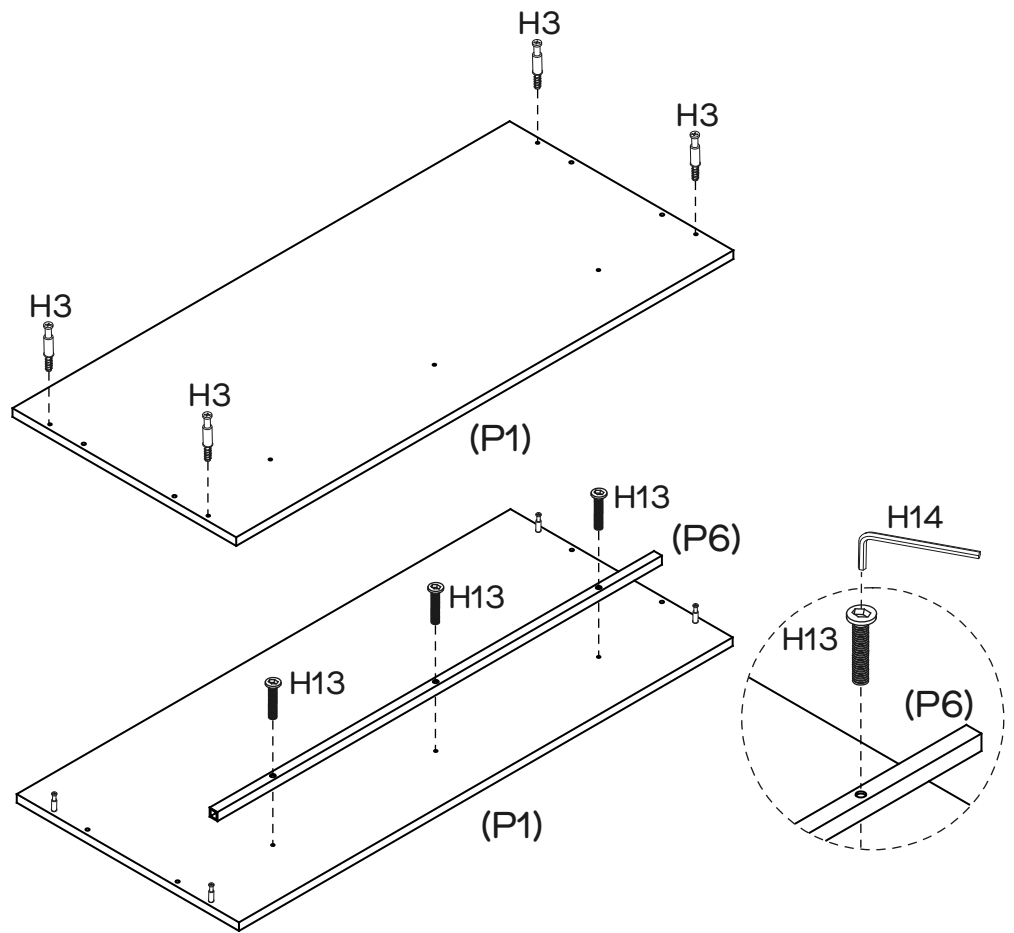


Hardware Pack



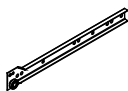
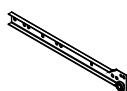


Step 1

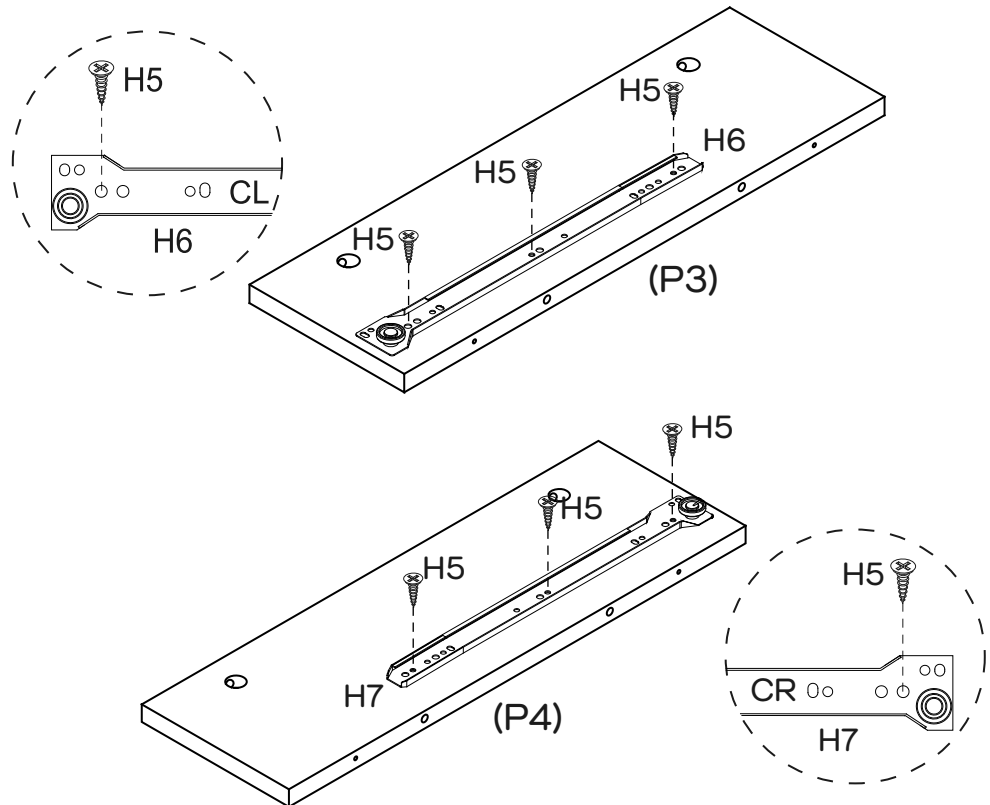
You will need	
	
4 x Cam Bolts (H3)	3 x Long Bolts (H13)
	
1 x Allen Key (H14)	Phillips Head Screwdriver



Attach 4 x Cam Bolts (H3) to Top Panel (P1) by tightening with the Phillips Head Screwdriver. Attach Rail (P6) to Top Panel (P1) with 3 x Long Bolts (H13) by tightening with the Allen Key (H14).

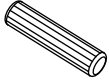


Step 2

You will need	
	
1 x CL Runner Tracks (H6)	1 x CR Runner Tracks (H7)
	
6 x Small Screws (H5)	Phillips Head Screwdriver

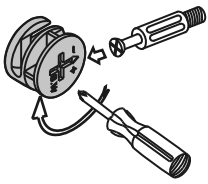


Attach 1 x CL Runner Track (H6) and 1 x CR Runner Track (H7) to Left & Right Side Panels (P3 & P4) with 6 x Small Screws (H5) by tightening with the Phillips Head Screwdriver.

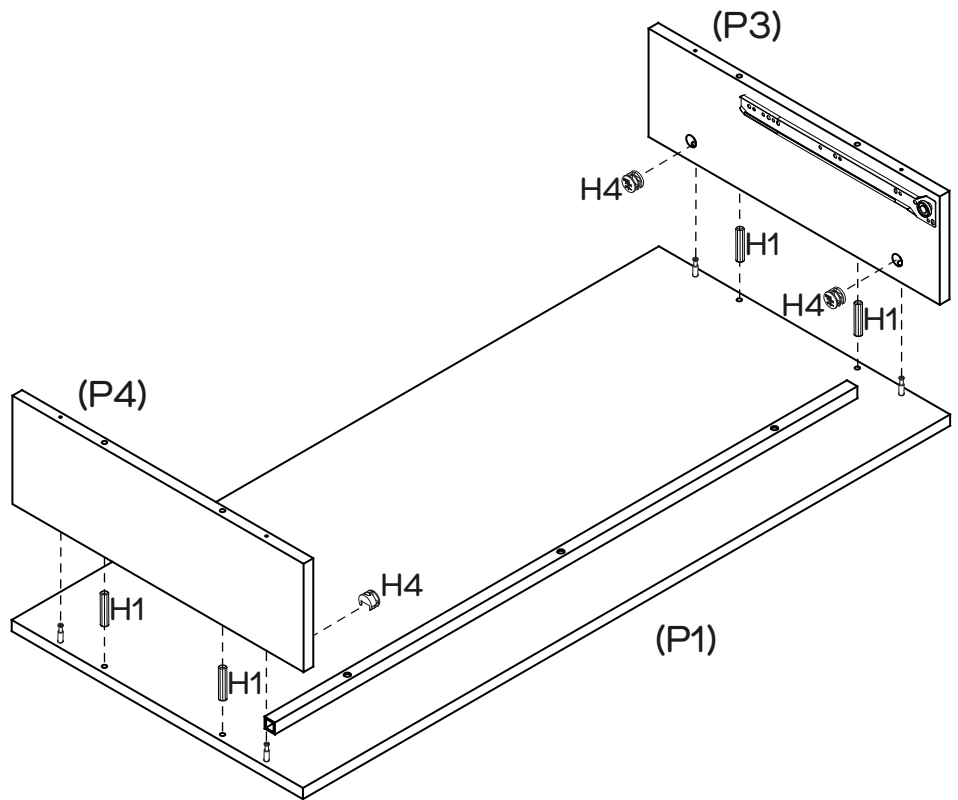
Step 3

You will need	
	
4 x Dowels (H1)	4 x Cam Nuts (H4)
	
Phillips Head Screwdriver	

This is how a cam nut works.....

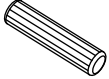




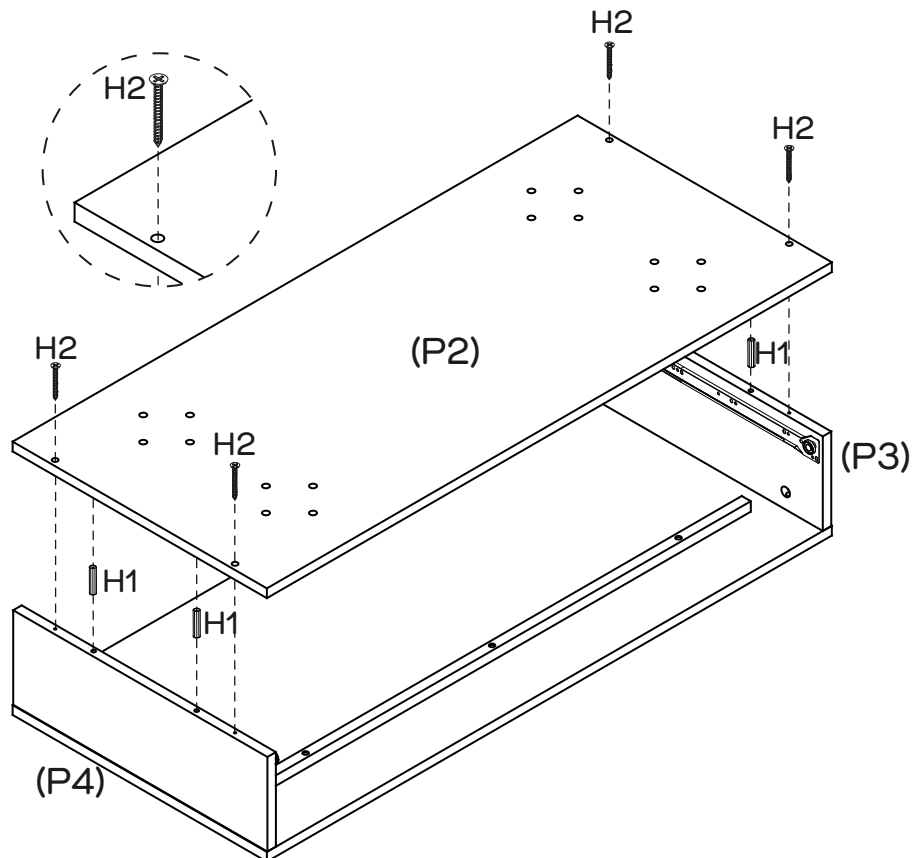
The head of the cam bolt goes into the open mouth of the cam nut. You then turn the cam nut so it tightens over the bolt.



Insert 4 x Dowels (H1) into Top Panel (P1). Insert 4 x Cam Nuts (H4) into Left & Right Side Panels (P3 & P4) as shown. Rotate the cam nuts so the arrows point towards the incoming cam bolts. Attach Left & Right Side Panels (P3 & P4) to Top Panel (P1) by tightening all cam nuts with the Phillips Head Screwdriver.

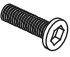
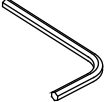
Step 4

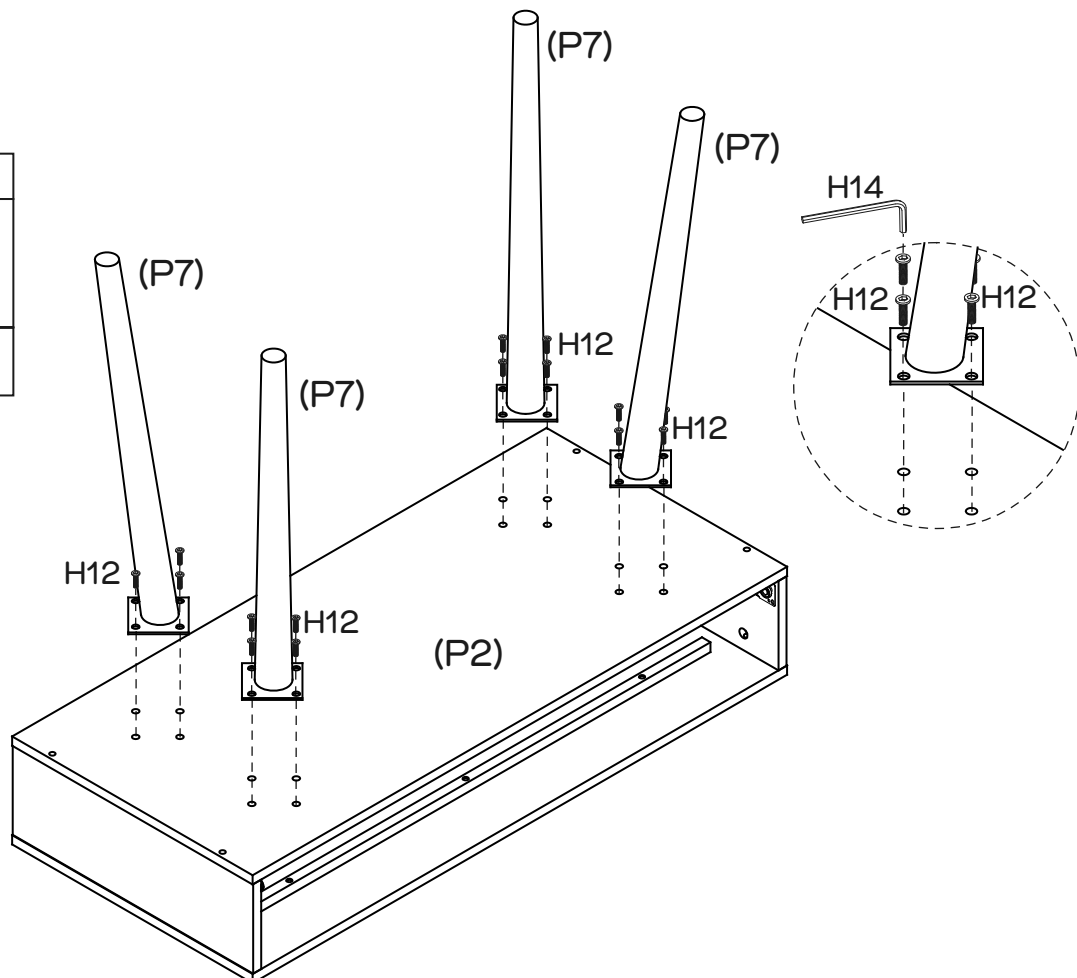
You will need	
	
4 x Dowels (H1)	4 x Long Screws (H2)
	
Phillips Head Screwdriver	



Insert 4 x Dowels (H1) into Left & Right Side Panels (P3 & P4). Attach Bottom Panel (P2) to Left & Right Side Panels (P3 & P4) with 4 x Long Screws (H2) by tightening with the Phillips Head Screwdriver.

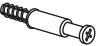

Step 5

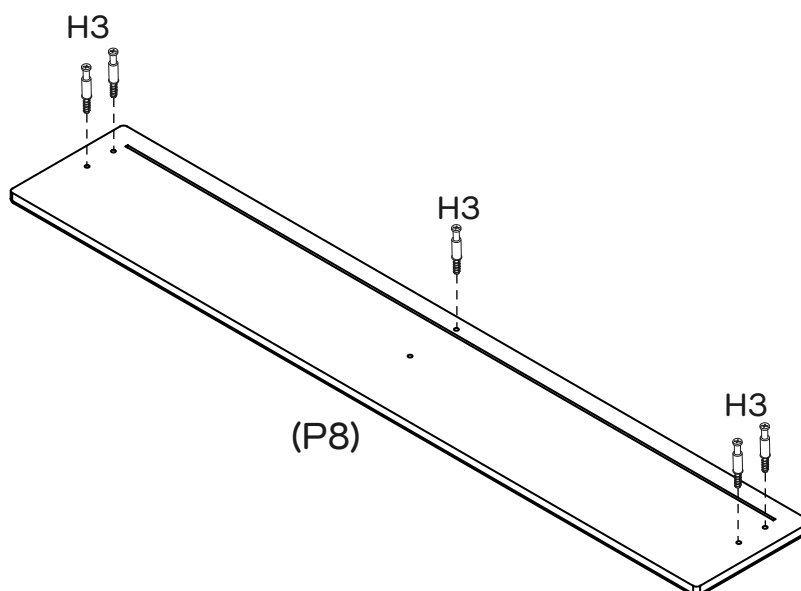
You will need	
	
16 x Short Bolts (H12)	1 x Allen Key (H14)



Attach 4 x legs (P7) to Bottom Panel (P2) with 16 x Short Bolts (H12). Loosely attach all bolts on each leg before fully tightening with the Allen Key (H14).

Step 6

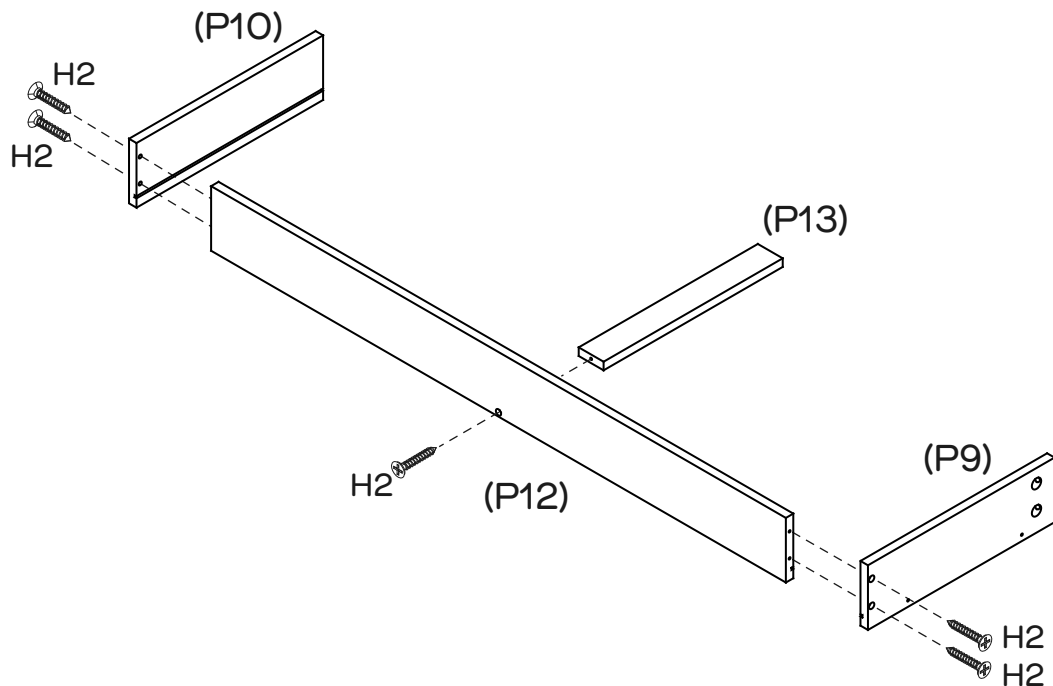
You will need	
	
5 x Cam Bolts (H3)	Phillips Head Screwdriver



Attach 5 x Cam Bolts (H3) to Drawer Front Panel (P8) by tightening with the Phillips Head Screwdriver.

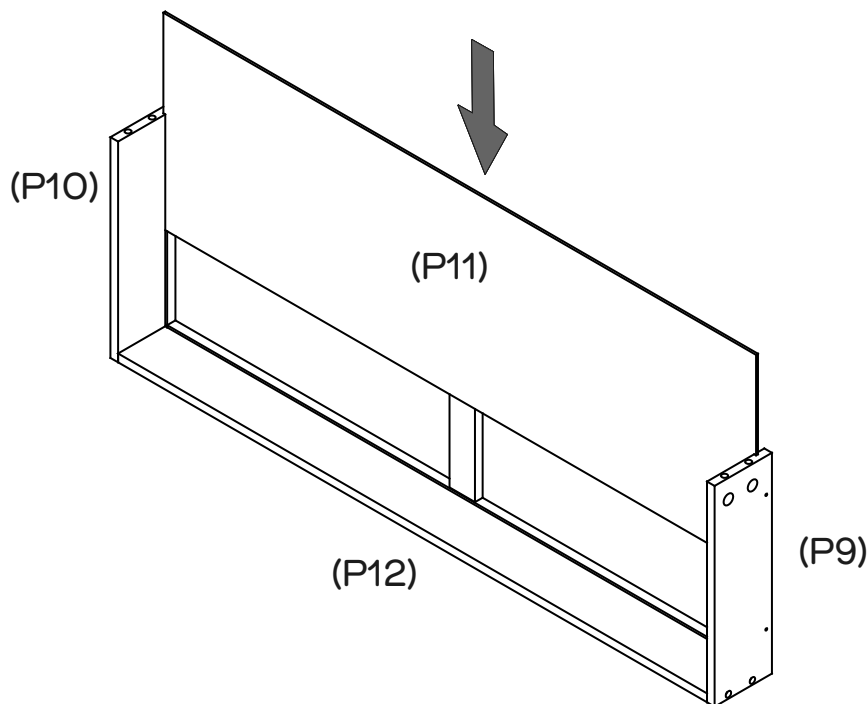
Step 7

You will need	
	
5 x Long Screws (H2)	Phillips Head Screwdriver




Attach Drawer Back (P12) and Support Rail (P13) to Left & Right Drawer Side (P9 & P10) with 5 x Long Screws (H2) by tightening with the Phillips Head Screwdriver.

Step 8

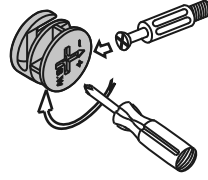


Slide the Drawer Base (P11) into the grooves of Left & Right Drawer Sides (P9 & P10) and Drawer Back (P12) as shown.

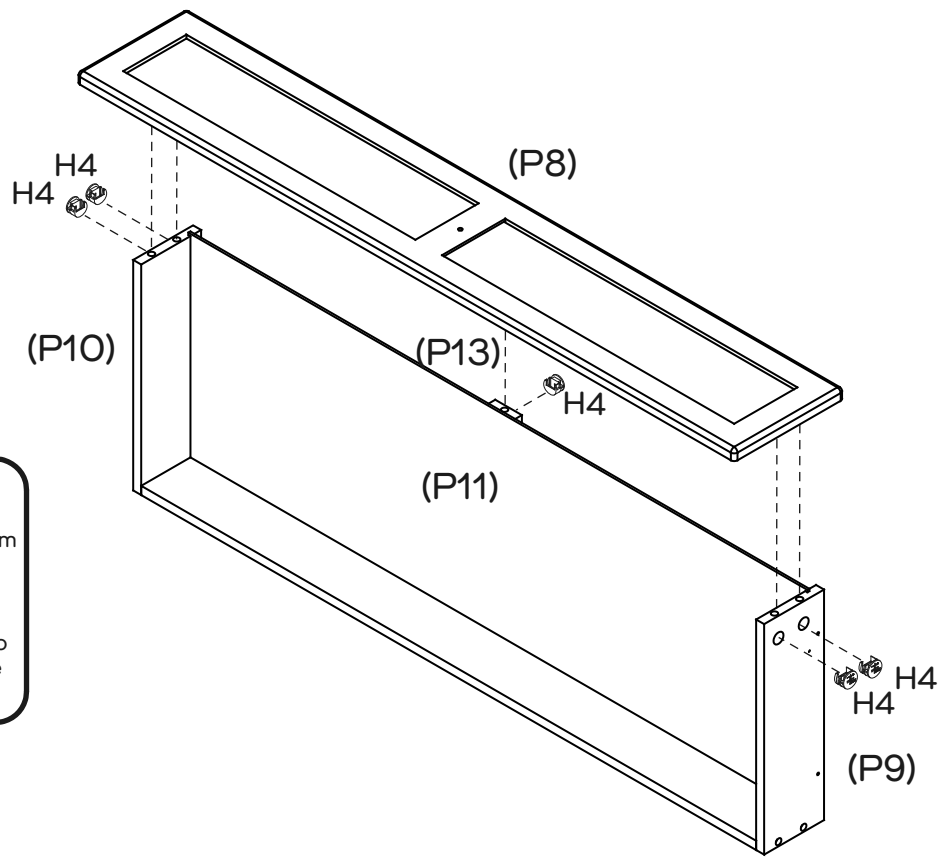
Step 9

You will need	
	
5 x Cam Nuts (H4)	Phillips Head Screwdriver

This is how a cam nut works.....

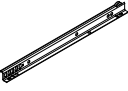
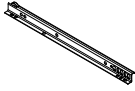




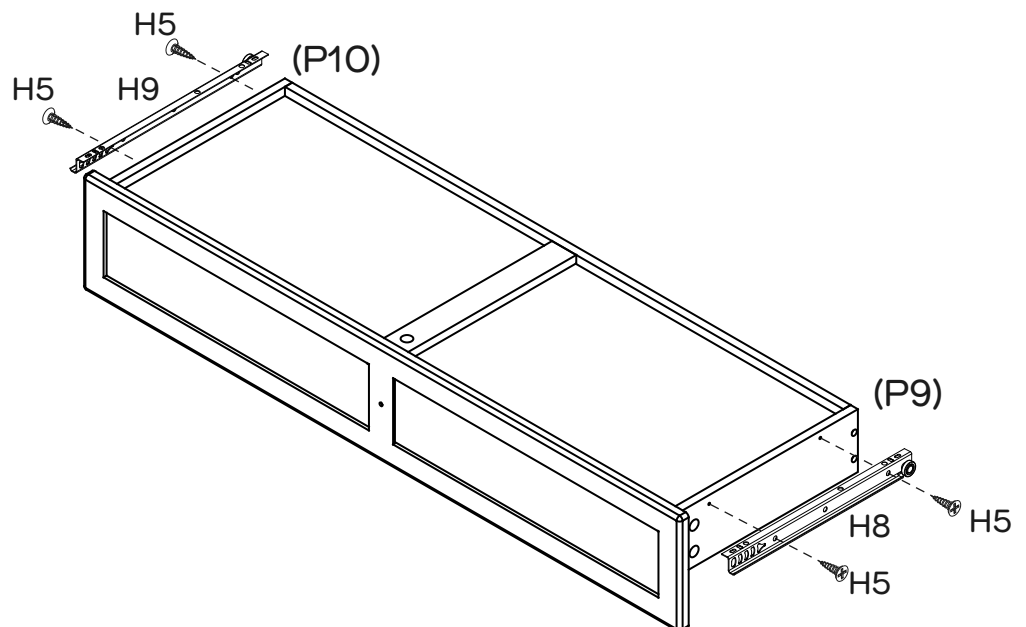
The head of the cam bolt goes into the open mouth of the cam nut. You then turn the cam nut so it tightens over the bolt.



Insert 5 x Cam Nuts (H4) into Left & Right Drawer Side (P9 & P10) and Support Rail (P13) as shown. Rotate the cam nuts so the arrows point towards the incoming cam bolts. Attach Drawer Front (P8) to Left & Right Drawer Side (P9 & P10) and Support Rail (P13) by tightening all cam nuts with the Phillips Head Screwdriver. Ensure that the Drawer Base (P11) is slotted into the grooves of Drawer Front (P8).




Step 10

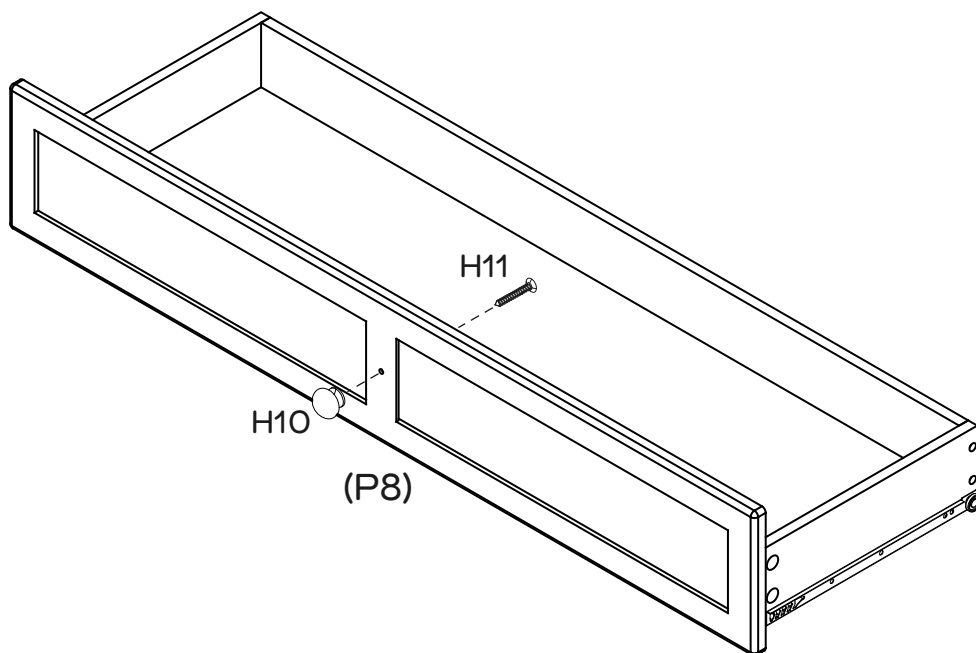
You will need	
	
1 x DL Runner (H8)	1 x DR Runner (H9)
	
4 x Small Screws (H5)	Phillips Head Screwdriver



Attach 1 x DL Runner (H8) to the bottom of Left Drawer Side (P9) and 1 x DR Runner (H9) to the bottom of Right Drawer Side (P10) with 4 x Small Screws (H5) by tightening with the Phillips Head Screwdriver.

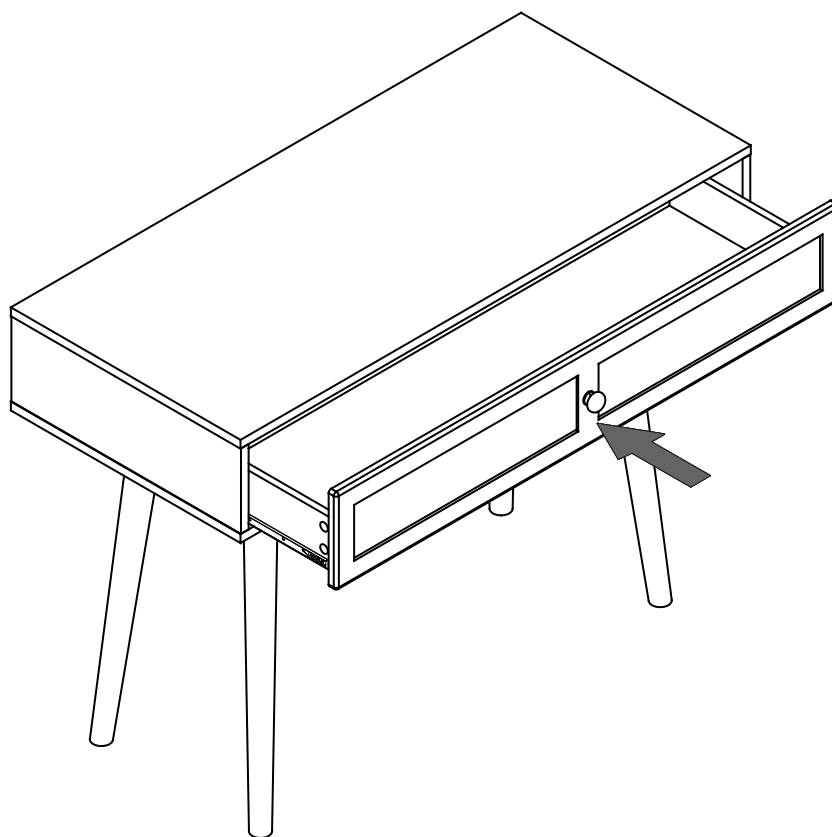
Step 11

You will need	
	
1 x Handle Screw (H11)	1 x Handle (H10)
	
Phillips Head Screwdriver	



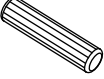


Attach 1 x Handle (H10) to Drawer Front (P8) with 1 x Handle Screw (H11) by tightening with the Phillips Head Screwdriver.

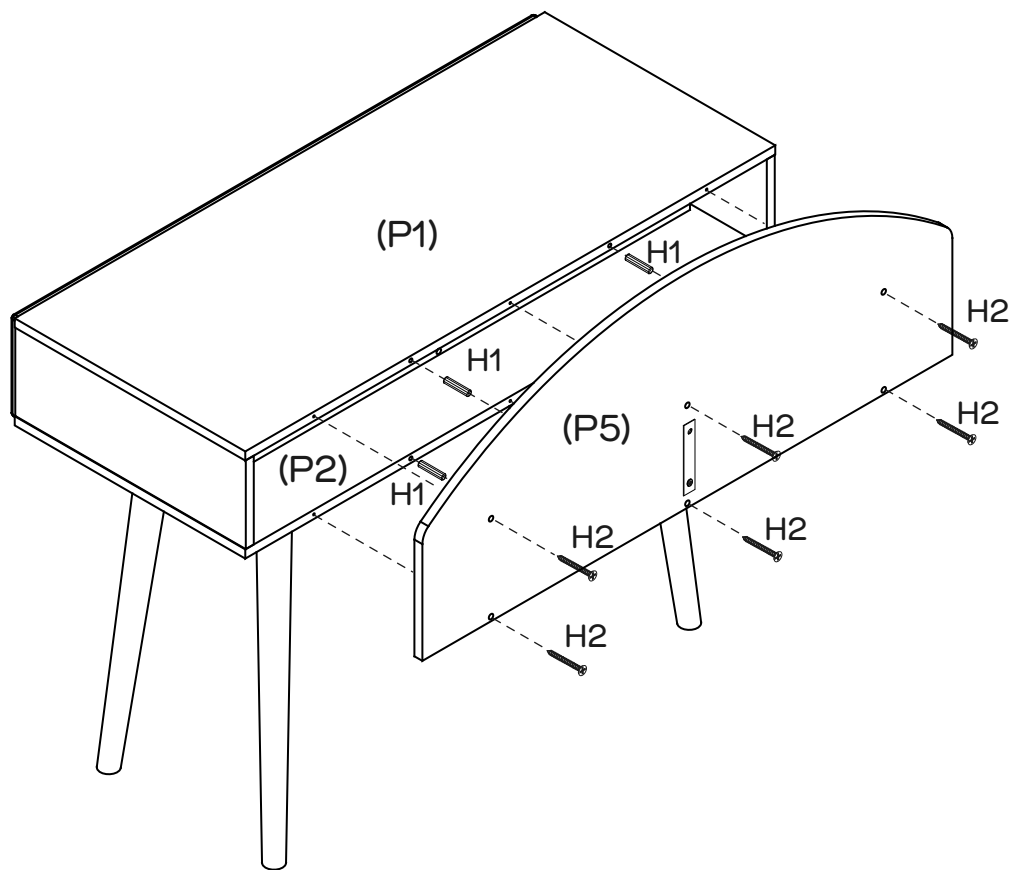
Step 12



Insert the assembled drawer into the corresponding compartment as shown. Ensure the drawer slide easily along the rails.



Step 13

You will need	
	
4 x Dowels (H1)	6 x Long Screws (H2)
	
Phillips Head Screwdriver	

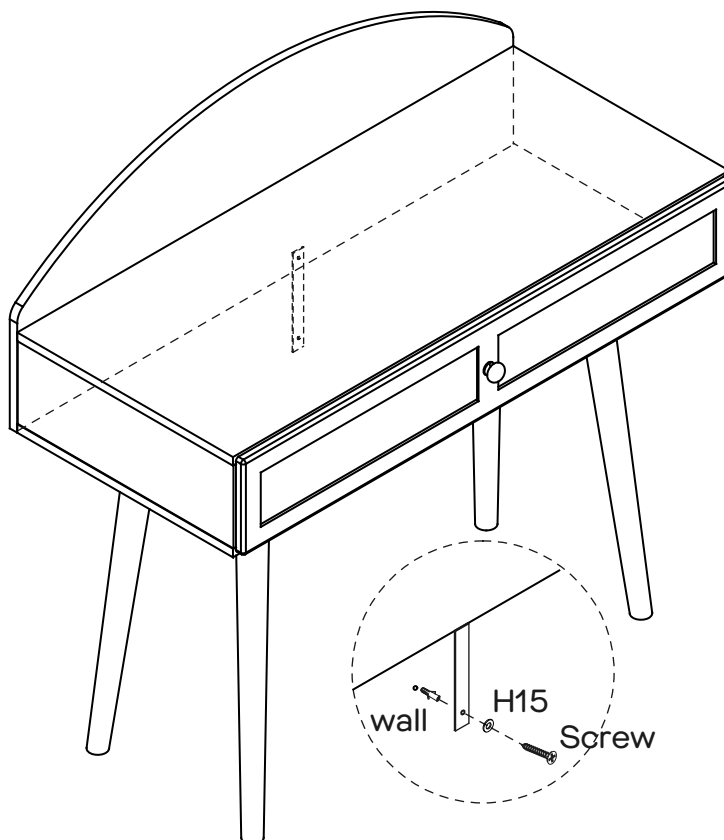


Insert 4 x Dowels (H1) into Top & Bottom Panels (P1 & P2).
Attach Back Panel (P5) to Top & Bottom Panels (P1 & P2) with 6 x Long Screws (H2) by tightening with the Phillips Head Screwdriver.

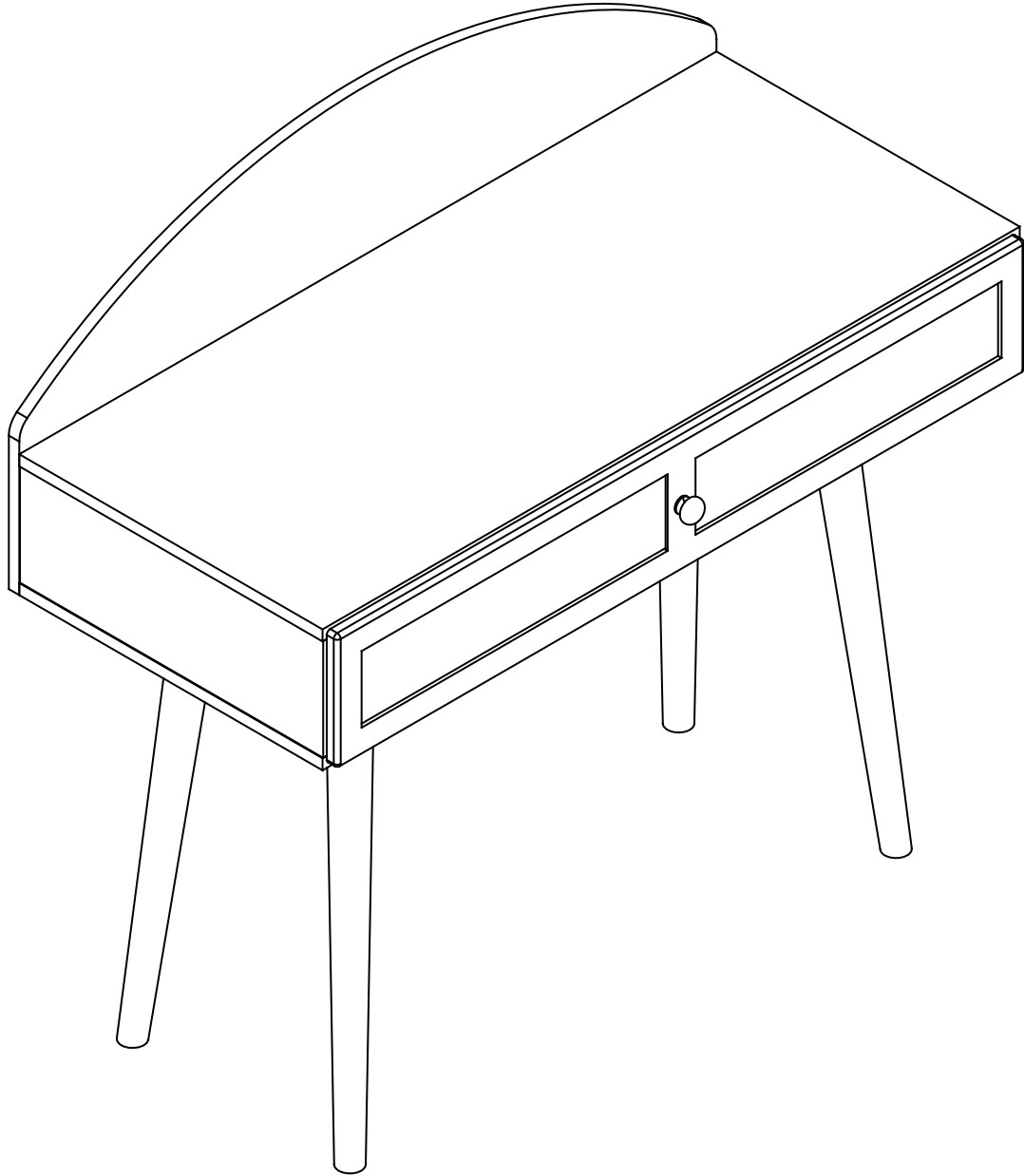
Step 14

You will need	
	
1 x Washer (H15)	Phillips Head Screwdriver
Screw and Wall Plug are not provided. Please use appropriate fixtures for your wall.	

Seek advice from a qualified trades person on how to attach this safety strap to your specific wall.



Move the desk to the final position, and attach the safety strap to the wall securely. Make sure it is firmly attached and snug fit.



Job Complete!

In the interest of our environment please dispose of all packaging thoughtfully.