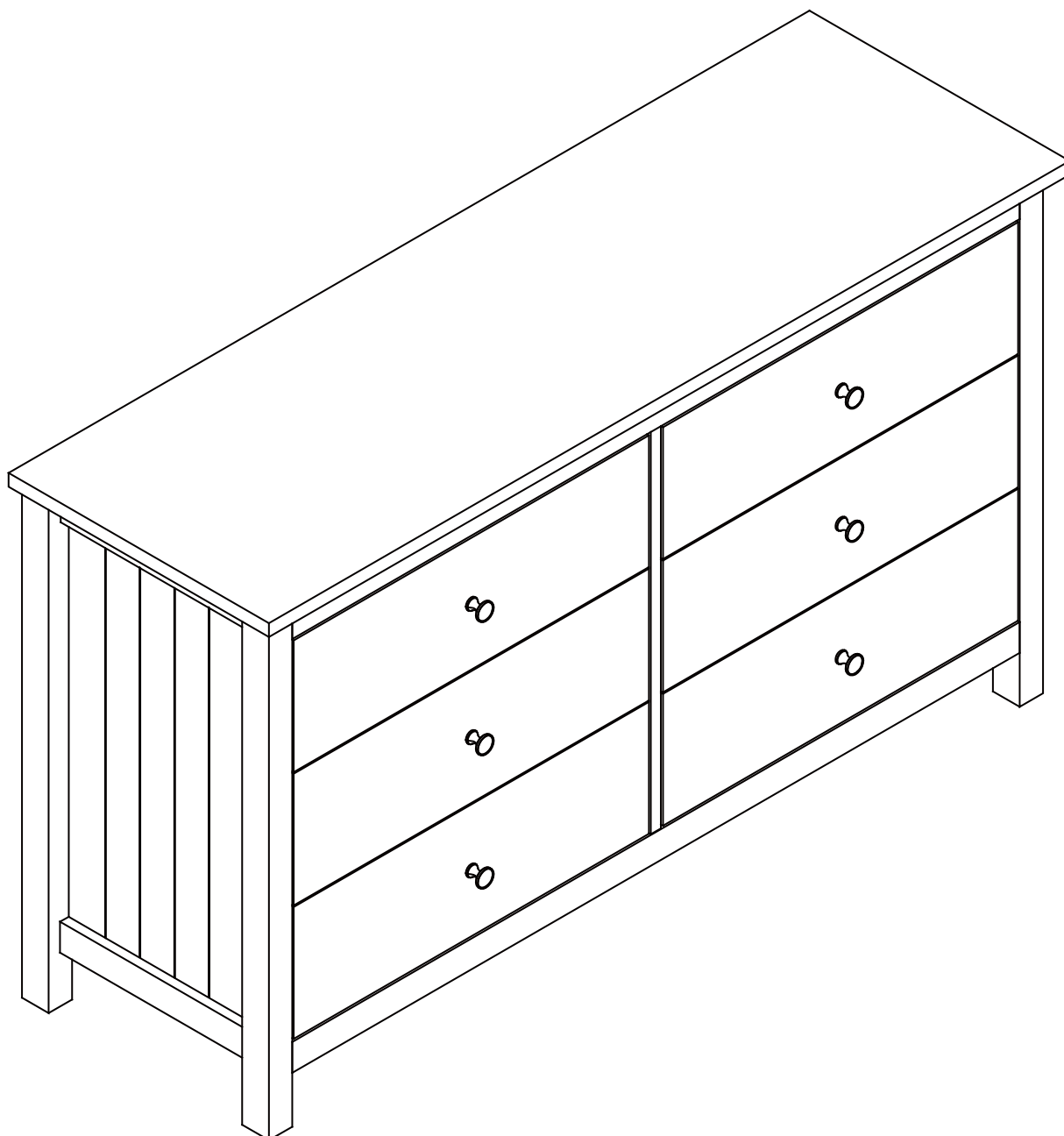




**Fantastic
Furniture**

Version 1.0



Hamilton

Dresser 6 Drawer

fantasticfurniture.com.au

Recommended weight capacity : 50kgs on top.



**WARNING: ENSURE THE WALL STRAP IS ATTACHED TO
AVOID SERIOUS INJURY.**

To avoid any serious or fatal injury, this product has been supplied with a wall strap to prevent toppling. We strongly recommend that this product is permanently fixed to the wall or other suitable surface. Connecting attachments for your wall are not included since different surface materials require different attachments. Please seek professional advice if you are in doubt of what wall connections to use.

Looks like you've found your Fantastic!

We're thrilled you've chosen Fantastic Furniture
to help create a home you'll love!



Fantastic Furniture

Love it? Share it!

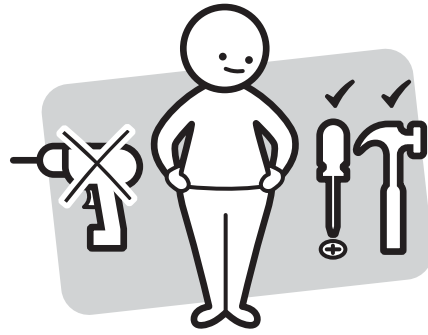
Fantastic buy! Share how it looks at home on Instagram for
your chance to win a \$250 Fantastic Furniture Gift Card!

@fantasticfurniture

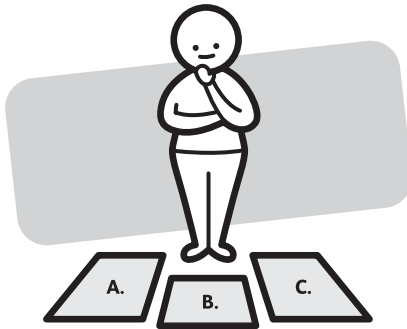
Assembly Checklist



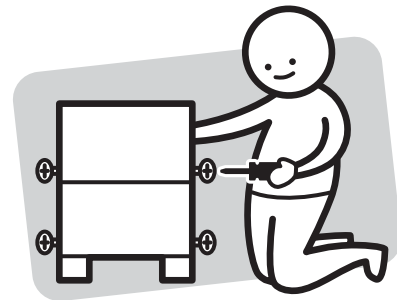
Read through the instructions carefully before you begin.



Make sure you have all the required tools. Never use power tools unless instructed.



Identify and lay out all of the components before you begin assembly.



Unless instructed, do not fully tighten screws until the item is fully assembled.

Useful Information

- ! Never use power tools unless specifically instructed. They can damage your components or hardware if used incorrectly.
- ! The most common mistakes made during assembly are using the wrong hardware or getting components back to front.
- ! Always use a soft surface (such as carpet or cardboard) when assembling your product to avoid scratching or damaging the surface of the product.
- ! Bulky items such as wardrobes and bunk beds should be assembled in the room they will be used in as they may not fit through a door once assembled.
- ! Never use any glue until you are certain that the parts belong together.
- ! Periodically check and re-tighten all fasteners. Check the product care label or website for product care instructions.
- ! If you are having any difficulties assembling your product, missing any hardware or components please visit our website Help Centre for further assistance.
- ! Please see page 2 for any safety requirements or weight restrictions.

What you need

to assemble the product

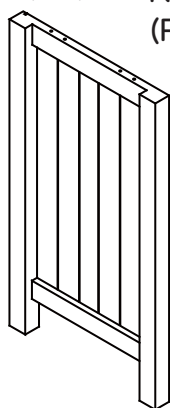


DO NOT USE



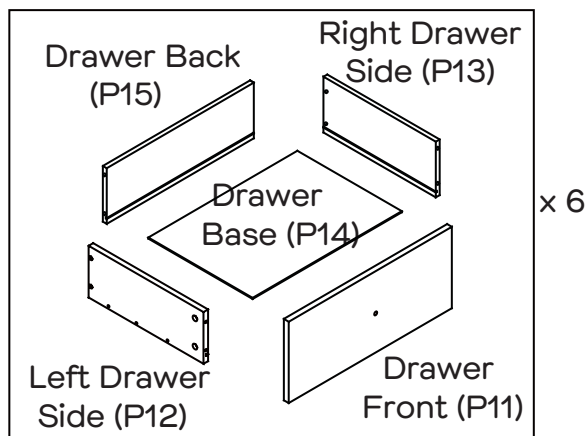
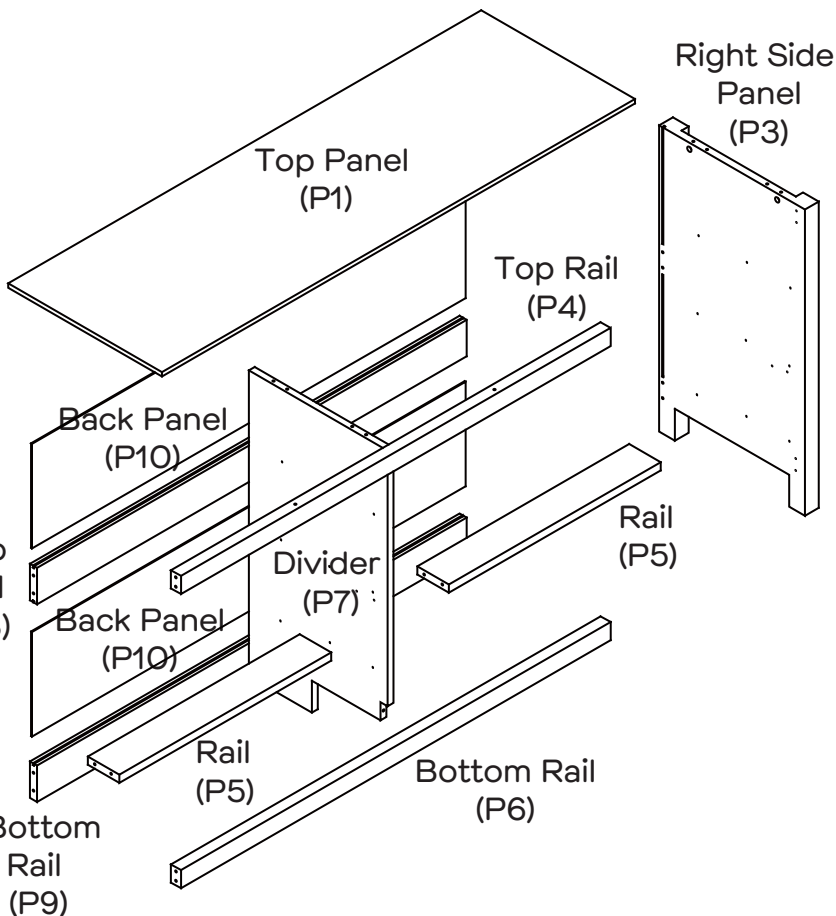
Other tools you need:
Phillips head screwdriver;

Left Side Panel (P2)

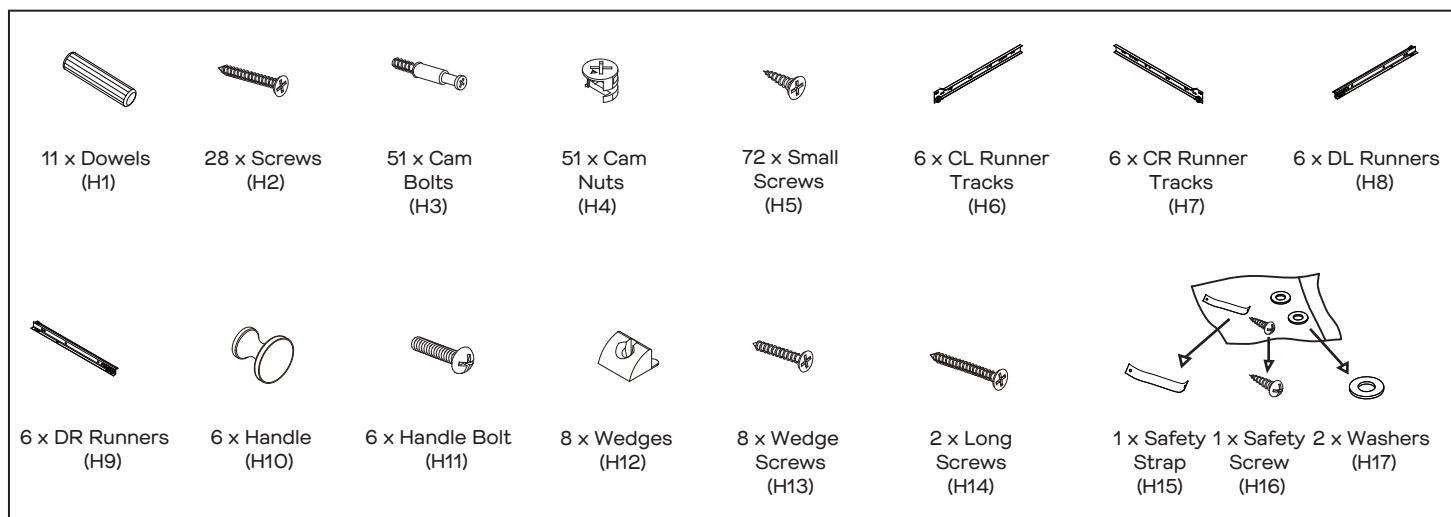


Parts list


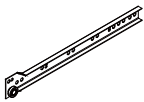
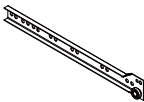

- Top Panel (P1);
- Left Side Panel (P2);
- Right Side Panel (P3);
- Top Rail (P4);
- 2 x Rails (P5);
- Bottom Rail (P6);
- Divider (P7);
- Top Rail (P8);
- Bottom Rail (P9);
- 2 x Back Panels (P10)
- 6 x Drawer Fronts (P11) :
- 6 x Left Drawer Sides (P12);
- 6 x Right Drawer Sides (P13);
- 6 x Drawer Bases (P14);
- 6 x Drawer Backs (P15);

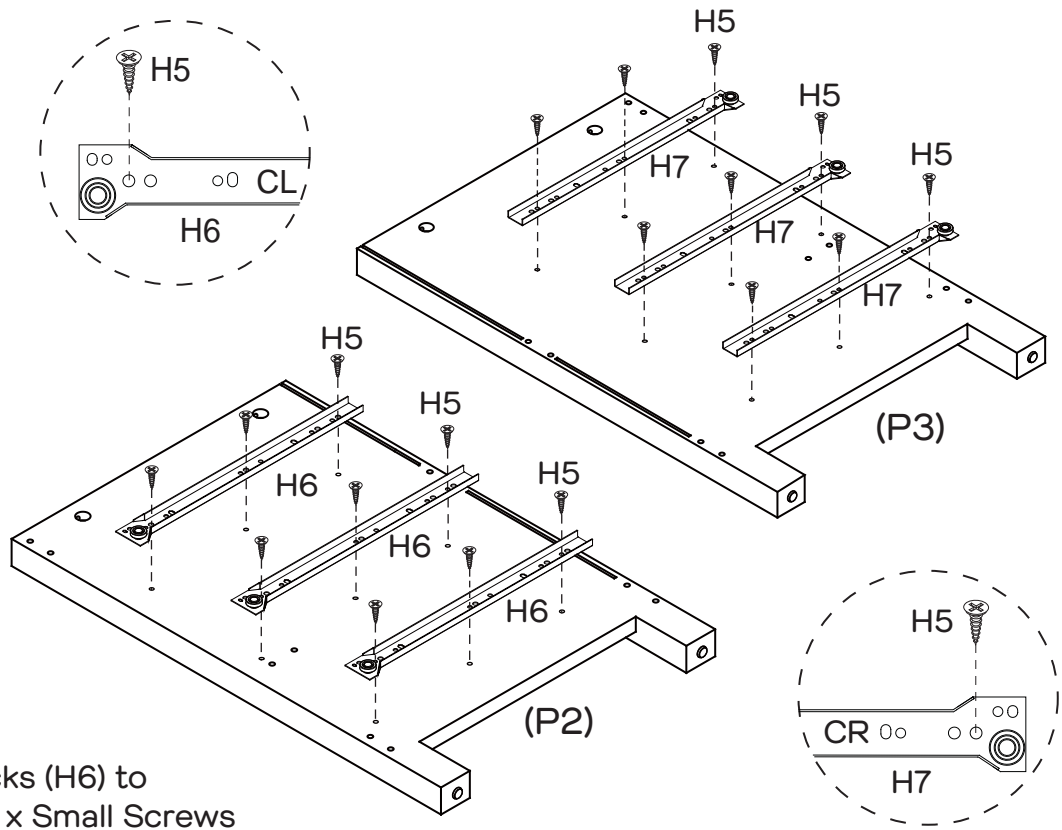


Hardware pack



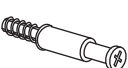

Step 1

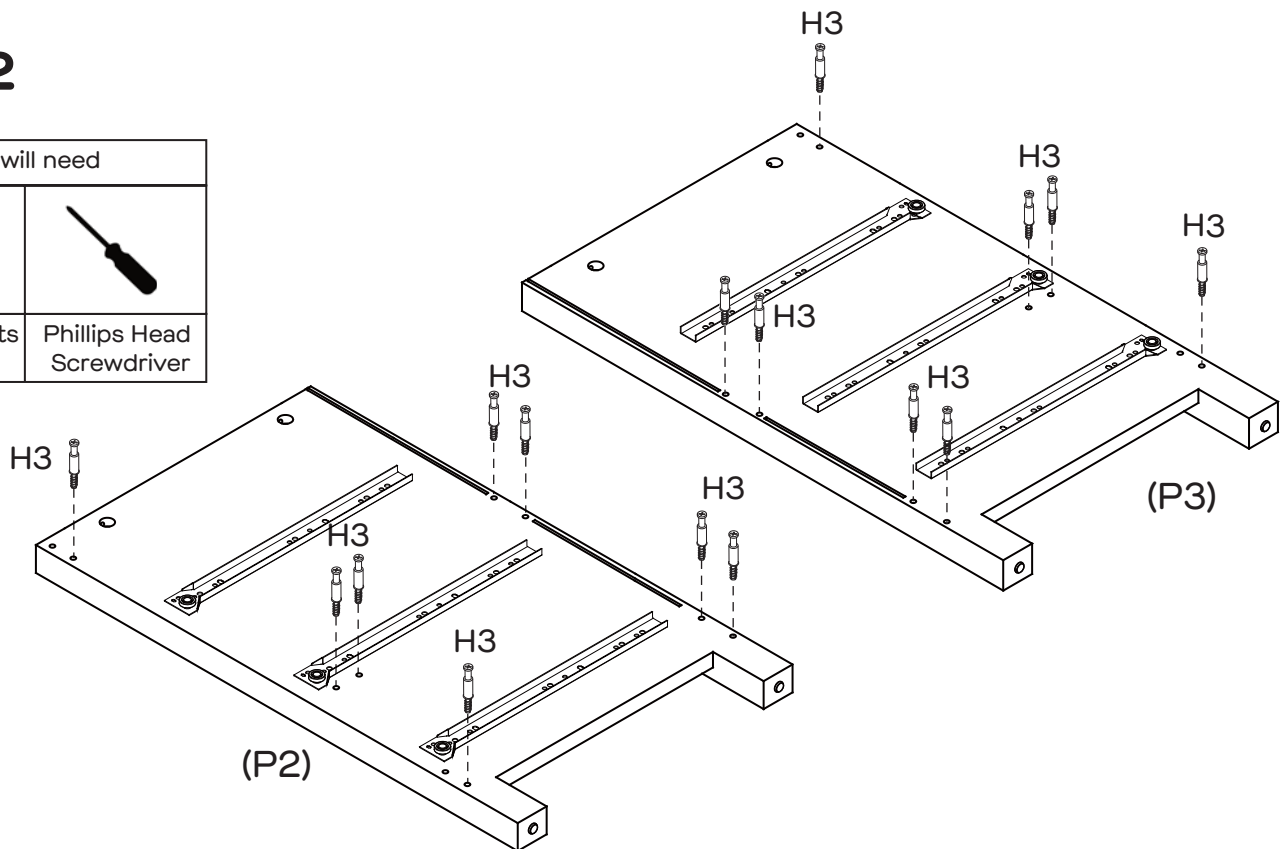
You will need	
	
18 x Small Screws (H5)	3 x CL Runner Tracks (H6)
	
3 x CR Runner Tracks (H7)	Phillips Head Screwdriver



Attach 3 x CL Runner Tracks (H6) to Left Side Panel (P2) with 9 x Small Screws (H5) by tightening with the Phillips Head screwdriver. Attach 3 x CL Runner Tracks (H7) to Right Side Panel (P2) with 9 x Small Screws (H5) by tightening with the Phillips Head screwdriver.


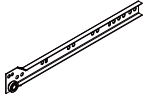
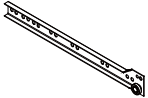
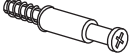

Step 2

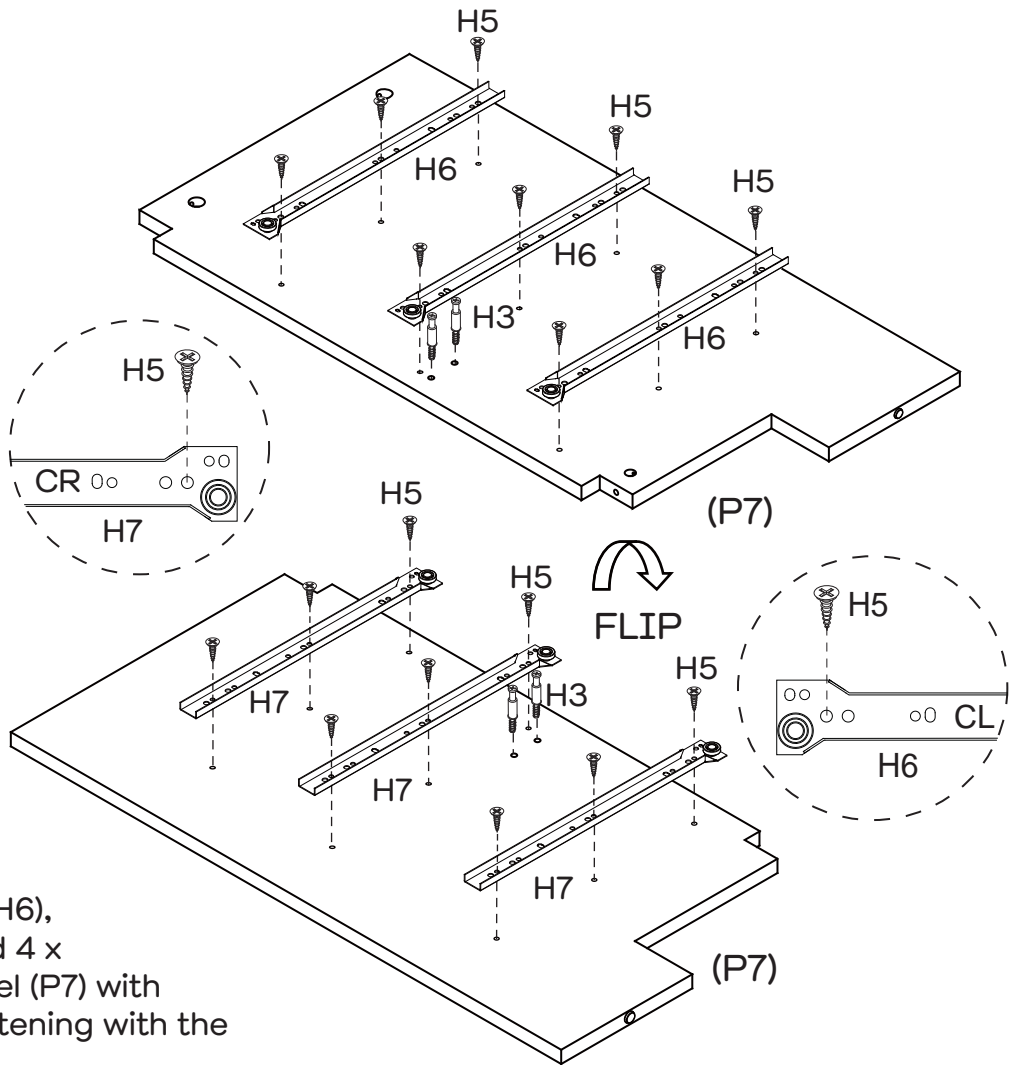
You will need	
	
16 x Cam Bolts (H3)	Phillips Head Screwdriver



Attach 8 x Cam Bolts (H3) to Left Side Panel (P2) by tightening with the Phillips head screwdriver. Attach 8 x Cam Bolts (H3) to Right Side Panel (P3) by tightening with the Phillips head screwdriver.

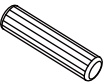
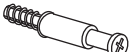


Step 3

You will need	
	
18 x Small Screws (H5)	3 x CL Runner Tracks (H6)
	
3 x CR Runner Tracks (H7)	4 x Cam Bolts (H3)
	
Phillips Head Screwdriver	

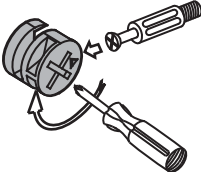


Attach 3 x CL RunnerTracks (H6), 3 x CR Runner Tracks (H7) and 4 x Cam Bolts (H3) to Divider Panel (P7) with 18 x Small Screws (H5) by tightening with the Phillips Head Screwdriver.

Step 4

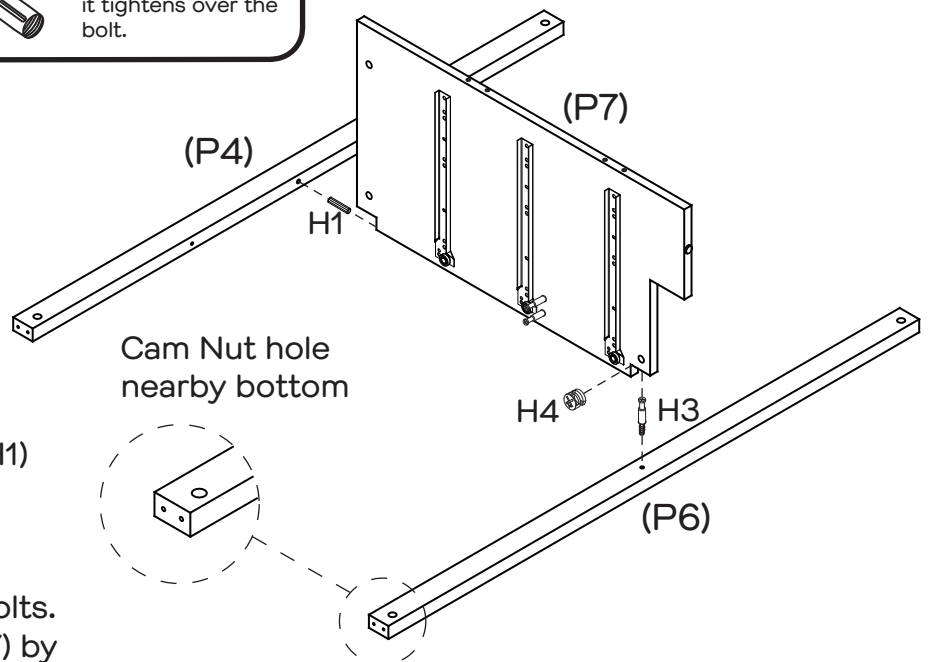
You will need	
	
1 x Dowels (H1)	1 x Cam Bolts (H3)
	
1 x Cam Nuts (H4)	Phillips Head Screwdriver

This is how a cam nut works.....

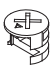



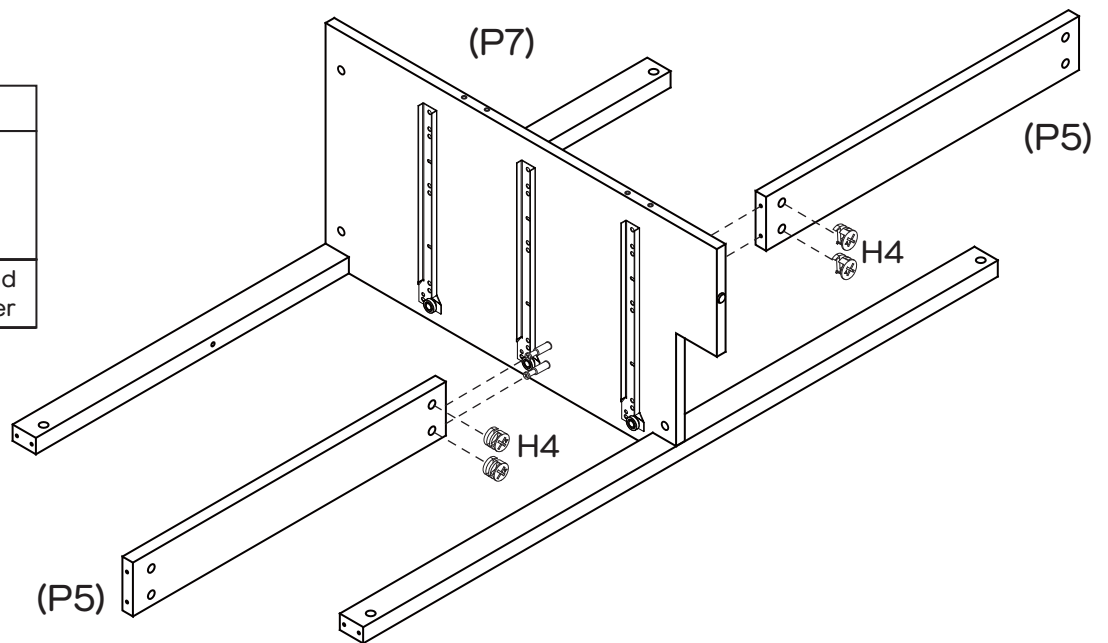
The head of the cam bolt goes into the open mouth of the cam nut. You then turn the cam nut so it tightens over the bolt.

Attach 1 x Cam Bolt (H3) into Bottom Rail (P6). Insert 1 x Dowel (H1) into Top Rail (P4) and 1 x Cam Nut (H4) into Divider (P7) as shown. Rotate the cam nuts so the arrow points towards the incoming cam bolts. Attach Rails (P4 & P6) to Divider (P7) by tightening with the Phillips Head Screwdriver.




Step 5

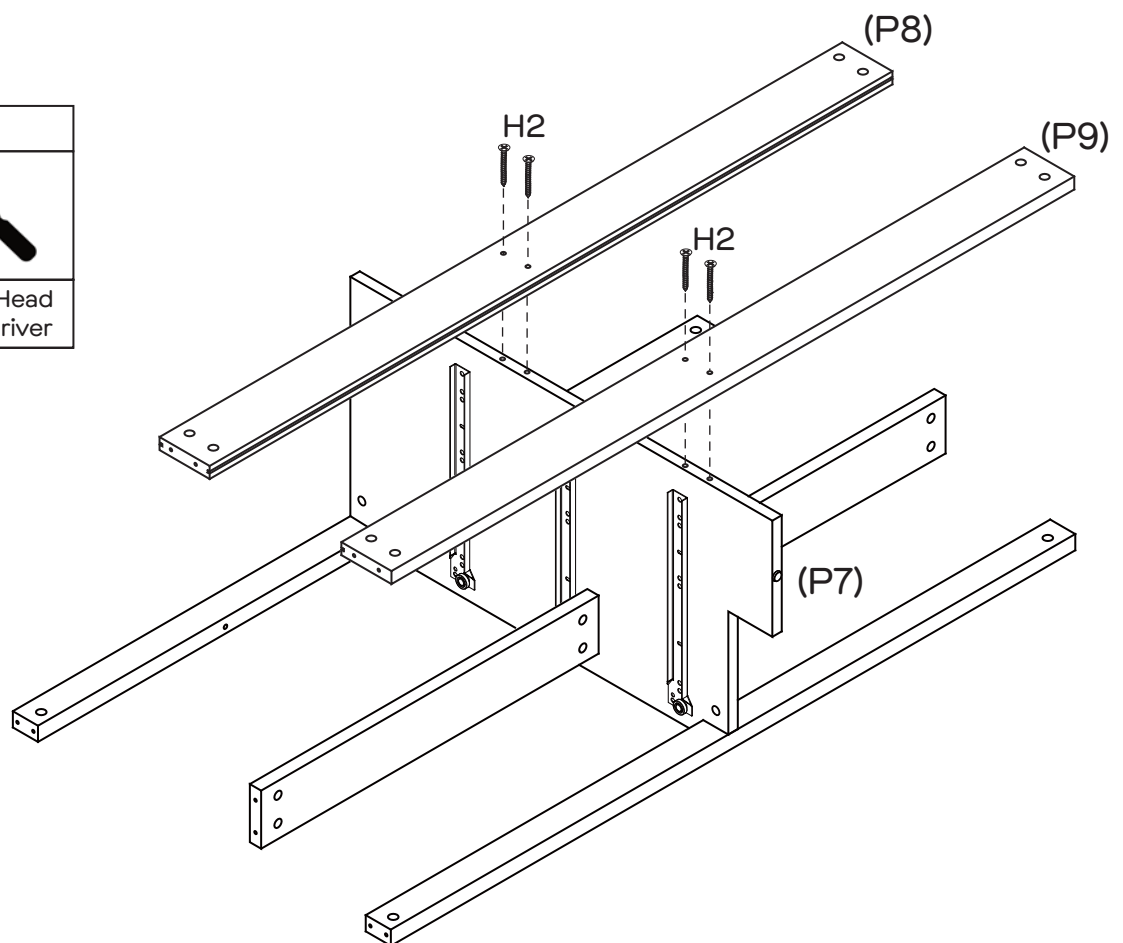
You will need	
	
4 x Cam Nuts (H4)	Phillips Head Screwdriver



Insert 4 x Cam Nuts (H4) into the holes of Rails (P5). Rotate the cam nuts so the arrow points towards the incoming cam bolts. Attach Rails (P5) to Divider (P7) by tightening with the Phillips Head Screwdriver.

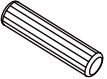


Step 6

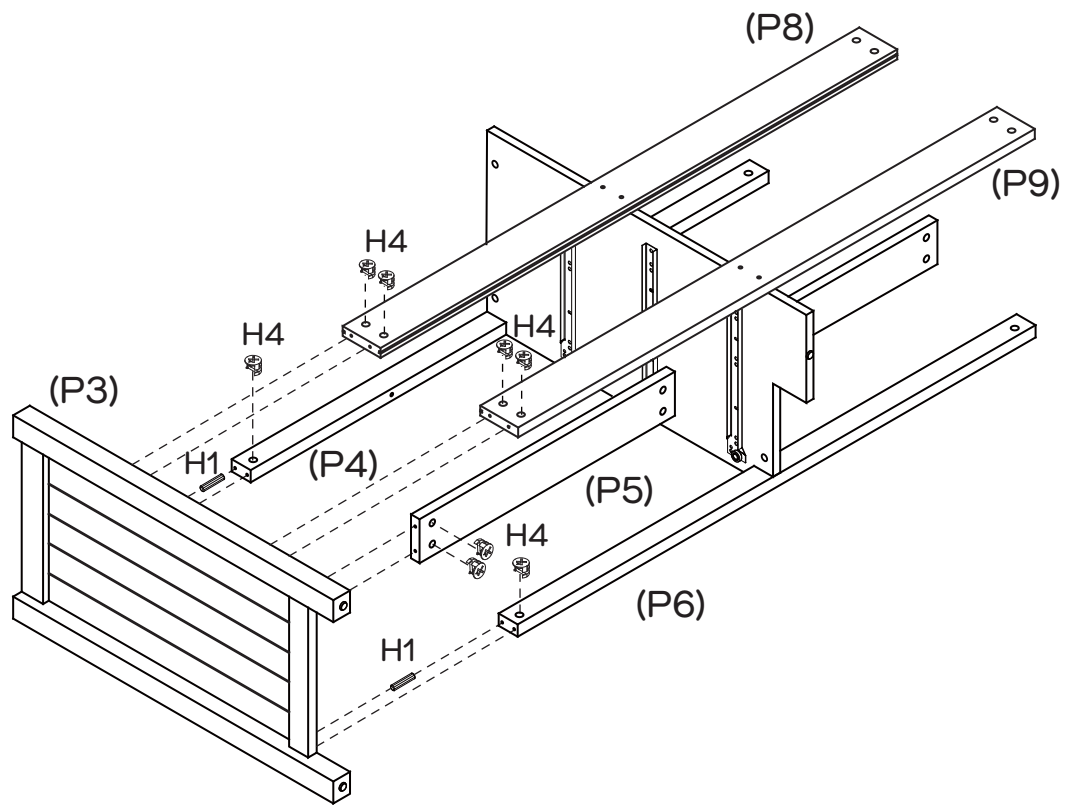
You will need	
	
4 x Screws (H2)	Phillips Head Screwdriver



Attach Rails (P8 & P9) to Divider (P7) with 4 x Long Screws (H2) by tightening with the Phillips Head Screwdriver.

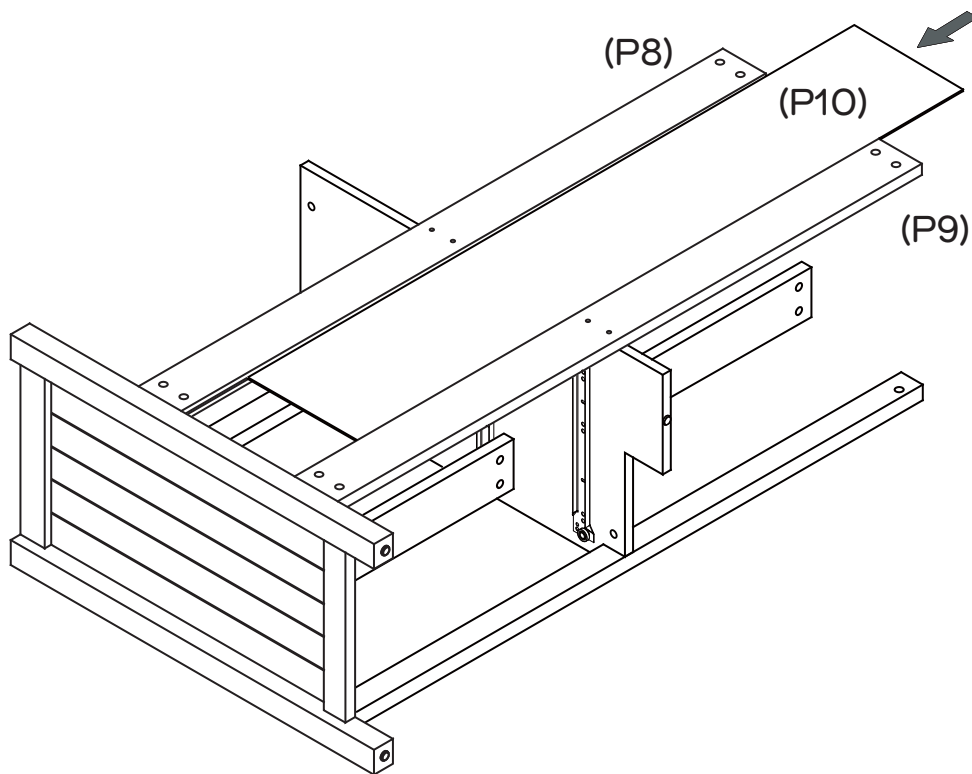
Step 7

You will need	
	
2 x Dowels (H1)	8 x Cam Nuts (H4)
	
Phillips Head Screwdriver	



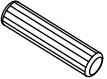


Insert 2 x Dowels (H1) into Right Side Panel (P3). Insert 8 x Cam Nuts (H4) into the holes of Rails (P4 & P5 & P6 & P8 & P9). Rotate the cam nuts so the arrow points towards the incoming cam bolts. Attach Rails (P4 & P5 & P6 & P8 & P9) to Right Side Panel (P3) by tightening with the Phillips Head Screwdriver.

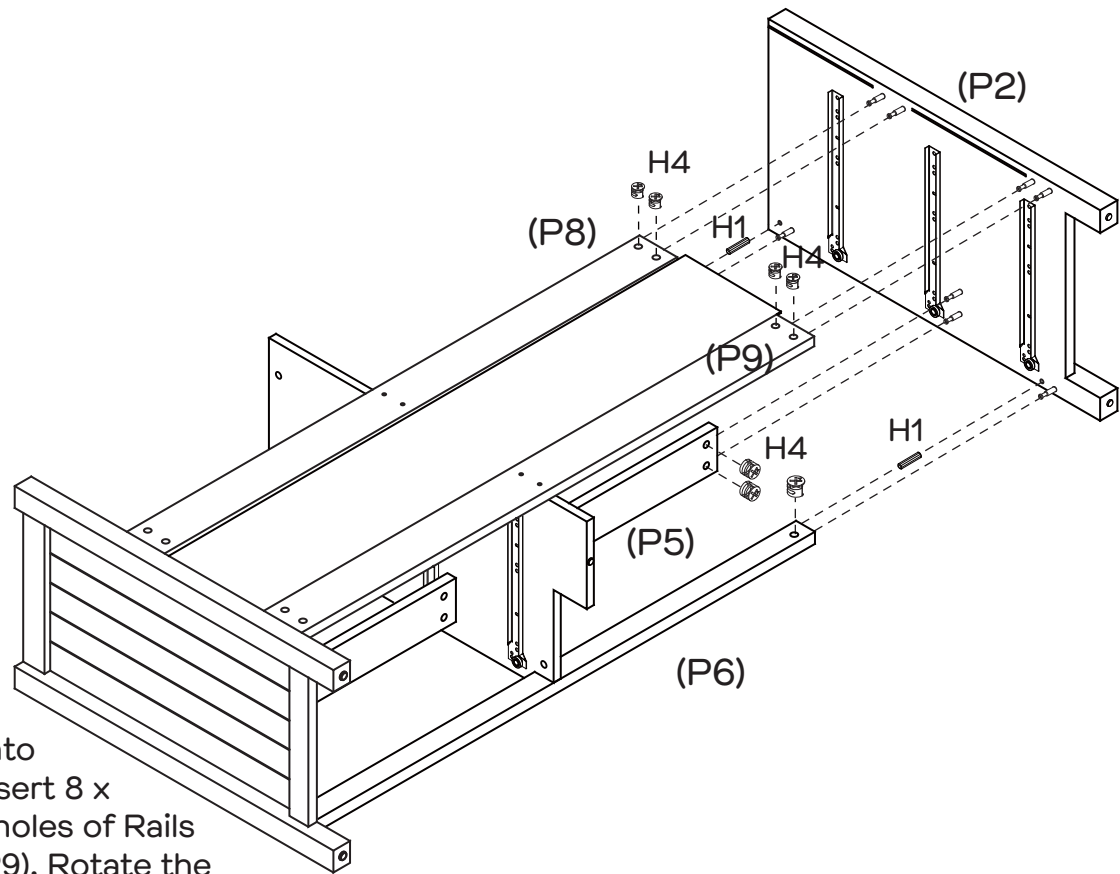
Step 8



Slide Back Panel (P10) into the grooves of Rails (P8 & P9).

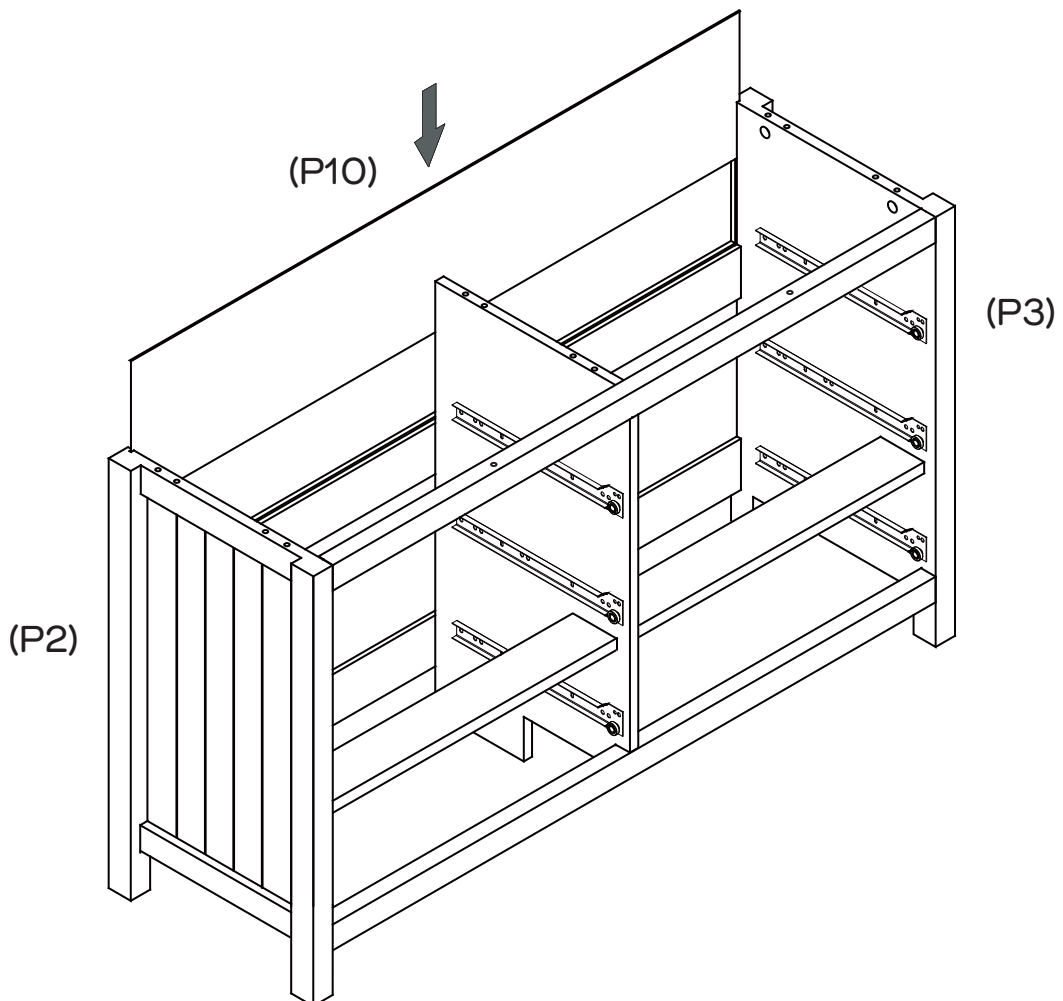
Step 9

You will need	
	
2 x Dowels (H1)	8 x Cam Nuts (H4)
	
Phillips Head Screwdriver	



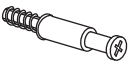

Insert 2 x Dowels (H1) into Left Side Panel (P2). Insert 8 x Cam Nuts (H4) into the holes of Rails (P4 & P5 & P6 & P8 & P9). Rotate the cam nuts so the arrow points towards the incoming cam bolts. Attach Rails (P4 & P5 & P6 & P8 & P9) to Left Side Panel (P2) by tightening with the Phillips Head Screwdriver.

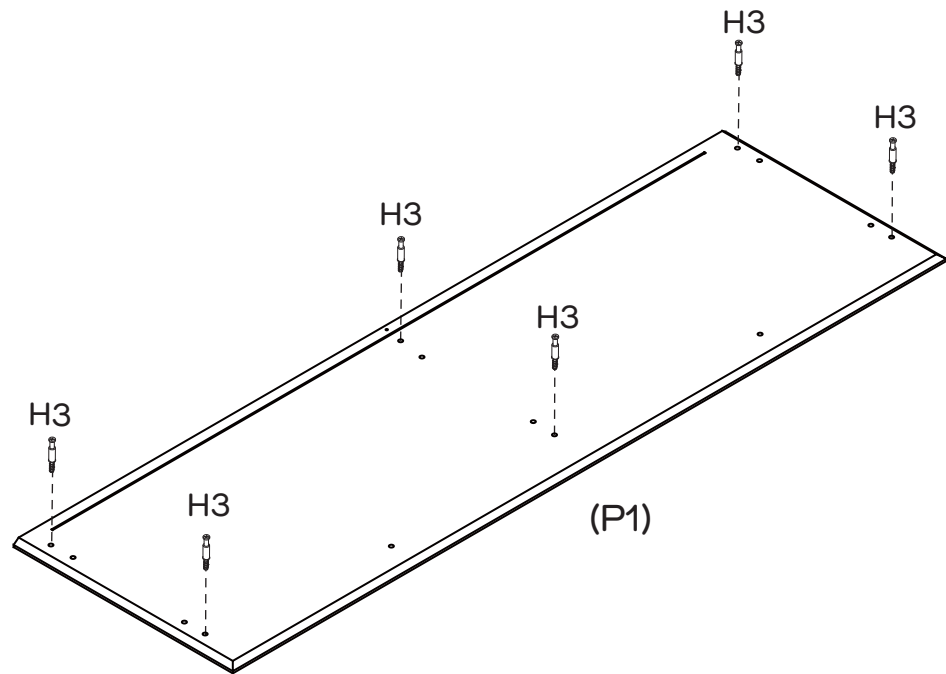
Step 10



Gently stand the unit upright. Slide Back Panel (P10) into the grooves of Left & Right Side Panel (P2&P3).

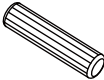


Step 11

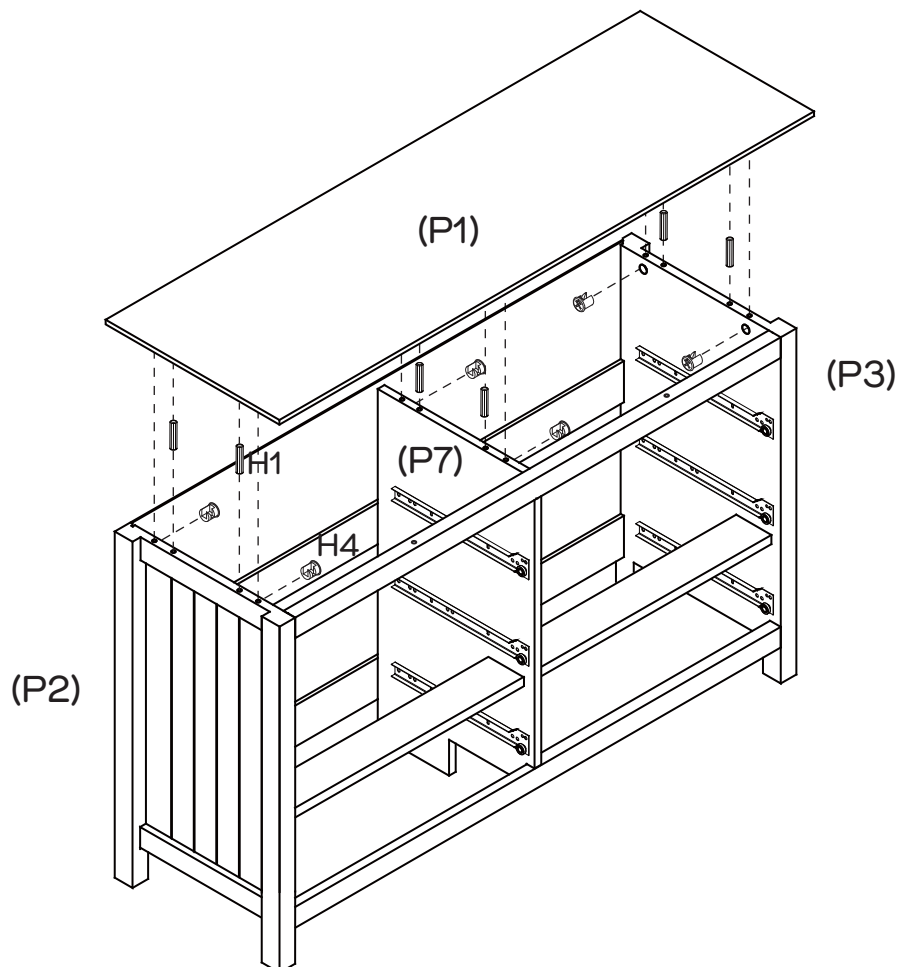
You will need	
	
6 x Cam Bolts (H3)	Phillips Head Screwdriver



Attach 6 x Cam Bolts (H3) to Top Panel (P1) by tightening with the Phillips Head Screwdriver.



Step 12

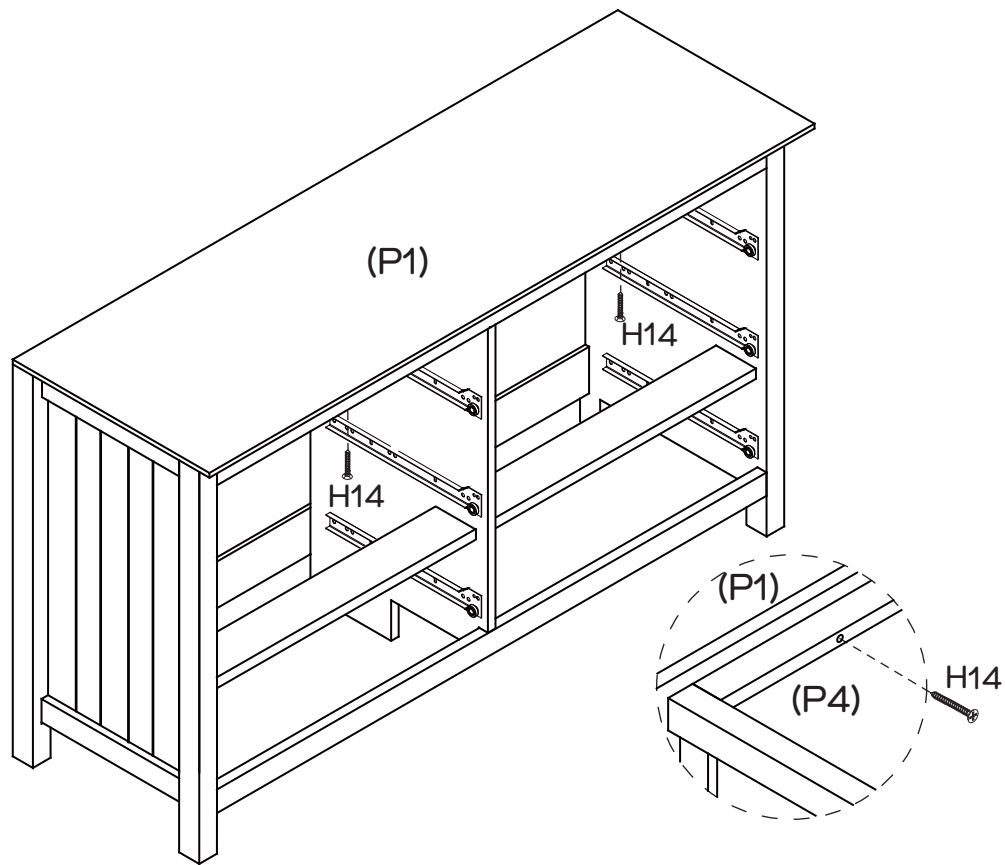
You will need	
	
6 x Dowels (H1)	6 x Cam Nuts (H4)
	
Phillips Head Screwdriver	



Insert 6 x Dowels (H1) and 6 x Cam Nuts (H4) into Divider & Right & Left Side Panels (P7&P3&P2) as shown. Rotate the cam nuts so the arrows point towards the incoming cam bolts. Attach Top Panel (P1) to unit by tightening cam nuts with the Phillips Head Screwdriver.

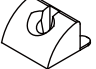
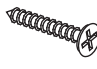

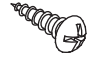


Step 13

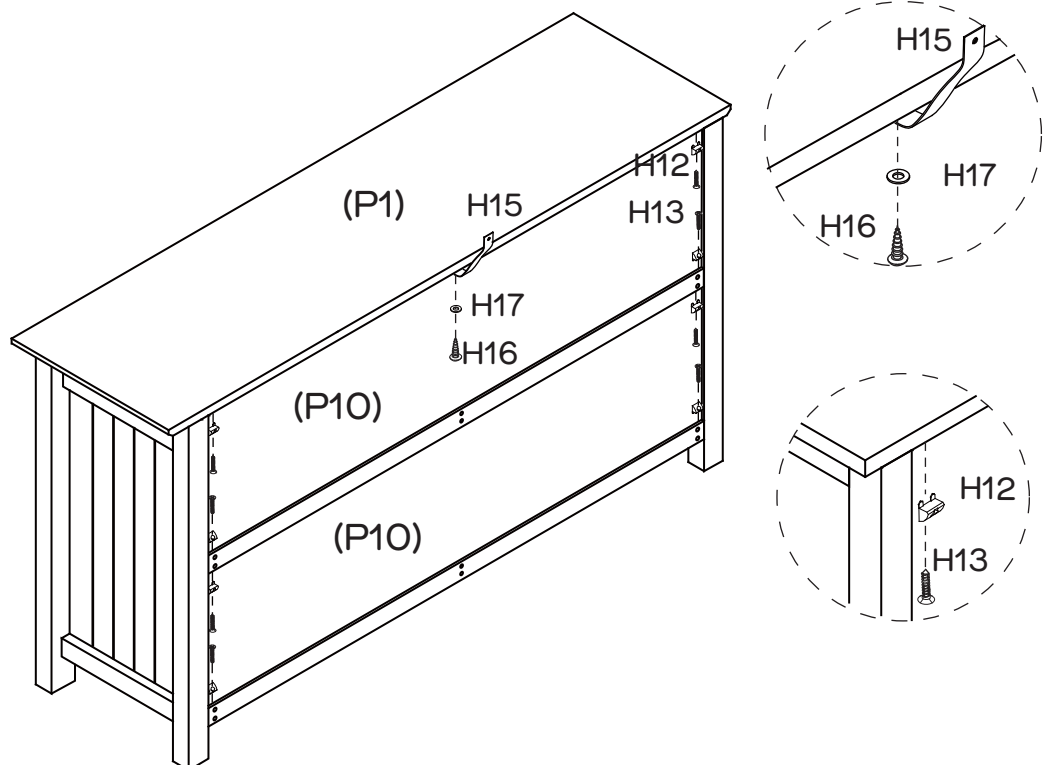
You will need	
	
2 x Long Screws (H14)	Phillips Head Screwdriver



Secure Top Panel (P1) to Rail (P4) with 3 x Long Screws (H14) by tightening with the Phillips Head Screwdriver.

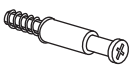

Step 14

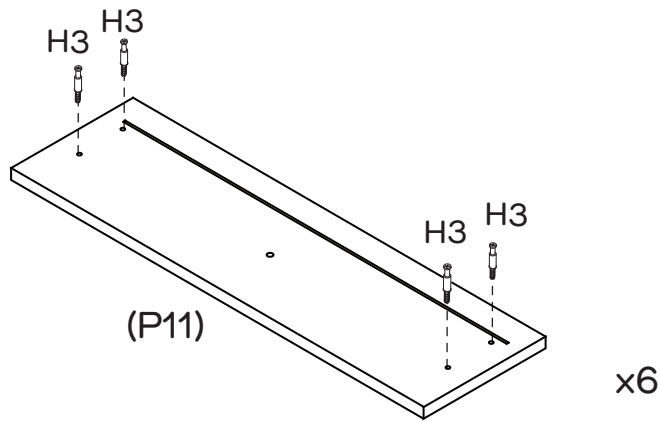
You will need	
	
8 x Wedges (H12)	8 x Wedge Screws (H13)
	
1 x Safety Strap (H15)	1 x Safety Strap Screw (H16)
	
1 x Washer (H17)	Phillips Head Screwdriver



Secure Back Panel (P10 x 2) in place with 8 x Wedges (H12) using 8 x Wedge Screws (H13) by tightening with the Phillips Head Screwdriver. Use 1 x Safety Screw (H15) and 1 x Washer (H17) to connect 1 x Safety Strap (H16) on Top Panel (P1) by tightening with the Phillips head screwdriver.



Step 15

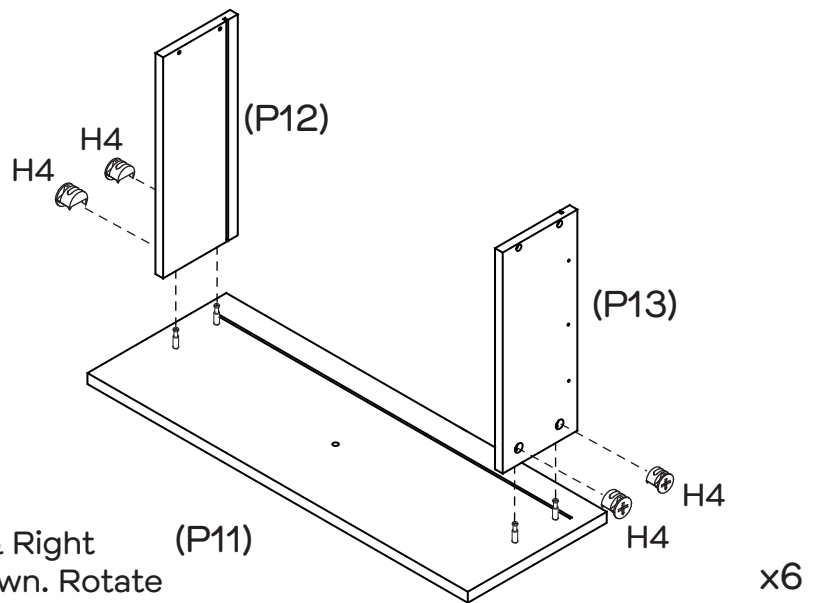
You will need	
	
24 x Cam Bolts (H3)	Phillips Head Screwdriver



Attach 24 x Cam Bolts (H3) to Drawer Fronts (P11x6) by tightening with the Phillips Head Screwdriver.

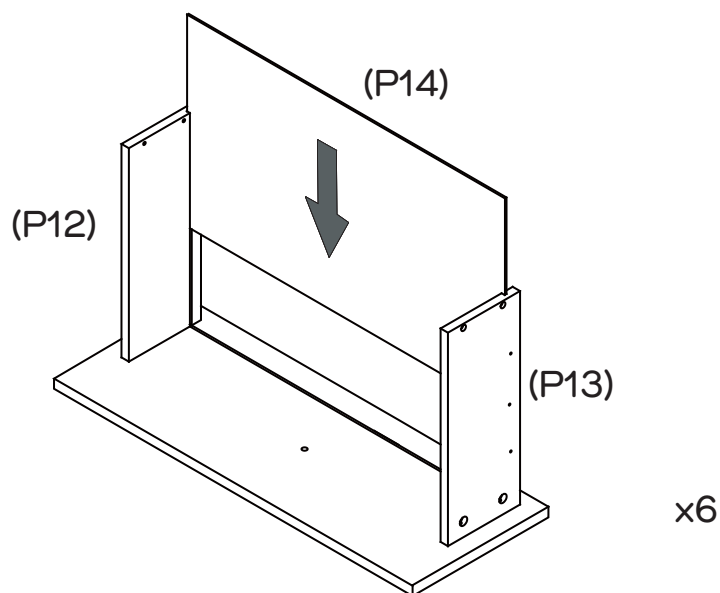
Step 16

You will need	
	
24 x Cam Nuts (H4)	Phillips Head Screwdriver





Insert 24 x Cam Nuts (H4) into Left & Right Drawer Sides (P12x6 & P13x6) as shown. Rotate the cam nuts so the arrows point towards the incoming cam bolts. Attach Left & Right Drawer Sides (P12x6&P13x6) to Drawer Fronts (P11x6) by tightening the cam nuts with the Phillips Head Screwdriver.

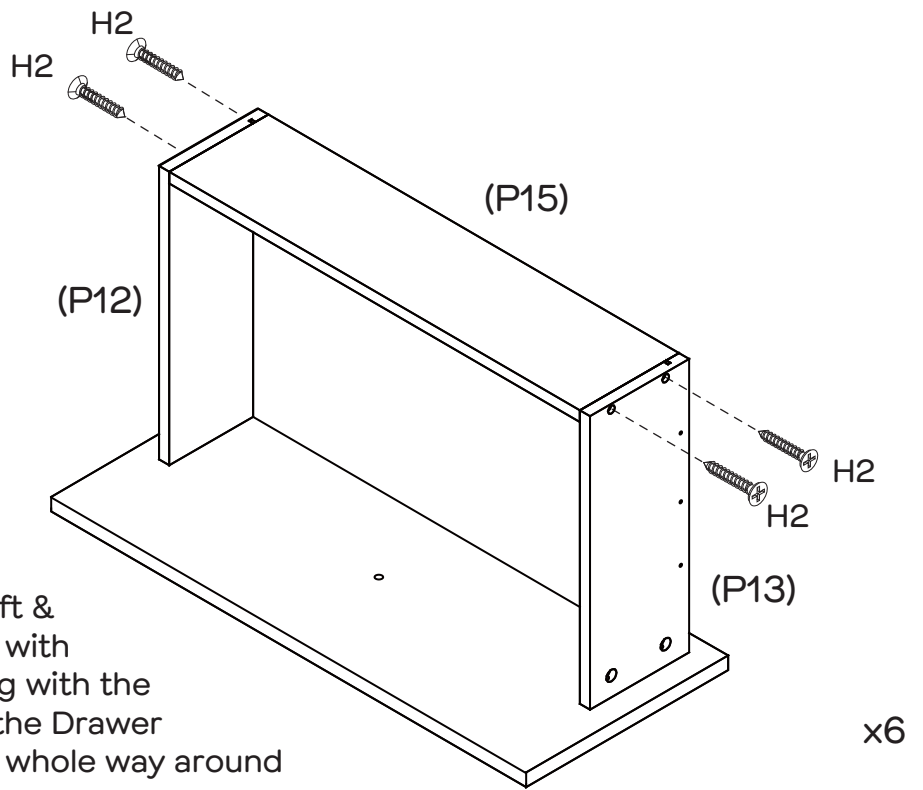
Step 17



Slide Drawer Bases (P14x6) into the grooves of Left & Right Drawer Sides (P12x6&P13x6).

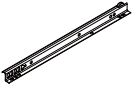
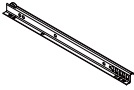


Step 18

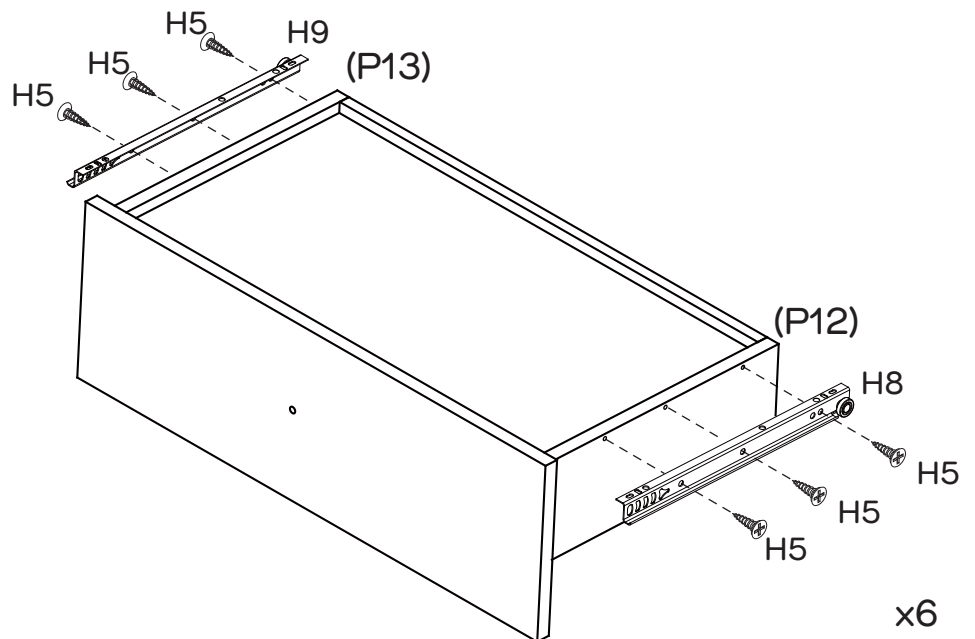
You will need	
	
24 x Screws (H2)	Phillips Head Screwdriver



Attach Drawer Backs (P15x6) to Left & Right Drawer Sides (P12x6&P13x6) with 12 x Long Screws (H2) by tightening with the Phillips Head Screwdriver. Ensure the Drawer Base lines up with the grooves the whole way around the drawer before securing.




Step 19

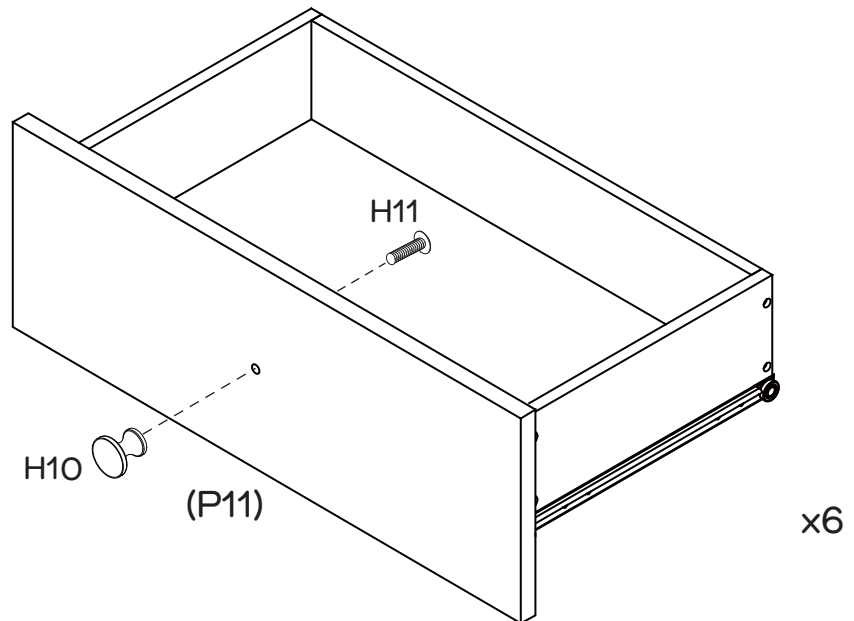
You will need	
	
6 x DL Runners (H8)	6 x DR Runners (H9)
	
36 x Small Screws (H5)	Phillips Head Screwdriver



Attach 6 x DL Runners (H8) to the bottom of Left Drawer Sides (P12x6) and 6 x DR Runners (H9) to the bottom of Right Drawer Sides (P13x6) with 36 x Small Screws (H5) by tightening with the Phillips Head Screwdriver.

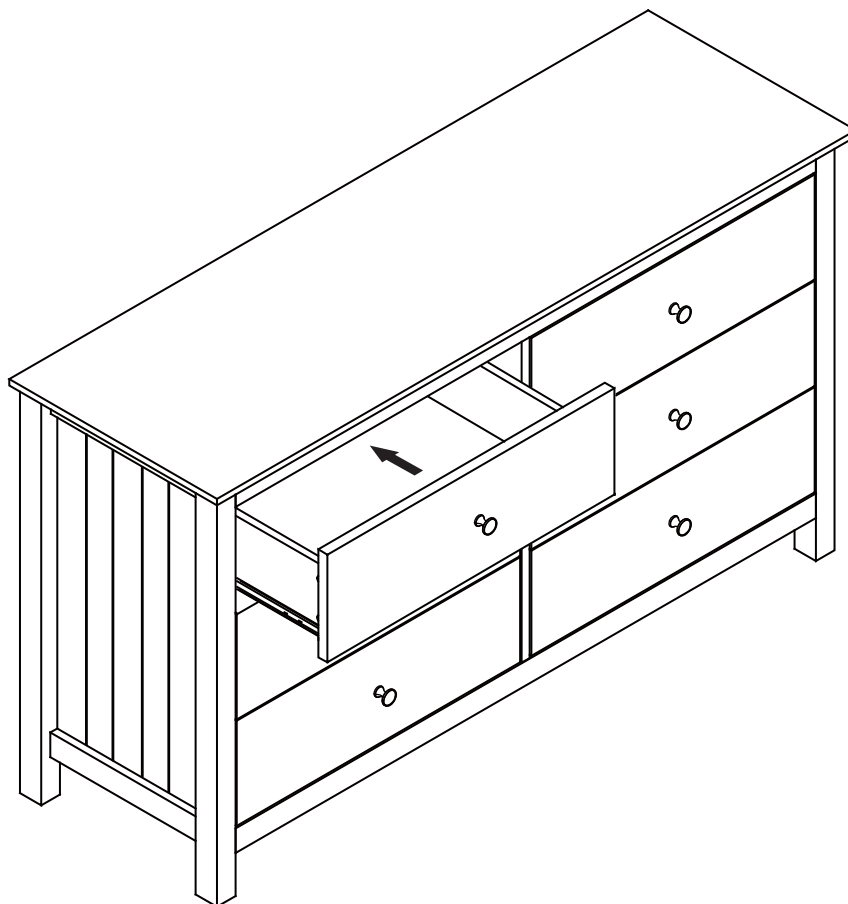
Step 20

You will need	
	
6 x Handles (H10)	6 x Handle Bolts (H11)
	
Phillips Head Screwdriver	





Attach 6 x Handles (H10) to Drawer Fronts (P11x6) with 6 x Handle Bolts (H11) by tightening with the Phillips Head Screwdriver.

Step 21

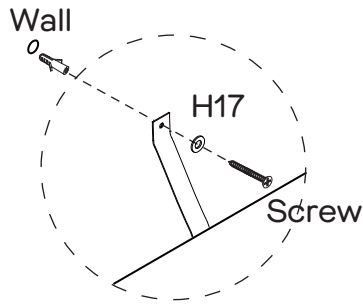


Insert the assembled drawers into the corresponding compartments as shown. Ensure the drawers slide easily along the rails.

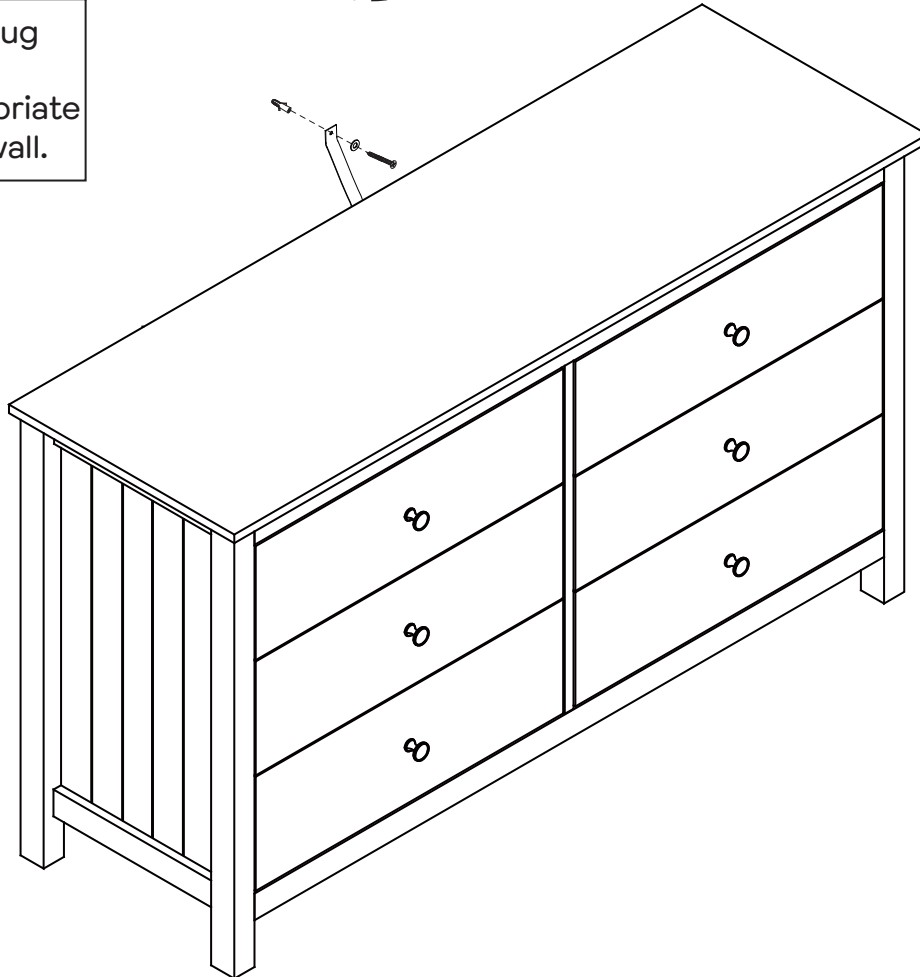
Step 22

You will need	
	
1 x Washer (H17)	Phillips Head Screwdriver

Screw and Wall Plug are not provided.
Please use appropriate fixtures for your wall.



Seek advice from a qualified trades person on how to attach this safety strap to your specific wall.



Move the unit to the final position, and attach the safety strap to the wall securely. Make sure it is firmly attached and snug fit.

Job Complete!

In the interest of our environment please dispose of all packaging thoughtfully.