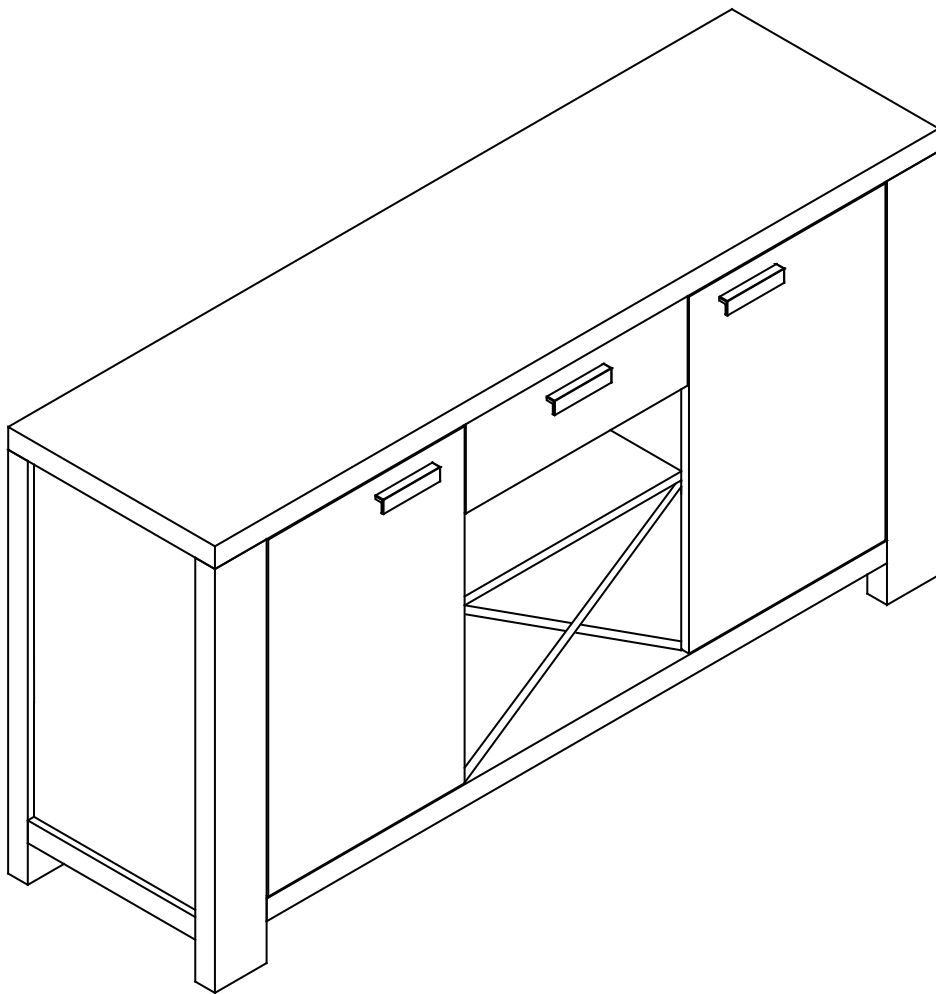


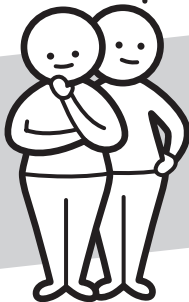


**Fantastic
Furniture**

Version 1.0



Two People



Required

Havana
Buffet 2 Door

fantasticfurniture.com.au

Recommended weight capacity : 80kg.

Looks like you've found your Fantastic!

We're thrilled you've chosen Fantastic Furniture
to help create a home you'll love!



Fantastic Furniture

Love it? Share it!

Fantastic buy! Share how it looks at home on Instagram for
your chance to win a \$250 Fantastic Furniture Gift Card!

@fantasticfurniture

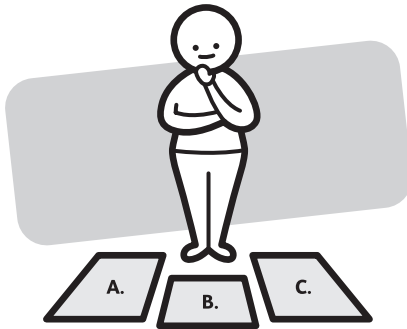
Assembly Checklist



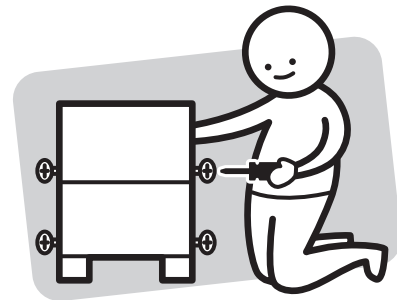
Read through the instructions carefully before you begin.



Make sure you have all the required tools. Never use power tools unless instructed.



Identify and lay out all of the components before you begin assembly.



Unless instructed, do not fully tighten screws until the item is fully assembled.

Useful Information

- ! Never use power tools unless specifically instructed. They can damage your components or hardware if used incorrectly.
- ! The most common mistakes made during assembly are using the wrong hardware or getting components back to front.
- ! Always use a soft surface (such as carpet or cardboard) when assembling your product to avoid scratching or damaging the surface of the product.
- ! Bulky items such as wardrobes and bunk beds should be assembled in the room they will be used in as they may not fit through a door once assembled.
- ! Never use any glue until you are certain that the parts belong together.
- ! Periodically check and re-tighten all fasteners. Check the product care label or website for product care instructions.
- ! If you are having any difficulties assembling your product, missing any hardware or components please visit our website Help Centre for further assistance.
- ! Please see page 2 for any safety requirements or weight restrictions.

What you need

to assemble the product



DO NOT USE

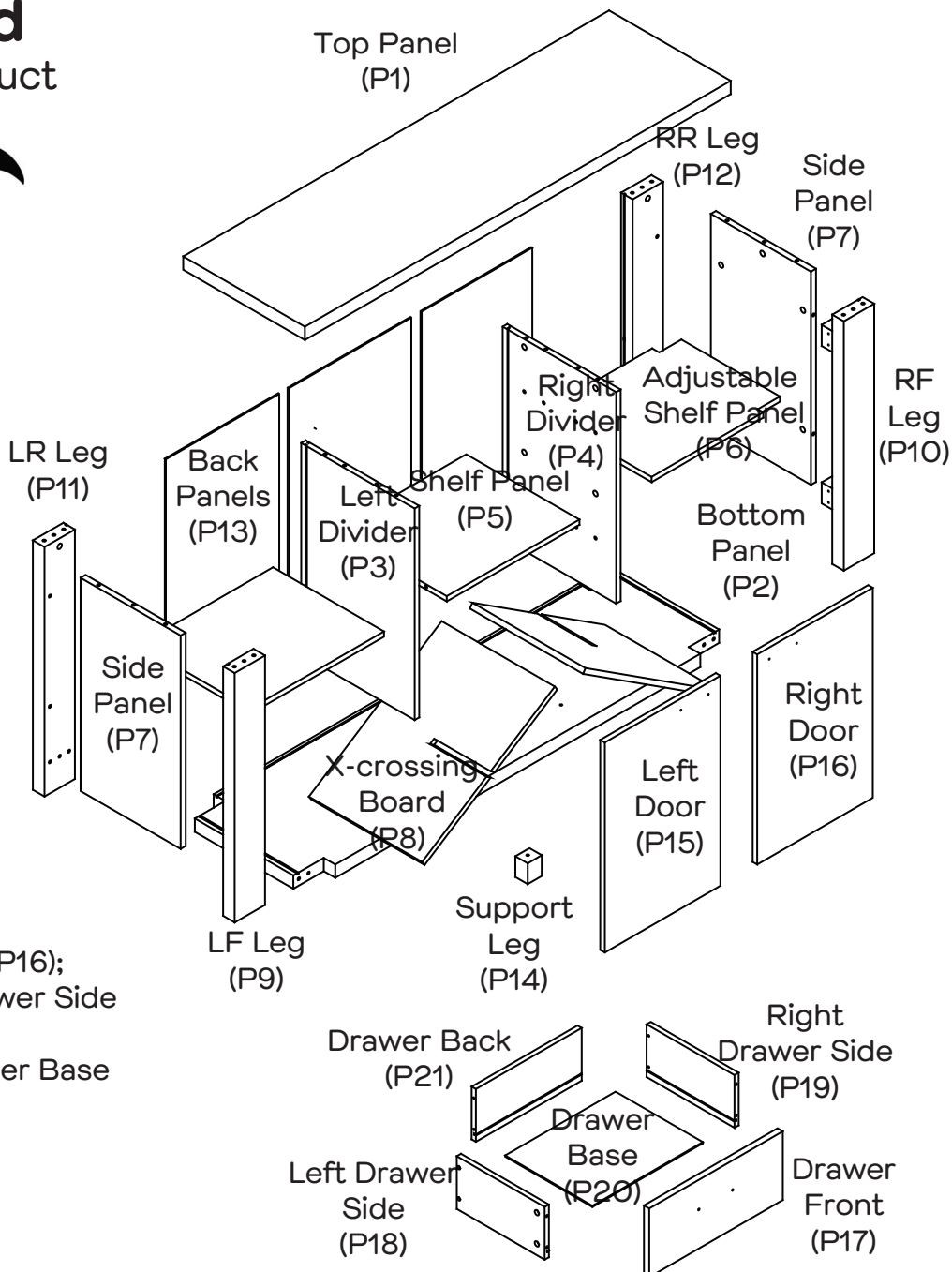


Other tools you need:

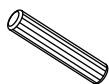
Phillips head screwdriver;
Hammer

Parts list

Top Panel (P1);
Bottom Panel (P2);
Left Divider (P3);
Right Divider (P4);
Shelf Panel (P5);
Adjustable Shelf Panel (P6);
Side Panel (P7);
X- crossing Board (P8)
LF Leg (P9); RF Leg (P10);
LR Leg (P11); RR Leg (P12);
Back Panel (P13);
Support Leg (P14);
Left Door (P15); Right Door (P16);
Drawer Front (P17); Left Drawer Side (P18);
Right Drawer Side (P19); Drawer Base (P20);
Drawer Back (P21);



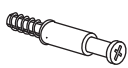
Hardware pack



16 x Dowels (H1)



16 x Small Dowels (H2)



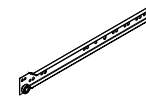
26 x Cam Bolts (H3)



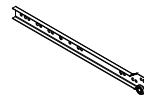
26 x Cam Nuts (H4)



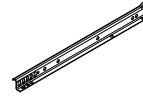
8 x Small Screws (H5)



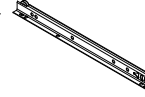
1 x CL Runner Tracks (H6)



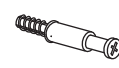
1 x CR Runner Tracks (H7)



1 x DL Runners (H8)



1 x DR Runners (H9)



4 x Small Cam Bolts (H10)



4 x Small Cam Nuts (H11)



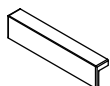
4 x Long Screws (H12)



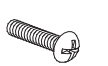
6 x Inside Hexagonal Screws (H13)



5 x Plastic Glides (H14)



3 x Handles (H15)



6 x Round Head Bolts (H16)



4 x Hinges (H17)



24 x Timber Screws (H18)



1 x Double Ended Screws (H19)



1 x Allen Key (H20)

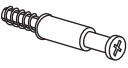



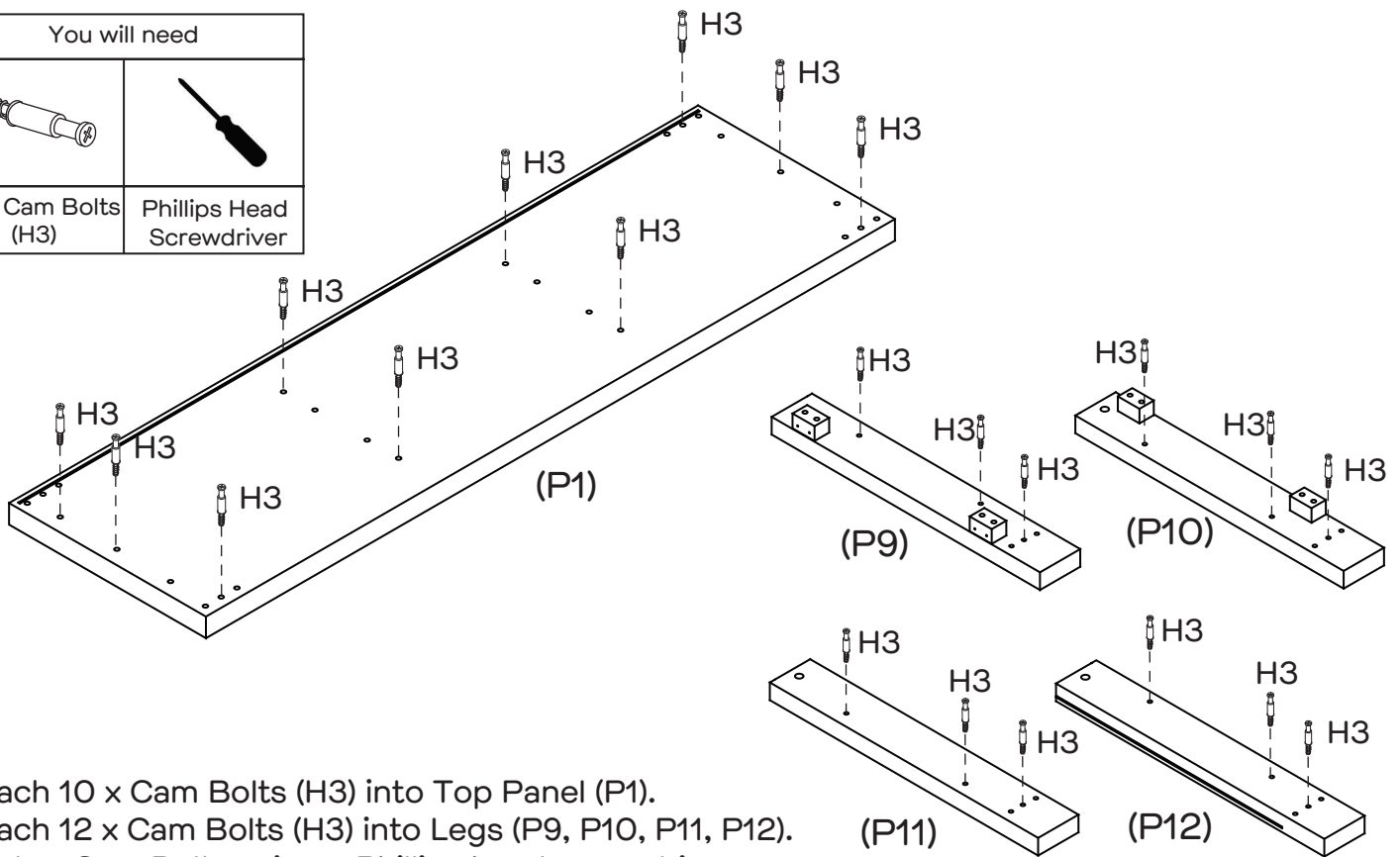
8 x Shelf Pin (H21)



2 x Rubber Stickers (H22)

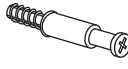

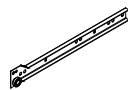
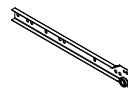

Step 1

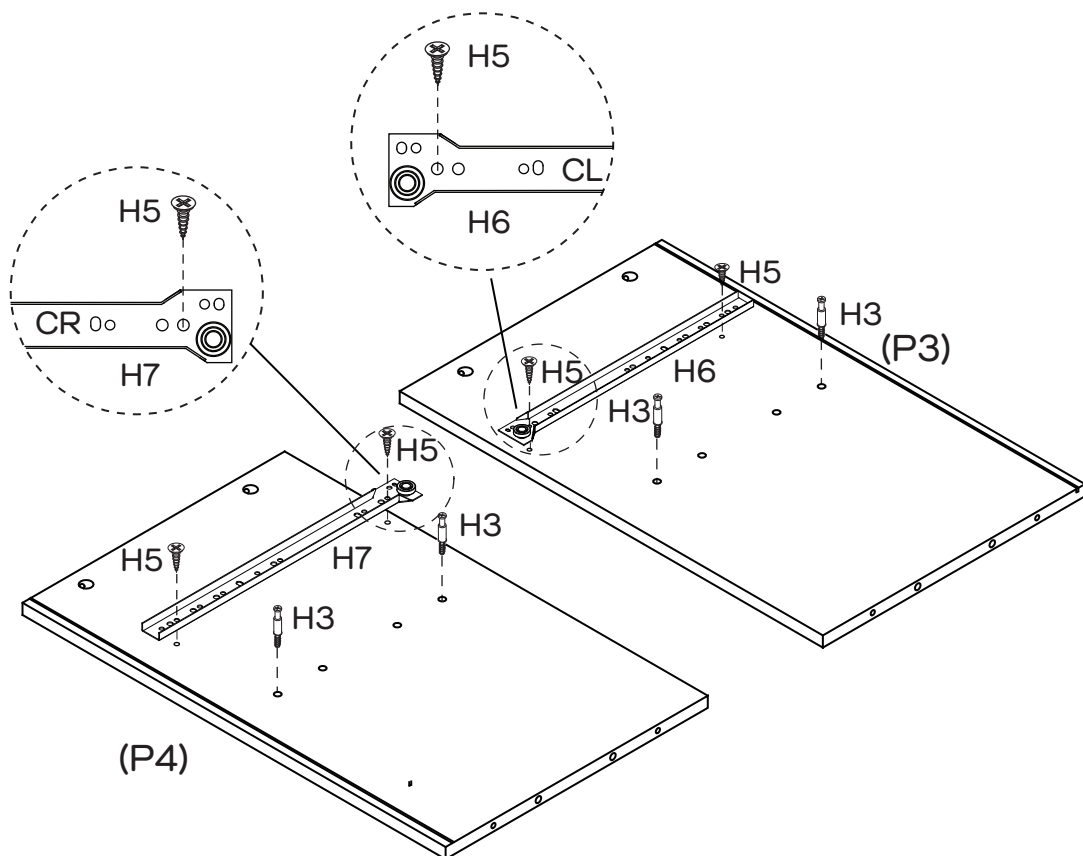
You will need	
	
22 x Cam Bolts (H3)	Phillips Head Screwdriver



Attach 10 x Cam Bolts (H3) into Top Panel (P1).
 Attach 12 x Cam Bolts (H3) into Legs (P9, P10, P11, P12).
 Tighten Cam Bolts using a Phillips head screwdriver.

Step 2

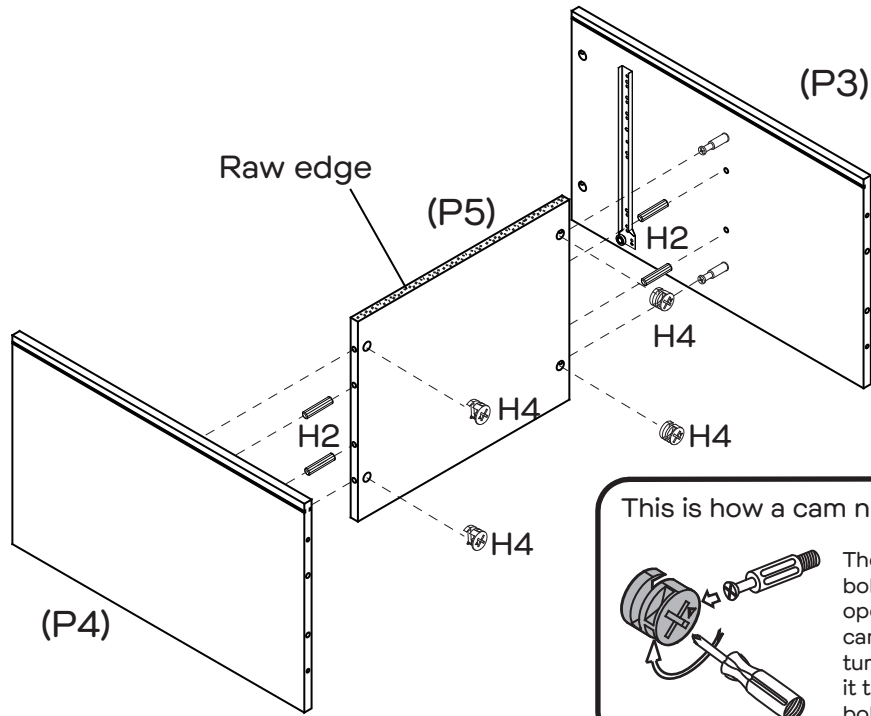
You will need	
	
4 x Cam Bolts (H3)	4 x Small Screws (H5)
	
1 x CL Runner Tracks (H6)	1 x CR Runner Tracks (H7)
	
Phillips Head Screwdriver	



Attach 4 x Cam Bolts (H3) into Dividers (P3, P4).
 Attach 1 x CL Runner Tracks (H6) and 1 x CR Runner Tracks (H7)
 to Dividers (P3, P4) with 4 x Small Screws (H5).
 Tighten the cam bolts and screws using a Phillips head screwdriver.

Step 3

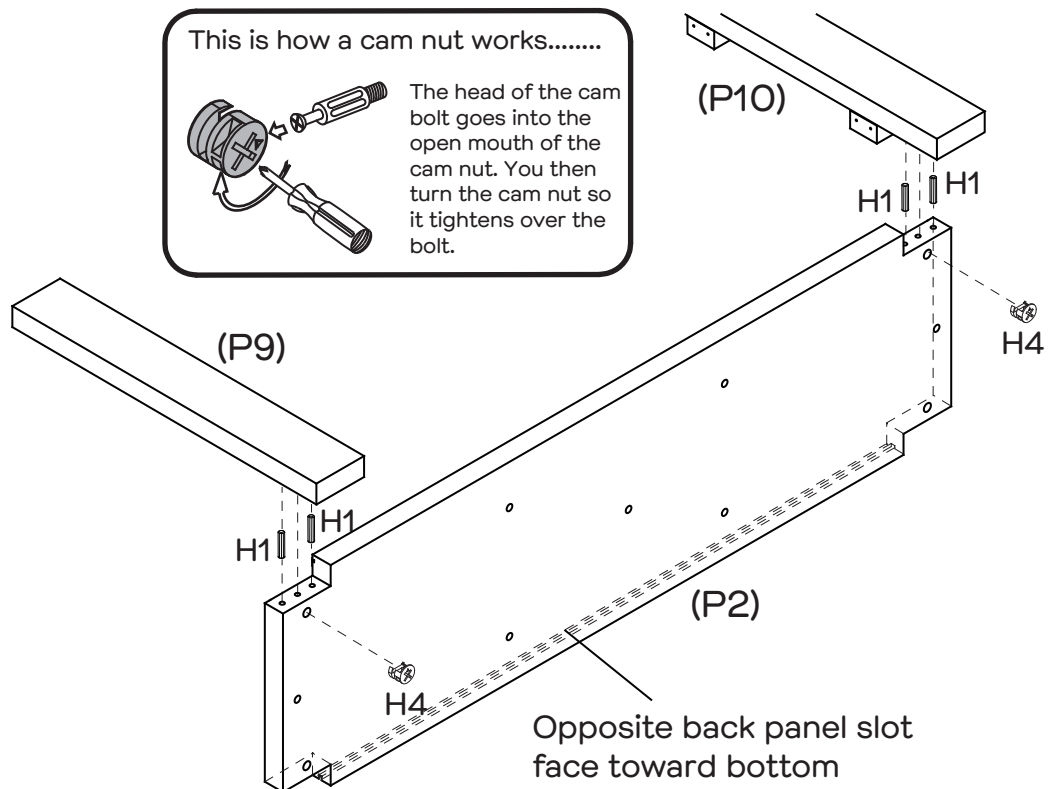
You will need	
4 x Small Dowels (H2)	4 x Cam Nuts (H4)
Phillips Head Screwdriver	



Insert 4 x Small Dowels (H2) and 4 x Cam Nuts (H4) into the holes of Shelf Panel (P5) as shown. Rotate the cam nuts so the arrows point towards the incoming cam bolts. Attach Dividers (P3, P4) to Shelf Panel (P5), then tighten the cam nuts using a Phillips head screwdriver.



Step 4

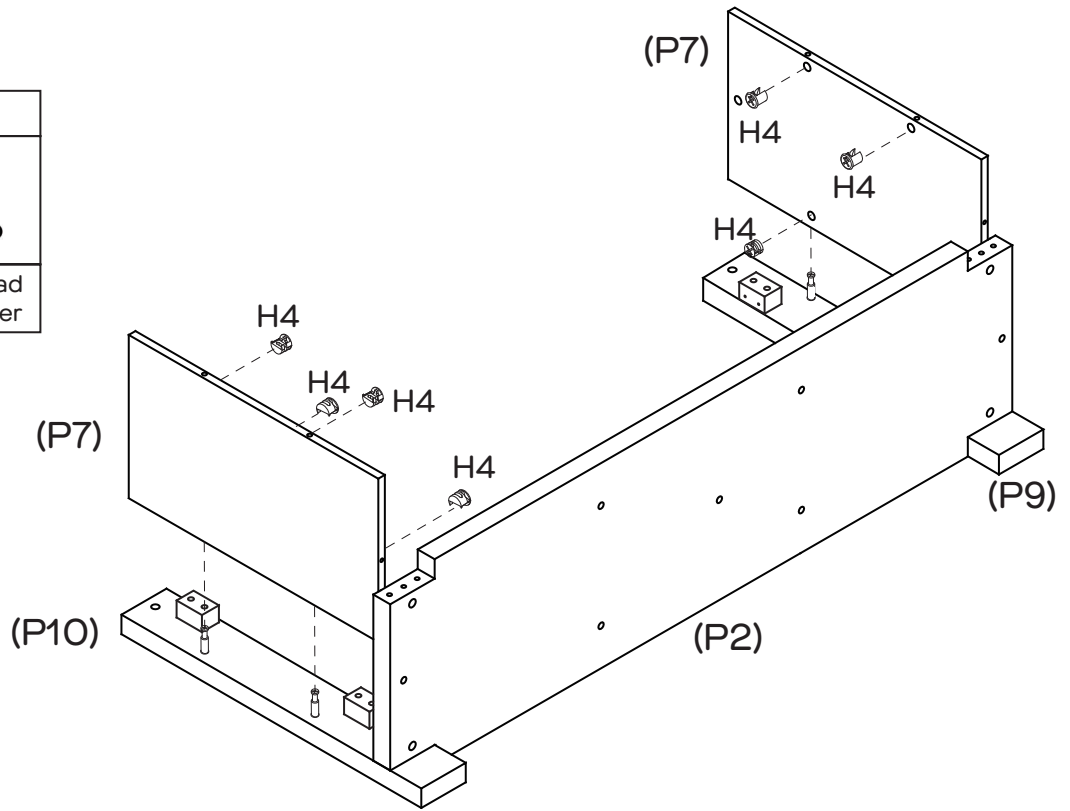
You will need	
4 x Dowels (H1)	2 x Cam Nuts (H4)
Phillips Head Screwdriver	



Insert 4 x Dowels (H1) into Bottom Panel (P2). Insert 2 x Cam Nuts (H4) into place as shown. Rotate the cam nuts so the arrows point towards the incoming cam bolts. Attach Legs (P9, P10) to Bottom Panel (P2), then tighten the cam nuts using a Phillips head screwdriver.

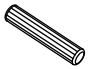


Step 5

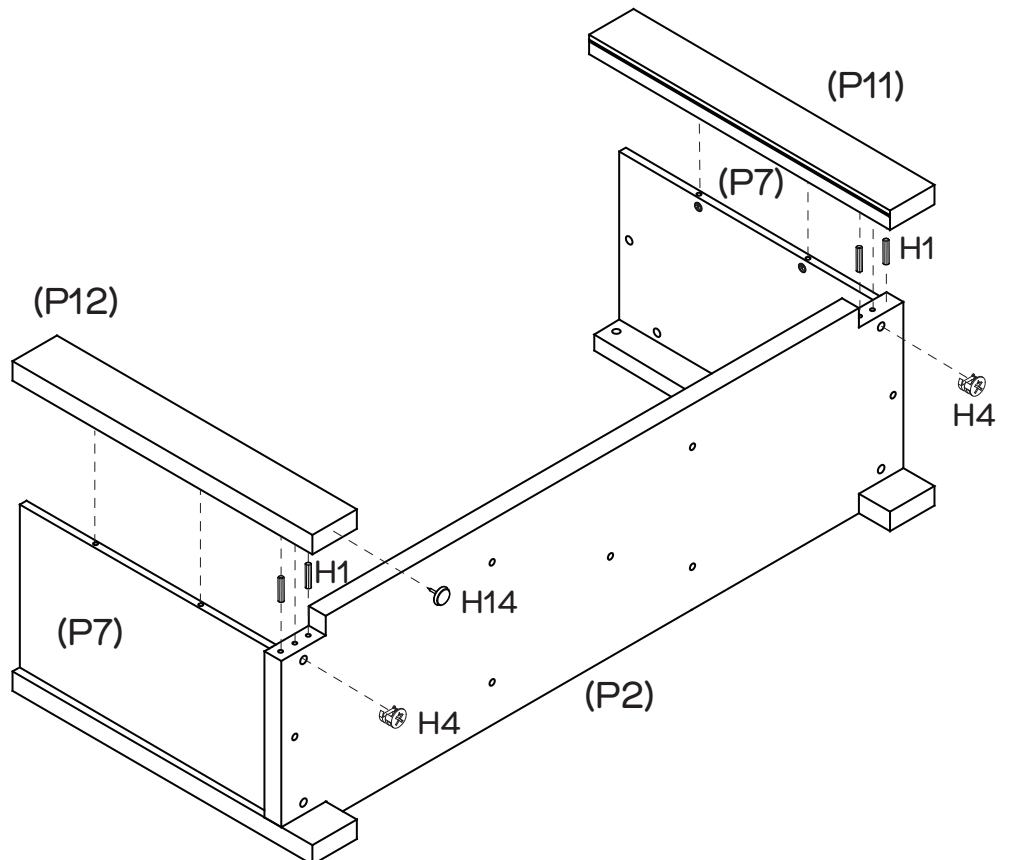
You will need	
	
8 x Cam Nuts (H4)	Phillips Head Screwdriver



Insert 8 x Cam Nuts (H4) into Side Panels (P7).
 Rotate the cam nuts so the arrows point towards the incoming cam bolts.
 Attach Side Panels (P7) to Legs (P9, P10),
 then tighten the cam nuts using a Phillips head screwdriver.

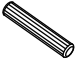



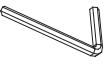

Step 6

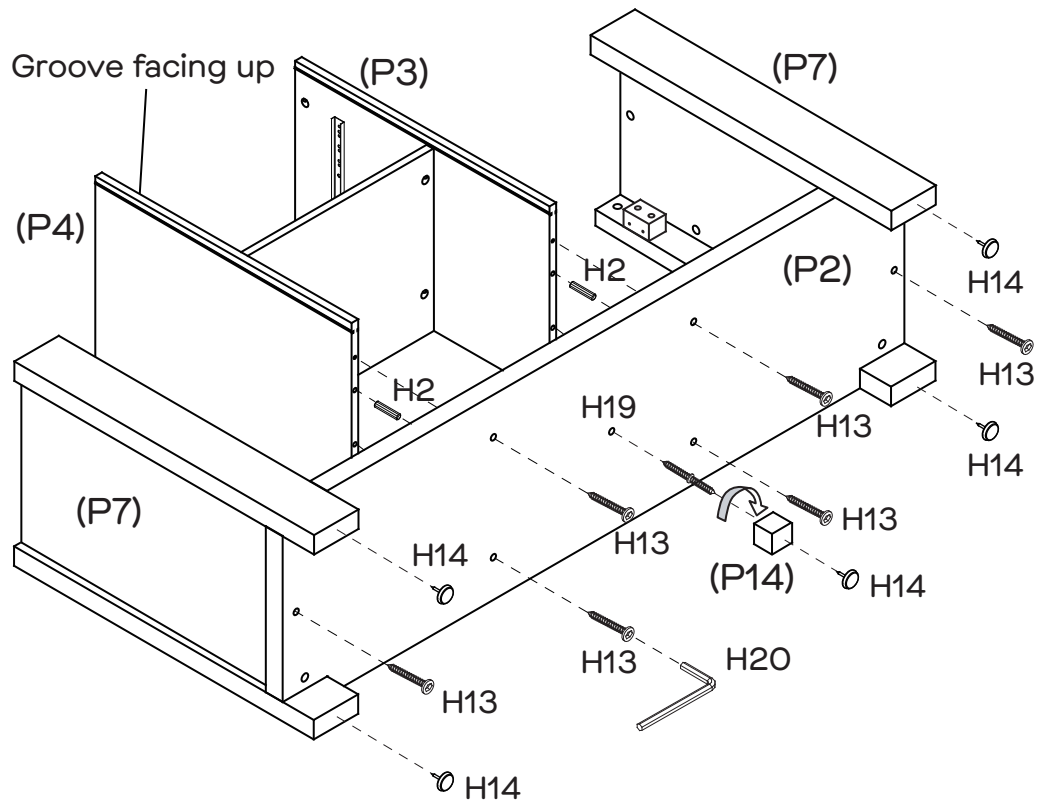
You will need	
	
4 x Dowels (H1)	2 x Cam Nuts (H4)
	
Phillips Head Screwdriver	



Insert 4 x Dowels (H1) into Bottom Panel (P2). Insert 2 x Cam Nuts (H4) into the holes of Bottom Panel (P2) as shown. Rotate the cam nuts so the arrows point towards the incoming cam bolts. Attach Legs (P11, P12) to Side Panels (P7), then tighten the cam nuts using a Phillips head screwdriver.

Step 7

You will need	
	
4 x Small Dowels (H2)	6 x Inside Hexagonal Screws (H13)
	
5 x Plastic Glides (H14)	1 x Double Ended Screws (H19)
	
1 x Allen Key (H20)	Hammer

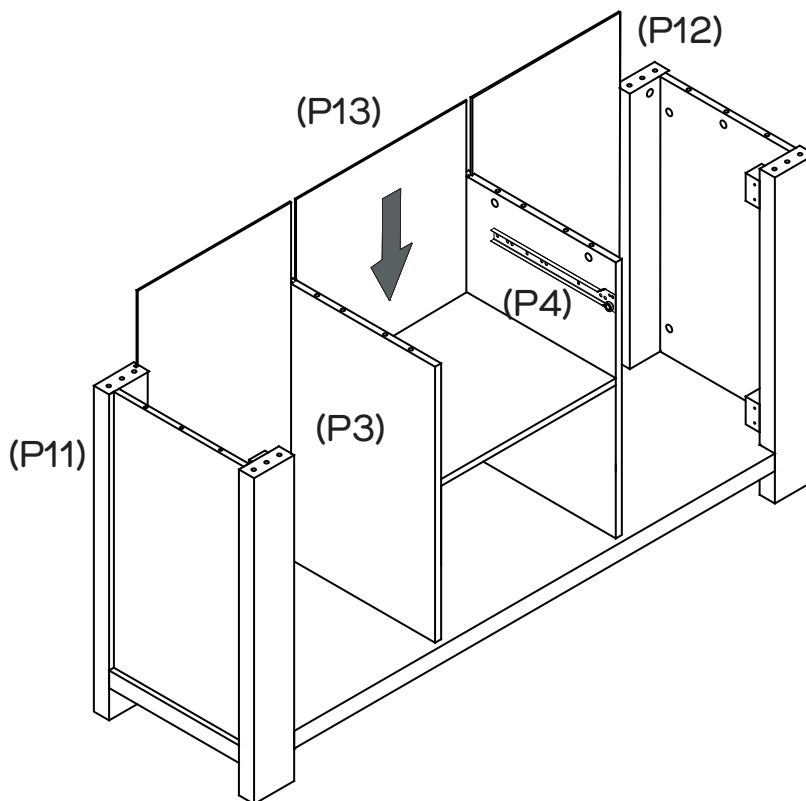


Insert 4 x Small Dowels (H2) into Dividers (P3, P4).

Attach Dividers (P3, P4) and Side Panels (P7) to Bottom Panel (P2) with 6 x Inside Hexagonal Screws (H13) using Allen Key (H20).

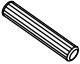
Attach Support Leg (P14) to Bottom Panel (P2) with 1 x Double Ended Screws (H19), then hammer 5 x Plastic Glides (H14) on Legs (P9, P10, P11, P12) and Support Leg (P14).

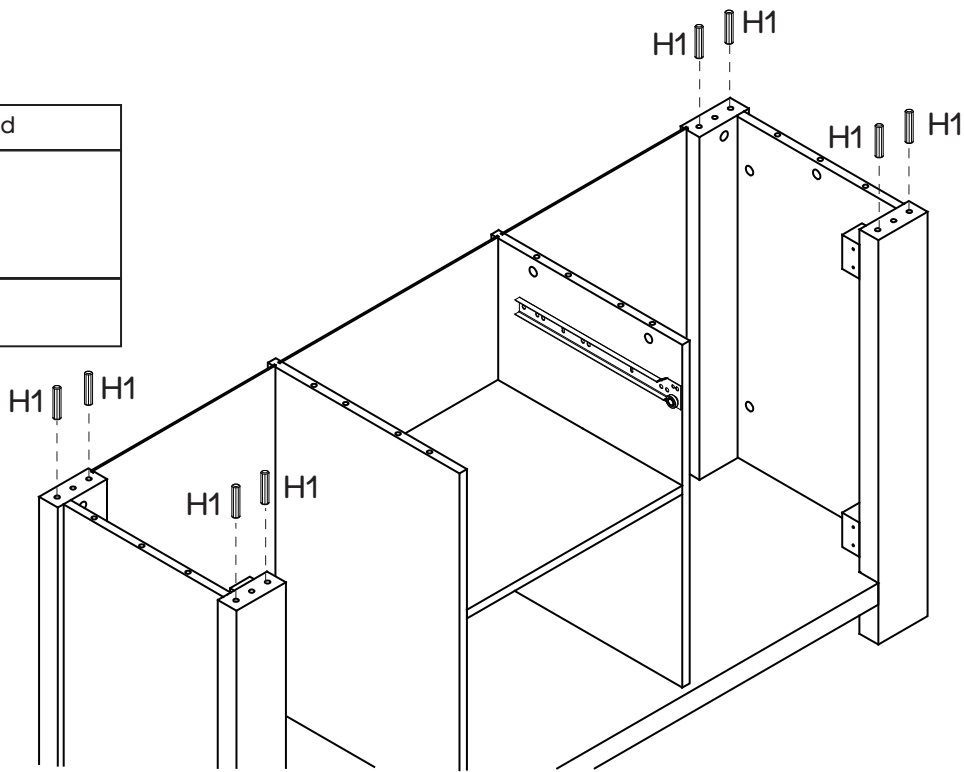
Step 8



Slide Back Panels (P13) into the slot at back of unit as shown, ensuring panels fit into groove in Bottom Panel (P2).

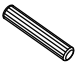


Step 9

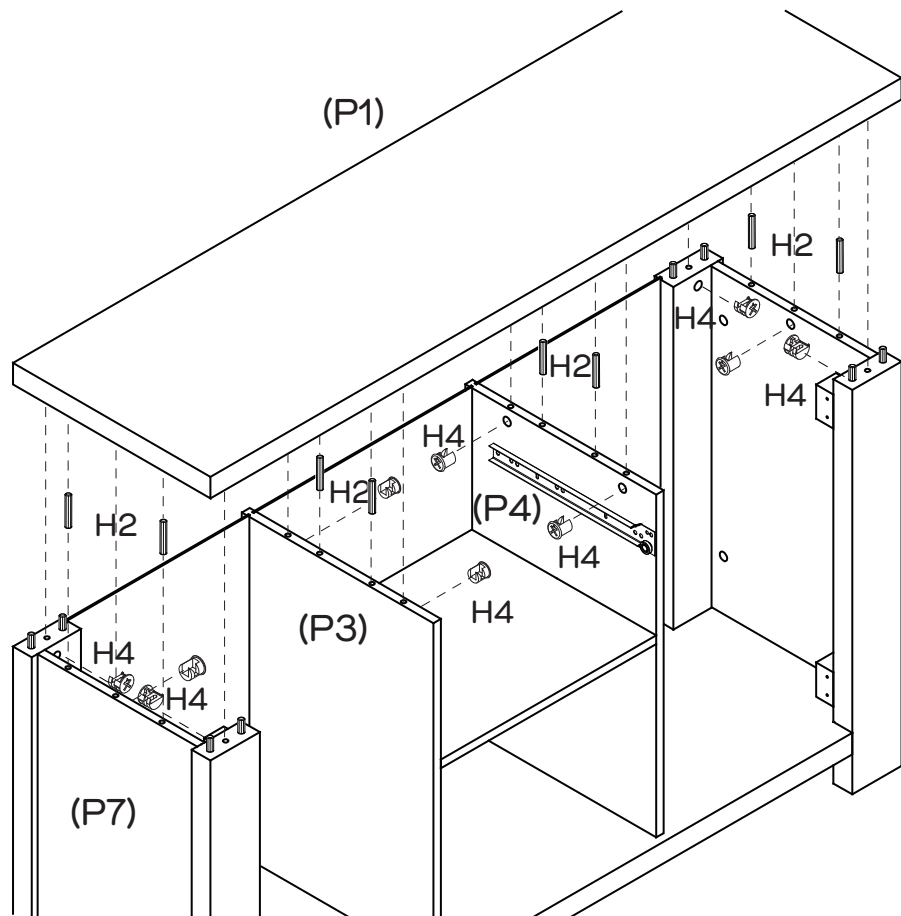
You will need	
	
8 x Dowels (H1)	



Insert 8 x Dowels (H1) into Legs (P9, P10, P11, P12).

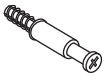

Step 10

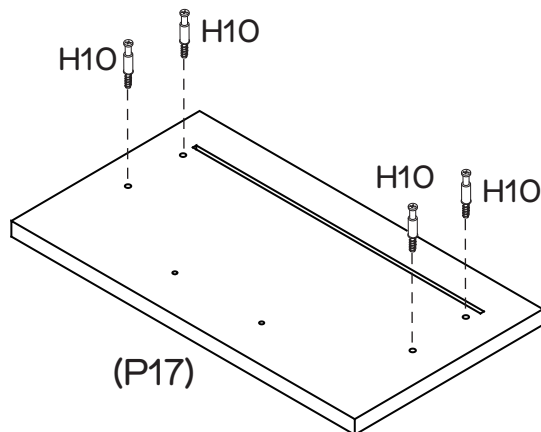
You will need	
	
8 x Small Dowels (H2)	10 x Cam Nuts (H4)
	
Phillips Head Screwdriver	



Insert 8 x Small Dowels (H2) into Dividers (P3, P4) and Side Panels (P7).
 Insert 10 x Cam Nuts (H4) into the holes of Dividers (P3, P4) and Legs (P9, P10, P11, P12).
 Rotate the cam nuts so the arrows point towards the incoming cam bolts.
 Attach Top Panel (P1) and tighten the cam nuts using a Phillips head screwdriver.



Step 11

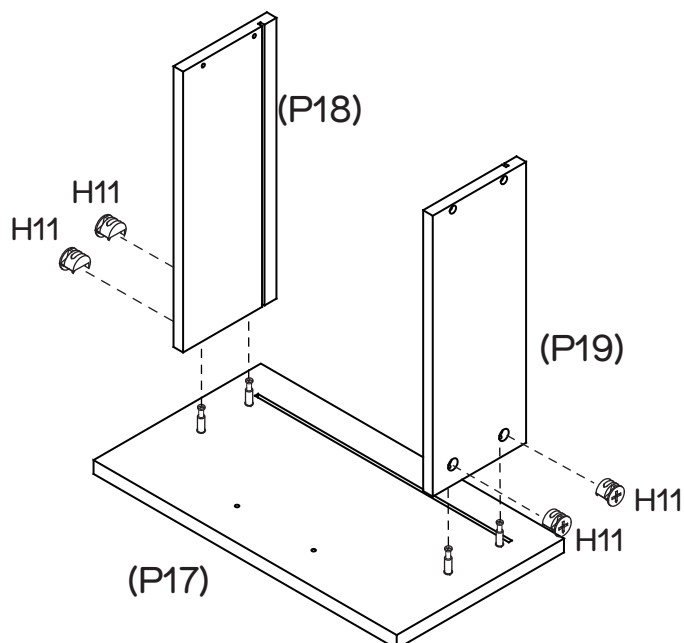
You will need	
	
4 x Small Cam Bolts (H10)	Phillips Head Screwdriver



Screw 4 x Small Cam Bolts (H10) into Drawer Front (P17) with a Phillips head screwdriver.

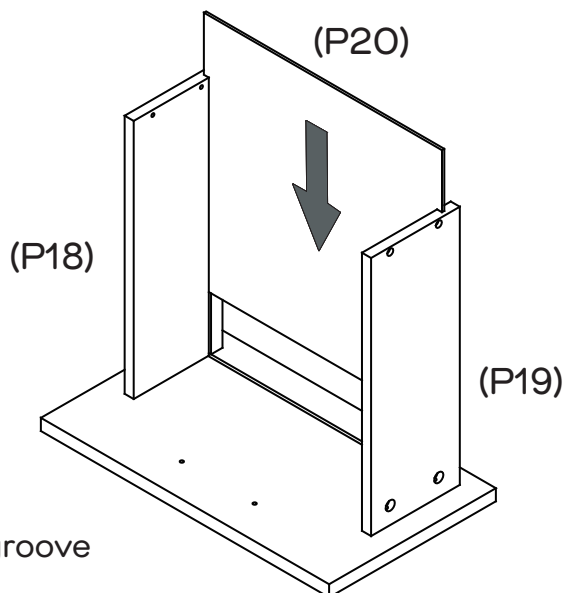
Step 12

You will need	
	
4 x Small Cam Nuts (H11)	Phillips Head Screwdriver





Insert 4 x Small Cam Nuts (H11) into the holes of Drawer Sides (P18, P19). Rotate the cam nuts so the arrows point towards the incoming cam bolts. Push Drawer Sides (P18, P19) into place and tighten the cam nuts using a Phillips head screwdriver.

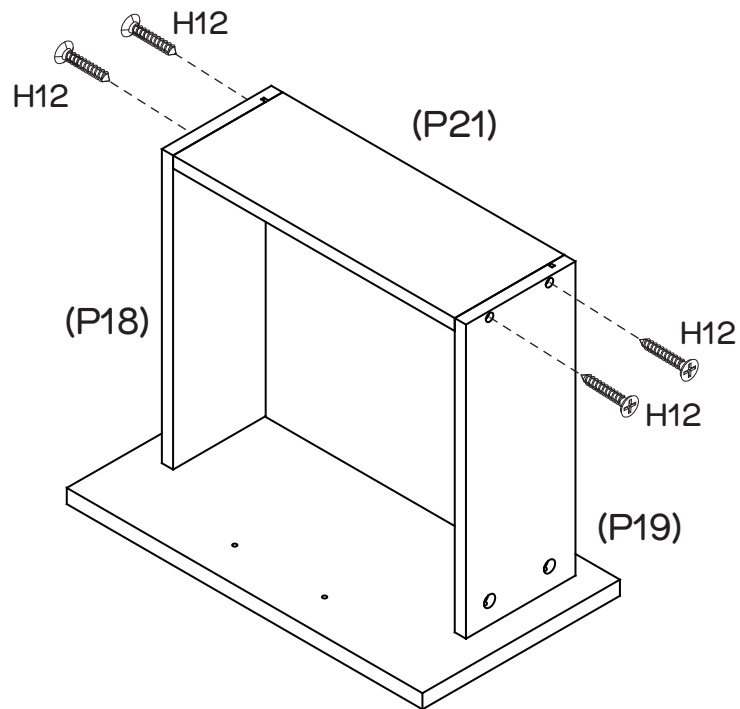
Step 13



Slide Drawer Base (P20) into the groove in Drawer Sides (P18) and (P19).

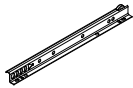
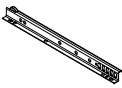


Step 14

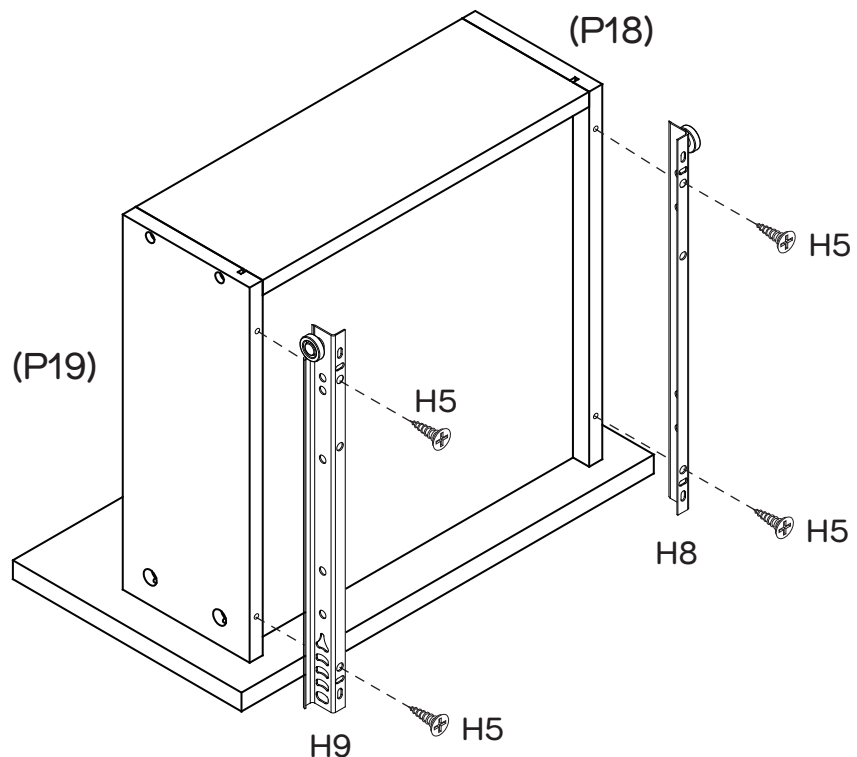
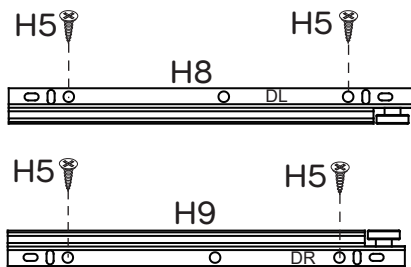
You will need	
	
4 x Long Screws(H12)	Phillips Head Screwdriver



Attach Drawer Back (P21) to Drawer Sides (P18, P19) with 4 x Long Screws (H12), make sure that the groove lines up the whole way around the drawer. Tighten Screws using a Phillips head screwdriver.

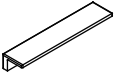
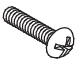

Step 15

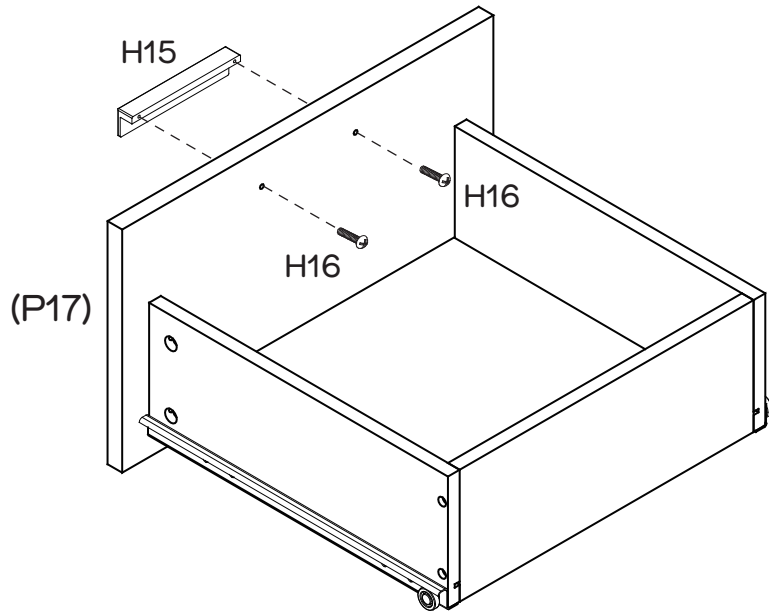
You will need	
	
1 x DL Runner (H8)	1 x DR Runner (H9)
	
4 x Small Screws (H5)	Phillips Head Screwdriver



Attach 1 x DL Runner (H8) to the bottom of Left Drawer Side (P18) and 1 x DR Runner (H9) to the bottom of Right Drawer Side (P19) with 4 x Small Screws (H5). Tighten Screws using a Phillips head screwdriver.

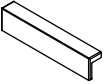
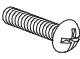



Step 16

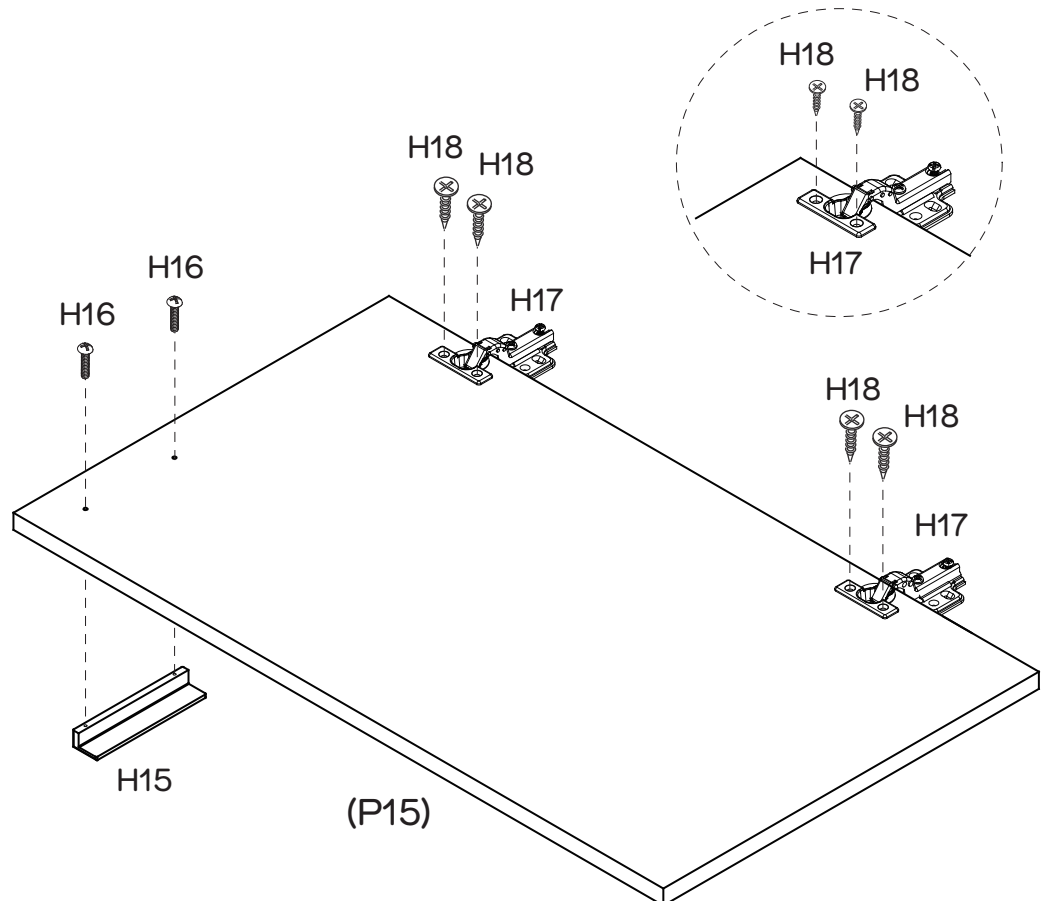
You will need	
	
1 x Handle (H15)	2 x Round Head Bolts (H16)
	
Phillips Head Screwdriver	



Attach 1 x Handle (H15) to Drawer Front (P17) with 2 x Round Head Bolts (H16). Tighten Round Head Bolts using a Phillips head screwdriver.



Step 17

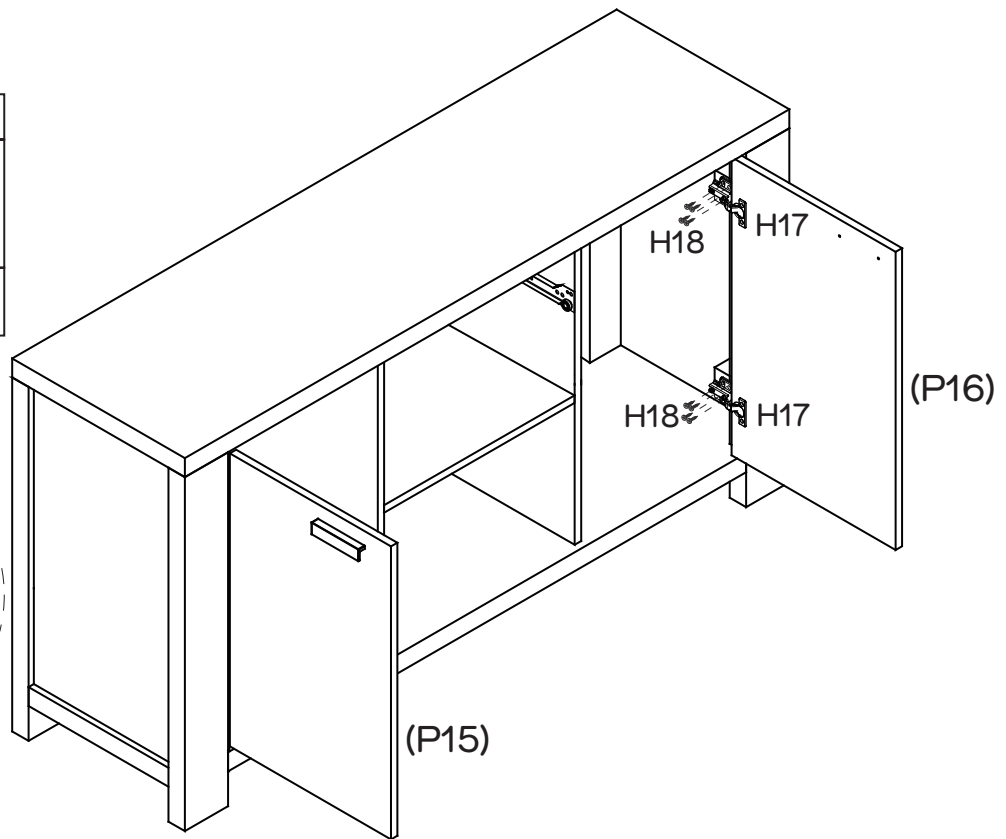
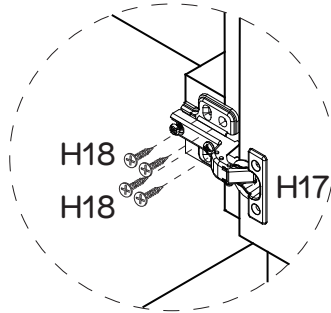
You will need	
	
2 x Handles (H15)	4 x Round Head Bolts (H16)
	
4 x Hinges (H17)	8 x Timber Screws (H18)
	
Phillips Head Screwdriver	



Attach 2 x Hinges (H17) to Left Door (P15) with 4 x Timber Screws (H18). Attach 1 x Handles (H15) to Left Door (P15) with 2 x Round Head Bolts (H16). Tighten Screws and Bolts using a Phillips head screwdriver. Repeat Step 17 for Right Door (P16).


Step 18

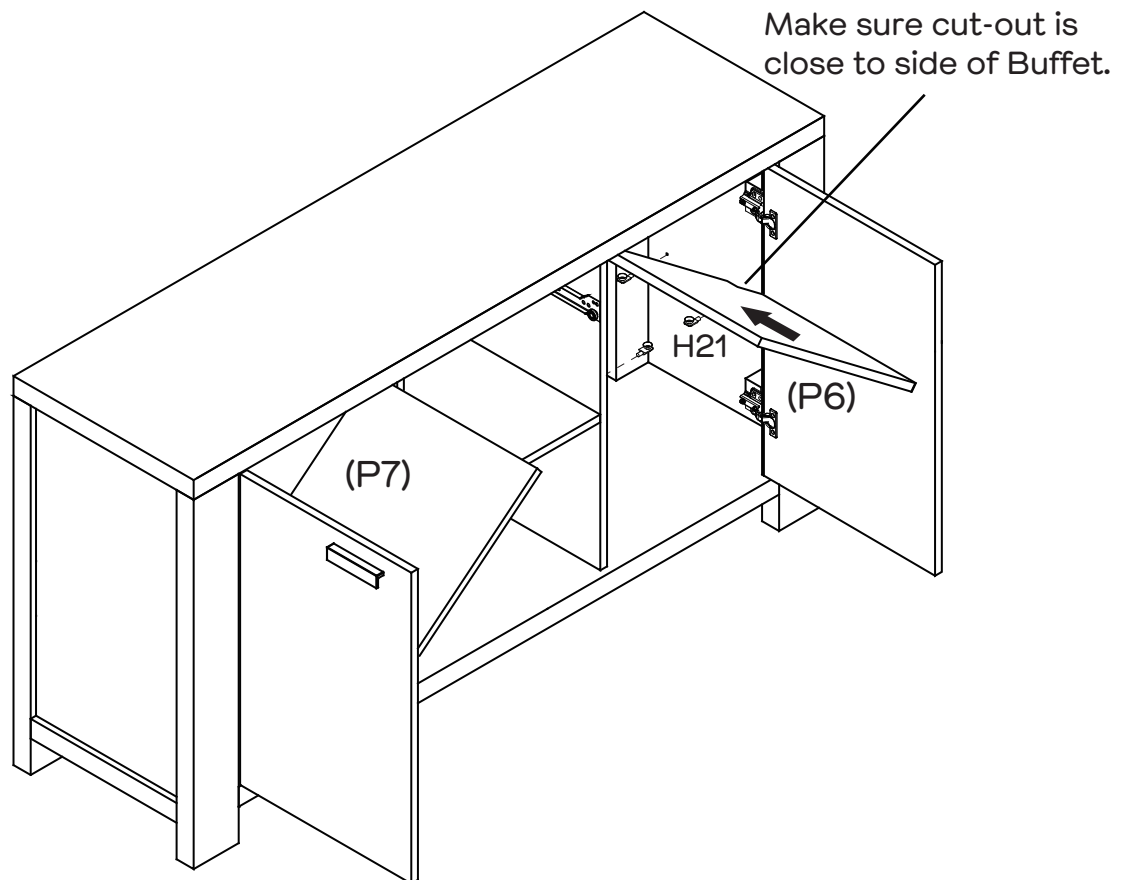
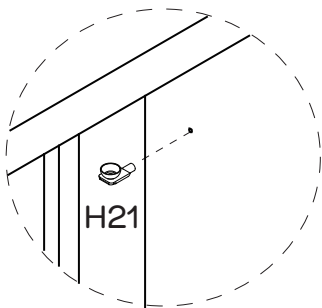
You will need	
	
16 x Timber Screws (H18)	Phillips Head Screwdriver



Attach Left Door (P15) to LF Leg (P9) and Right Door (P16) to RF Leg (P10) with 16 x Timber Screws (H18). Tighten Screws using a Phillips head screwdriver.


Step 19

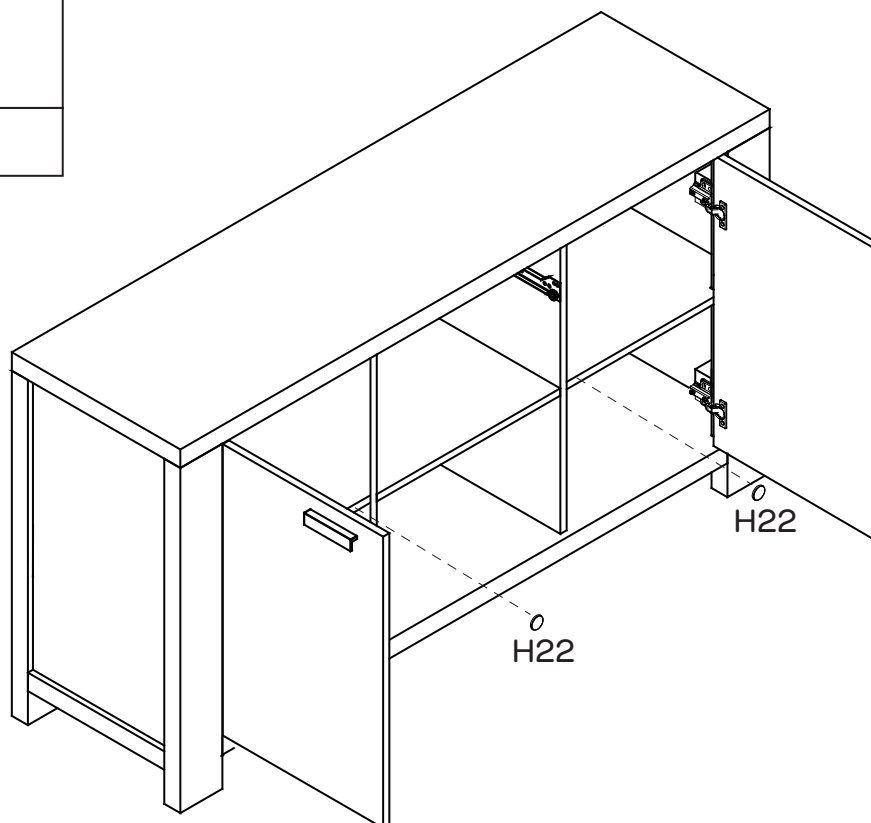
You will need	
	
8 x Shelf Pins (H21)	



Insert 8 x Shelf Pins (H21) into the holes of Side Panels (P7) as shown. Insert Shelf Panels (P7) into cupboard by holding on angle, then turn flat once inside to rest on Shelf Pins (P21).

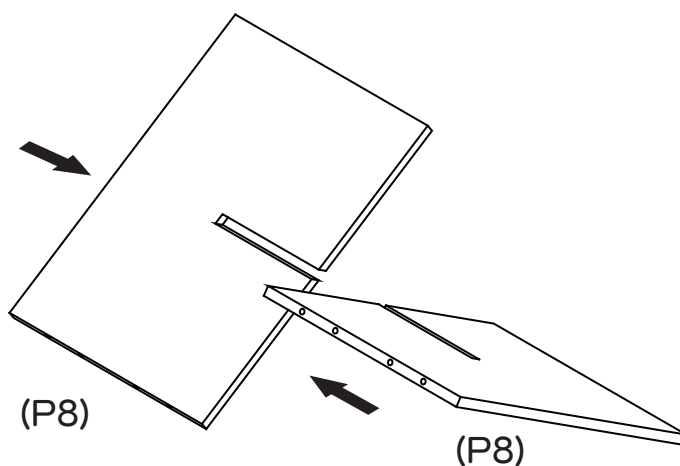
Step 20

You will need	
	
2 x Rubber Stickers (H22)	



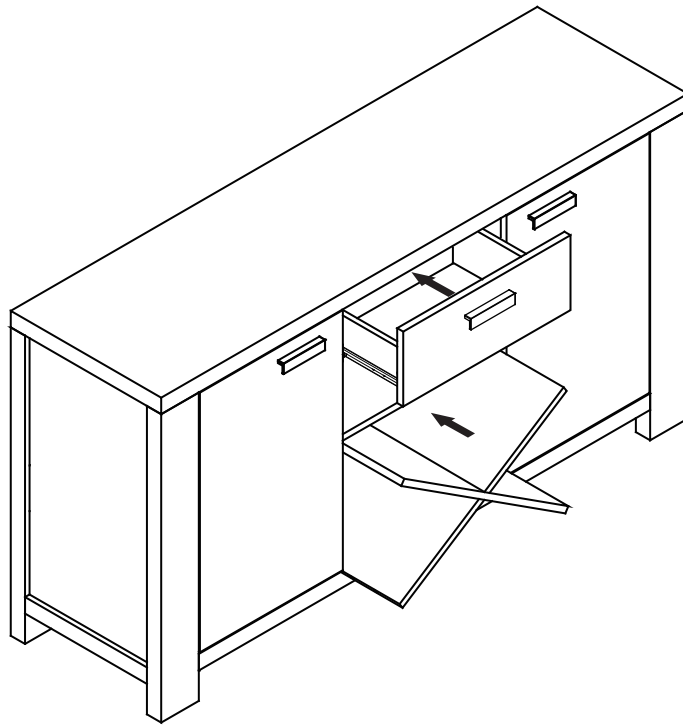
Stick 2 x Rubber Stickers (H22) to Adjustable Shelf Panels (P6) as shown.

Step 21



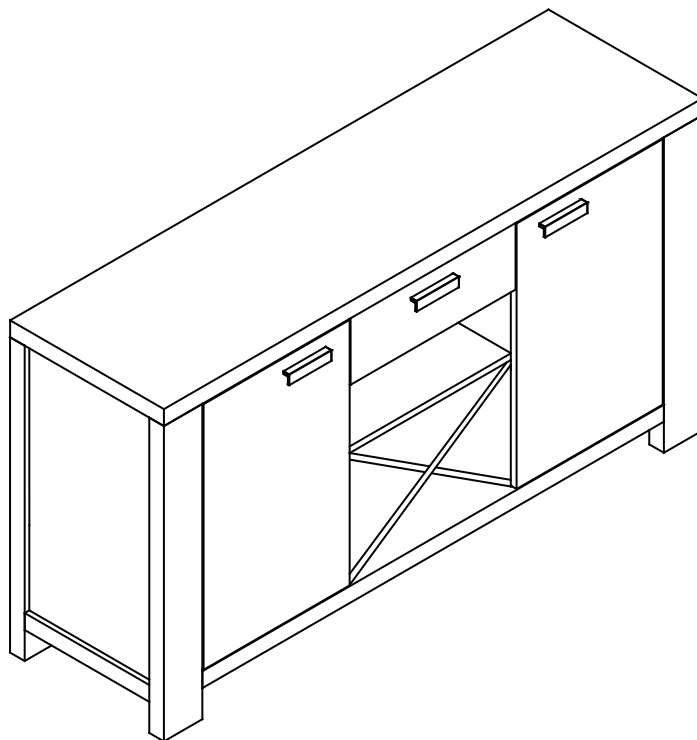
Slot 2 x X-crossing Boards (P8) together as shown.

Step 22



Insert 2 x X-crossing Boards into the space under drawer.
Align the drawer runners with space in Buffet and insert drawer. Do not use heavy force.

Step 23



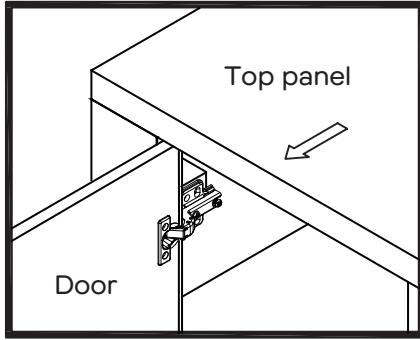
Job Complete!

In the interest of our environment please dispose of all packaging thoughtfully.

TO ADJUST YOUR DOORS TO MAKE THE GAPS MORE EVEN

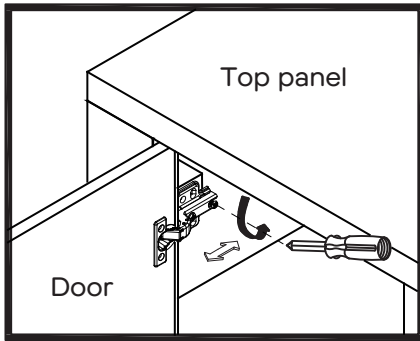
STEP 1

Open the door.



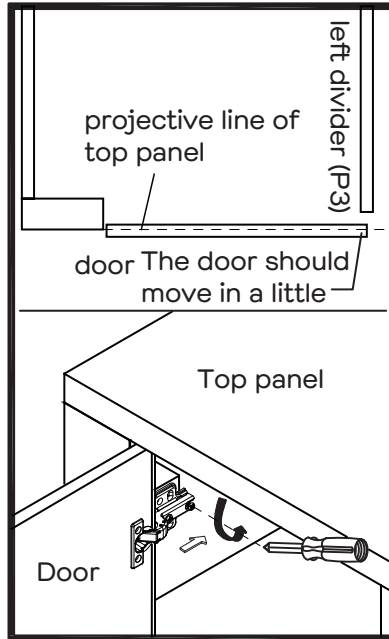
STEP 2

Adjust the door move in or out a little



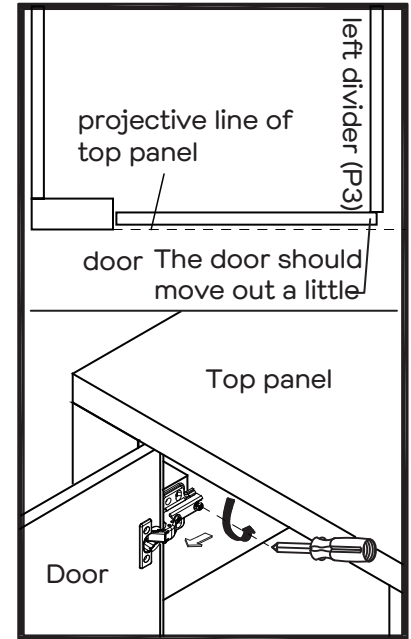
Loosen the screw indicated a little, adjust the hinge to right position (see step 2a & 2B), then tighten screw.

STEP 2a MOVE DOOR IN



Push the hinge back a little.

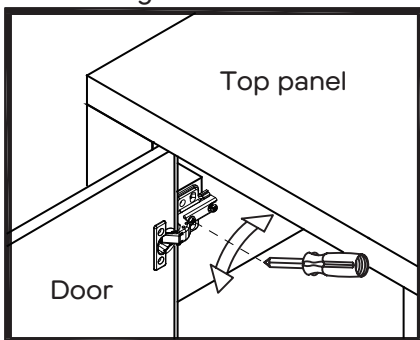
STEP 2b MOVE DOOR OUT



Pull the hinge forward a little.

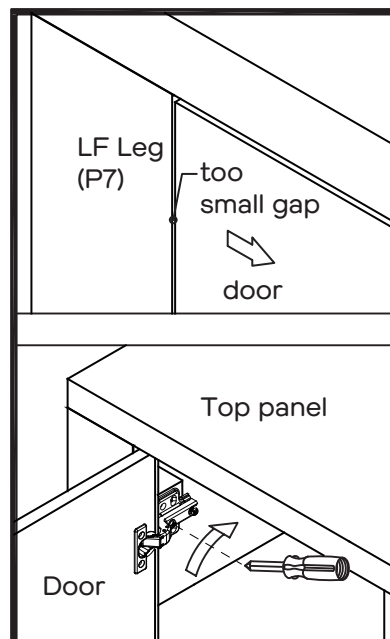
STEP 3

To adjust the gap between door and leg



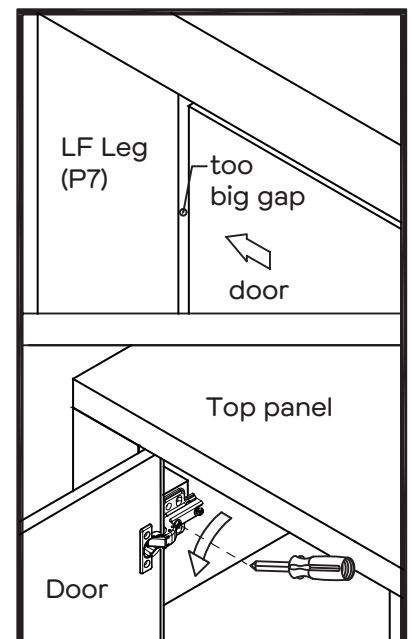
Loosen or tighten the screw indicated a little to adjust the gap between door and leg (see step 3a & step 3b)

STEP 3a MOVE DOOR RIGHT



Turn the screw clockwise a little as shown to make the gap big.

STEP 3b MOVE DOOR LEFT



Turn the screw counterclockwise a little as shown to make the gap small.