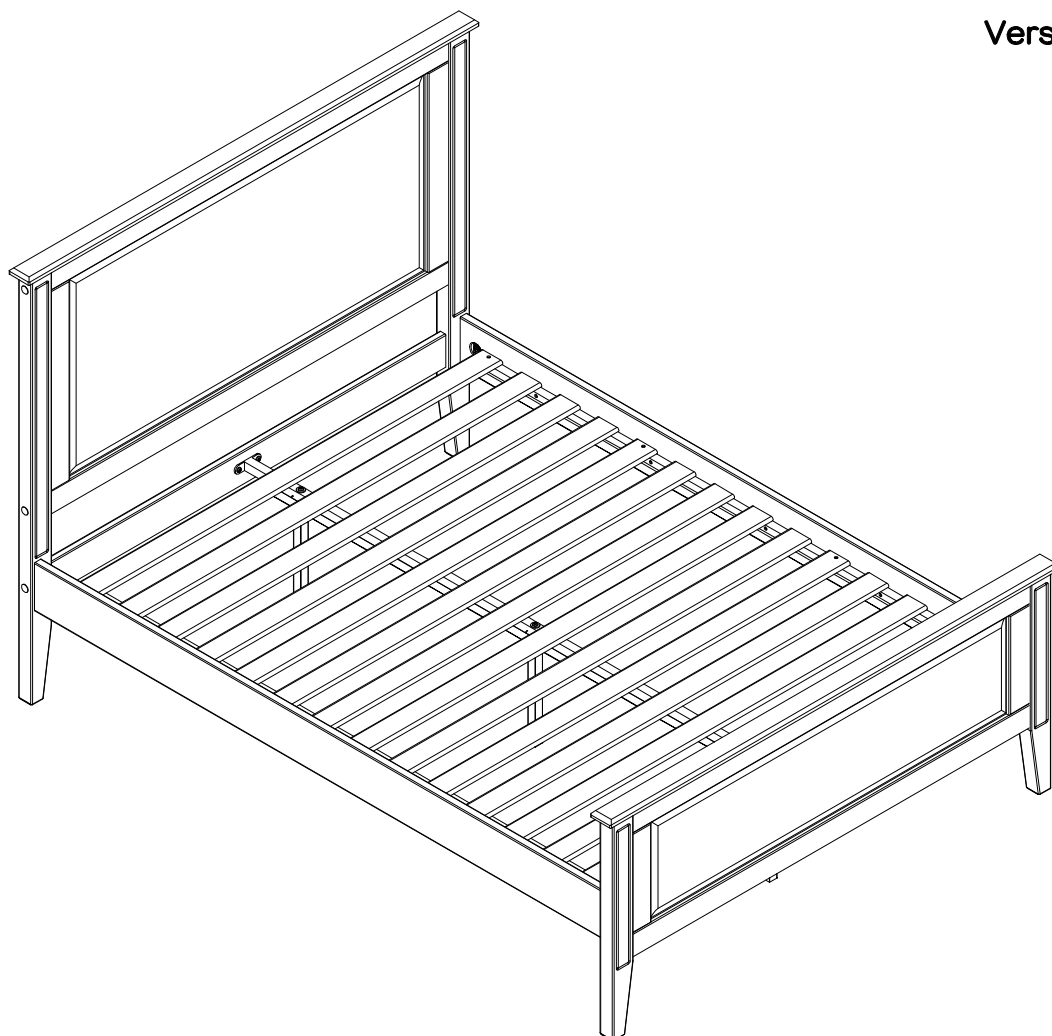


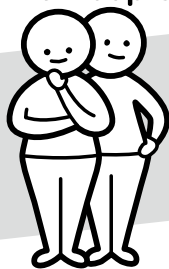


**Fantastic
Furniture**

Version 1.0



Two People



Required

Torkay

Bed Queen White Walnut

fantasticfurniture.com.au

Looks like you've found your Fantastic!

We're thrilled you've chosen Fantastic Furniture
to help create a home you'll love!



Fantastic Furniture

Love it? Share it!

Fantastic buy! Share how it looks at home on Instagram for
your chance to win a \$250 Fantastic Furniture Gift Card!

@fantasticfurniture

Assembly checklist



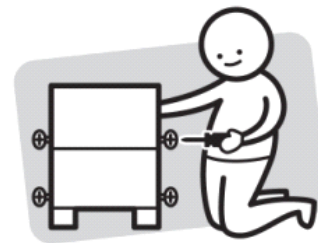
Read through the instructions carefully before you begin.



Make sure you have all the required tools. Never use power tools unless instructed.



Identify and lay out all of the components before you begin assembly.



Unless instructed, do not fully tighten screws until the item is fully assembled.

Useful Information

- ! Never use power tools unless specifically instructed. They can damage your components or hardware if used incorrectly.
- ! The most common mistakes made during assembly are using the wrong hardware or getting components back to front.
- ! Always use a soft surface (such as carpet or cardboard) when assembling your product to avoid scratching or damaging the surface of the product.
- ! Bulky items such as wardrobes and bunk bed should be assembled in the room they will be used in as they may not fit through a door once assembled.
- ! Never use any glue until you are certain that the parts belong together.
- ! Periodically check and re-tighten all fasteners. Check the product care label or website for product care instructions.
- ! If you are having any difficulties assembling your product, missing any hardware or components please visit our website Help Centre for further assistance.
- ! Please see page 2 for any safety requirements or weight restrictions.

What you Need

To assemble the product



Other Tools You Need:
Phillips Head Screwdriver
Soft Headed Mallet

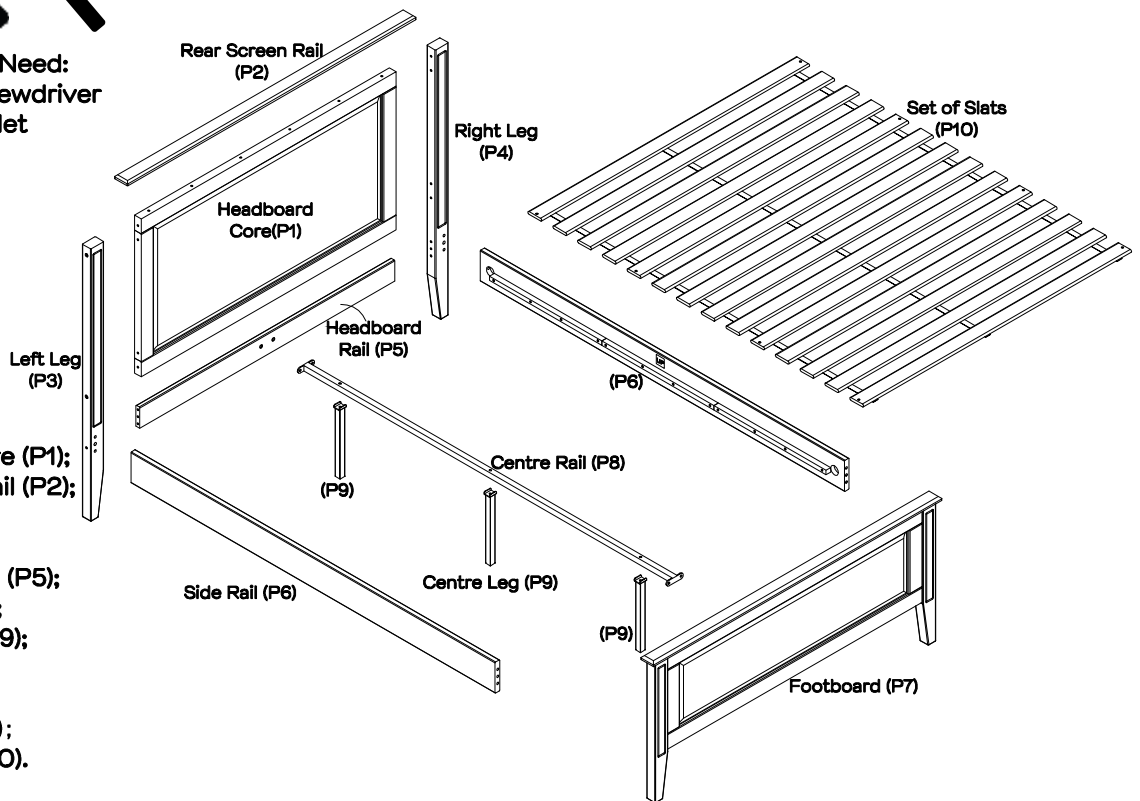
Part List

Carton 1:

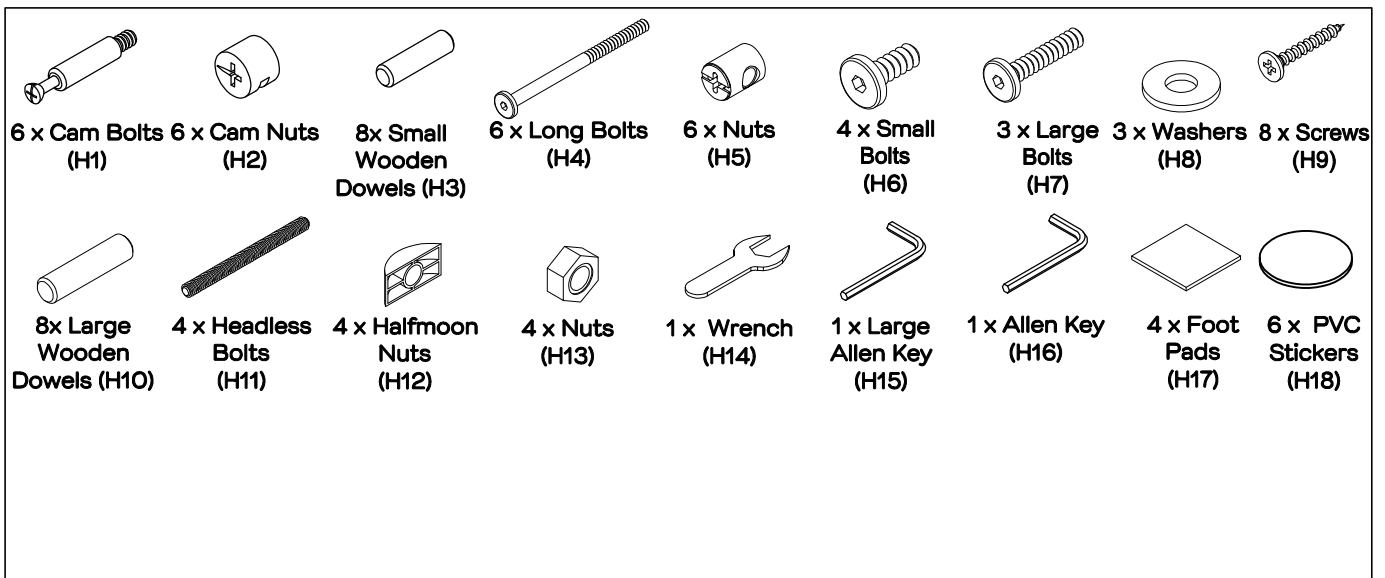
- 1 x Headboard Core (P1);
- 1 x Rear Screen Rail (P2);
- 1 x Left Leg (P3);
- 1 x Right Leg (P4);
- 1 x Headboard Rail (P5);
- 1 x Footboard (P7);
- 3 x Centre Legs (P9);

Carton 2:

- 2 x Side Rails (P6);
- 1 x Centre Rail (P8);
- 1 x Set of Slats (P10).

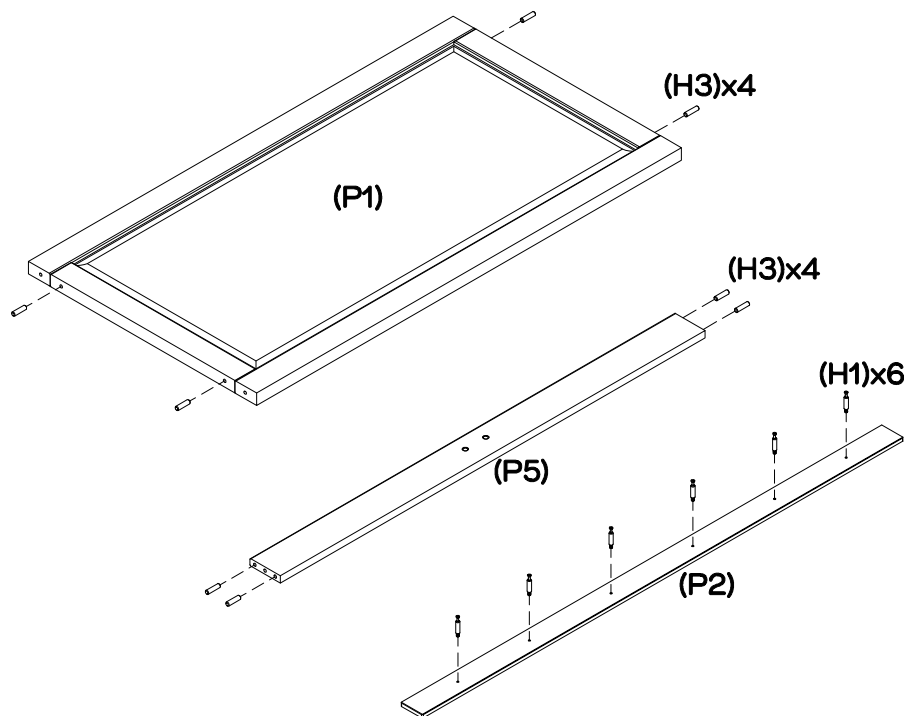


Hardware Pack



Step 1

You will need:	
	
6 x Cam Bolts (H1)	Phillips Head Screwdriver
	
8 x Small Wooden Dowels (H3)	Soft Headed Mallet

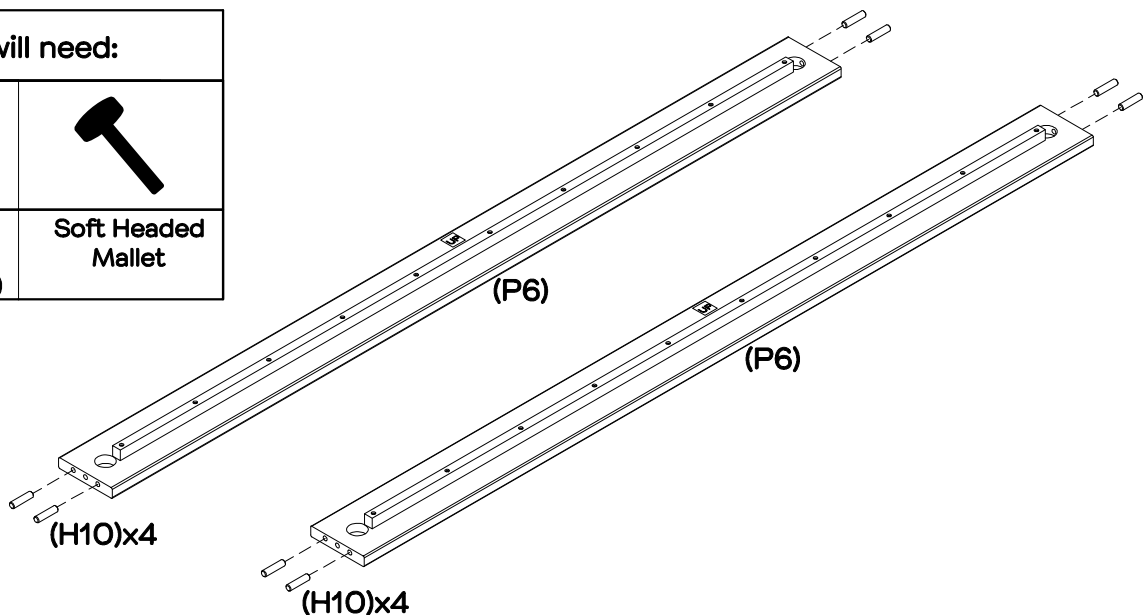


Insert 8 x small wooden dowels (H3) into the headboard core (P1) and headboard rail (P5) as shown.

Attach 6 x cam bolts (H1) to rear screen rail (P2), tightening with a phillips head screwdriver.




Step 2

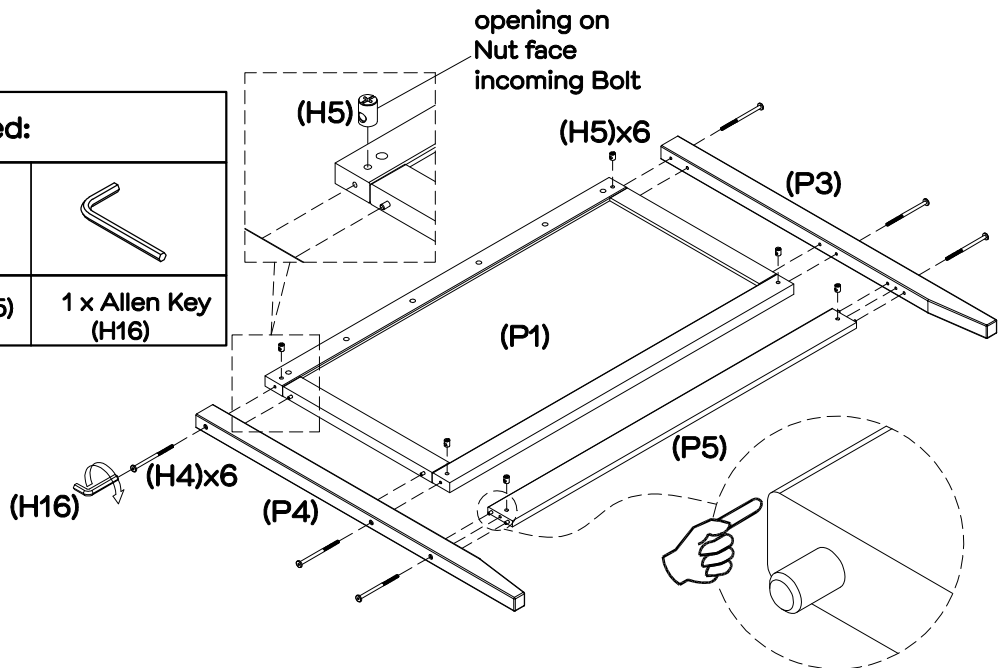
You will need:	
	
8 x Large Wooden Dowels (H10)	Soft Headed Mallet



Insert 8 x large wooden dowels (H10) into the Side Rail (P6) as shown.


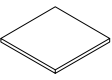
Step 3

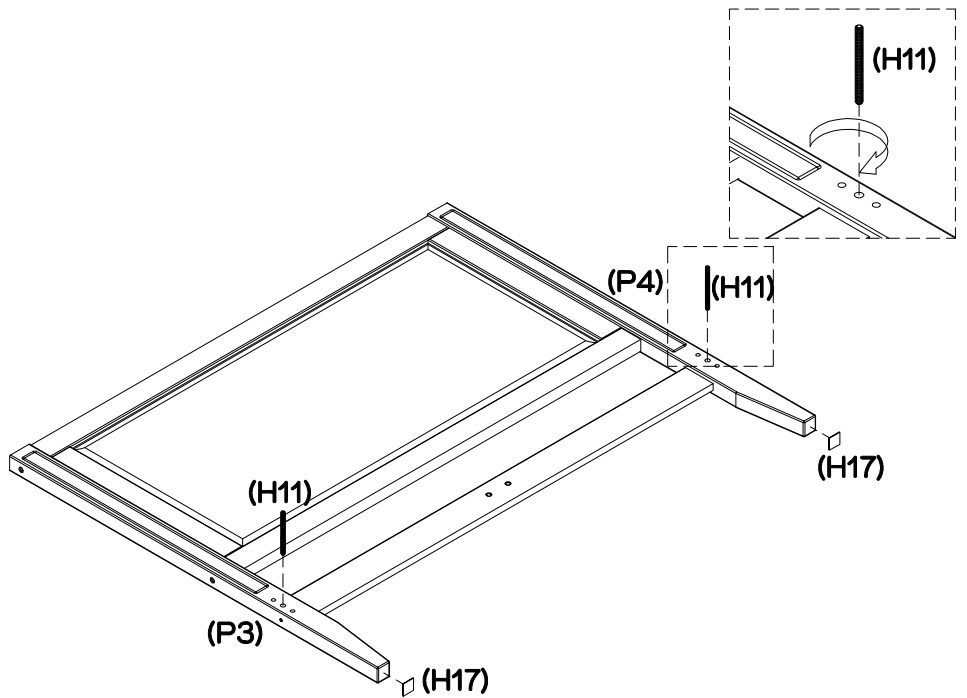
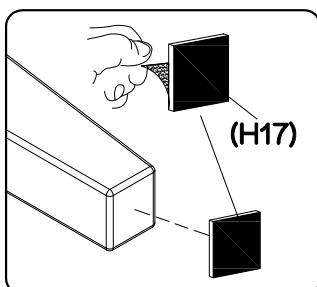
You will need:		
		
6 x Long Bolts (H4)	6 x Nuts (H5)	1 x Allen Key (H16)



Insert 6 x nuts (H5) into the headboard rail (P5) and headboard core (P1) as shown. Ensure the opening of the nut faces incoming bolts. Attach the left leg (P3) and right leg (P4) to the headboard core (P1) and headboard rail (P6) by inserting the 6 x long bolts (H4) into the nuts (H5). Tighten the bolts by turning clockwise using allen key (H16).

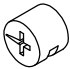

Step 4

You will need:	
	
2 x Headless Bolts (H11)	2 x Foot Pad (H17)

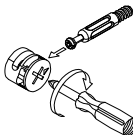


Fix 2 x headless bolts (H11) to left leg (P3) and right leg (P4), turn clockwise to lock in position. Attach 2 x foot pads (H17) to left leg (P3) and right leg (P4).

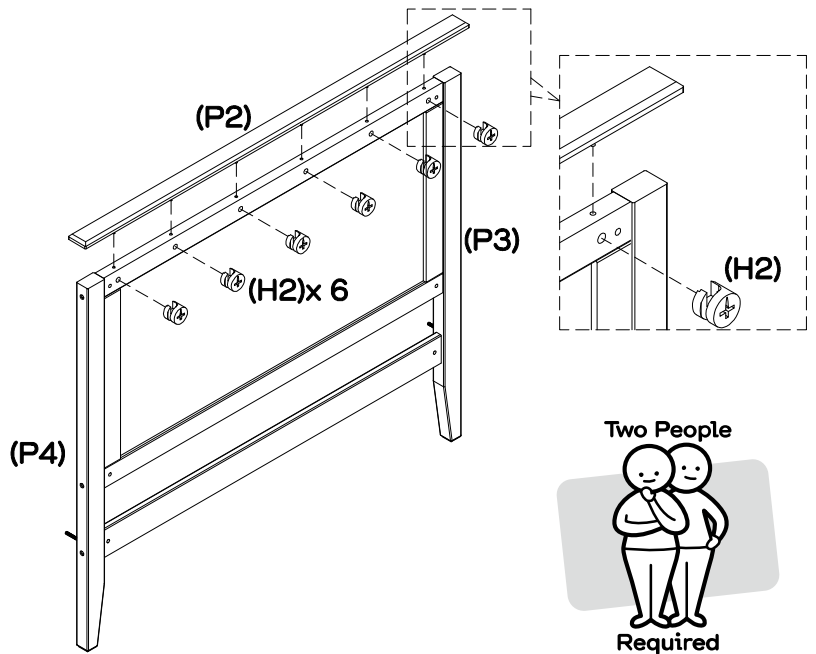
Step 5

You will need:	
	
6 x Cam Nuts (H2)	Phillips Head Screwdriver

This is how a cam nut works.....


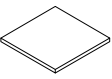


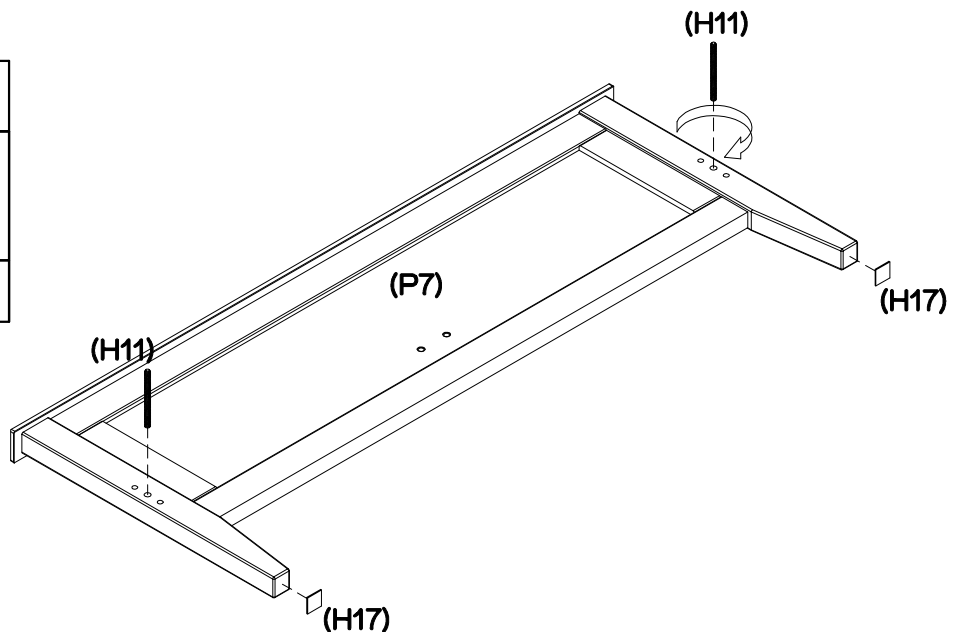
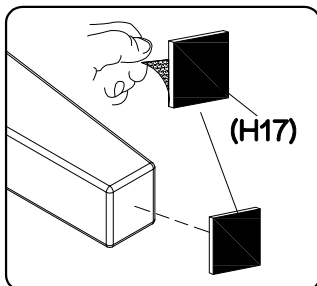
The head of the cam bolt goes into the open mouth of the cam nut. You then turn the cam nut so it tightens over the bolt.



Insert 6 x cam nuts (H2) into headboard rail (P1), ensuring the opening of the cam nut faces incoming bolts.
 Attach rear screen rail (P2) to headboard core (P1) as shown and tighten the cam nuts (H2) by turning clockwise with a phillips head screwdriver.

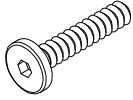
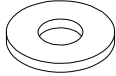

Step 6

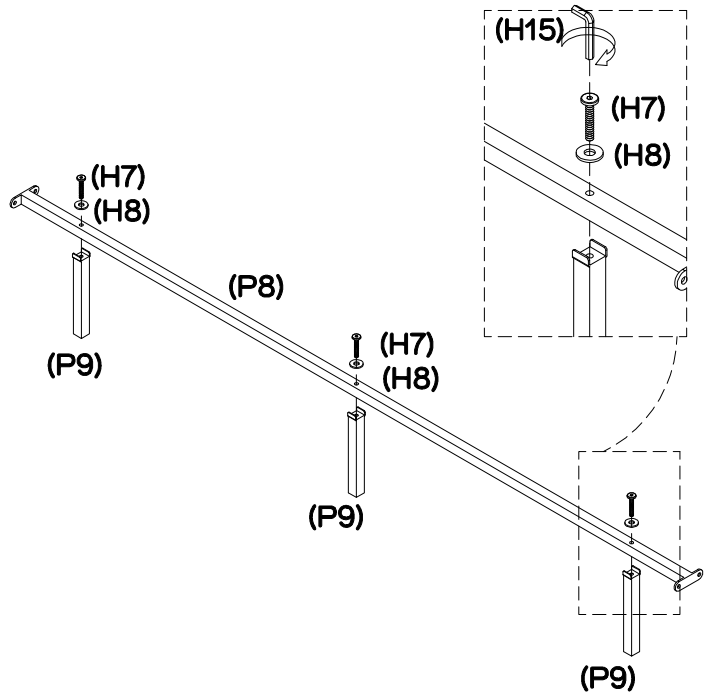
You will need:	
	
2 x Headless Bolts (H11)	2 x Foot Pad (H17)



Fix 2 x headless bolts (H11) to leg, turn clockwise to lock in position.
 Attach 2 x foot pads (H17) to leg.

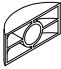

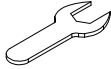
Step 7

You will need:		
		
3 x Large Bolts (H7)	3 x Washers (H8)	1 x Large Allen Key (H15)

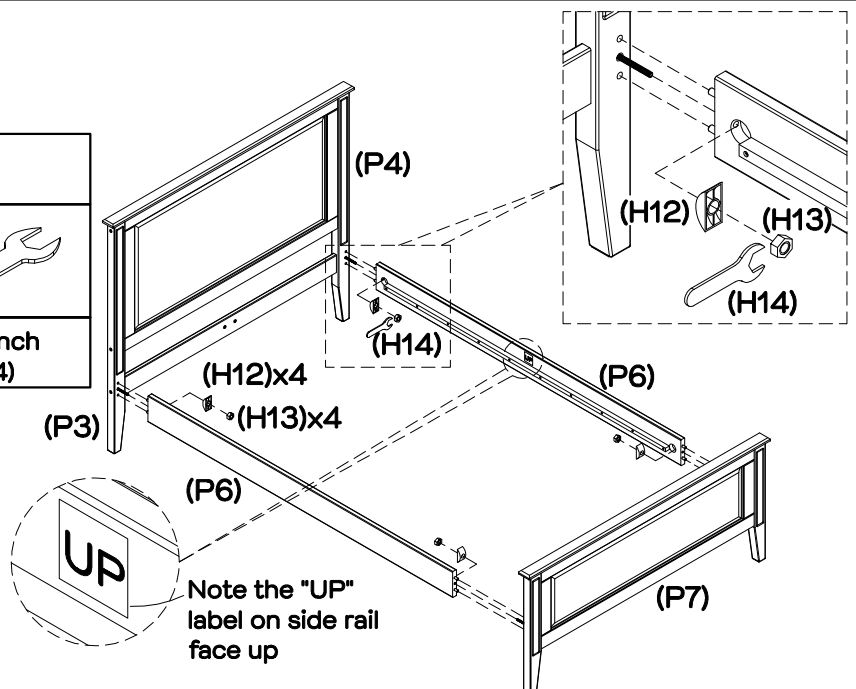
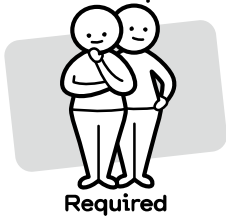


Attach 3 x centre legs (P9) to the centre rail (P8) using 3 x washers (H8) and 3 x large bolts (H7). Tighten the bolts by turning clockwise using large allen key (H15).

Step 8

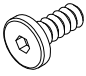
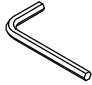
You will need:		
		
4 x Halfmoon Nuts (H12)	4 x Nuts (H13)	1 x Wrench (H14)

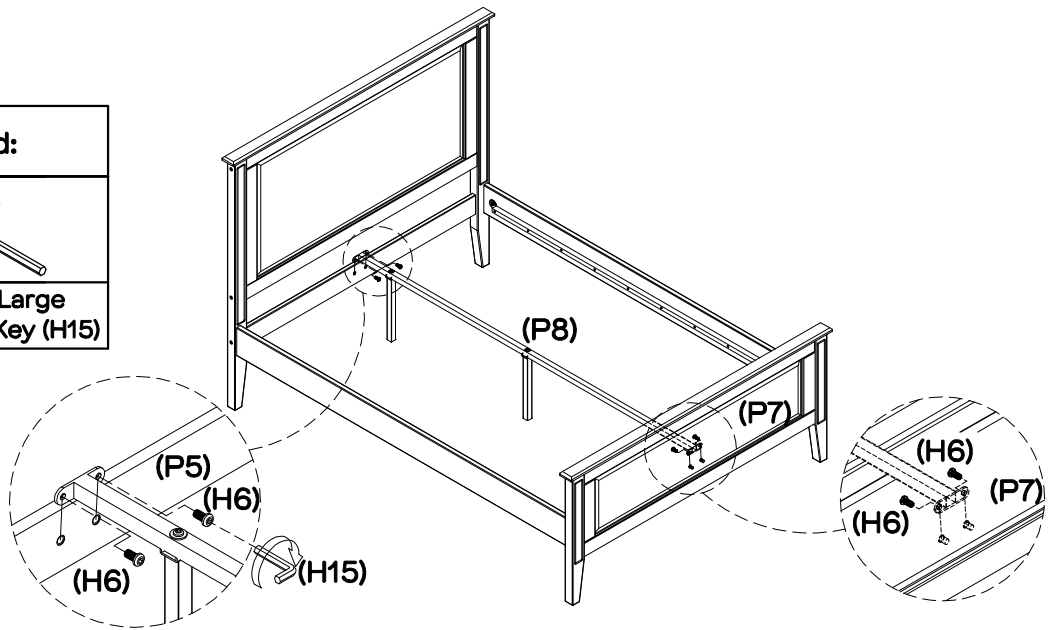
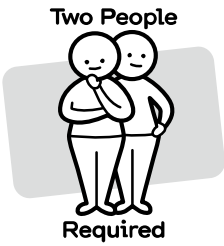
Two People



With assistance, attach left leg (P3) and footboard (P7) to the side rail (P6), insert 2 x halfmoon nuts (H12) and 2 x nuts (H13) into side rail (P6) as shown. Use the wrench (H14) to turn the nuts (H13) clockwise to fix. Repeat process for the other 1 x side rail (P6).

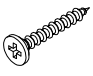

Step 9

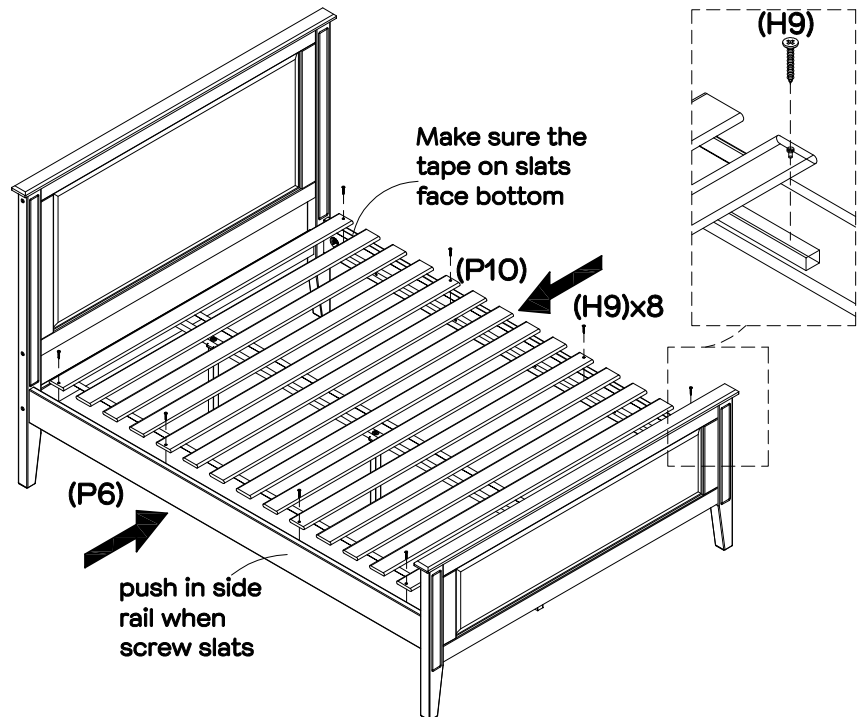
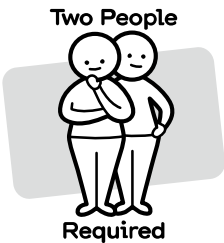
You will need:	
	
4 x Small Bolts (H6)	1 x Large Allen Key (H15)



With assistance, attach the centre rail (P8) to the headboard rail (P5) and footboard (P7) using 4 x small bolts (H6) tightening by turning clockwise using large allen key (H15). You may now fully tighten the bolts attaching the side rails (P6) to the left leg and right leg (P3, P4) and footboard (P7).

Step 10

You will need:	
	
8 x Screws (H9)	Phillips Head Screwdriver



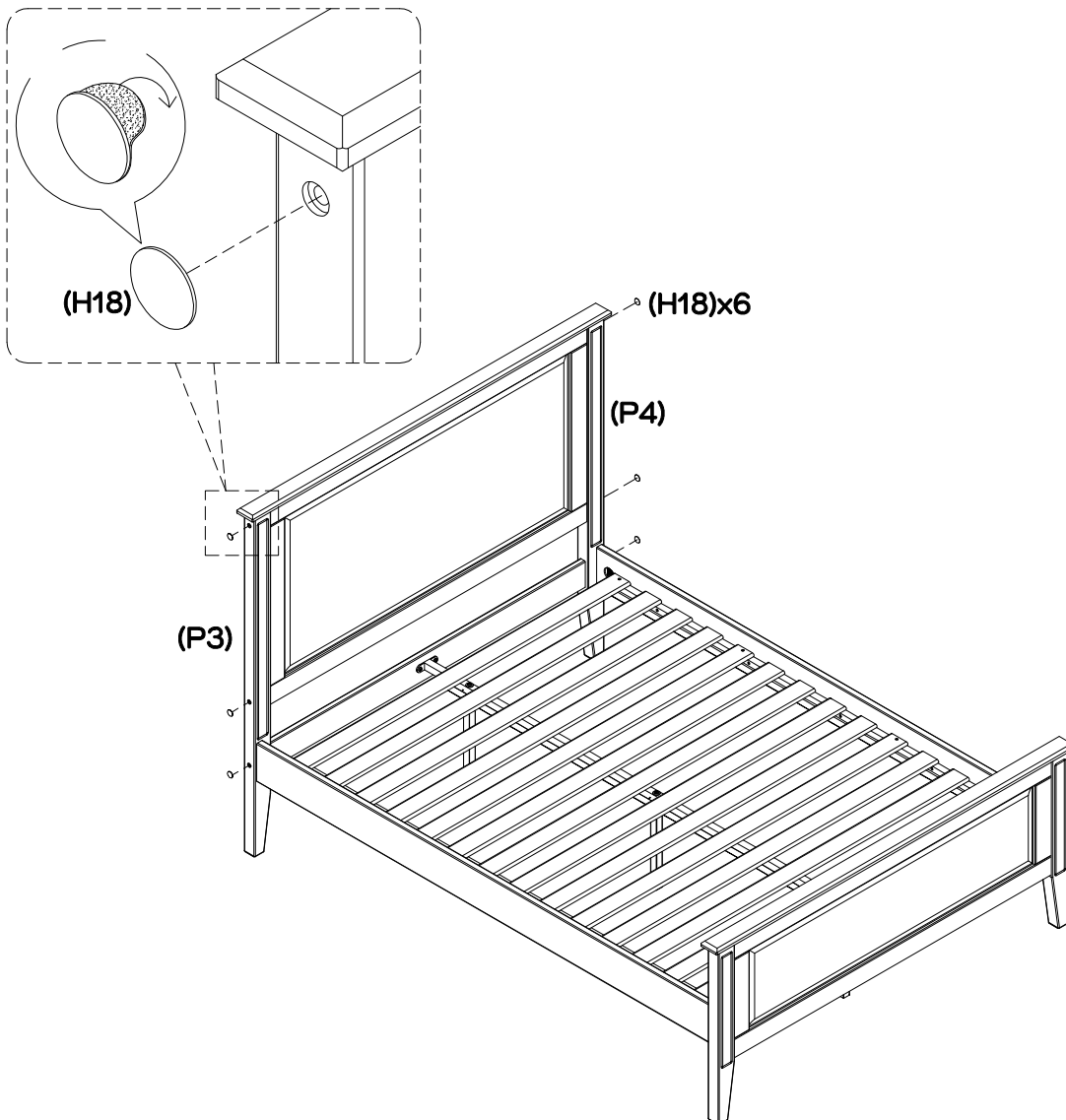
With assistance, lay down the set of slats (P10) onto the bed frame. Attach the slats (P10) to the 2 x side rails (P6) using 8 x screws (H9), tightening with a phillips head screwdriver.

Step 11

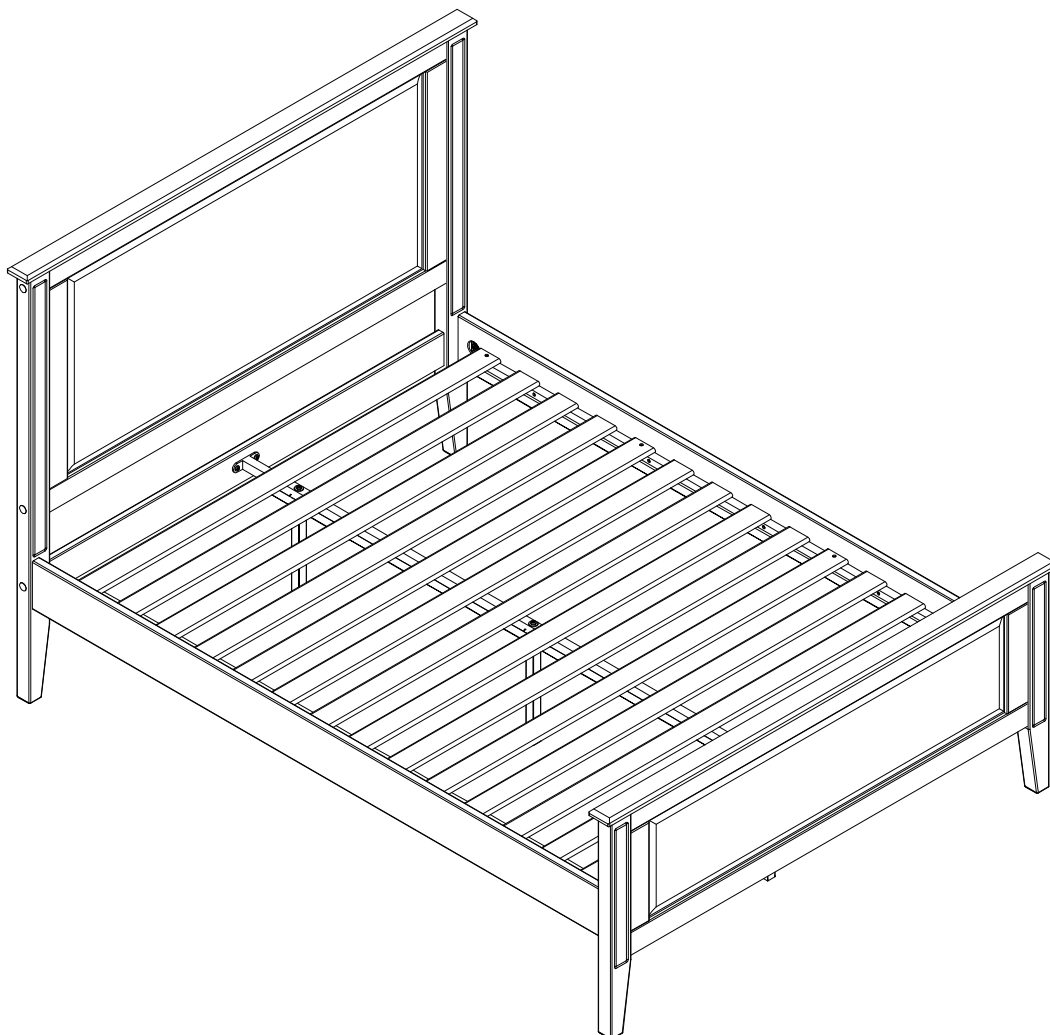
You will need:



6 x PVC
Stickers (H18)



Attach 6 x PVC stickers (H18) to left leg (P3) and right leg (P4).



Job Complete!

In the interest of our environment please dispose
of all packing thoughtfully.