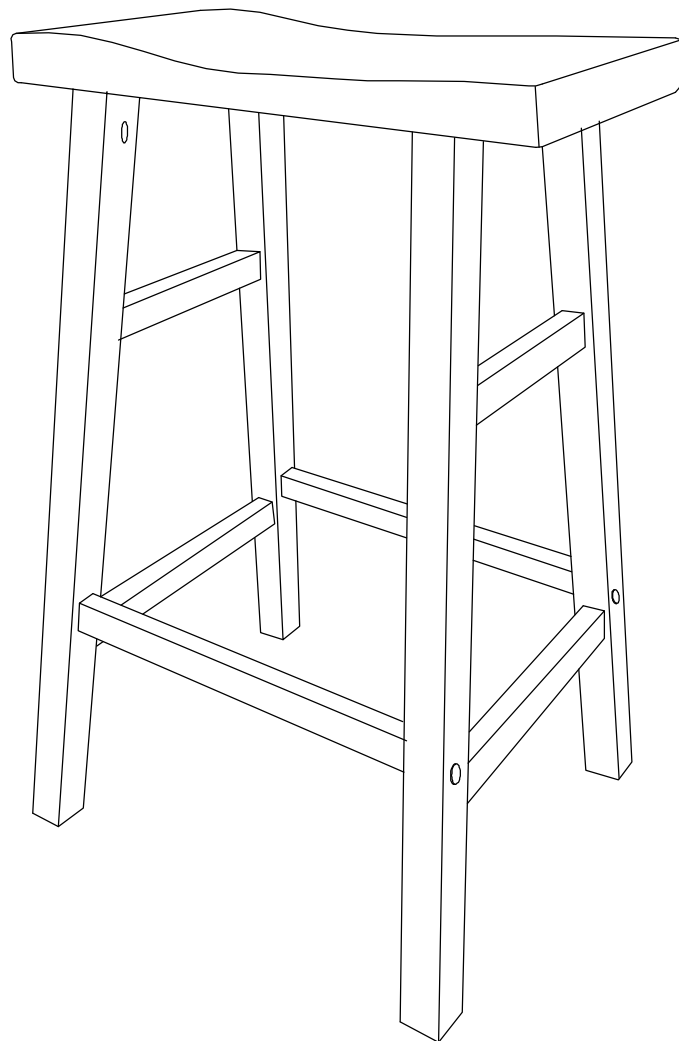




Version 1.0



KYOTO

BAR STOOL 1 STR

www.fantasticfurniture.com.au

CAUTION:

Do not stand on, or use this product as a step ladder.
Use this product for seating one person at a time.
This product should be checked periodically to ensure all
components are secure and all hardware is tight.

RECOMMENDED WEIGHT CAPACITY 120 KG

Enjoy
Your purchase from
Australia's Best Value furniture



Assembly checklist



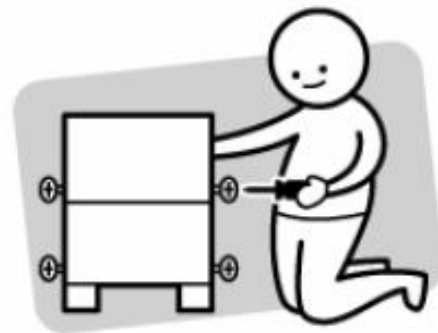
Read through the instructions carefully before you begin.



Make sure you have all the required tools. Never use power tools unless instructed.



Identify and lay out all the components before you begin assembly.



Unless instructed, do not fully tighten screws until the item is fully assembled.

Useful Information

! Never use power tools unless specifically instructed. They can damage your components or hardware if used incorrectly.

! The most common mistakes made during assembly are using the wrong hardware or getting components back to front.

! Always use a soft surface (such as carpet or cardboard) when assembling your product to avoid scratching or damaging the surface of the product.

! Bulky items such as wardrobes and bunk beds should be assembled in the room they will be used in as they may not fit through a door once assembled.

! Never use any glue until you are certain that the parts belong together.

! Periodically check and re-tighten all fasteners. Check the product care label or website for product care instructions.

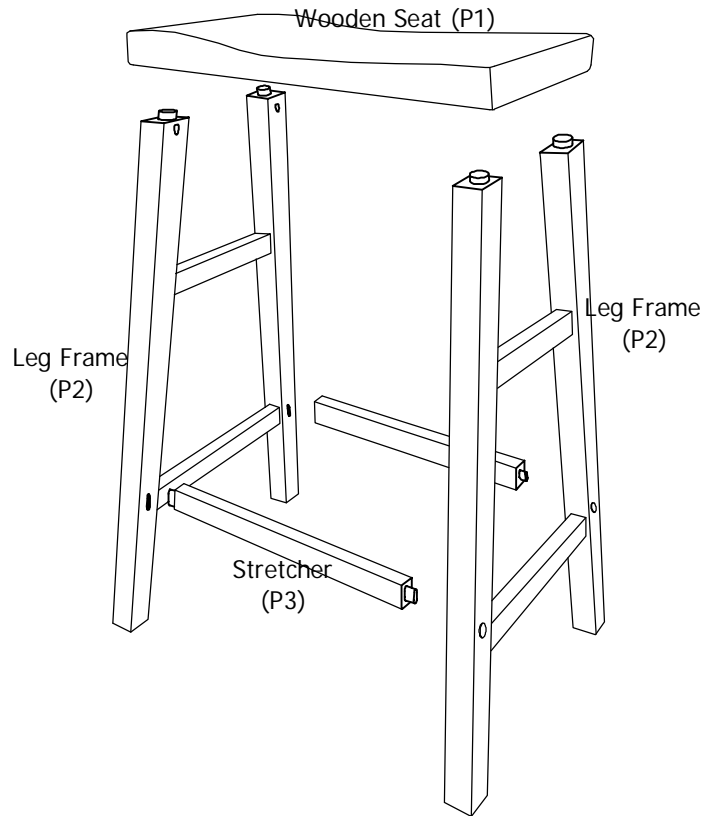
! If you are having any difficulties assembling your product, missing any hardware or components please visit our website Help Centre for further assistance.

What you need to assemble the product



DO NOT USE

Additional Tools Required :
Phillips Head Screwdriver



Part list

Wooden Seat (P1);
Leg Frame (P2);
Stretcher (P3);

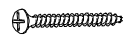
Box 1 Hardware Pack.



1 x Allen Key
(H1)



4 x 35mm Wood Screw
(H2)





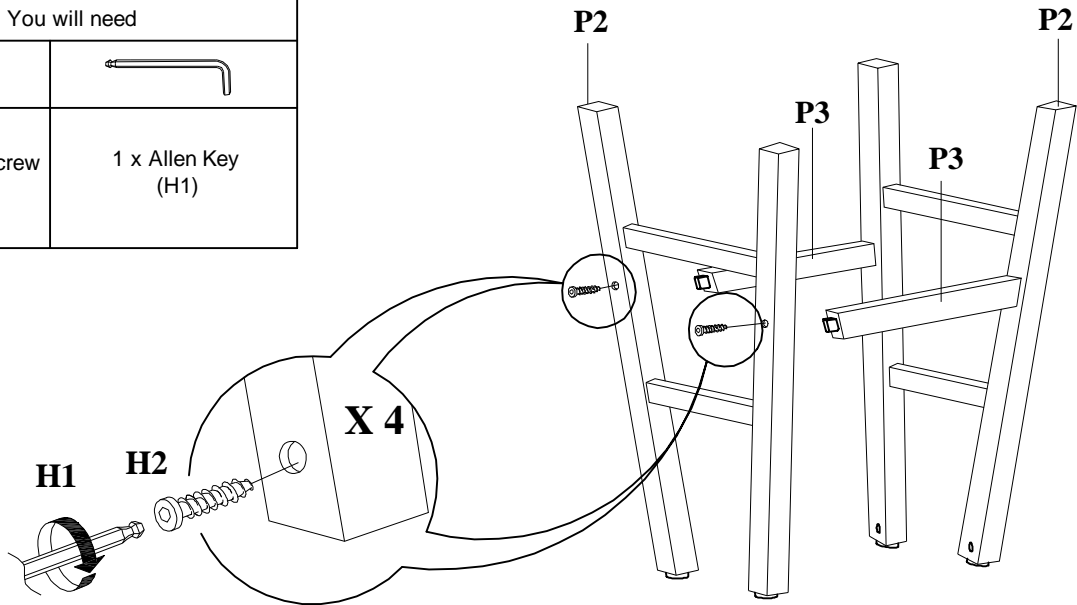
4 x 38mm Screw
(H3)



4 x Wood Button
(H4)

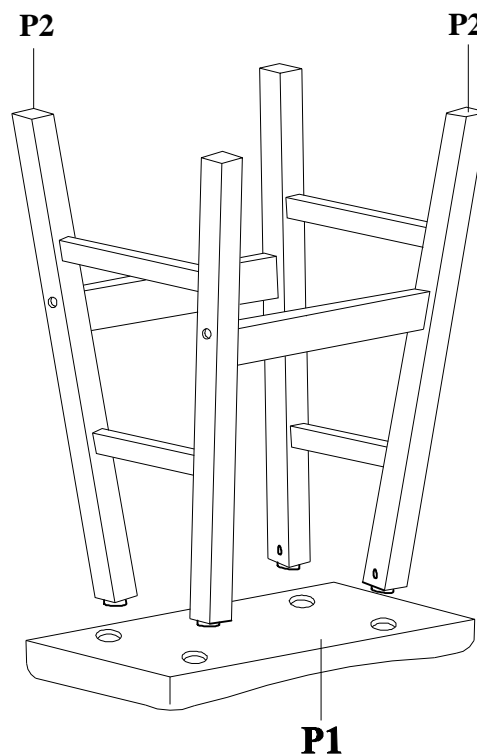
Step 1

You will need	
	
4 x 35mm Wood Screw (H2)	1 x Allen Key (H1)



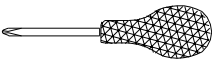

Attach Stretcher (P3) to Leg Frame (P2) using 4 x 35mm Wood Screw (H2).
DO NOT FULLY TIGHTEN ANY BOLTS OR SCREWS UNTIL STEP 3

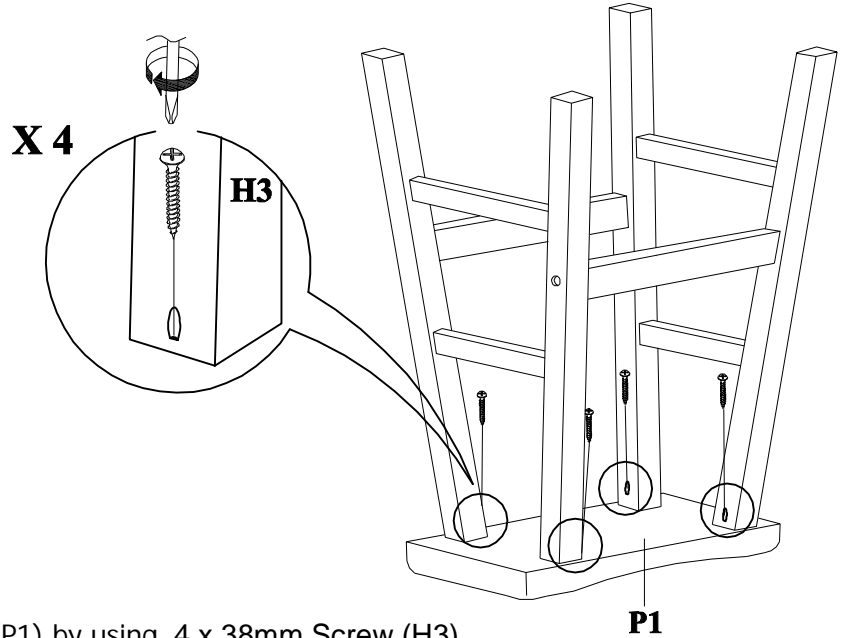
Step 2



Place Leg Frame (P2) on to Wooden Seat (P1) .


Step 3

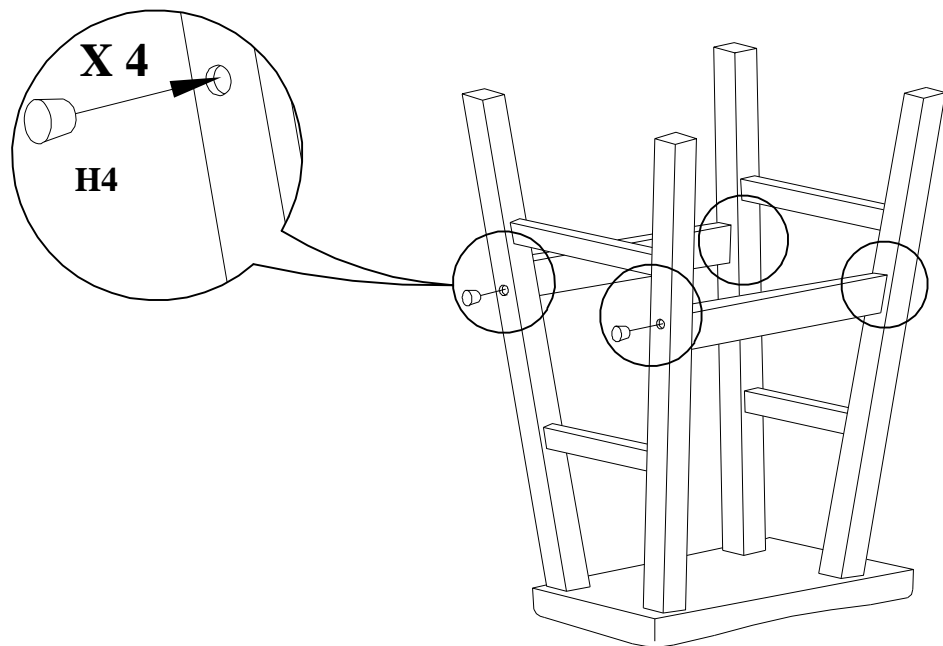
You will need	
	
Philips Head Screwdriver	4 x 38mm Screw (H3)



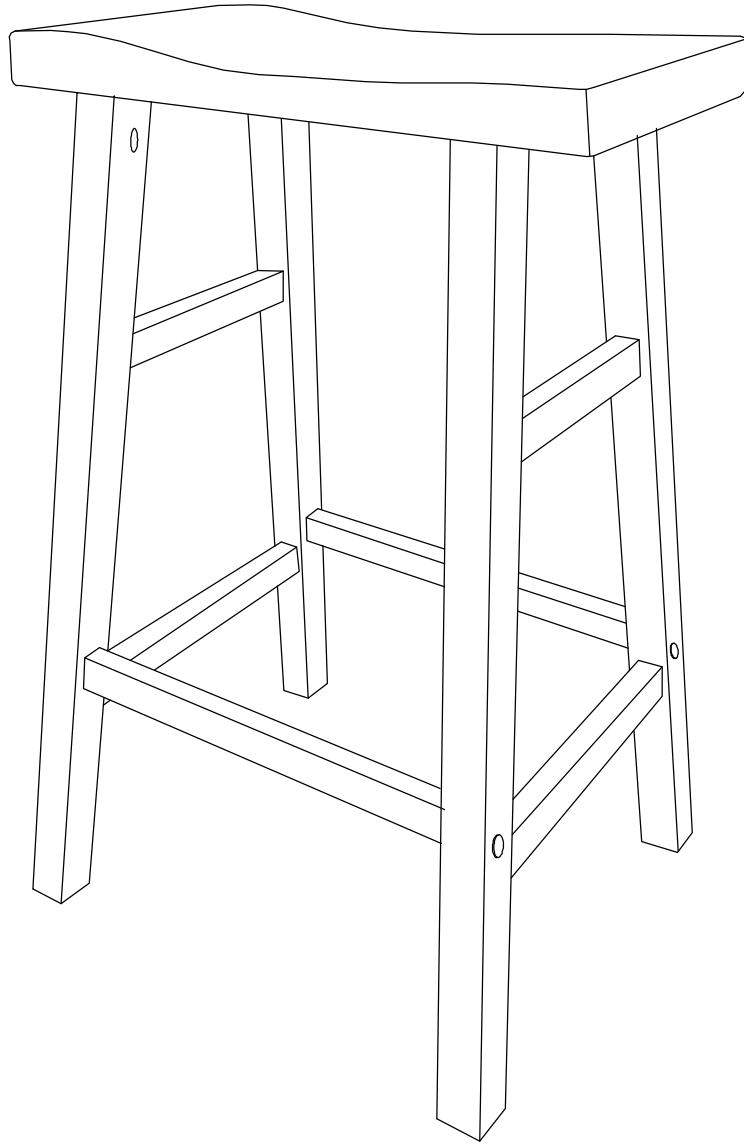
Fix Leg Frame (P2) to Wooden Seat (P1), by using 4 x 38mm Screw (H3).
Tighten all screws and bolts.

Step 4

You will need

4 x Wood Button (H4)



Attach 4 x Wood Button (H4) to Leg Frame (P2) by pushing into holes firmly.



Job Complete!

In the interest of our environment please dispose of all packaging thoughtfully.