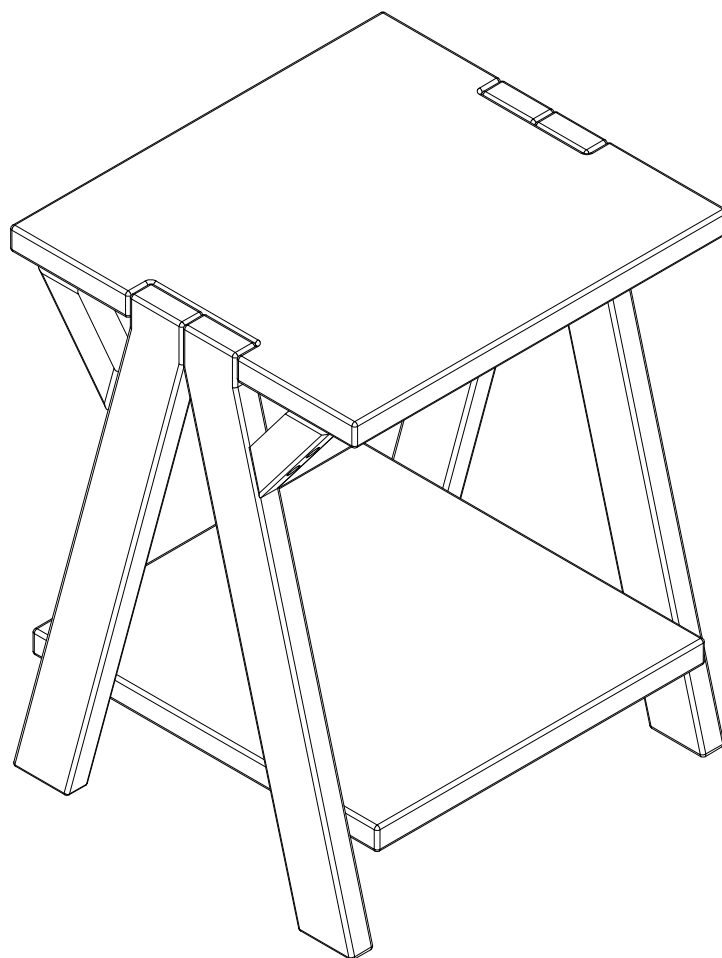


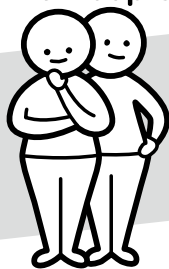


**Fantastic
Furniture**

Version 1.0



Two People



Required

House

Bedside

fantasticfurniture.com.au

Looks like you've found your Fantastic!

We're thrilled you've chosen Fantastic Furniture
to help create a home you'll love!



Fantastic Furniture

Love it? Share it!

Fantastic buy! Share how it looks at home on Instagram for
your chance to win a \$250 Fantastic Furniture Gift Card!

@fantasticfurniture

Assembly checklist



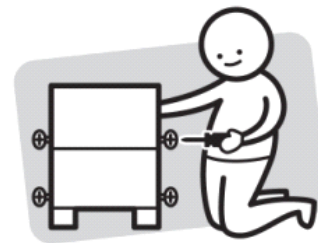
Read through the instructions carefully before you begin.



Make sure you have all the required tools. Never use power tools unless instructed.



Identify and lay out all of the components before you begin assembly.



Unless instructed, do not fully tighten screws until the item is fully assembled.

Useful Information

- ! Never use power tools unless specifically instructed. They can damage your components or hardware if used incorrectly.
- ! The most common mistakes made during assembly are using the wrong hardware or getting components back to front.
- ! Always use a soft surface (such as carpet or cardboard) when assembling your product to avoid scratching or damaging the surface of the product.
- ! Bulky items such as wardrobes and bunk bed should be assembled in the room they will be used as they may not fit through a door once assembled.
- ! Never use any glue until you are certain that the parts belong together.
- ! Periodically check and re-tighten all fasteners. Check the product care label or website for product care instructions.
- ! If you are having any difficulties assembling your product, missing any hardware or components please visit our website Help Centre for further assistance.
- ! Please see page 2 for any safety requirements or weight restrictions.

What you Need

To assemble the product



DO NOT USE



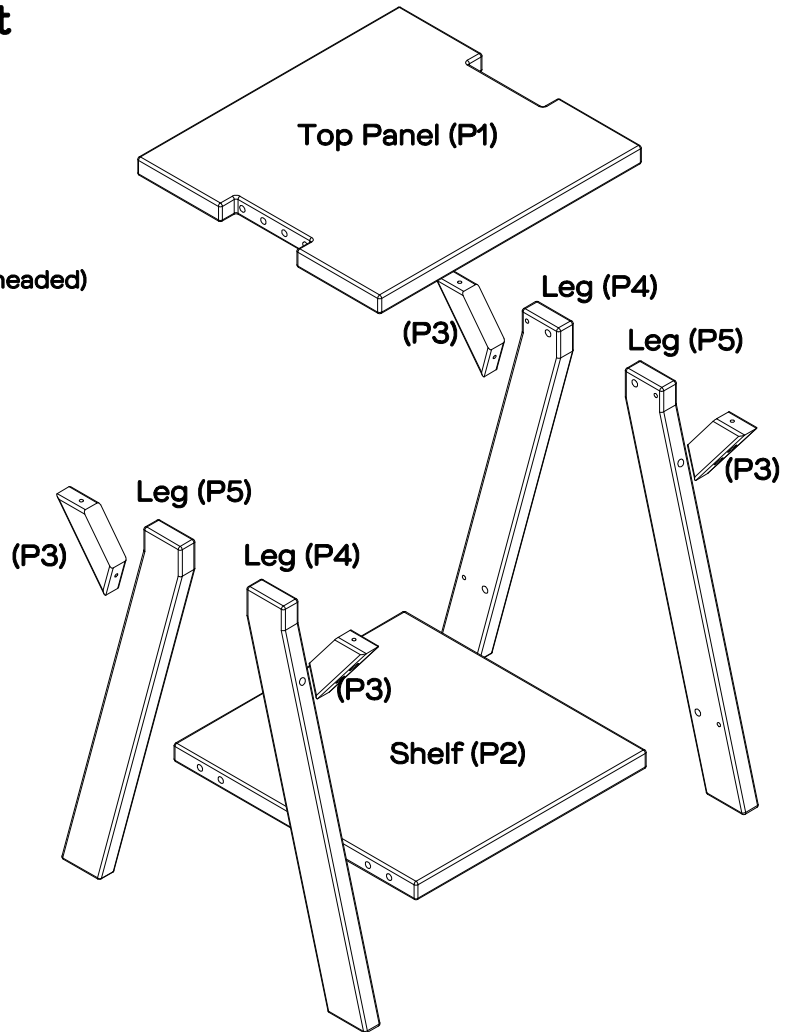
Other tools you need:

Phillips head screwdriver; mallet (soft headed)

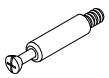
Part List

Box 1:

- 1 x Top Panel (P1);
- 1 x Shelf (P2);
- 4 x Support Blocks (P3);
- 2 x Legs (P4);
- 2 x Legs (P5);



Hardware pack



8 x Cam
Bolts
(H1)



8 x Cam
Nuts
(H2)



8 x Bolts
(H3)



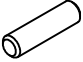



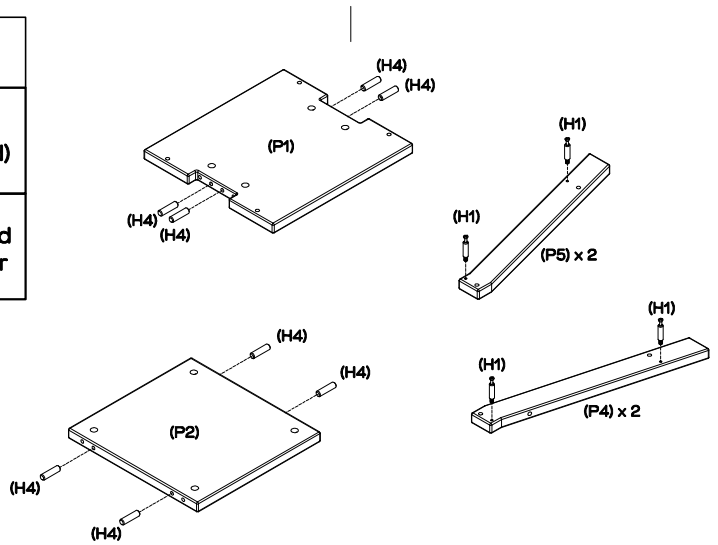
8 x Wooden
Dowels
(H4)



1 x Allen
Key
(H5)

Step 1



You will need:			
	8 x Cam Bolts (H1)		Mallet (soft headed)
	8 x Wooden Dowels (H4)		Phillips head screwdriver

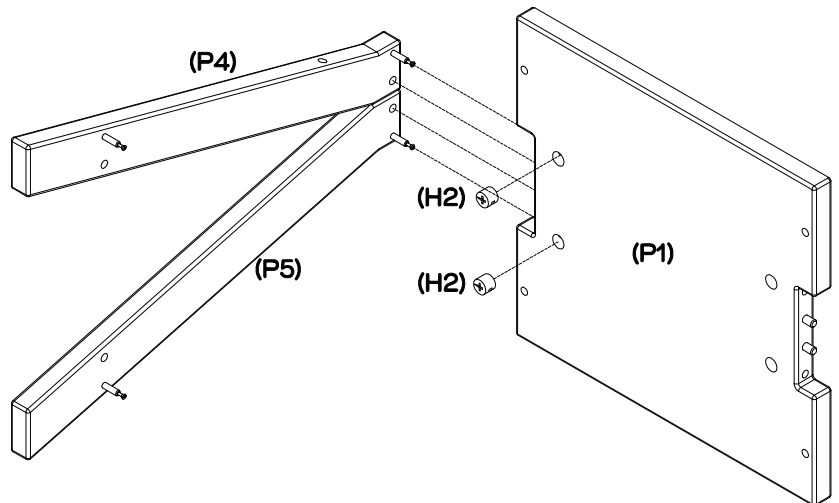
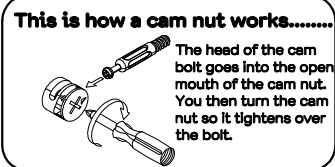


Insert 8 x wooden dowels (H4) into top panel (P1) and shelf (P2) as shown by hand or using a soft headed mallet.

Fix 8 x cam bolts (H1) to 2 x legs (P4) and 2 x legs (P5) by tightening with a phillips head screwdriver.

Step 2



You will need:	
	
2 x Cam Nuts (H2)	Phillips head screwdriver



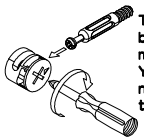
Insert 2 x cam nuts (H2) into top panel (P1). Rotate the cam nuts (H2) so the arrow is pointing towards the incoming cam bolt (H1).

To fix top panel (P1) to legs (P4 & P5), use a phillips head screwdriver to tighten the cam nuts (H2).

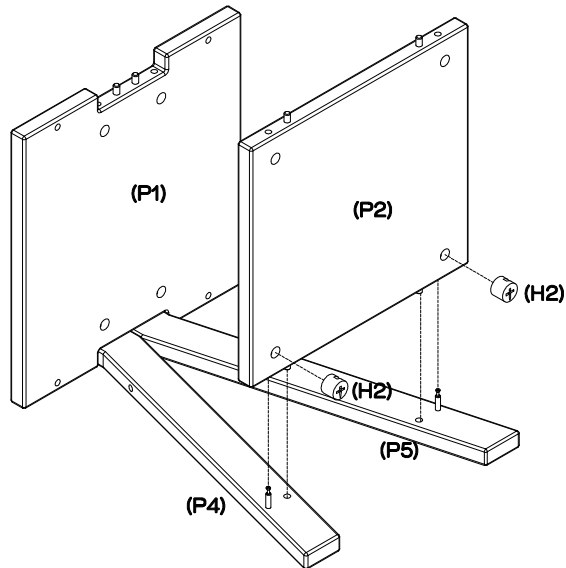
Step 3

You will need:	
	
2 x Cam Nuts (H2)	Phillips head screwdriver

This is how a cam nut works.....





The head of the cam bolt goes into the open mouth of the cam nut. You then turn the cam nut so it tightens over the bolt.

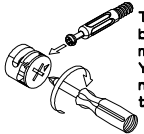


Insert 2 x cam nuts (H2) into shelf (P2). Rotate the cam nuts (H2) so the arrow is pointing towards the incoming cam bolt (H1). To fix shelf (P2) to legs (P4 & P5), use a phillips head screwdriver to tighten the cam nuts (H2).

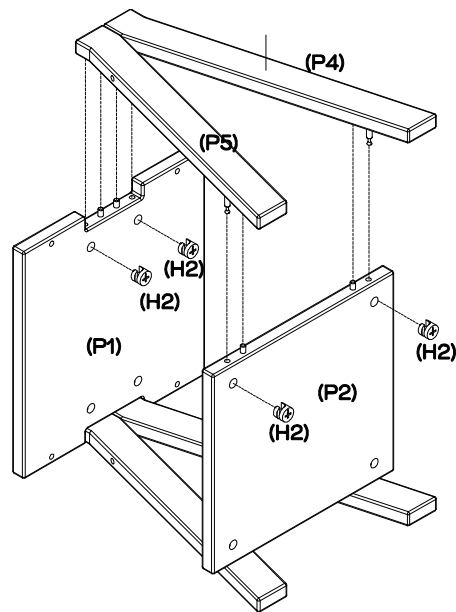
Step 4

You will need:	
	
4 x Cam Nuts (H2)	Phillips head screwdriver

This is how a cam nut works.....





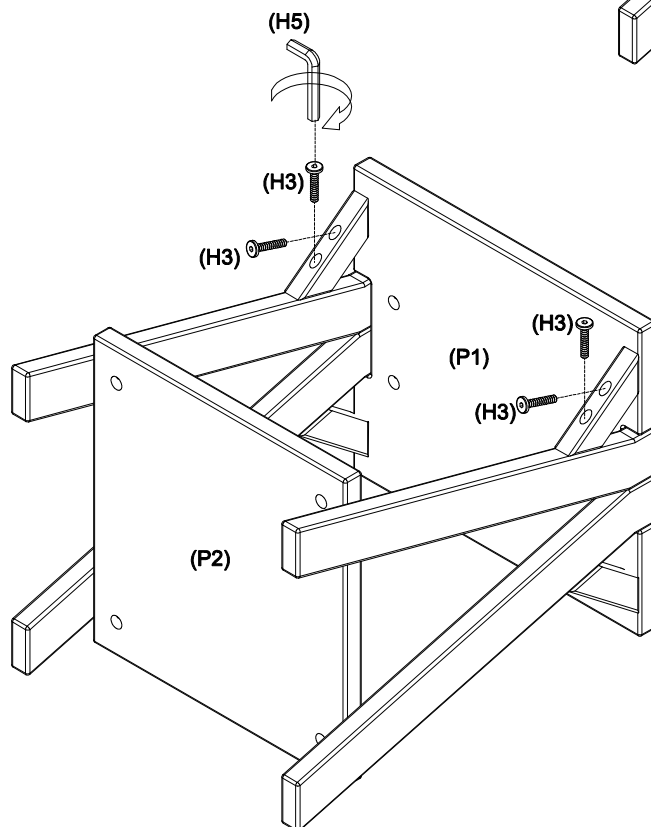
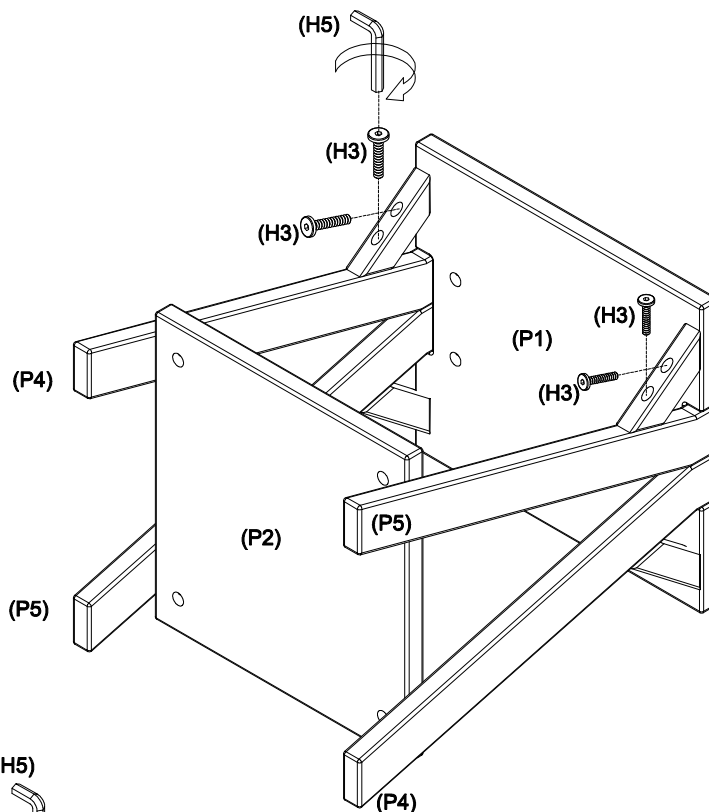
The head of the cam bolt goes into the open mouth of the cam nut. You then turn the cam nut so it tightens over the bolt.



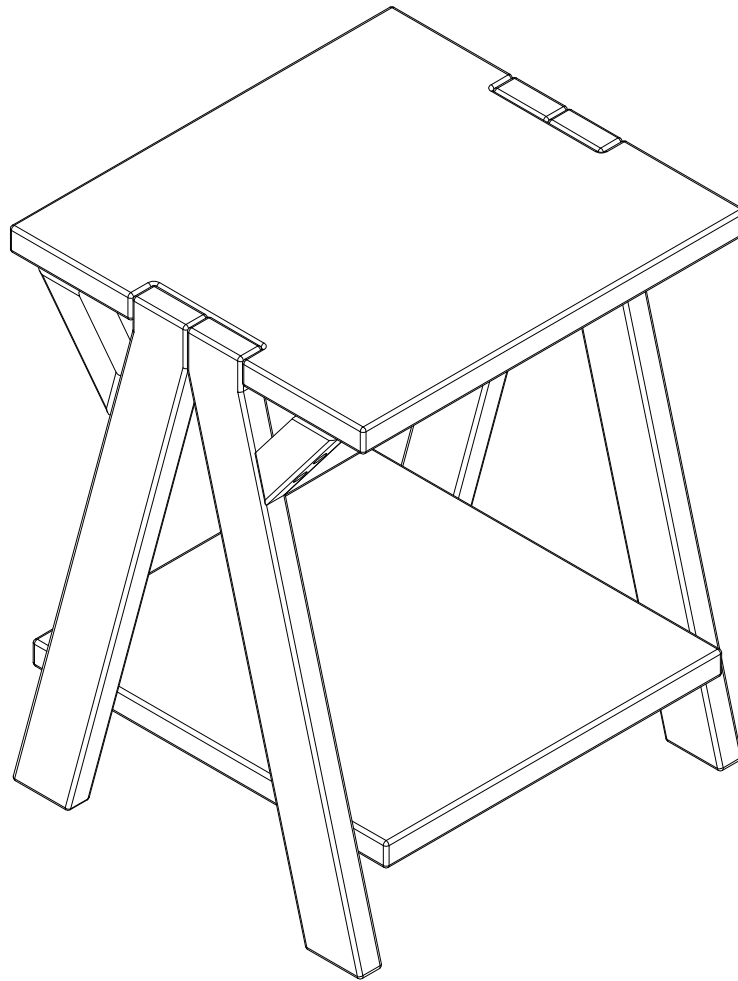
Insert 4 x cam nuts (H2) into top panel (P1) and shelf (P2). Rotate the cam nuts (H2) so the arrows are pointing towards the incoming cam bolts (H1). To fix top panel (P1) and shelf (P2) to legs (P4 & P5), use a phillips head screwdriver to tighten the cam nuts (H2).

Step 5

You will need:	
	
8 x Bolts (H1)	1 x Allen Key (H4)



Use 8 x bolts (H3) to fix 4 x support blocks (P3) to the top panel (P1) and legs (P4 & P5) by tightening with a phillips head screwdriver.



Job Complete!

In the interest of our environment please dispose
of all packing thoughtfully.