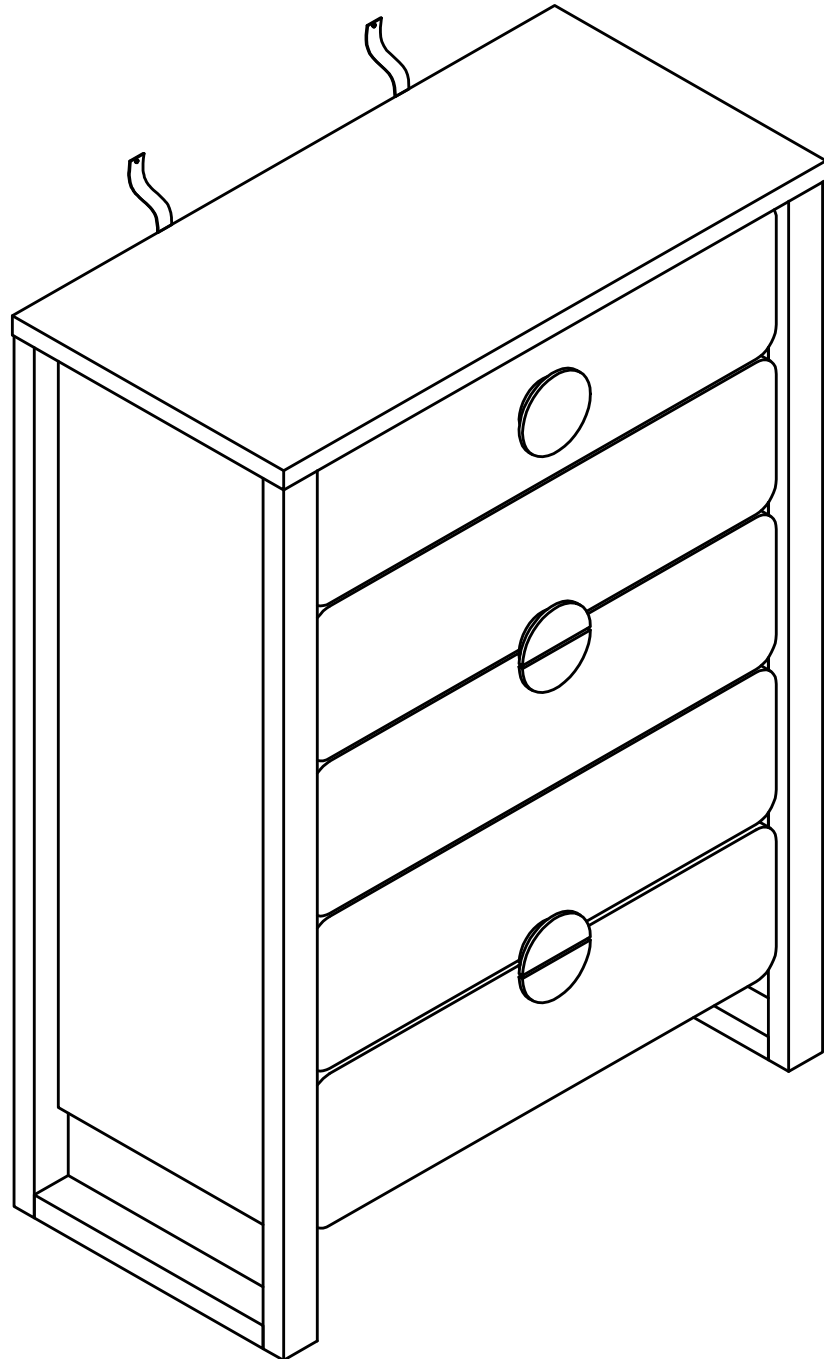


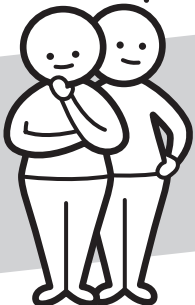


**Fantastic
Furniture**

Version 1.0



Two People



Required

Lunar
Tallboy 5 Drawer
fantasticfurniture.com.au

Secure it!

Reduce the risk of furniture tip-over accidents



WARNING: ENSURE THE WALL STRAP IS ATTACHED TO AVOID SERIOUS INJURY OR DEATH.

To avoid any serious or fatal injury, a wall strap has been provided with this product to prevent toppling. We strongly recommend that this product is permanently fixed to the wall or other suitable surface. Fixing devices are not included since different surface materials require different attachments. Please seek professional advice if you are in doubt of what fixing device to use.

**Recommended weight capacity : 60kg on Top
10kg/Drawer**

To reduce the risk of furniture tipover:

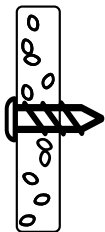


- Do not allow children to stand, climb or hang on furniture. It may topple and cause serious injury or death.
- Do not place toys or other child appealing items on top of this furniture, and place heaviest items towards the bottom of the furniture.



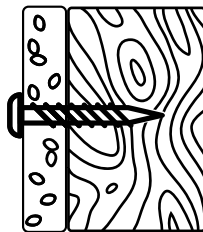
- Do not open more than one drawer at the time.
- Anchoring this product to a wall or other suitable surface is recommended. Check anchors regularly.
- Avoid putting a TV on this product.

Wall attachment guide



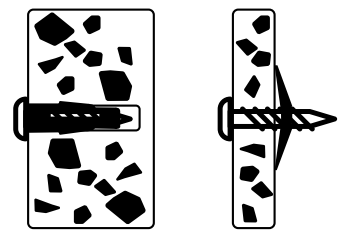
For plasterboard
(without available wood stud)

Securing method:
Self drilling plasterboard anchor.



For plasterboard
(with available wood stud)

Securing method:
Screw inserted directly into stud.



For masonry wall

Securing method:
Solid wall: Plug with screw
Hollow wall: Spring toggle

Please seek professional advice if you are in doubt of what fixing device to use.

Looks like you've found your Fantastic!

We're thrilled you've chosen Fantastic Furniture
to help create a home you'll love!



Fantastic Furniture

Love it? Share it!

Fantastic buy! Share how it looks at home on Instagram for
your chance to win a \$250 Fantastic Furniture Gift Card!

@fantasticfurniture

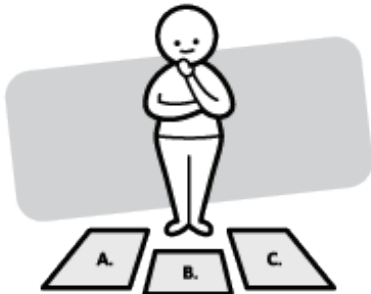
Assembly checklist



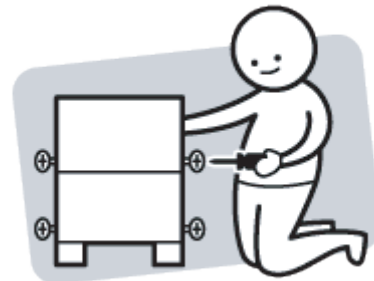
Read through the instructions carefully before you begin.



Make sure you have all the required tools. Never use power tools unless instructed.



Identify and lay out all of the components before you begin assembly.



Unless instructed, do not fully tighten screws until the item is fully assembled.

Useful information

- ! Never use power tools unless specifically instructed. They can damage your components or hardware if used incorrectly.
- ! The most common mistakes made during assembly are using the wrong hardware or getting components back to front.
- ! Always use a soft surface (such as carpet or cardboard) when assembling your product to avoid scratching or damaging the surface of the product.
- ! Bulky items such as wardrobes and bunk beds should be assembled in the room they will be used in as they may not fit through a door once assembled.
- ! Never use any glue until you are certain that the parts belong together.
- ! Periodically check and re-tighten all fasteners. Check the product care label or website for product care instructions.
- ! If you are having any difficulties assembling your product, missing any hardware or components please visit our website Help Centre for further assistance.
- ! Please see page 2 for any safety requirements or weight restrictions.

What you need

to assemble the product



DO NOT USE

Other tools you need

Phillips Head screwdriver; Hammer

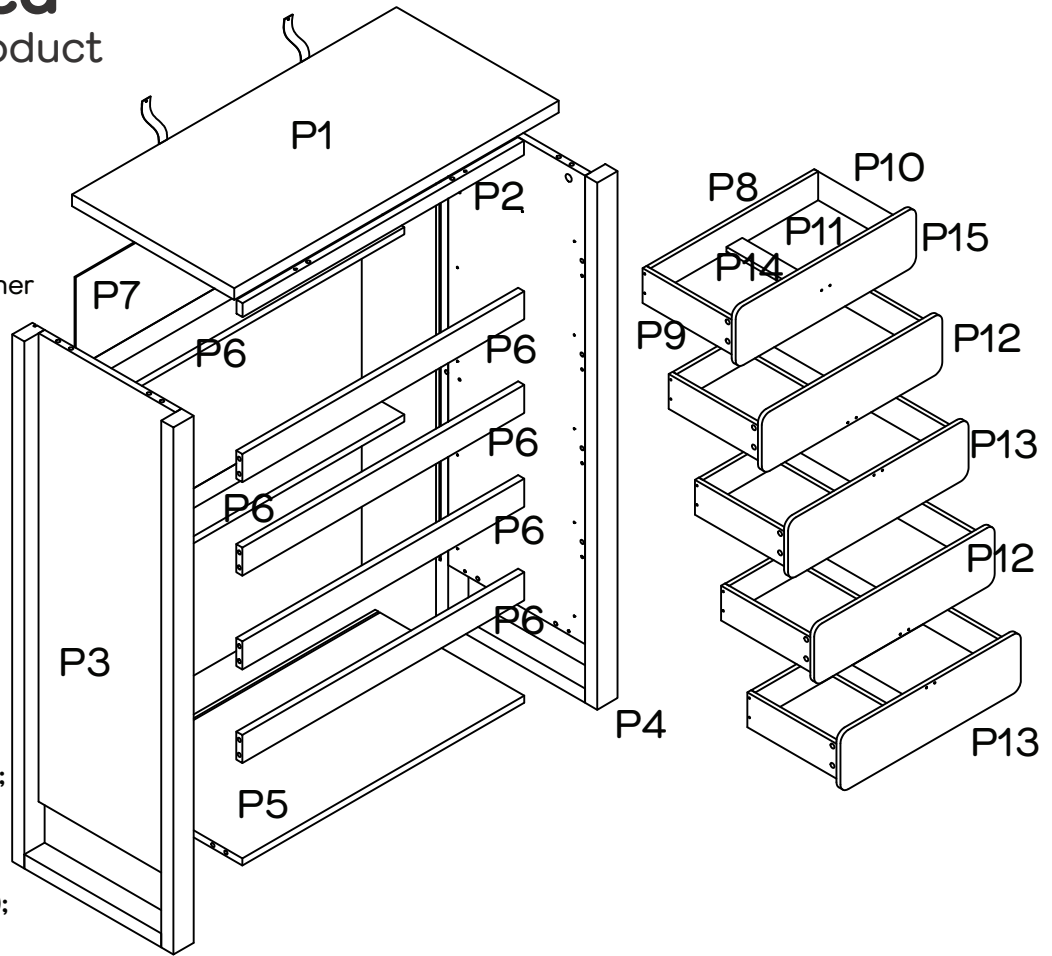
Parts list

Box 1:

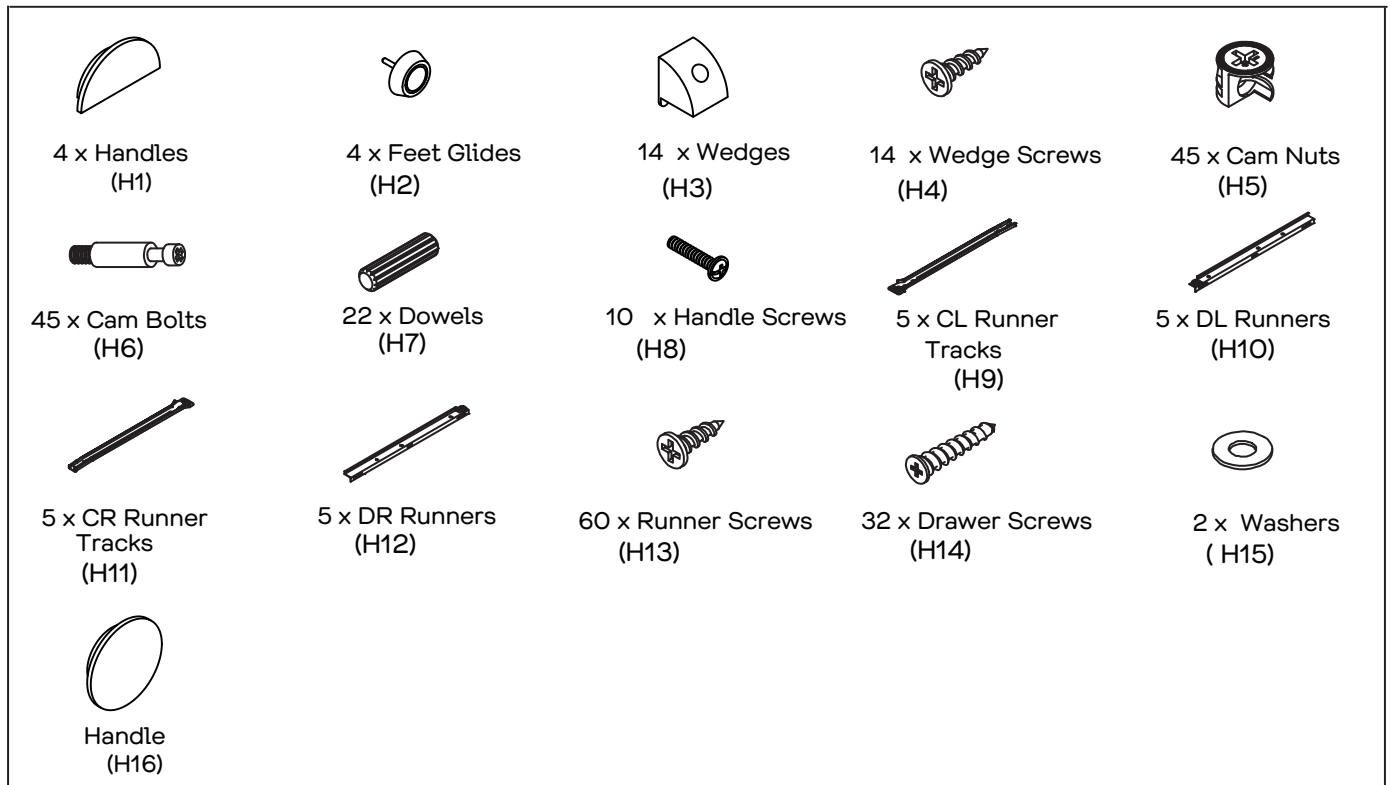
Top Panel (P1);
Support Panel (P2);
Left Side Panel (P3);
Right Side Panel (P4);
Base Panel (P5);
Back Panel (P7);

Box 2:

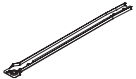



6 x Support Panels (P6);
5 x Drawer Back Panels (P8);
5 x Drawer Side Panels (L) (P9);
5 x Drawer Side Panels (R) (P10);
5 x Drawer Base Panels (P11);
2 x Drawer Front Panels (P12);
2 x Drawer Front Panels (P13);
5 x Drawer Support Panels (P14);
Drawer Front Panel (P15);

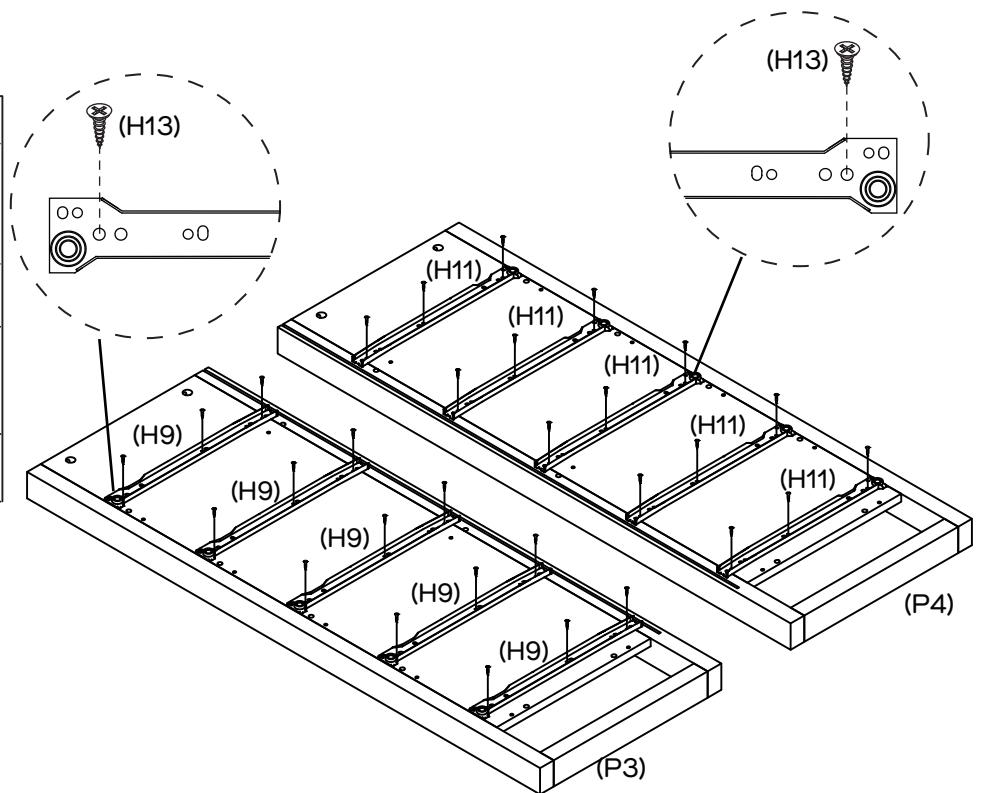


Hardware Pack :



Step 1



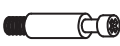


You will need	
	
5 x CL Runner Tracks (H9)	5 x CR Runner Tracks (H11)
	
30 x Runner Screws (H13)	Phillips Head Screwdriver

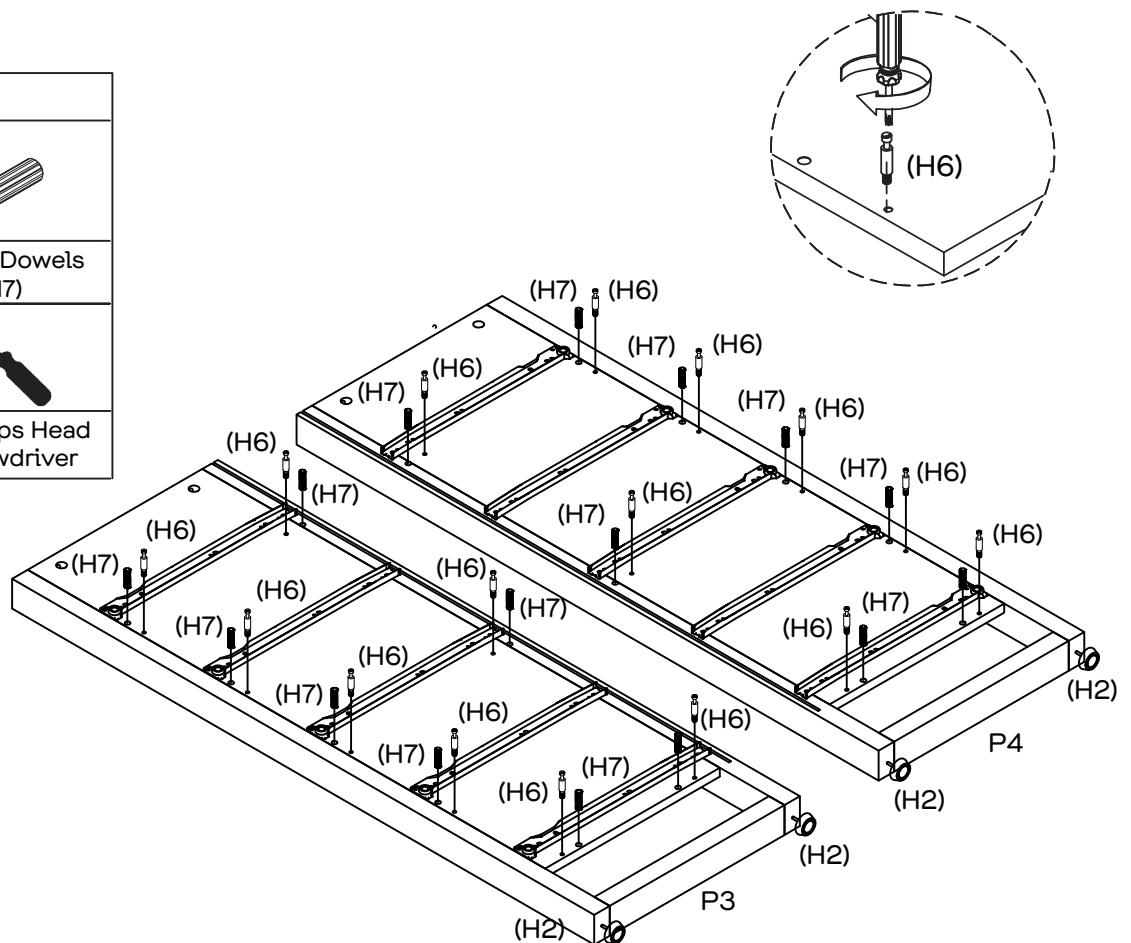


Attach 5 x CL Runner Tracks (H9) to the Left Side Panel (P3) with 15 x Runner Screws (H13), by tightening with a Phillips Head Screwdriver.

Repeat process to attach 5 x CR Runner Tracks (H11) to the Right Side Panel (P4).

Step 2

You will need	
	
4 x Feet Glides (H2)	16 x Dowels (H7)
	
16 x Cam Bolts (H6)	Phillips Head Screwdriver
	
Hammer	

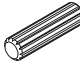




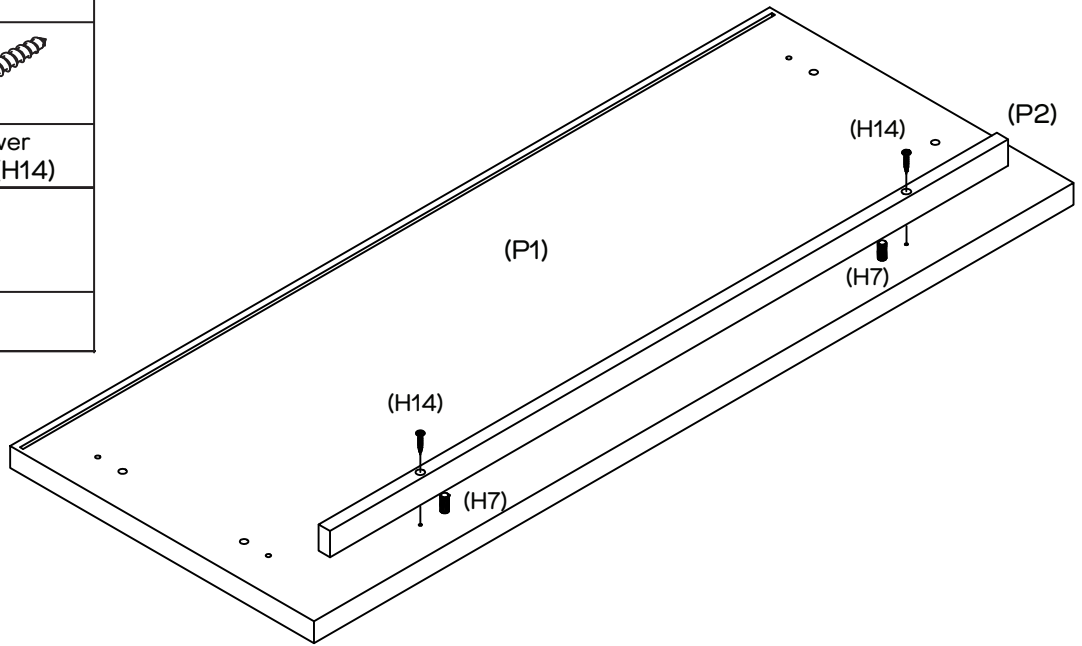
Insert 16 x Cam Bolts (H6) into the Left Side Panel (P3) and Right Side Panel (P4), by tightening with a Phillips Head Screwdriver.

Insert 16 x Dowels (H7) into the Left Side Panel (P4) and Right Side Panel (P4).

Insert 4 x Feet Glides (H2) on to the underside of the legs by gently using a Hammer as shown.

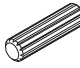
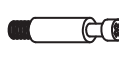

Step 3

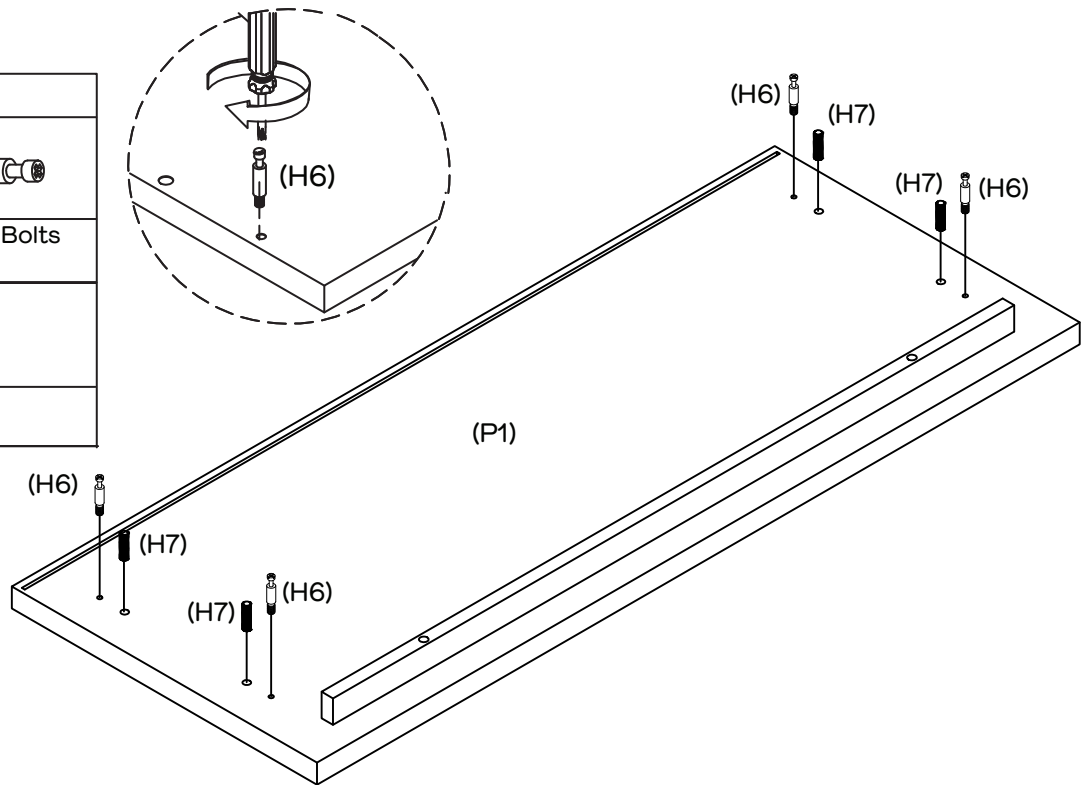
You will need	
	
2 x Dowels (H7)	2 x Drawer Screws (H14)
	
Phillips Head Screwdriver	



Attach Support Panel (P2) to the Top Panel (P1) with 2 x Dowels (H7) and 2 x Drawer Screws (H14), by tightening with the Phillips Head Screwdriver.



Step 4

You will need	
	
4 x Dowels (H7)	4 x Cam Bolts (H6)
	
Phillips Head Screwdriver	



Insert 4 x Dowels (H7) into the Top Panel (P1).
 Insert 4 x Cam Bolts (H6) into the Top Panel (P1), by tightening with a Phillips Head Screwdriver.

Step 5

You will need	
	
8 x Cam Nuts (H5)	Phillips Head Screwdriver

This is how a cam nut works.....

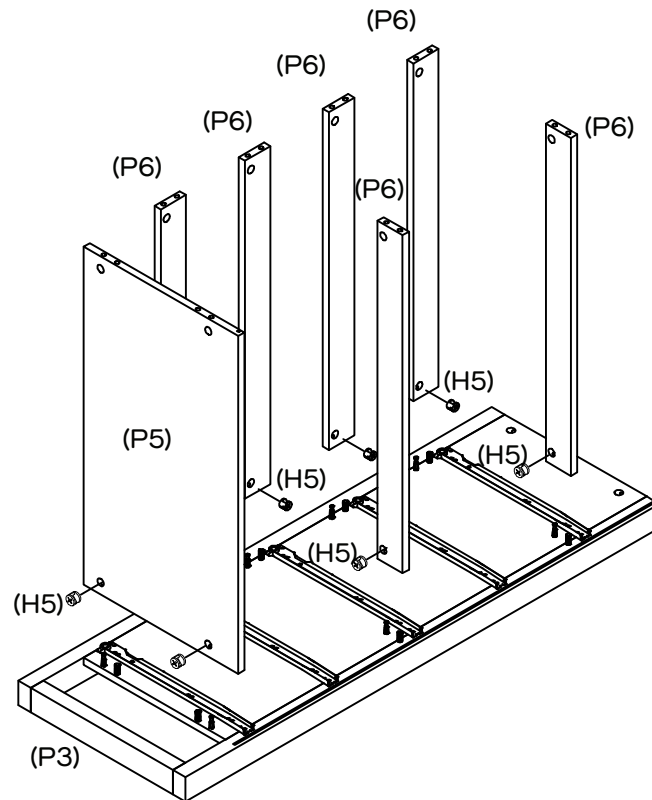


The head of the cam bolt goes into the open mouth of the cam nut. You then turn the cam nut so it tightens over the bolt.

Two People



Required



Insert 8 x Cam Nuts (H5) into the 6 x Support Panels (P6) and Base Panel (P5) as shown. Attach 6 x Support Panels and Base Panel (P5) to the Left Side Panel (P3), by tightening all Cam Nuts with the Phillips Head Screwdriver.

Step 6

You will need	
	
8 x Cam Nuts (H5)	Phillips Head Screwdriver

This is how a cam nut works.....

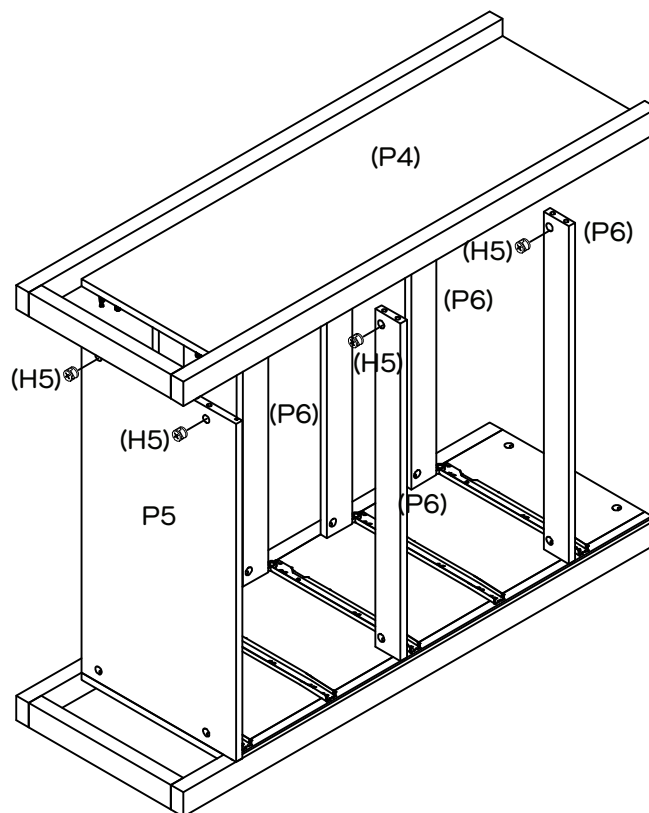


The head of the cam bolt goes into the open mouth of the cam nut. You then turn the cam nut so it tightens over the bolt.

Two People

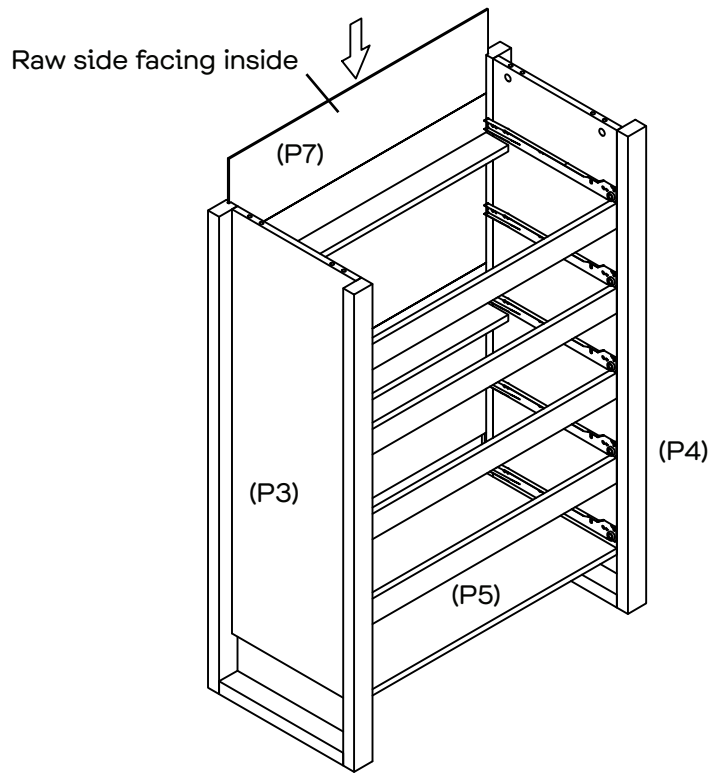


Required



Insert 8 x Cam Nuts (H5) into the 6 x Support Rails (P6) and Base Panel (P5) as shown. Attach Right Side Panel (P4) to the Support Panels (P6) and Base Panel (P5), by tightening all Cam Nuts with the Phillips Head Screwdriver.

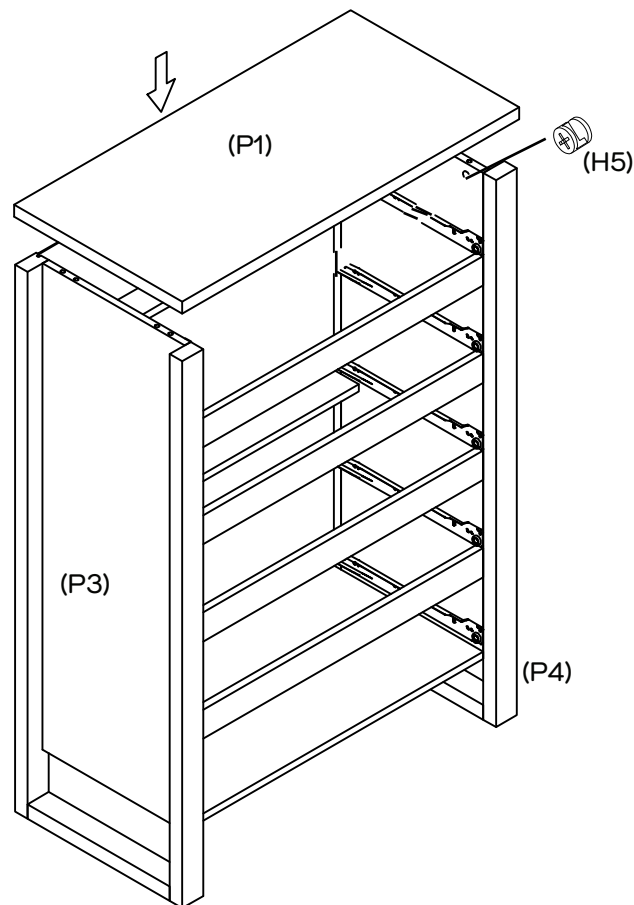
Step 7



Slot the Back Panel (P7) into the grooves of panels (P3, P4 & P5) as shown.

Step 8

You will need	
	
4 x Cam Nuts (H5)	Phillips Head Screwdriver






This is how a cam nut works.....

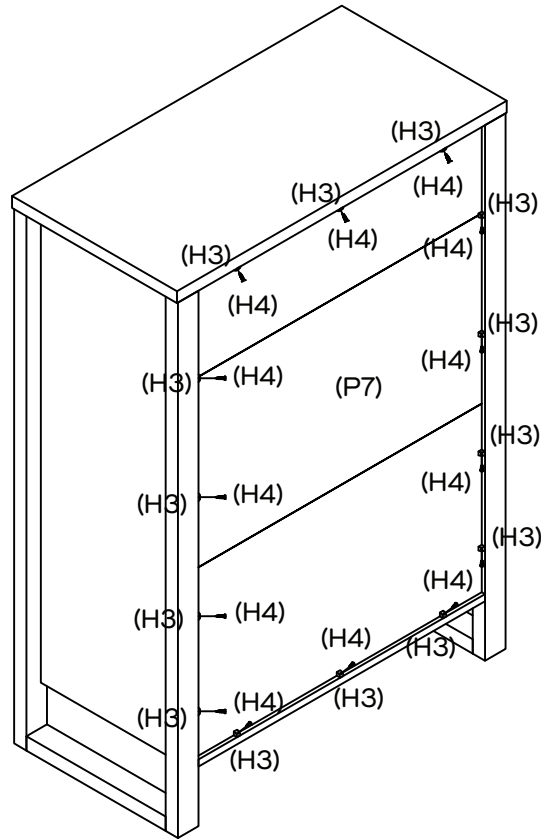
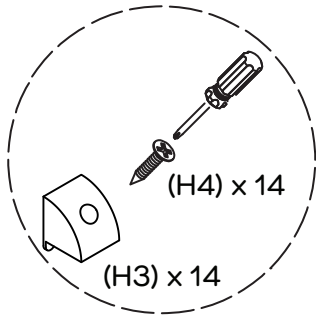


The head of the cam bolt goes into the open mouth of the cam nut. You then turn the cam nut so it tightens over the bolt.

Insert 4 x Cam Nuts into Left Side Panel (P3) and Right Side Panel (P4). Attach the Top Panel (P1) to the Left Side Panel (P3) and Right Side Panel (P4) by aligning the Dowels (H7) and Cam Bolts (H6) to the holes as shown. Ensure that the Back Panel (P7) is slotted into the groove of the Top Panel (P1) as well. Tighten the Cam Nuts (H5) with the Phillips Head Screwdriver in the Left Side Panel (P3) and Right Side Panel (P4) to lock into position.

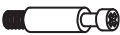

Step 9

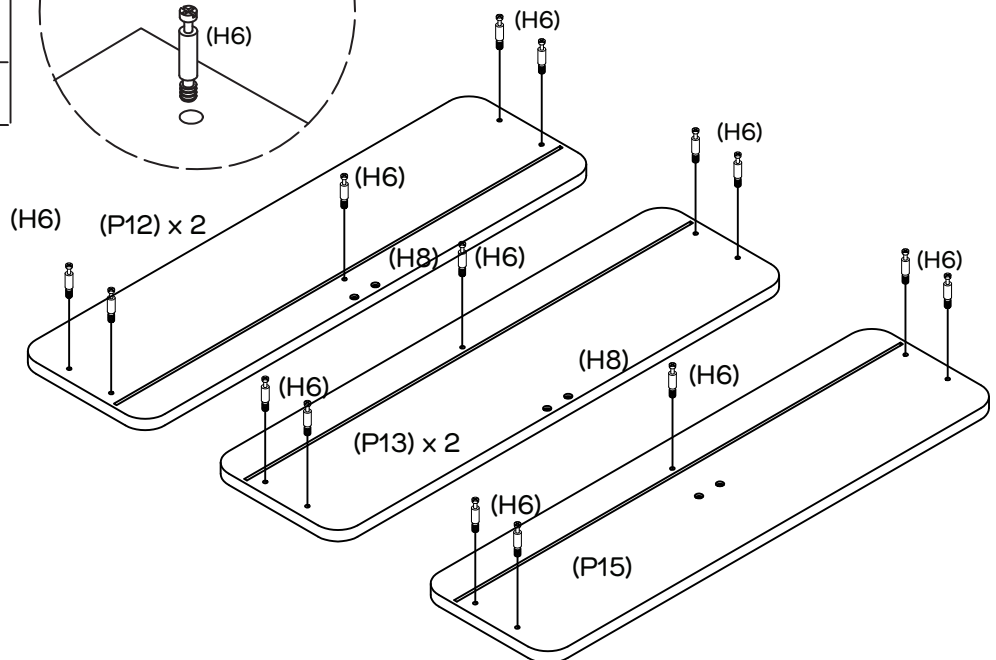
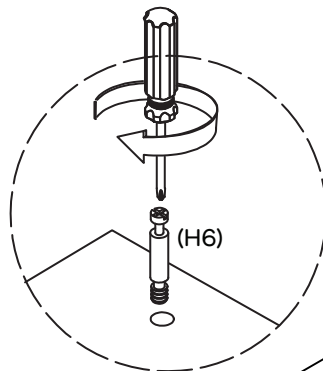
You will need	
	
14 x Wedges (H3)	14 x Wedge Screws (H4)
	
Phillips Head Screwdriver	



Secure Back Panel (P7) in place with 14 x Wedges (H3) using 14 x Wedge Screws (H4) by tightening with the Phillips Head Screwdriver.



Step 10

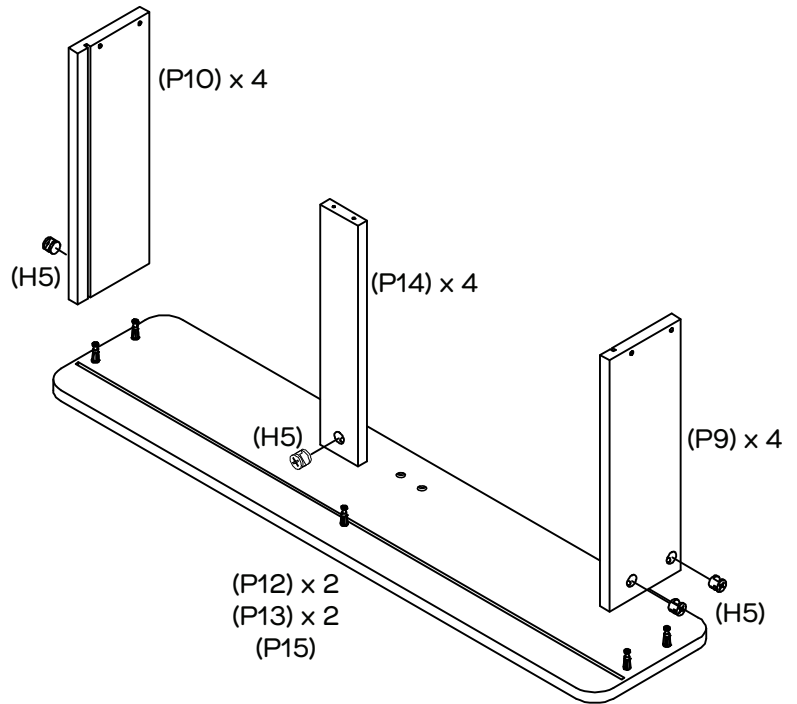
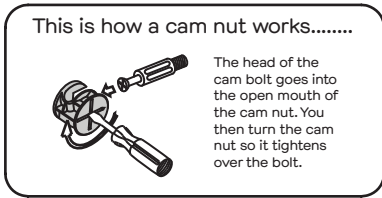
You will need	
	
25 x Cam Bolts (H6)	Phillips Head Screwdriver



Insert 25 x Cam Bolts (H6) into the Drawer Front Panels (P12, P13 & P15), by tightening with a Phillips Head Screwdriver.

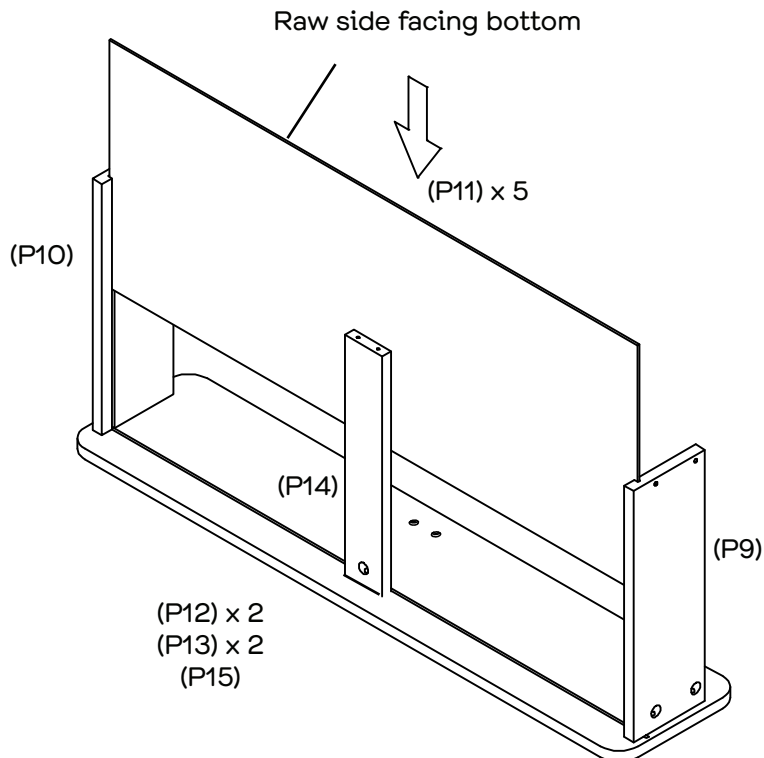
Step 11

You will need	
	
25 x Cam Nuts (H5)	Phillips Head Screwdriver





Insert 5 x Cam Nuts into the Drawer Side Panels (P9 & P10) and Drawer Support Panels (P14). Rotate the Cam Nuts so the arrows point towards the incoming cam bolts. Attach the Drawer Front Panels (P12, P13 & P15) to the Drawer Side Panels (P9 & P10), by tightening Cam Nuts with the Phillips Head Screwdriver. Repeat for the remaining drawers.

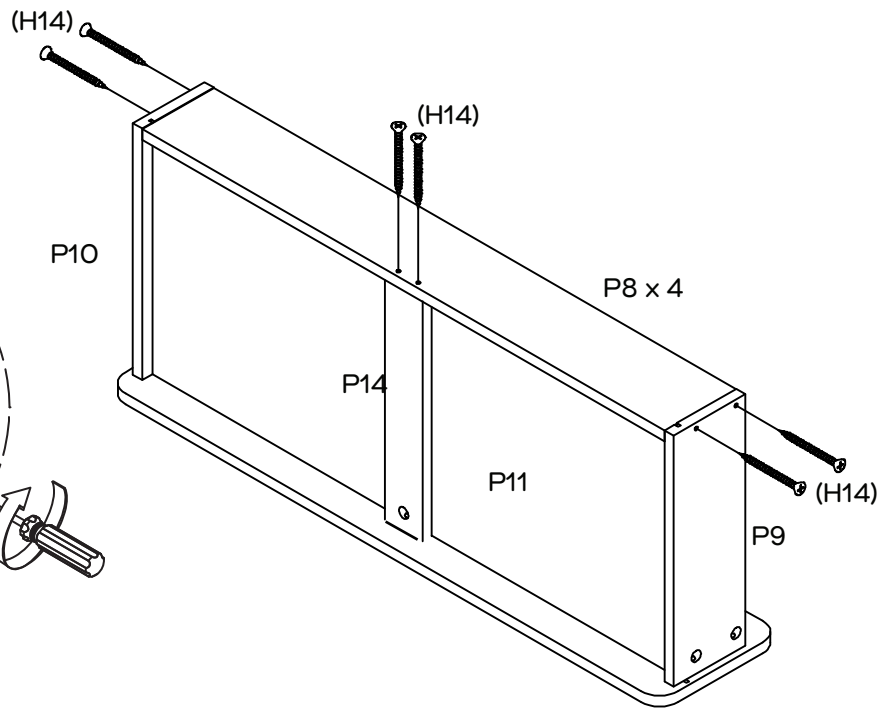
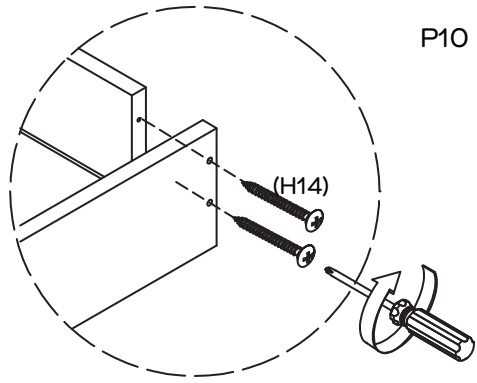
Step 12



Slot in the Drawer Base Panel (P11) into the grooves of panels (P9 & P10) and Drawer Front Panels (P12, P13 & P15) as shown.





Step 13

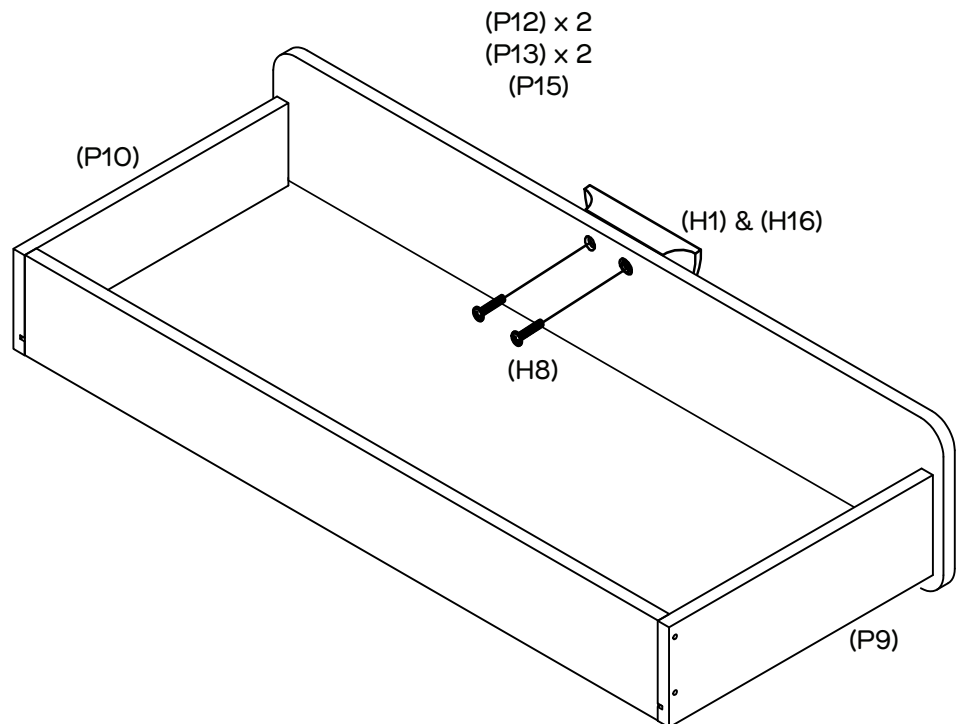
You will need	
	
24 x Drawer Screws (H14)	Phillips Head Screwdriver




Attach the Drawer Back Panels (P8) to the Drawer Side Panels (P9 & P10) with 6 x Drawer Screws (H14), by tightening with a Phillips Head Screwdriver. Before securing, ensure the Drawer Base Panel (P11) lines up with the grooves the whole way around the drawer. Repeat process for remaining drawers.

Step 14

You will need	
	
4 x Handles (H1)	10 x Handle Screws (H8)
	
Phillips Head Screwdriver	Handle (H16)



This is how a cam nut works.....

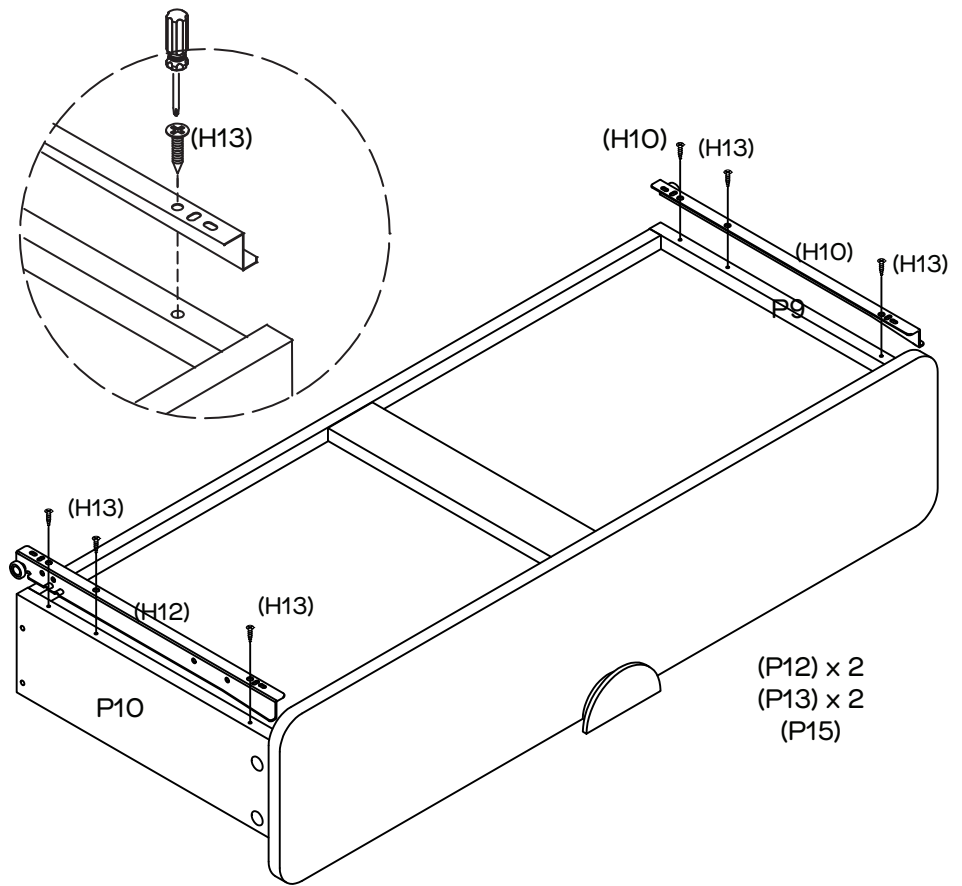


The head of the cam bolt goes into the open mouth of the cam nut. You then turn the cam nut so it tightens over the bolt.

Attach the 4 x Handles (H1) to the Drawer Fronts (P12 & P13) with 8 x Handle Screws (H8), by tightening with a Phillips Head Screwdriver. Repeat process to attach 1 x Handle (H16) to the Drawer Front (P15).

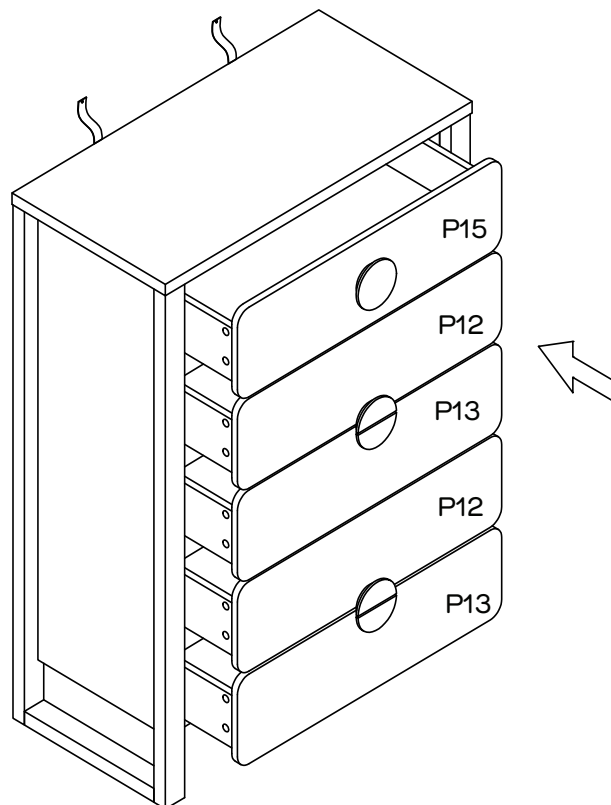
Step 15

You will need	
5 x DL Runners (H10)	5 x DL Runners (H12)
30 x Runner Screws (H13)	Phillips Head Screwdriver




Attach 1 x DL Runner (H10) to the bottom of Drawer Side Panel L (P9) and 1 x DR Runner (H12) to the bottom of Drawer Side Panel R (P10) with 6 x Runner Screws (H13) by tightening with the Phillips Head Screwdriver. Repeat process for the remaining drawers.

Step 16

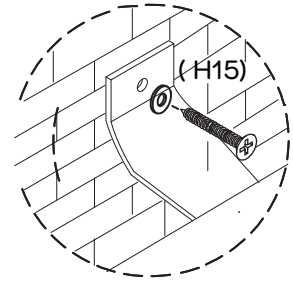
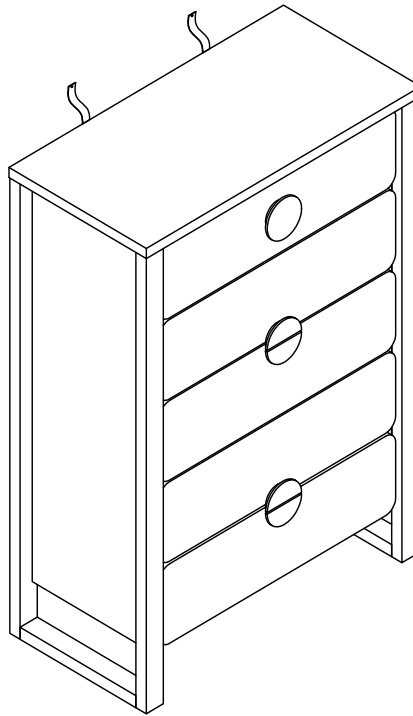


Insert the assembled drawers into the corresponding compartments as shown. Ensure the drawers slide easily along the rails.

Step 17

You will need	
	
2 x Washers (H15)	
Screw and Wall Plug are not provided. Please use appropriate fixtures for your wall.	

Seek advice from a qualified trades person on how to attach this safety strap to your specific wall.



Move the unit to the final position, and attach the safety strap to the wall securely. Make sure it is firmly attached and snug fit.

Job Complete!

In the interest of our environment please dispose of all packaging thoughtfully.