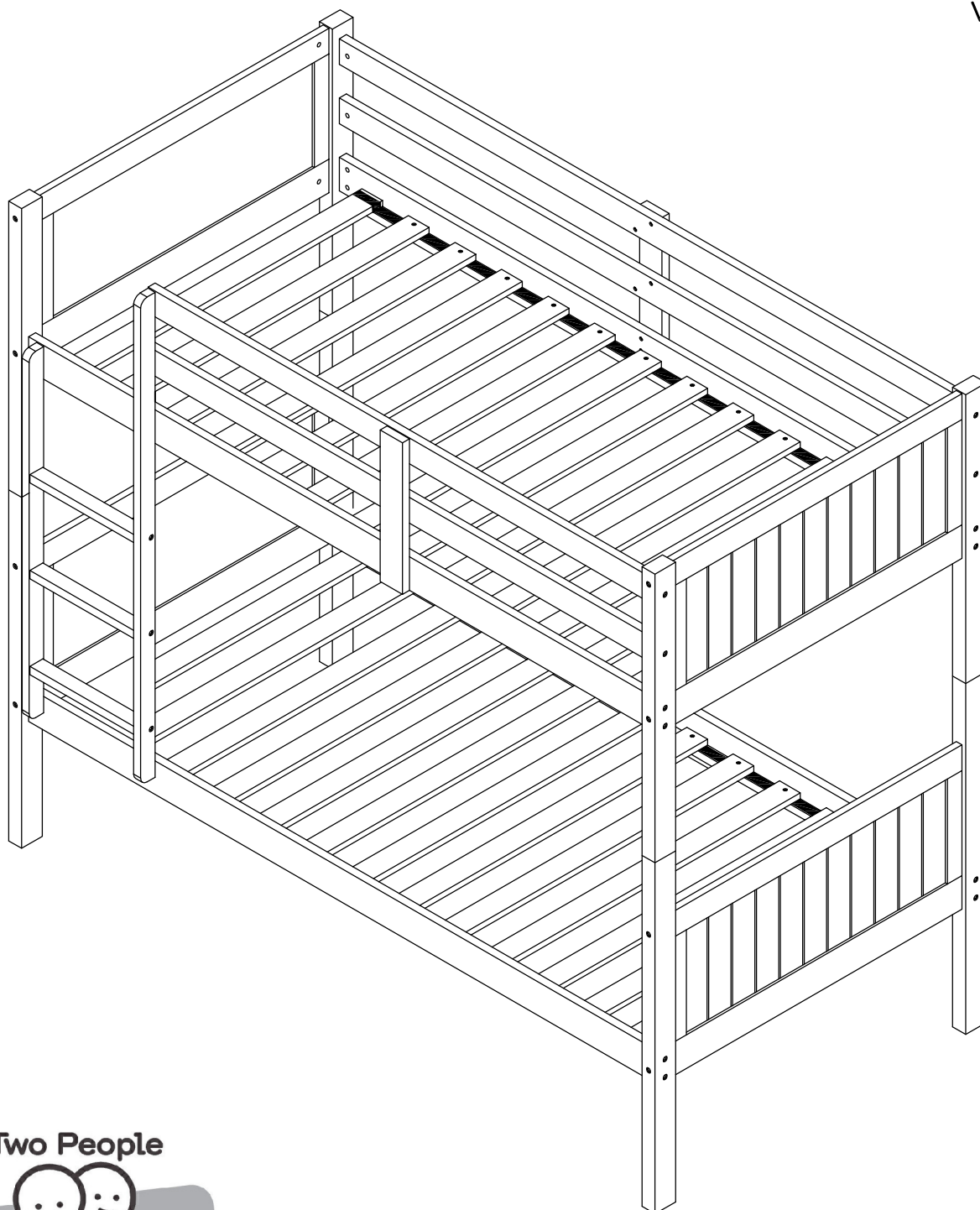




**Fantastic
Furniture**

Version 1.3



Two People



Required

Jordan
Bunk Twin

fantasticfurniture.com.au

HELPFUL BUNK BED SAFETY TIPS

Bunk beds should be checked periodically to ensure that the guardrail, ladder and other components are secure and in the correct position and all connectors are tight.

We recommend that children under the age of nine (9) do not use the upper bunk. Children should be discouraged from playing on the bunk bed.

No more than one occupant should use the upper bunk at any time (unless otherwise stated).

Bunk beds should be placed a minimum of 2 metres away from any ceiling fans to prevent any injury to the upper bunk occupant.

Looks like you've found your Fantastic!

We're thrilled you've chosen Fantastic Furniture
to help create a home you'll love!



Fantastic Furniture

Love it? Share it!

Fantastic buy! Share how it looks at home on Instagram for
your chance to win a \$250 Fantastic Furniture Gift Card!
[@fantasticfurniture](#)



Fantastic
Furniture

Assembly Checklist



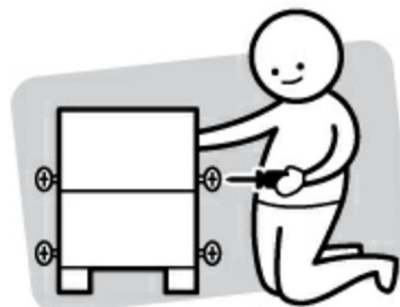
Read through instructions carefully before you begin



Make sure you have all the required tools. Never use power tools unless instructed.



Identify and lay out all of the components before you begin assembly.



Unless Instructed, do not fully tighten screws until the item is fully assembled.

Useful Information

- ! Never use power tools unless specifically instructed. They can damage your components or hardware if used incorrectly.
- ! The most common mistake made during assembly are using the wrong hardware or getting components back to front.
- ! Always use a soft surface (such as carpet or cardboard) when assembling your product to avoid scratching or damaging the surface of the product.
- ! Bulky items such as wardrobes and bunk beds should be assembled in the room they will be used as they may not fit through a door once assembled.
- ! Never use any glue until you are certain that the parts belong together.
- ! Periodically check and re-tighten all fasteners. Check the product care label or website for product care instructions.
- ! If you are having any difficulties assembling your product, missing any hardware or components please visit our website Help Centre for further assistance.
- ! Please see page 2 for any safety requirements or weight restrictions.

What You Need

to assemble the product

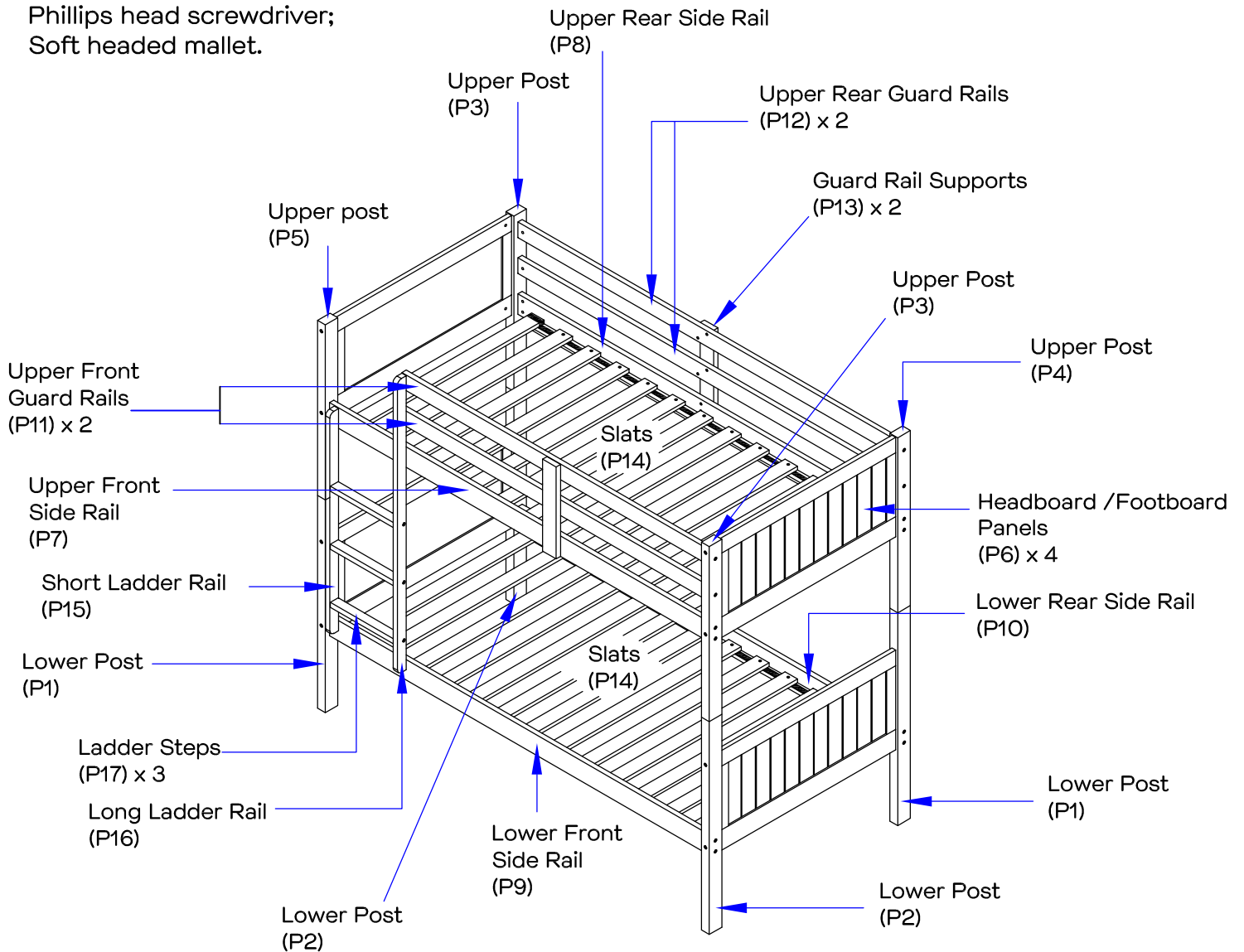


DO NOT USE



Other tools you need

Phillips head screwdriver;
Soft headed mallet.



Fantastic Furniture

Part list

Box 1 :

2 x Lower Posts (P1);
2 x Lower Posts (P2);
2 x Upper Posts (P3);
Upper Post (P4);
Upper Post (P5);
4 x Headboard and Footboard Panels (P6).

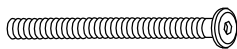
Box 2 :

Upper Front Side Rail (P7);
Upper Rear Side Rail (P8);
Lower Front Side Rail (P9);
Lower Rear Side Rail (P10);
2 x Upper Front Guard Rails (P11);
2 x Upper Rear Guard Rails (P12);
2 x Guard Rail Supports (P13);
Short Ladder Rail (P15);
Long Ladder Rail (P16);
3 x Ladder Steps (P17).

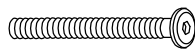
Box 3 :

2 x Sets of Slats (P14).

Hardware Pack



16 x 100mm Bolts
(H1)



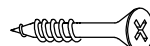
22 x 80mm Bolts
(H2)



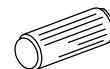
6 x 60mm Bolts
(H3)



10 x 30mm Bolts
(H4)



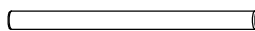
60 x Wood Screws
(H5)



36 x Wood Dowels
(H6)



44 x Barrel Nuts
(H7)



4 x Metal Pins
(H8)

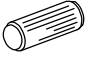



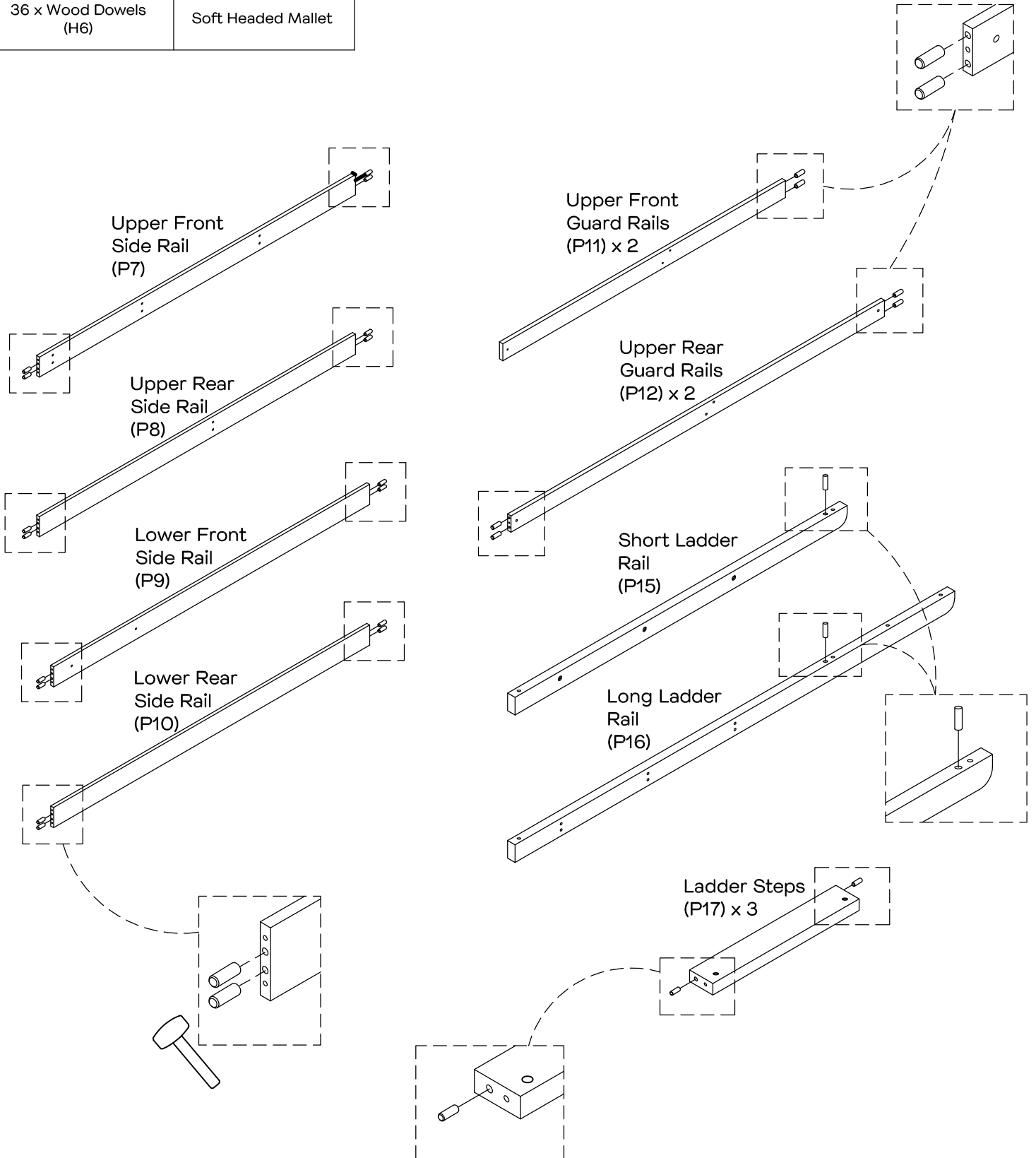
1 x Allen Key
(H9)



16 x Cushion Pads
(H10)


Step 1

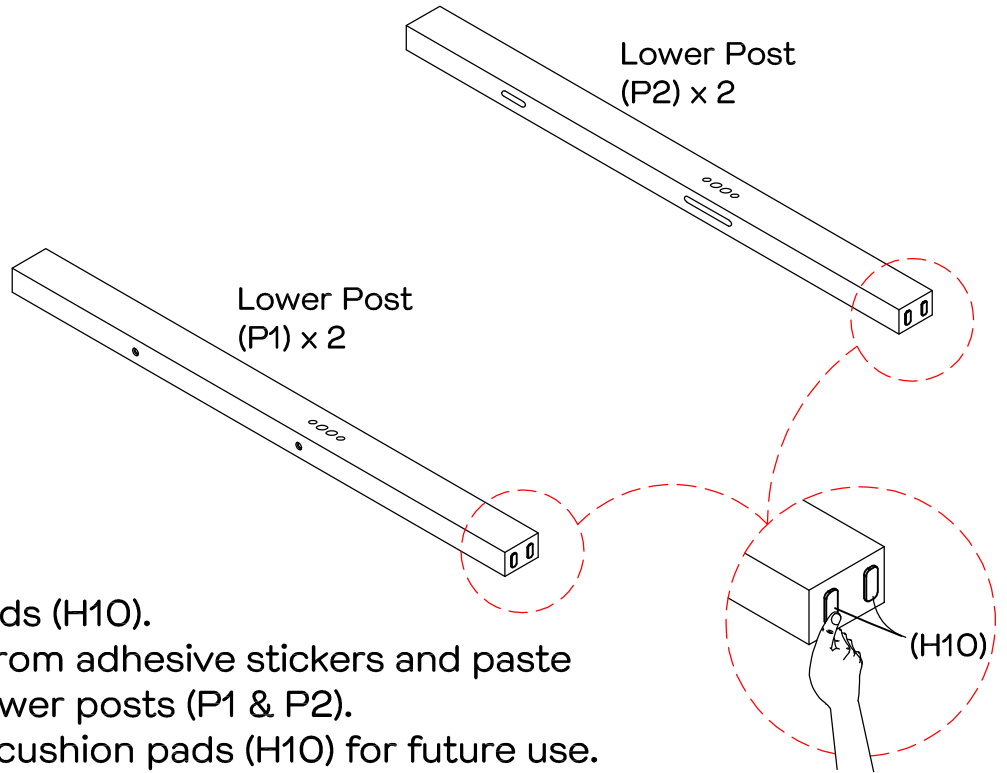
You will need	
	
36 x Wood Dowels (H6)	Soft Headed Mallet



Insert 36 x wood dowels (H6) into the rails as shown by hand or gently using a soft headed mallet.




Step 2

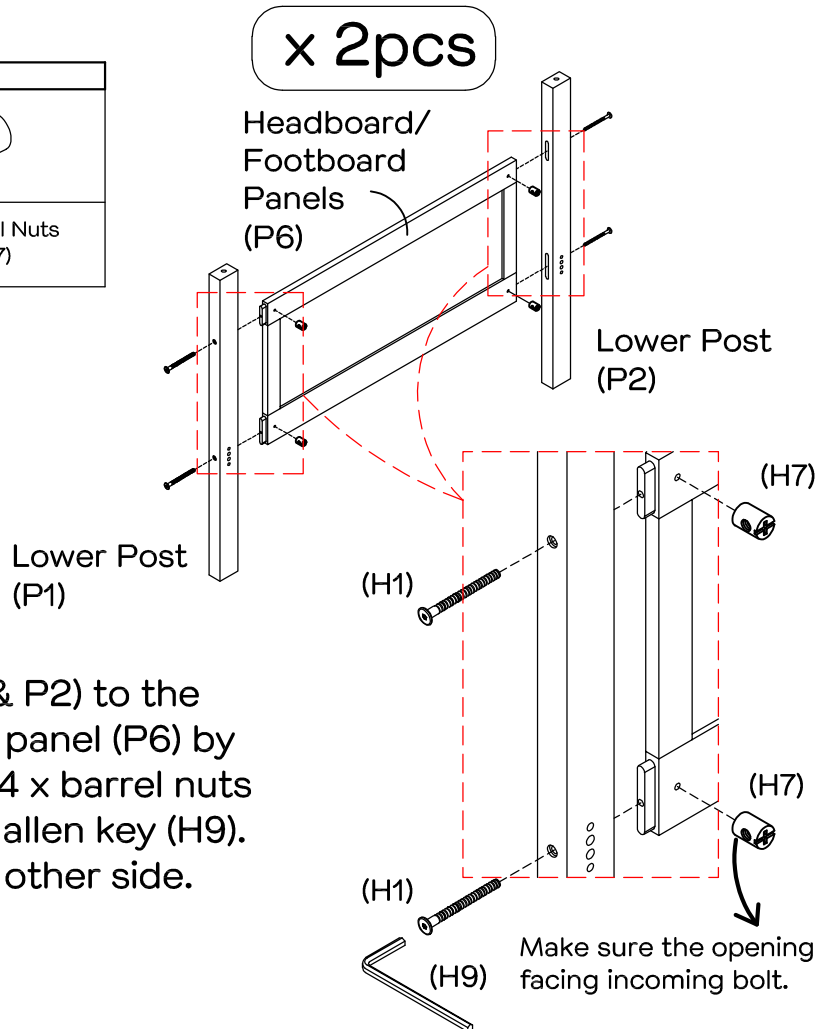
You will need	
	
16 x Cushion Pads (H10)	



Take out 8 x cushion pads (H10).
 Remove cushion pads from adhesive stickers and paste them underneath the lower posts (P1 & P2).
 Keep the remaining 8 x cushion pads (H10) for future use.
 The cushion pads are required if you wish to convert the bunk to 2 single beds by attaching them underneath the upper bunk posts (P3, P4 & P5).

Step 3

You will need	
	
8 x 100mm Bolts (H1)	8 x Barrel Nuts (H7)
	
1 x Allen Key (H9)	



Fix the lower posts (P1 & P2) to the headboard & footboard panel (P6) by using 4 x bolts (H1) and 4 x barrel nuts (H7) tightening with the allen key (H9). Repeat this process for other side.

Step 4

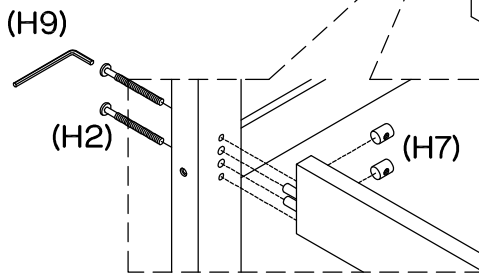
Make sure the pre-drilled holes on the slat support rail faces upward.

TWO PEOPLE



REQUIRED

You will need	
8 x 80mm Bolts (H2)	8 x Barrel Nuts (H7)
1 x Allen Key (H9)	



Lower Post (P1)

Lower Post (P2)

Lower Rear Side Rail (P10)

Lower Front Side Rail (P9)

Lower Post (P1)

Lower Post (P2)

Remark : please push in barrel nuts (H7) while fixing bolts to avoid protrusion.

Attach the lower posts (P1 & P2) to the lower front side rail (P9) and lower rear side rail (P10) by using 8 x bolts (H2) and 8 x barrel nuts (H7) tightening with the allen key (H9).

Step 5

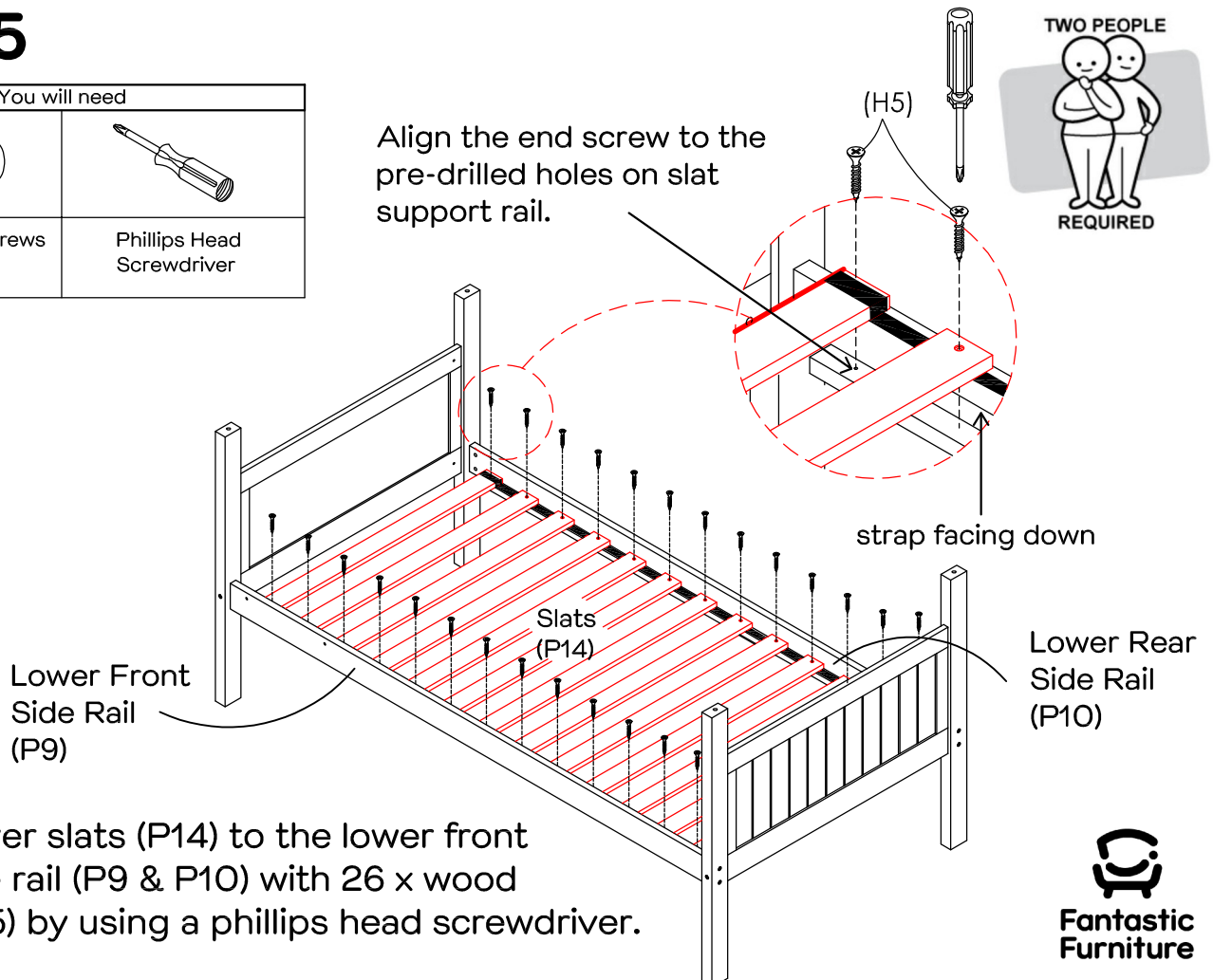
You will need	
26 x Wood Screws (H5)	Phillips Head Screwdriver

Align the end screw to the pre-drilled holes on slat support rail.

TWO PEOPLE



REQUIRED



Lower Front Side Rail (P9)

Slats (P14)

strap facing down

Lower Rear Side Rail (P10)

Fix the lower slats (P14) to the lower front & rear side rail (P9 & P10) with 26 x wood screws (H5) by using a phillips head screwdriver.



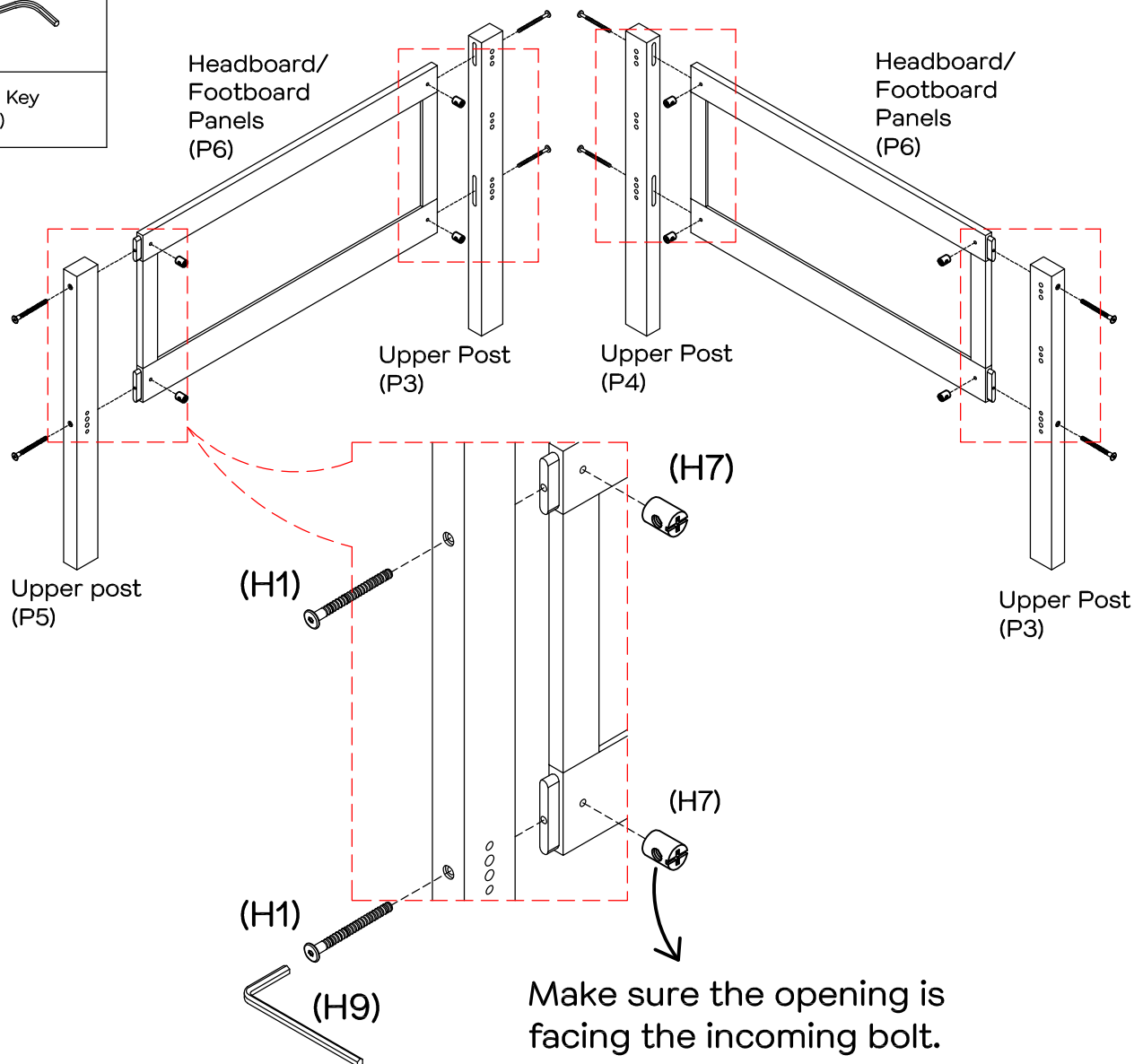
Fantastic Furniture



Step 6

You will need	
8 x 100mm Bolts (H1)	8 x Barrel Nuts (H7)
1 x Allen Key (H9)	

Remark :
please push in barrel nuts (H7) while fixing bolts to avoid protrusion.


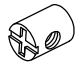



Fix the upper posts (P3, P4 & P5) to the headboard & footboard panels (P6) by using 8 x bolts (H1) and 8 x barrel nuts (H7) tightening with the allen key (H9).

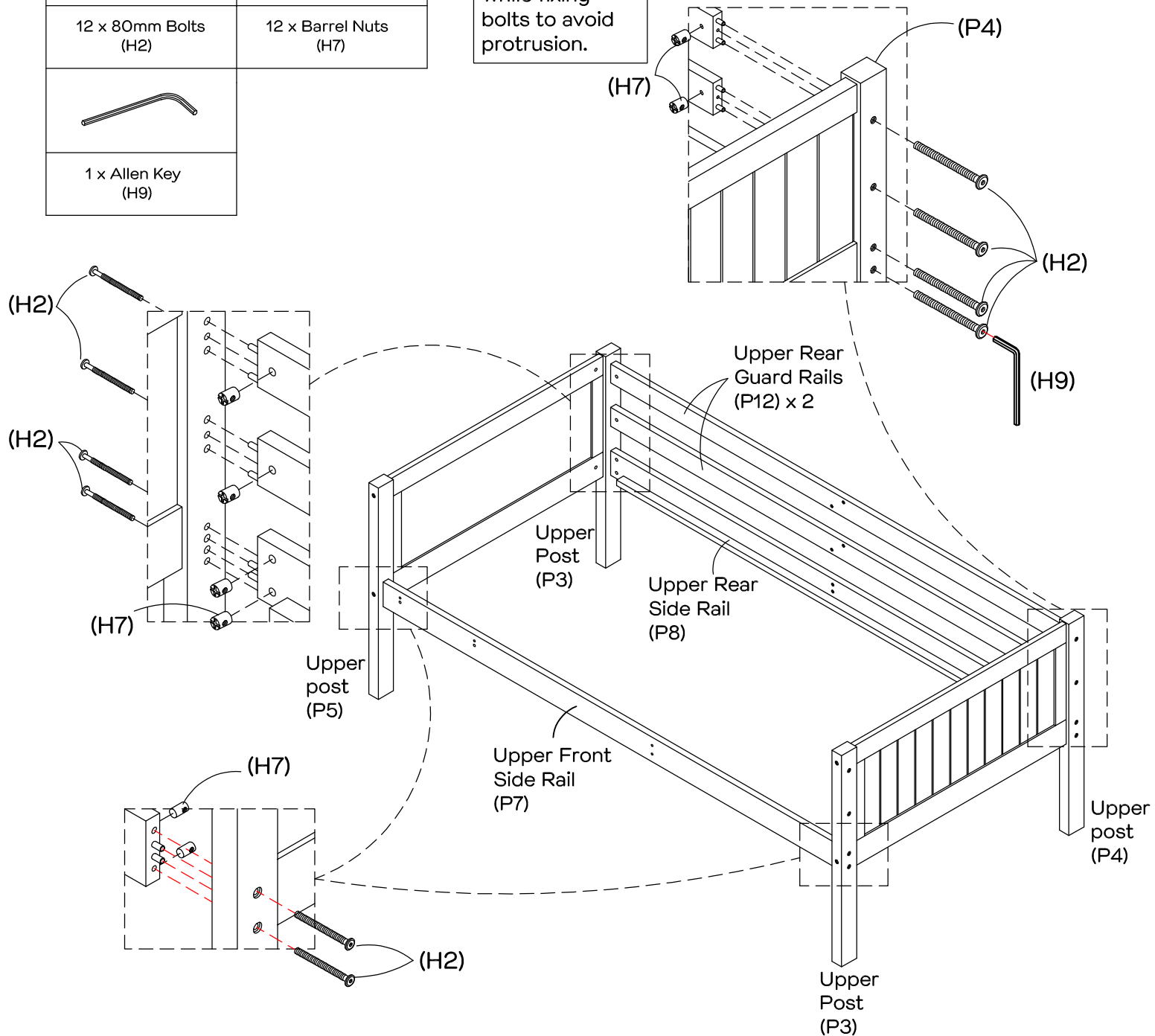
Step 7

TWO PEOPLE



You will need	
	
12 x 80mm Bolts (H2)	12 x Barrel Nuts (H7)
	
1 x Allen Key (H9)	

Remark :
please push in barrel nuts (H7) while fixing bolts to avoid protrusion.



Slot in upper rear side rail (P8) and upper rear guard rails (P12) to the upper post (P3 & P4). Fix 8 x bolts (H2) with 8 x barrel nuts (H7), tightening with the allen key (H9). Do not fully tighten the bolts (H2).

Slot in the upper front side rail (P7) to the upper posts (P3 & P5). Fix the 4 x bolts (H2) with 4 x barrel nuts (H7), tightening with the allen key (H9). Do not fully tighten the bolts (H2).


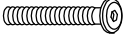
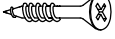


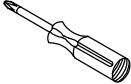


Fantastic Furniture

Step 8

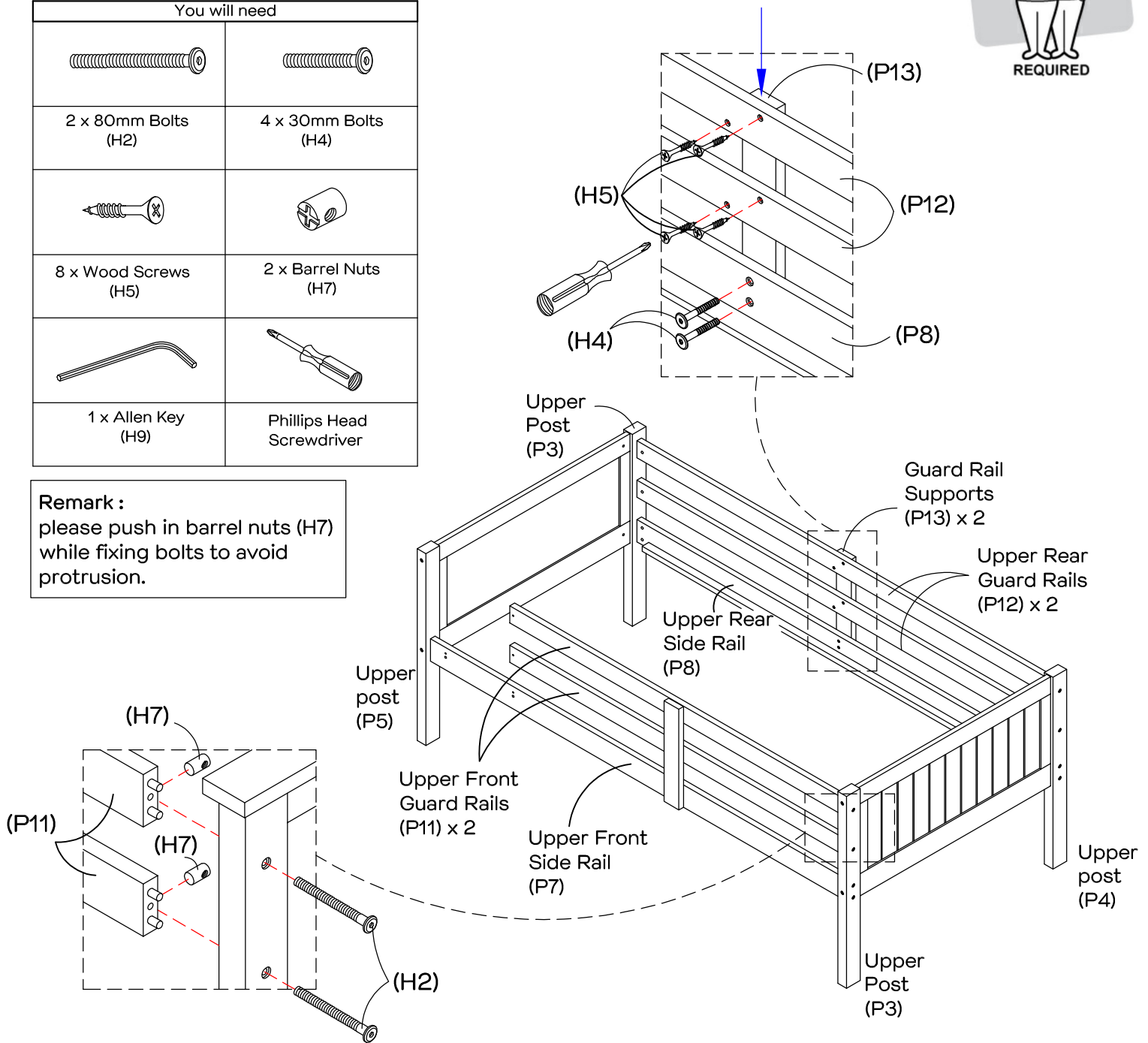
TWO PEOPLE



You will need	
	
2 x 80mm Bolts (H2)	4 x 30mm Bolts (H4)
	
8 x Wood Screws (H5)	2 x Barrel Nuts (H7)
	
1 x Allen Key (H9)	Phillips Head Screwdriver

Remark :
please push in barrel nuts (H7) while fixing bolts to avoid protrusion.

Make sure upper edge of (P13 and P12) are flush.



Fix the guard rail support (P13) to upper rear side rail (P8) with 2 x bolts (H4) using the allen key (H9). Do not fully tighten the bolt (H4).

Repeat this process to attach the other guard rail support (P13) to upper front side rail (P7).

Then tighten rear guard rails (P12) with 4 x wood screws (H5) by aligning the pre-drilled holes on the guard rail support (P13).

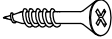
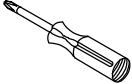
Slot front guard rails (P11) to upper post (P3) and fix 2 x bolts (H2) with 2 x barrel nuts (H7), tightening with the allen key (H9).

Tighten front guard rail support (P13) to front guard rails (P11) with 4 x wood screws (H5) by aligning the pre-drilled holes on the guard rail support (P13). Tighten all bolts (H2 & H4) from step 7.

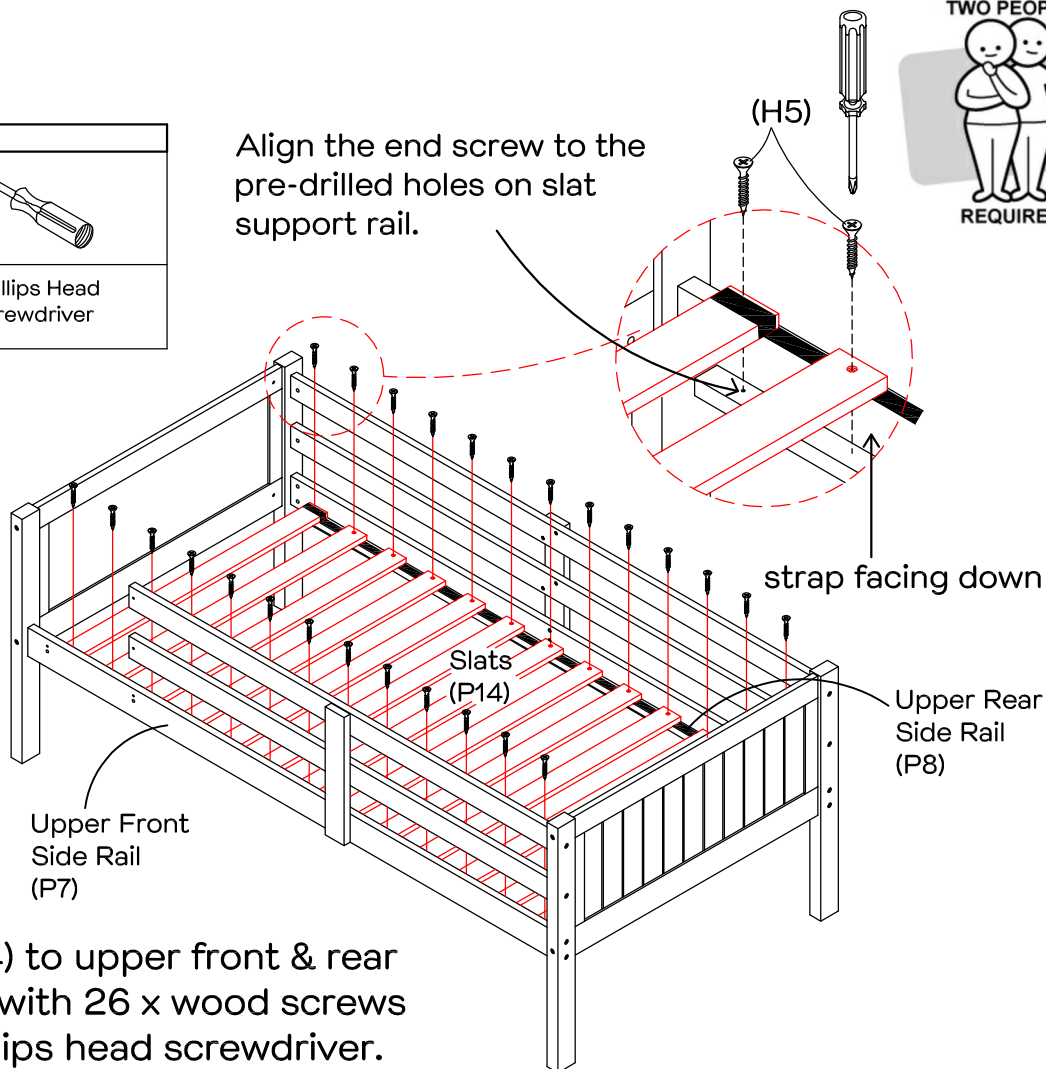


Fantastic Furniture

Step 9


You will need	
	
26 x Wood Screws (H5)	Phillips Head Screwdriver

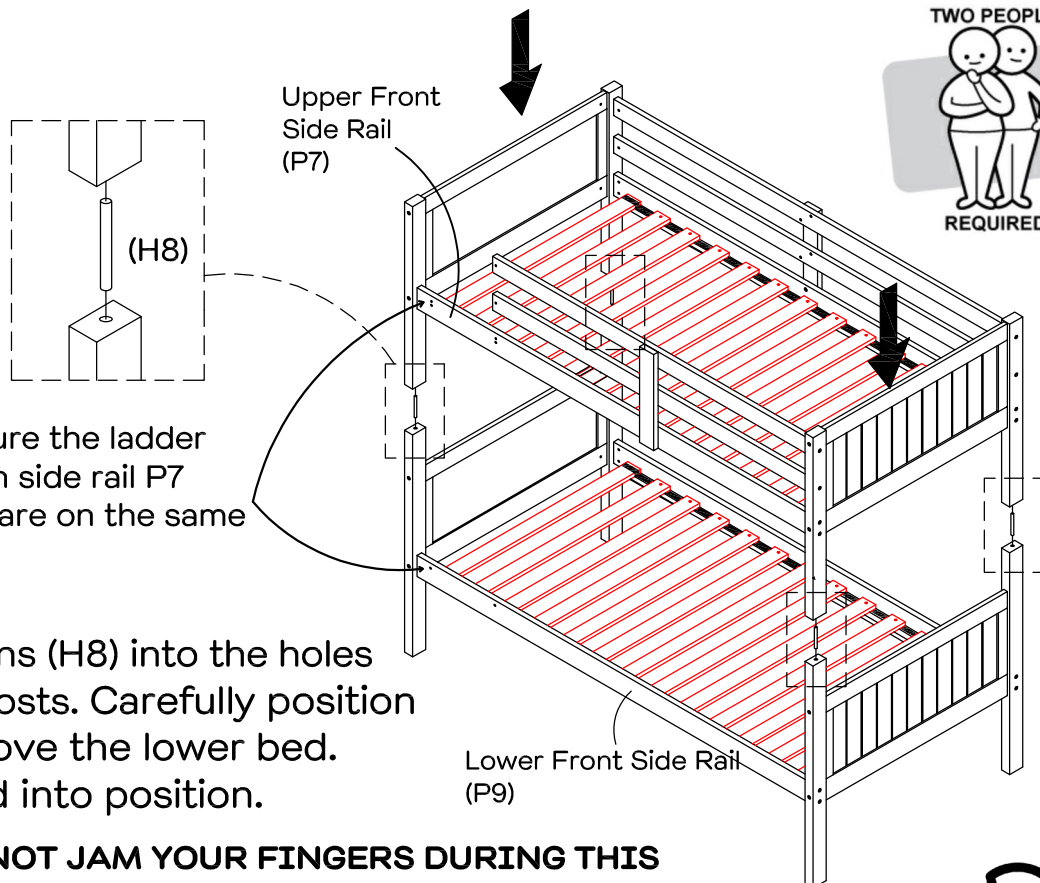
Align the end screw to the pre-drilled holes on slat support rail.



Fix upper slats (P14) to upper front & rear side rails (P7 & P8) with 26 x wood screws (H5) by using a phillips head screwdriver.

Step 10

You will need	
	
4 x Metal Pins (H8)	



Make sure the ladder holes on side rail P7 and P9 are on the same side.

Insert 4 x metal pins (H8) into the holes of the lower bed posts. Carefully position the upper bed above the lower bed. Put the upper bed into position.






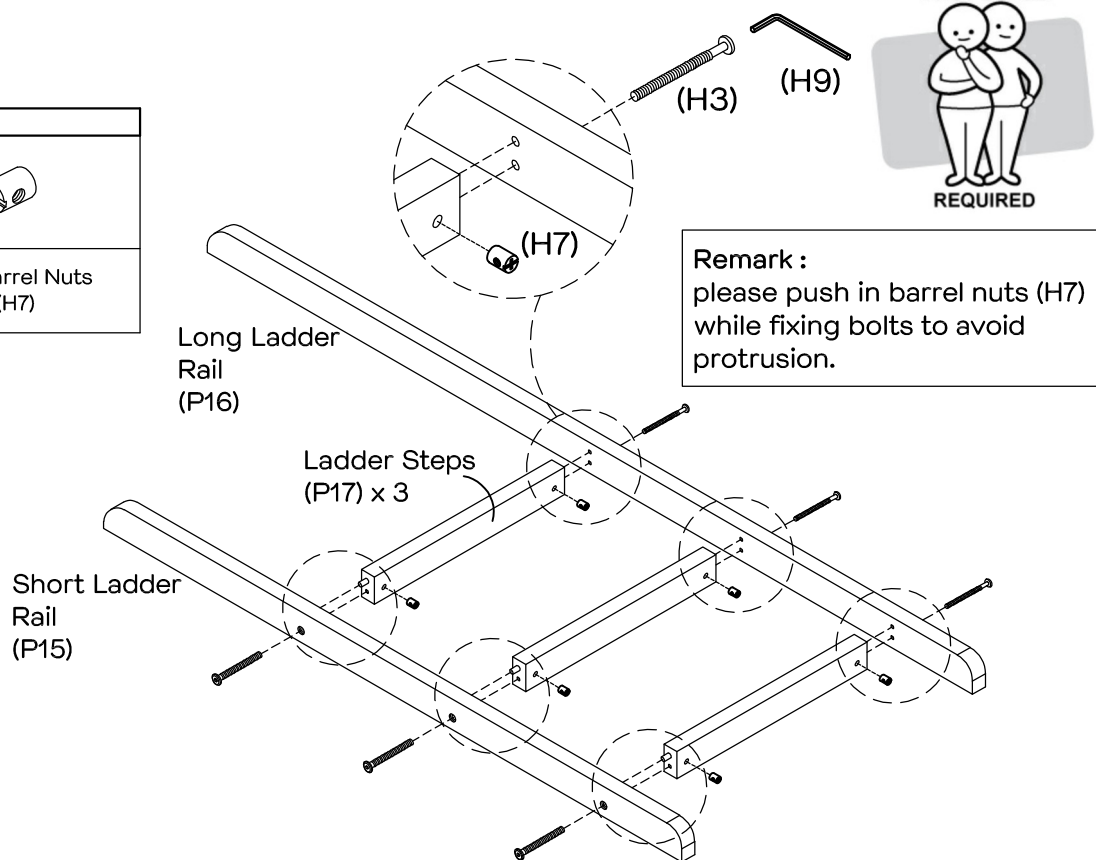
BE CAREFUL TO NOT JAM YOUR FINGERS DURING THIS ASSEMBLY STEP. DON'T LET THE METAL PIN SCRATCH THE LEGS OF THE UPPER BUNK.



Fantastic Furniture



Step 11

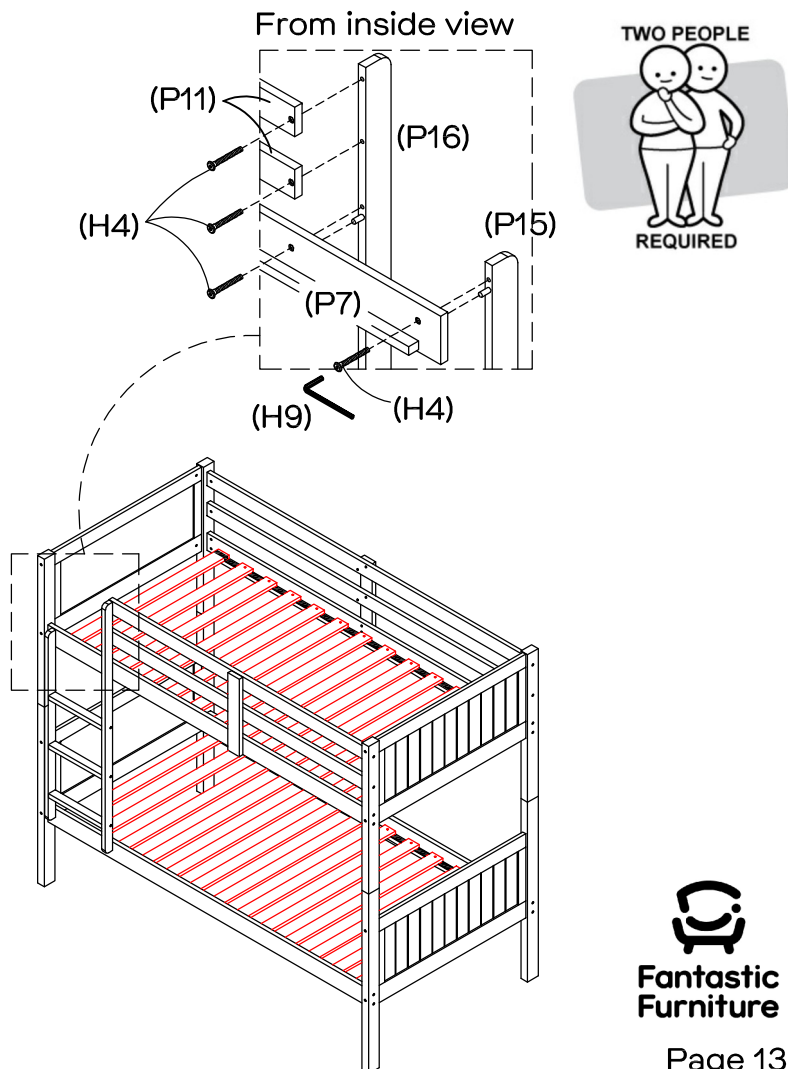
You will need	
	
6 x 60mm Bolts (H3)	6 x Barrel Nuts (H7)
	
1 x Allen Key (H9)	



Fix the short ladder rail (P15) to the 3 x ladder steps (P17) by using 3 x bolts (H3) and 3 x barrel nuts (H7) tightening with the allen key (H9).
 Fix the long ladder rail (P16) to the 3 x ladder steps (P17) by using 3 x bolts (H3) and 3 x barrel nuts (H7) using the allen key (H9).

Step 12

You will need	
	
4 x 30mm Bolts (H4)	1 x Allen Key (H9)





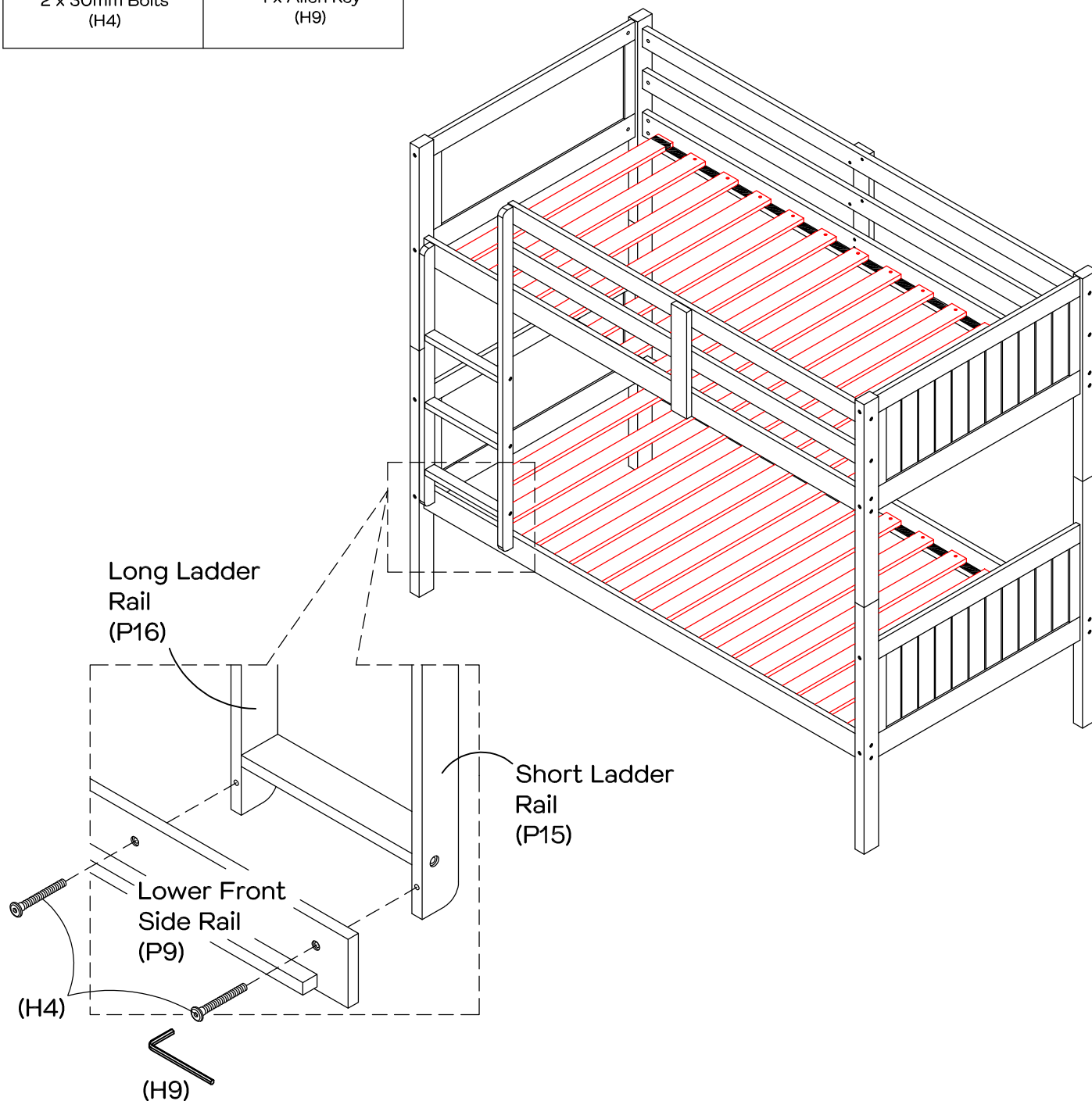
Attach the ladder to bunk.
 Fix the short ladder rail (P15) to the upper front side rail (P7) with 1 x bolt (H4) using the allen key (H9) from inside.
 Then fix the long ladder rail (P16) to the upper front side rail (P7) and upper front guard rail (P11) with 3 x bolts (H4) using the allen key (H9) from inside.



REQUIRED

Step 13

You will need	
	
2 x 30mm Bolts (H4)	1 x Allen Key (H9)

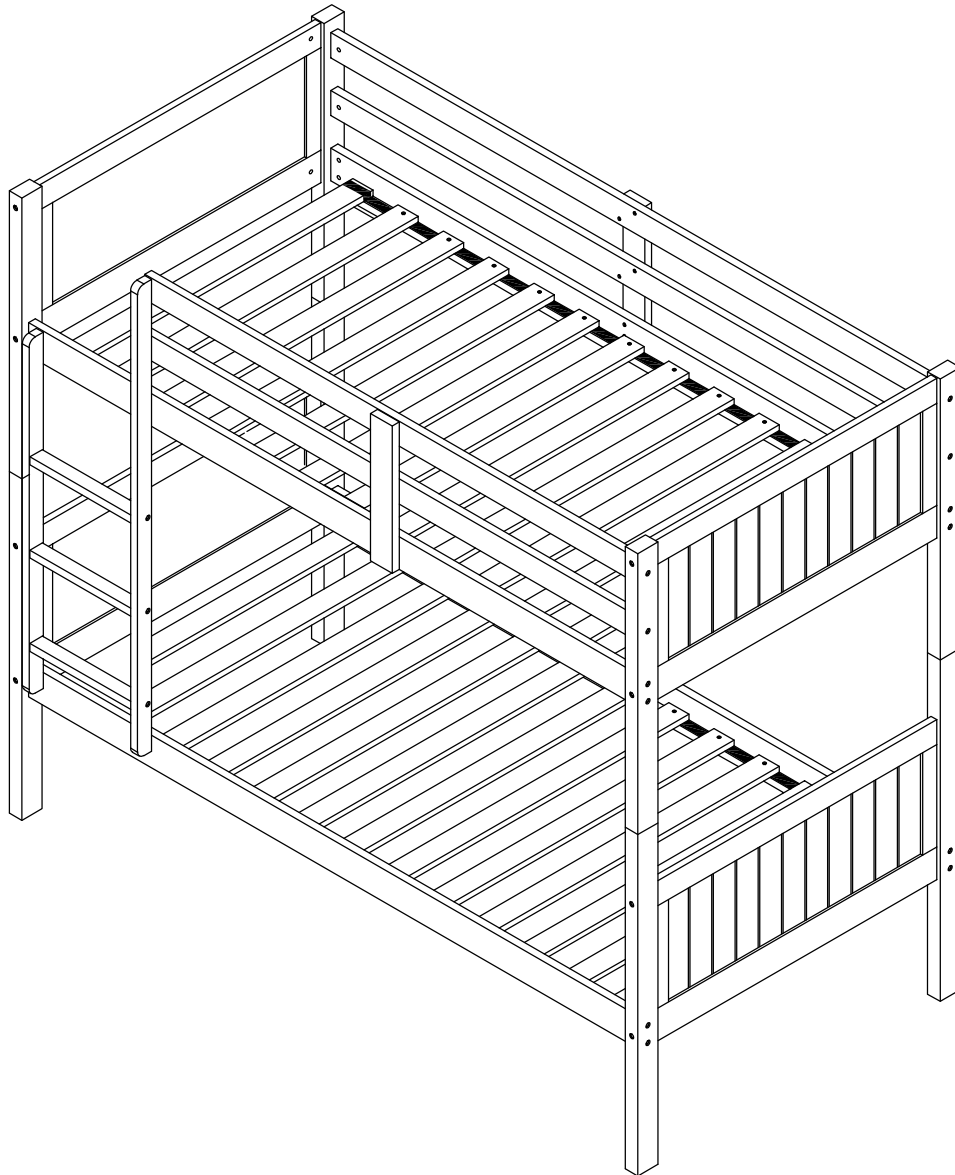


Fix the short & long ladder rails (P15 & P16) to the lower front side rail (P9) by using 2 x bolts (H4), tightening with the allen key (H9).



Fantastic
Furniture

Step 14



Job Complete!

In the interest of our environment please dispose of all packaging thoughtfully.