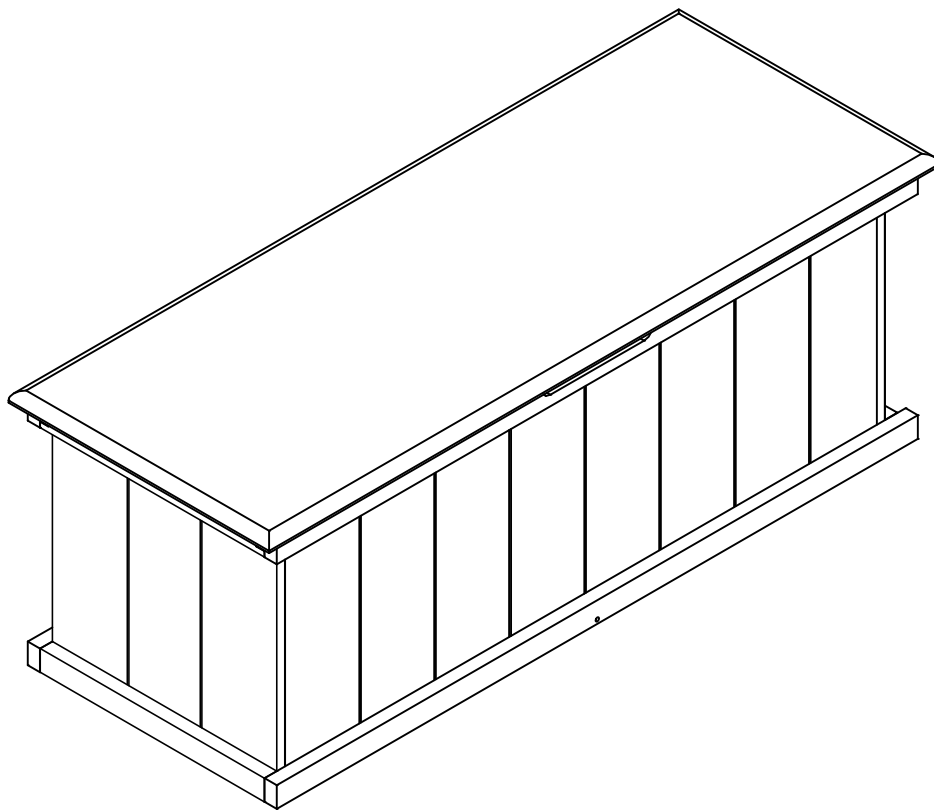




Version 1.0



# BERGEN

## BLANKET BOX Large

[www.fantasticfurniture.com.au](http://www.fantasticfurniture.com.au)

# Enjoy

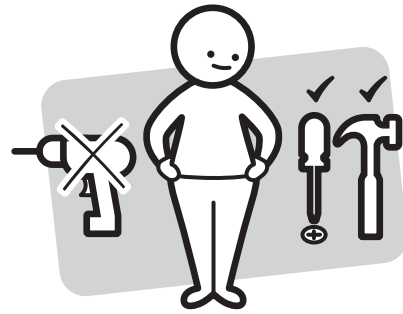
Your purchase from  
Australia's Best Value Furniture Store



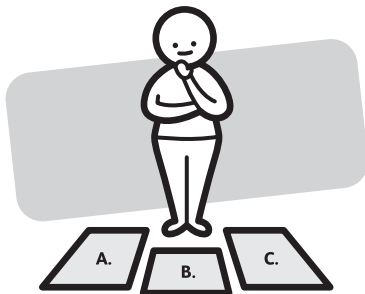
# Assembly checklist



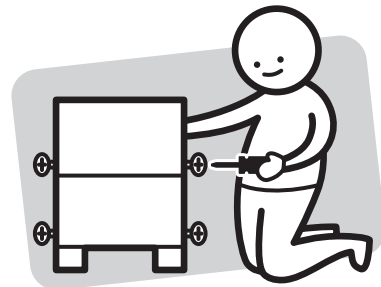
Read through the instructions carefully before you begin.



Make sure you have all the required tools. Never use power tools unless instructed.



Identify and lay out all of the components before you begin assembly.

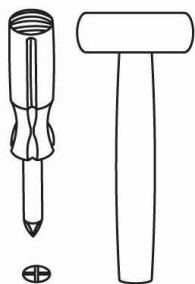


Unless instructed, do not fully tighten screws until the item is fully assembled.

## Useful Information

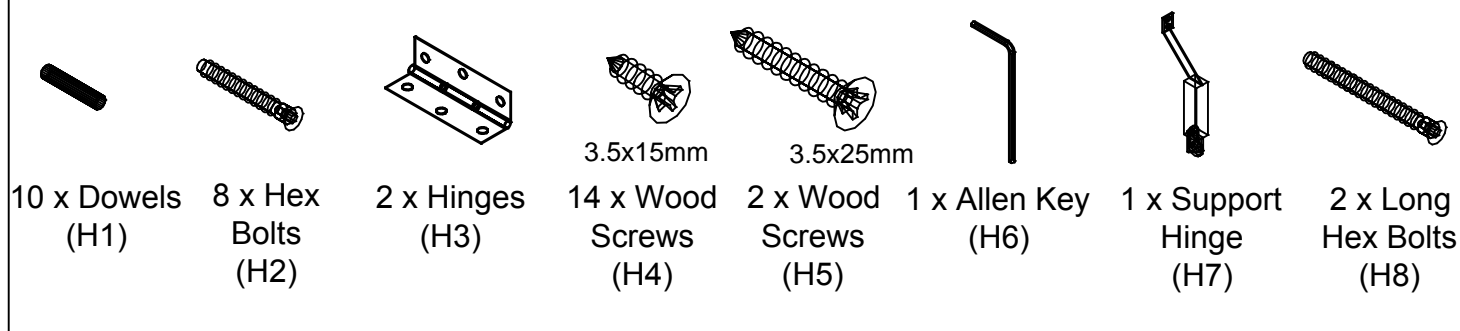
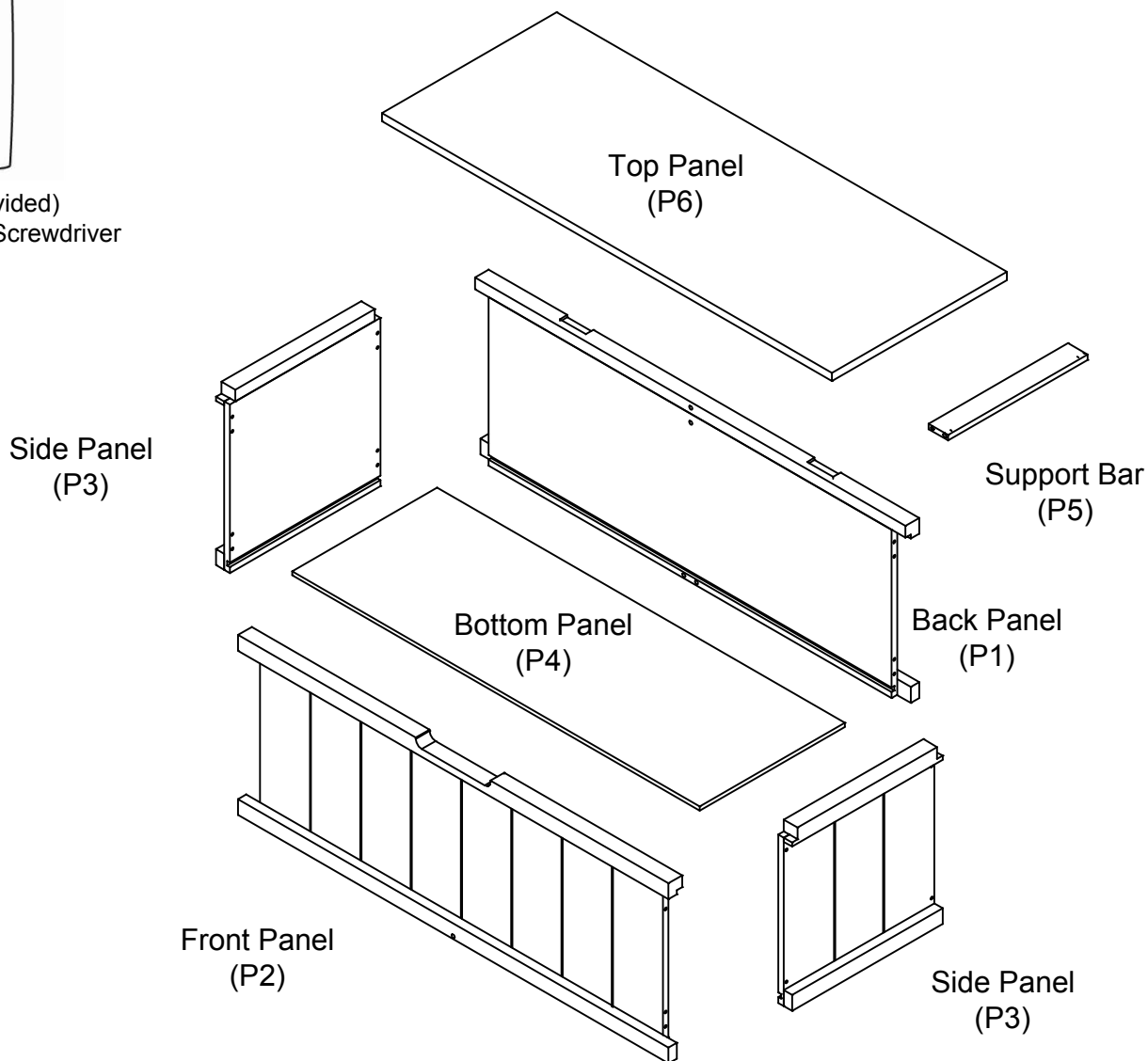
- ! Never use power tools unless specifically instructed. They can damage your components or hardware if used incorrectly.
- ! The most common mistakes made during assembly are using the wrong hardware or getting components back to front.
- ! Always use a soft surface (such as carpet or cardboard) when assembling your product to avoid scratching or damaging the surface of the product.
- ! Bulky items such as wardrobes and bunk bed should be assembled in the room they will be used in as they may not fit through a door once assembled.
- ! Never use any glue until you are certain that the parts belong together.
- ! Periodically check and re-tighten all fasteners. Check the product care label or website for product care instructions.
- ! If you are having any difficulties assembling your product, missing any hardware or components please visit our website Help Centre for further assistance.

# What you Need



(Tools not provided)  
Phillips Head Screwdriver  
Mallet

## To Assemble the Body



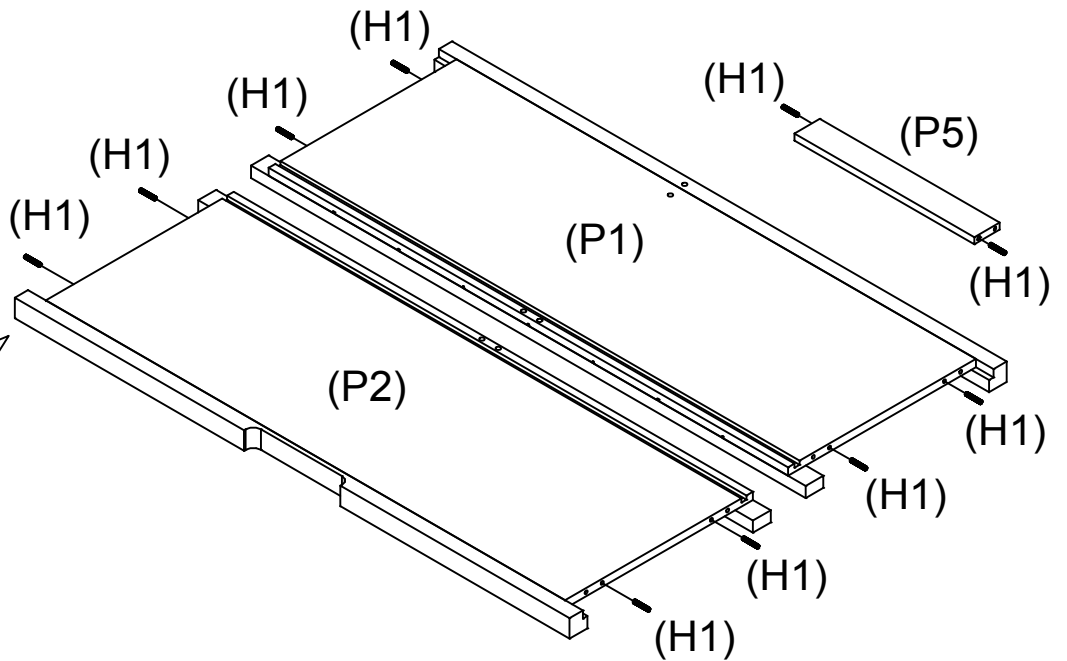
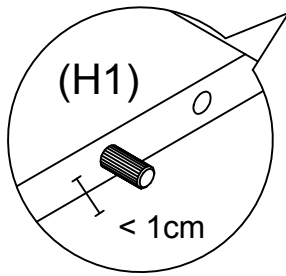
Please make sure you have all these parts before you start.



# Step 1

You will need:

10 x Dowels  
(H1)



Insert 10 x Dowels (H1) into Dowel holes on Back Panel (P1), Front Panel (P2) and Support Bar (P5). Make sure Dowels are fully inserted into holes. Tap gently with mallet if necessary.

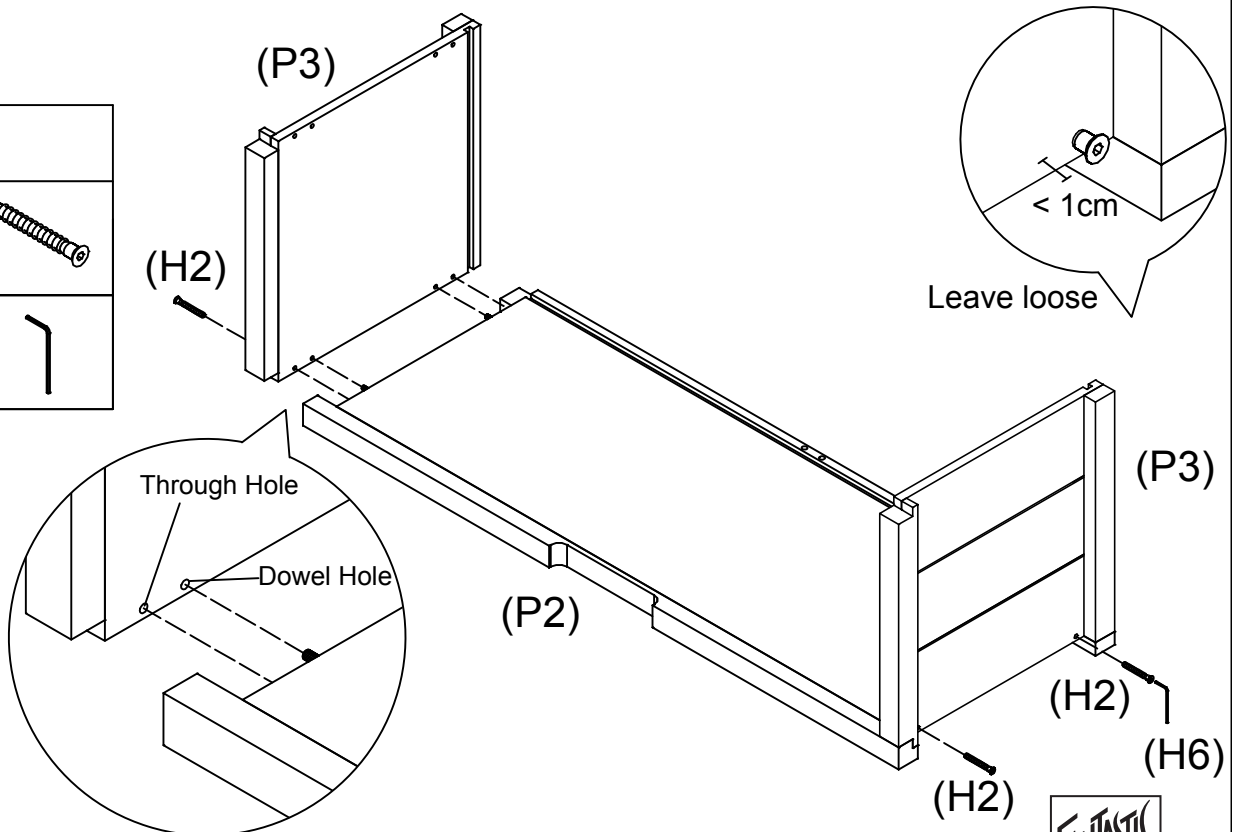
# Step 2

You will need:

4 x Hex Bolts  
(H2)

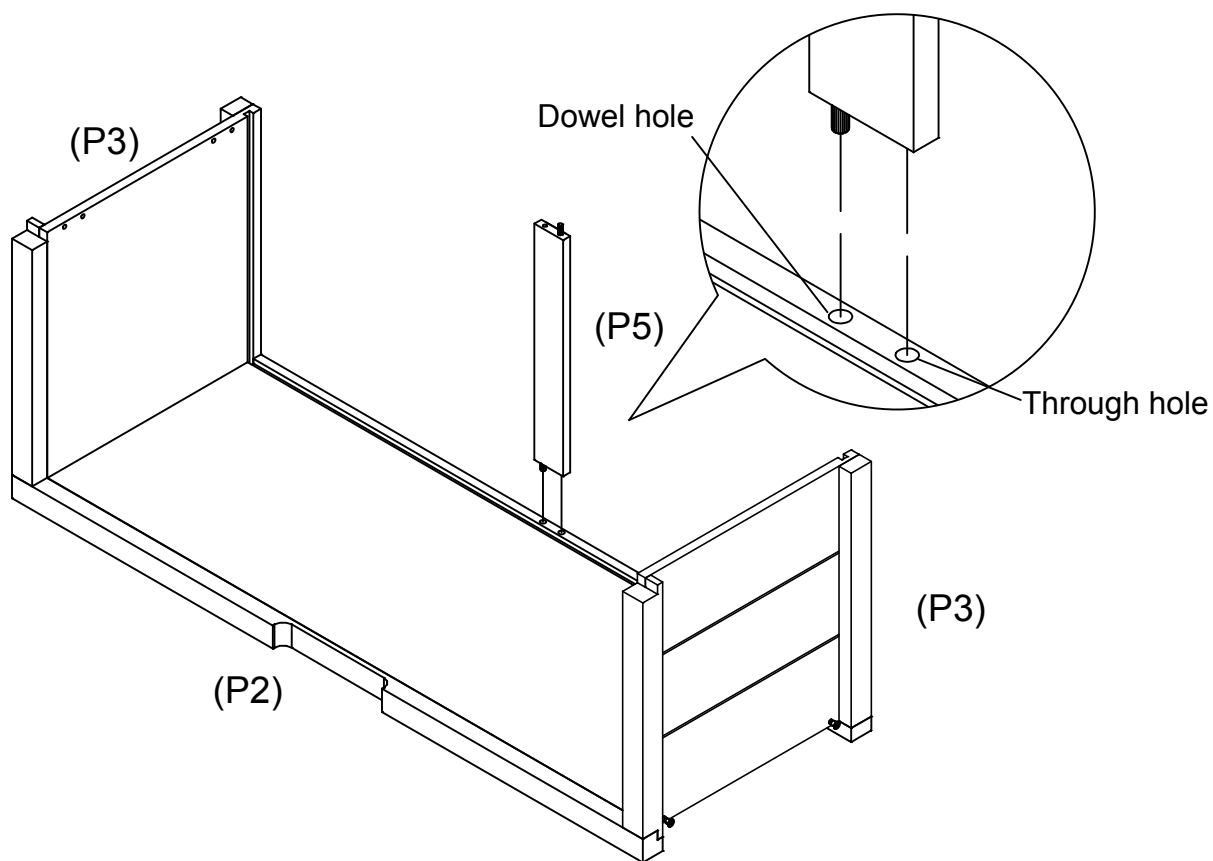


1 x Allen Key  
(H6)



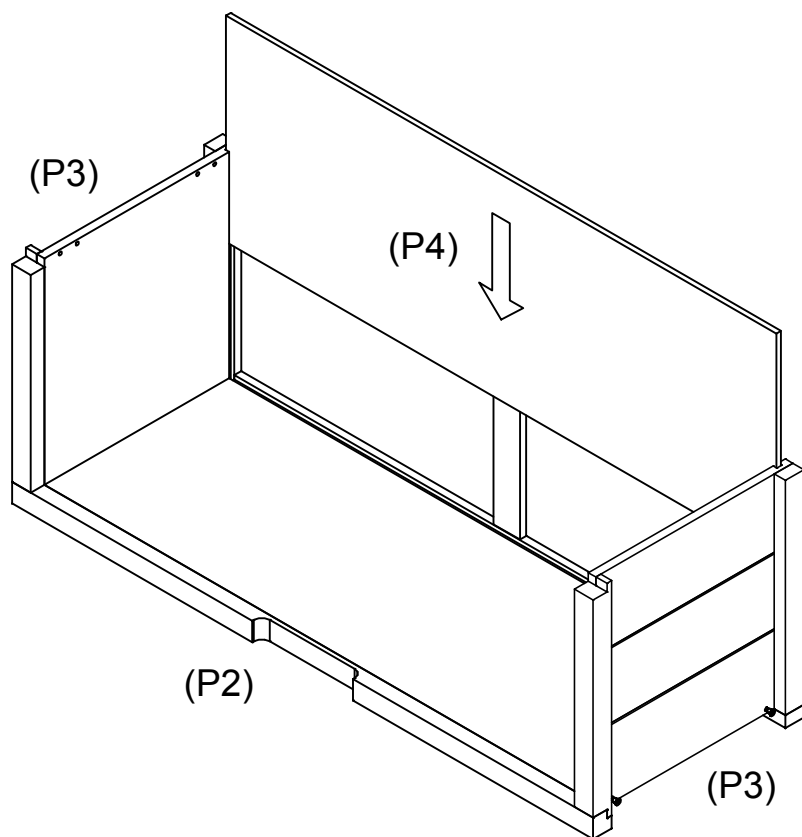
Attach 2 x Side Panels (P3) with Front Panel (P2), using 4 x Hex Bolts (H2). Leave bolts loose.

# Step 3



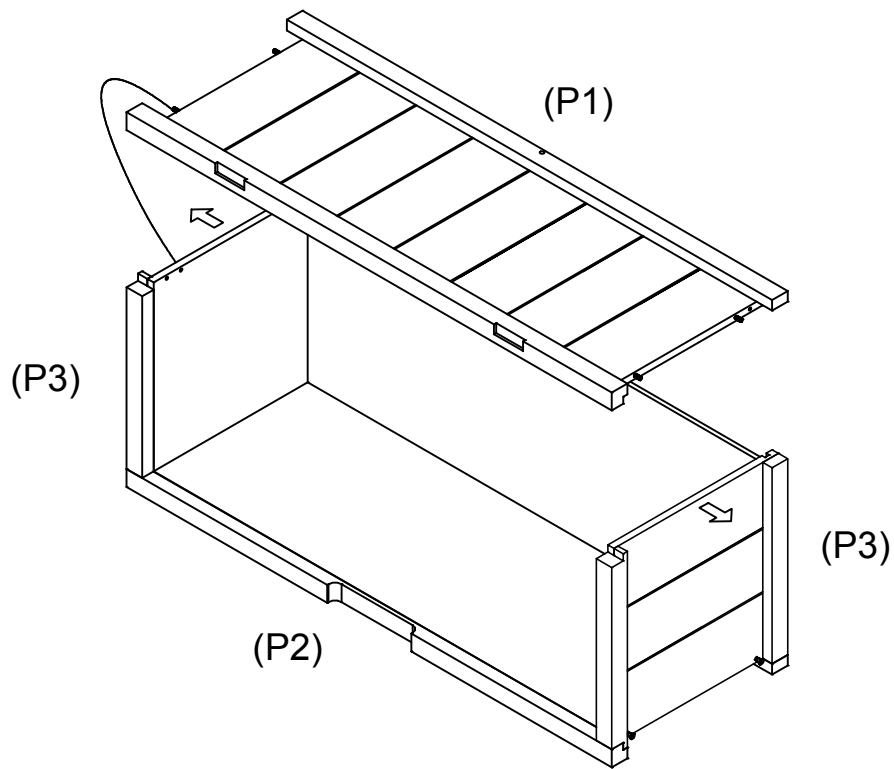
Attach Support Bar (P5) with Front Panel (P2). Align dowels in right holes.

# Step 4



Insert Bottom Panel (P4) into the grooves of Front Panel (P2) and Side Panels (P3).

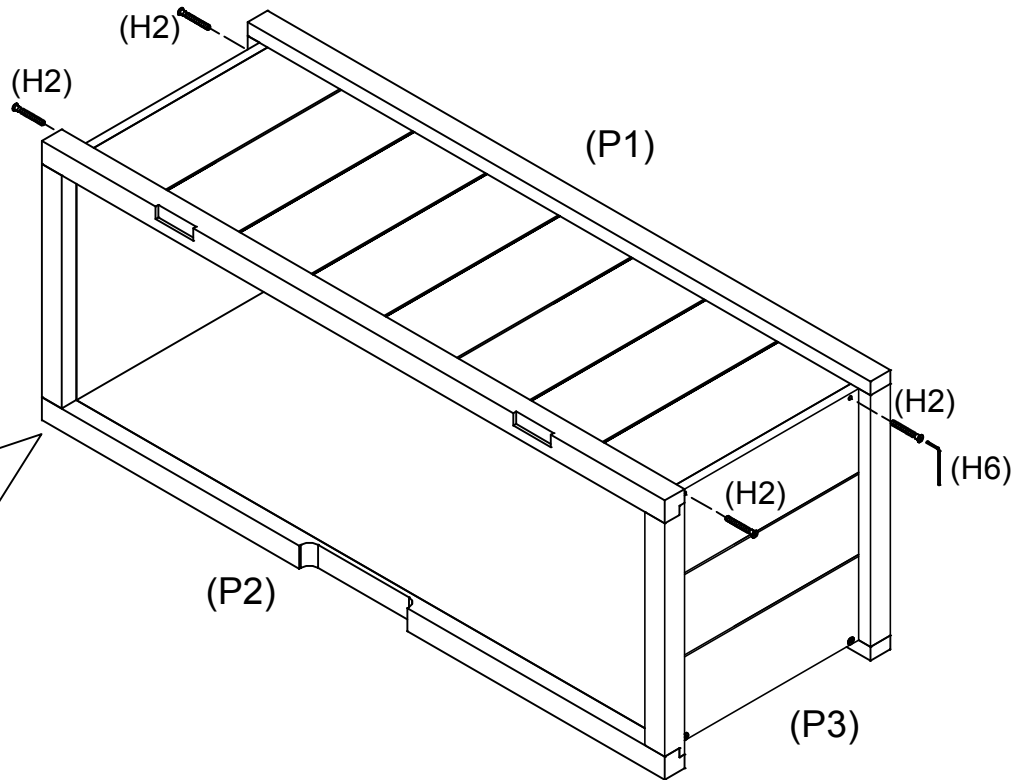
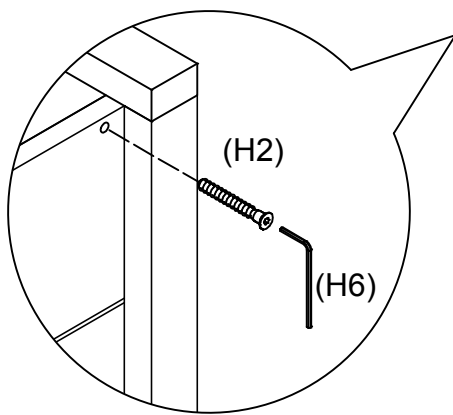
# Step 5



Attach Back Panel (P1) to 2 x Side Panels (P3). Move Side panels (P3) out a little to allow the dowels in the Back Panel (P1) to align with the holes in the Side Panels (P3). Align dowels on Support Bar (P5) in holes on Back Panel (P1). Make sure the Bottom Panel inserts into the grooves of Side Panels.

# Step 6



You will need:	
4 x Hex Bolts (H2)	
1 x Allen Key (H6)	

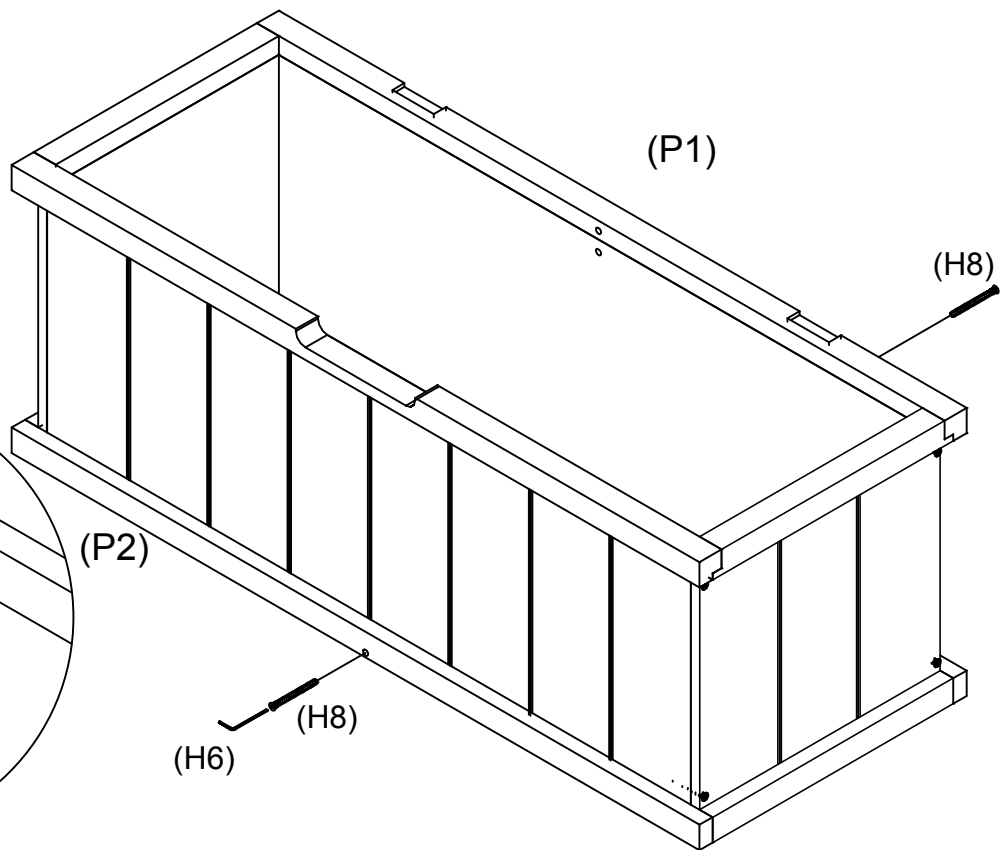


Insert 4 x Hex Bolts (H2) into holes on Side Panels (P3), and fasten them with Allen Key (H6). Now, firmly tighten all the Hex Bolts.

# Step 7

You will need:



2 x Long Hex Bolts (H8)	
1 x Allen Key (H6)	

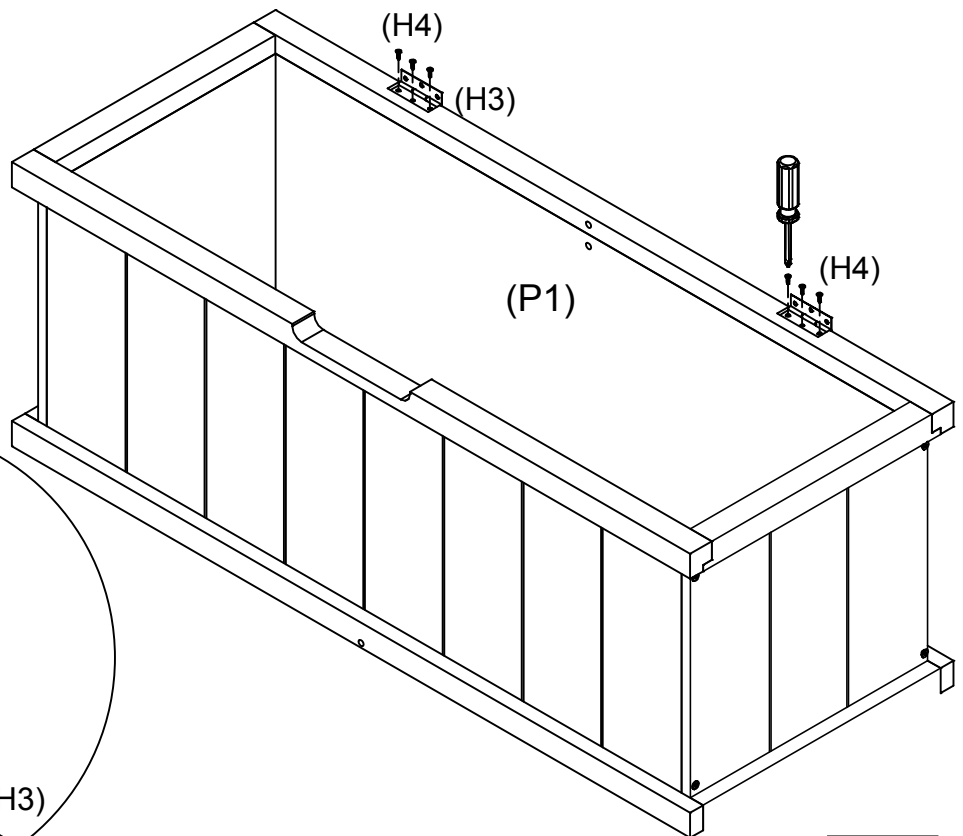


Insert 2 x Long Hex Bolts (H8) into holes on Front Panel (P2) and Back Panel (P1), and fasten them with Allen Key (H6).

# Step 8

You will need:

6 x Wood screws (H4)	
2 x Hinges (H3)	



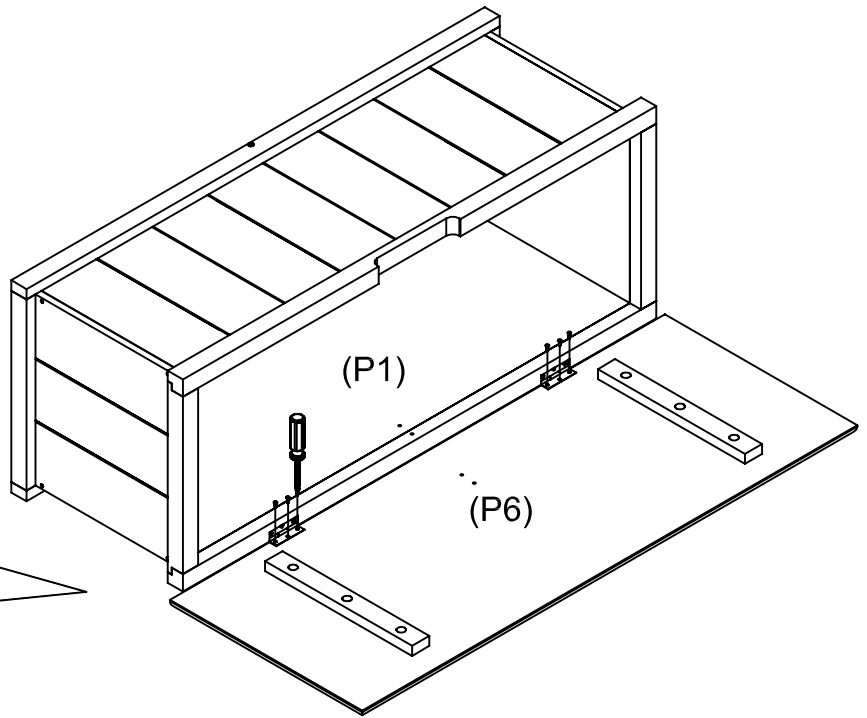
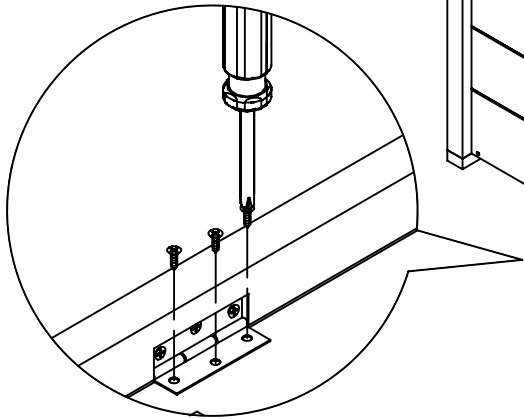
Fix 2 x Hinges (H3) to Back Panel (P1) with 6 x Wood Screws (H4). Tighten all Screws with Phillips head screwdriver.



## Step 9

You will need:

6 x Wood  
screws  
(H4)

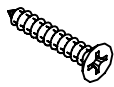


Connect Top Panel (P6) with Back Panel (P1) using 6 x Wood Screws (H4) into pre-drilled holes in the Top Panel.

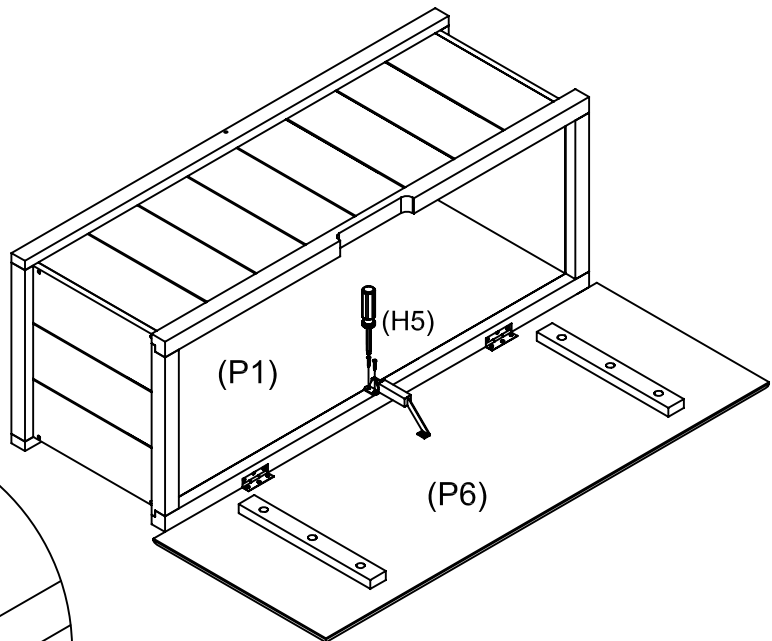
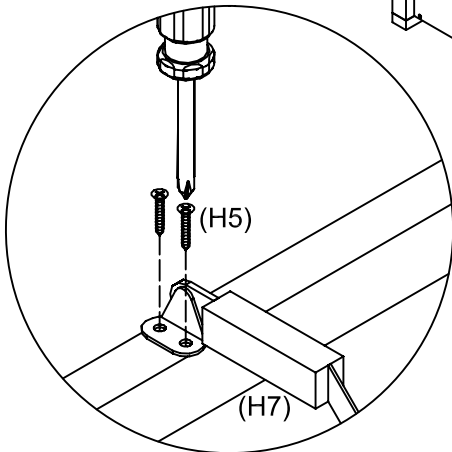
## Step 10

You will need:

2 x Wood  
screws  
(H5)



1 x Support  
Hinge  
(H7)



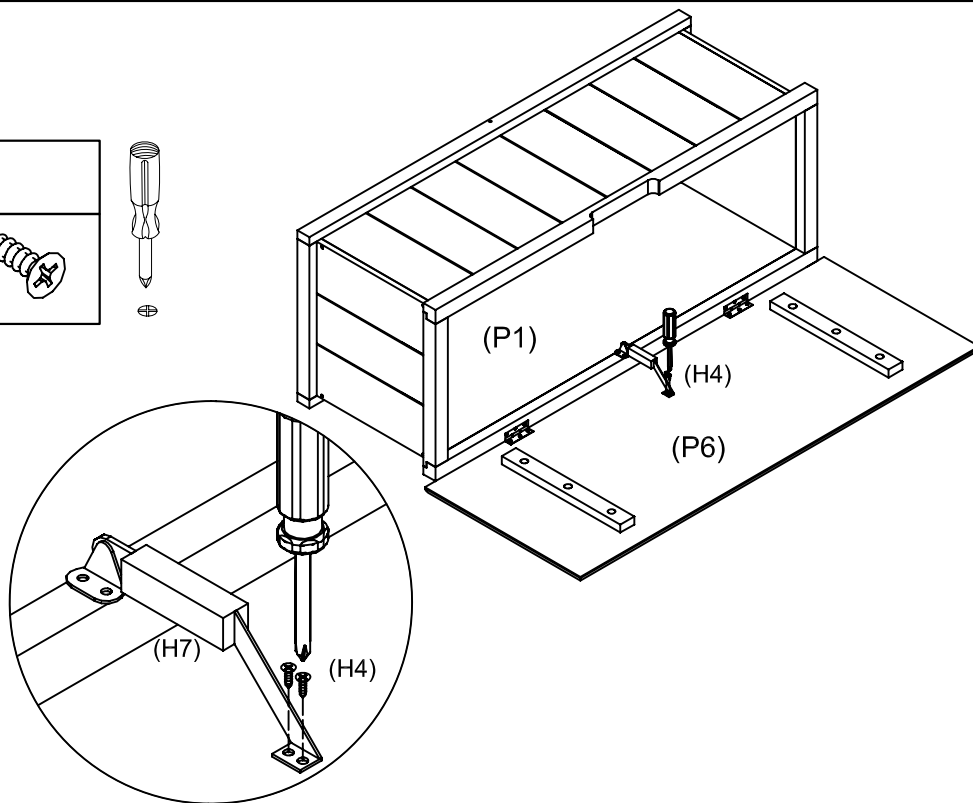
Note: Please be careful to insert the screws at the correct angle and make sure the hinge is fitted firmly and correctly before use.

Fix Support Hinge (H7) to Back Panel (P1) with 2 x Wood Screws (H5). Tighten all Screws with phillips screwdriver.

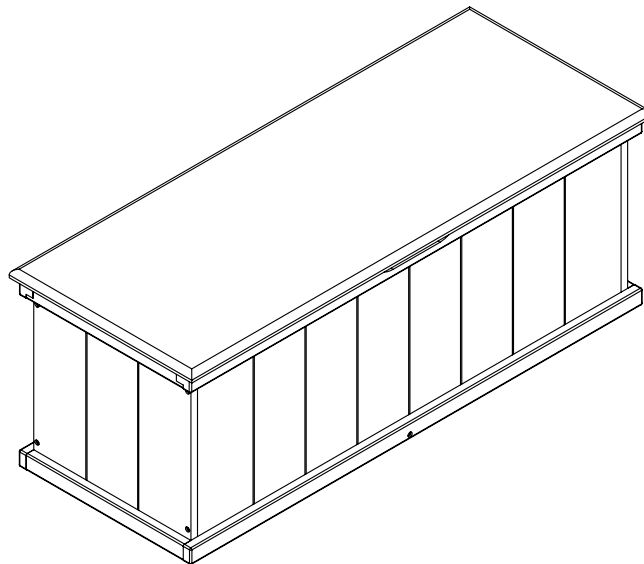
## Step 11

You will need:

2 x Wood  
screws  
(H4)



Fix Support Hinge (H7) to Top Panel (P6) with 2 x Wood Screws (H4) . Tighten all Screws with phillips screwdriver.



## Job Complete!

In the interest of our environment  
please dispose of all packing thoughtfully.

